



US00D678433S

(12) **United States Design Patent**
Judkins et al.

(10) **Patent No.:** **US D678,433 S**
(45) **Date of Patent:** **** Mar. 19, 2013**

(54) **CHARACTER EYES CONFIGURATION**

D470,200 S * 2/2003 Manville D21/658
D524,882 S 7/2006 Maddocks et al.
D566,794 S 4/2008 Judkins et al.
D595,365 S 6/2009 Wilk et al.

(75) Inventors: **Daniel Judkins**, Providence, RI (US);
Kristofer Paulson, Providence, RI (US)

* cited by examiner

(73) Assignee: **Hasbro, Inc.**, Pawtucket, RI (US)

Primary Examiner — Sandra Morris

(**) Term: **14 Years**

(74) *Attorney, Agent, or Firm* — Perry Hoffman

(21) Appl. No.: **29/411,041**

(57) **CLAIM**

(22) Filed: **Jan. 16, 2012**

The ornamental design for a character eyes configuration, as shown and described.

(51) **LOC (9) Cl.** **21-01**

(52) **U.S. Cl.** **D21/661**

(58) **Field of Classification Search** D6/598;
D11/158; D21/576–578, 585–588, 623,
D21/630, 658–661; D30/160; 446/72, 97–98,
446/268–269; D16/306, 317
See application file for complete search history.

DESCRIPTION

(56) **References Cited**

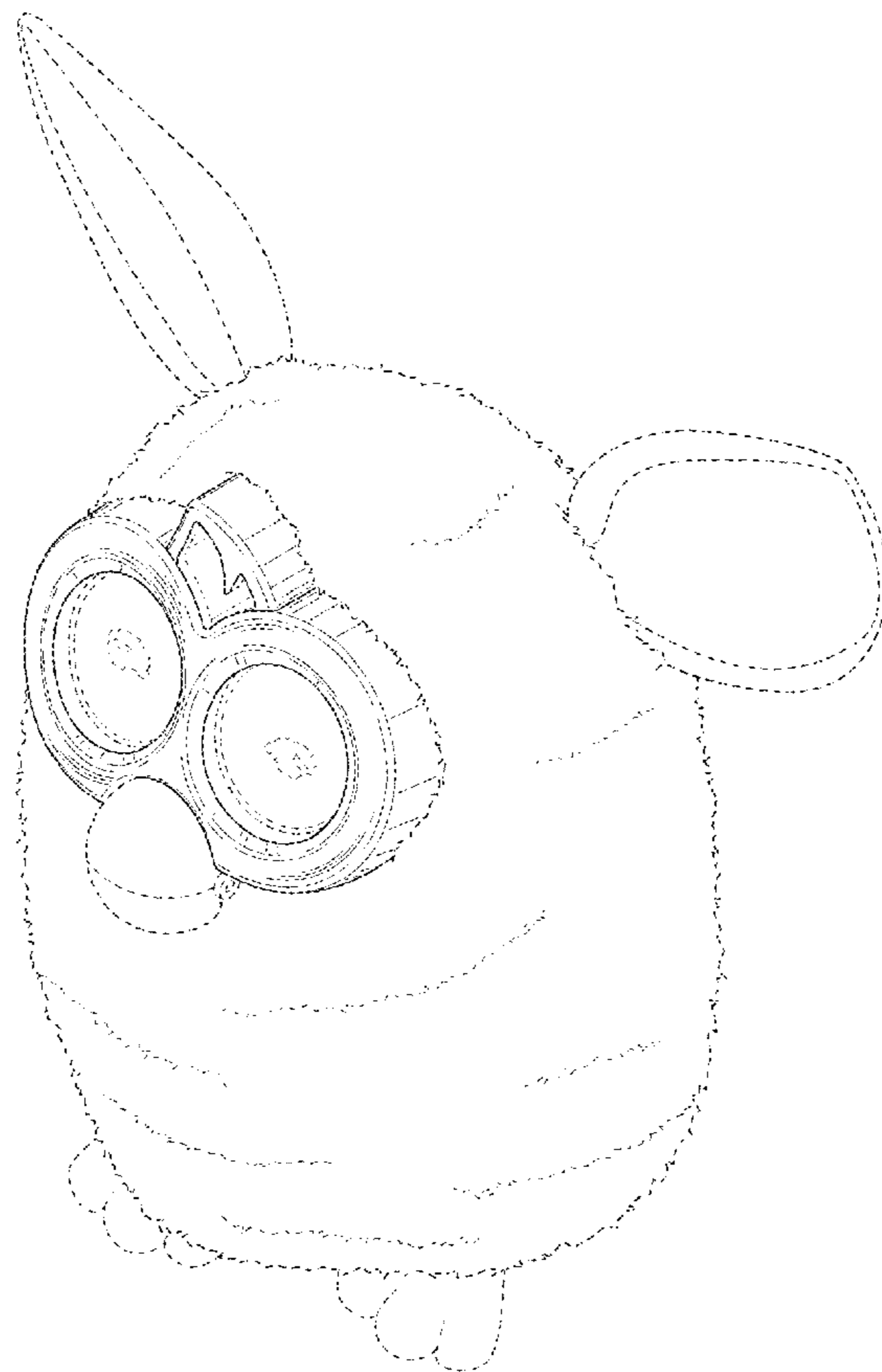
U.S. PATENT DOCUMENTS

D177,082 S * 3/1956 Wolf D21/660
D202,742 S * 11/1965 Harley D16/317
D204,700 S * 5/1966 Glass et al. D16/317
D403,368 S 12/1998 Brown
D423,611 S 4/2000 Hampton et al.
D430,626 S 9/2000 Cortez
D448,434 S 9/2001 Hornsby et al.

FIG. 1 is a perspective view of the character eyes configuration of the instant invention;
FIG. 2 is a right side elevational view thereof;
FIG. 3 is a left side elevational view thereof;
FIG. 4 is a front view thereof;
FIG. 5 is a rear view thereof;
FIG. 6 is a top view thereof;
FIG. 7 is a bottom view thereof; and,
FIG. 8 is another perspective view thereof.

The broken lines shown are included for the purpose of illustrating the unclaimed portions of the article and form no part of the claimed design.

1 Claim, 5 Drawing Sheets



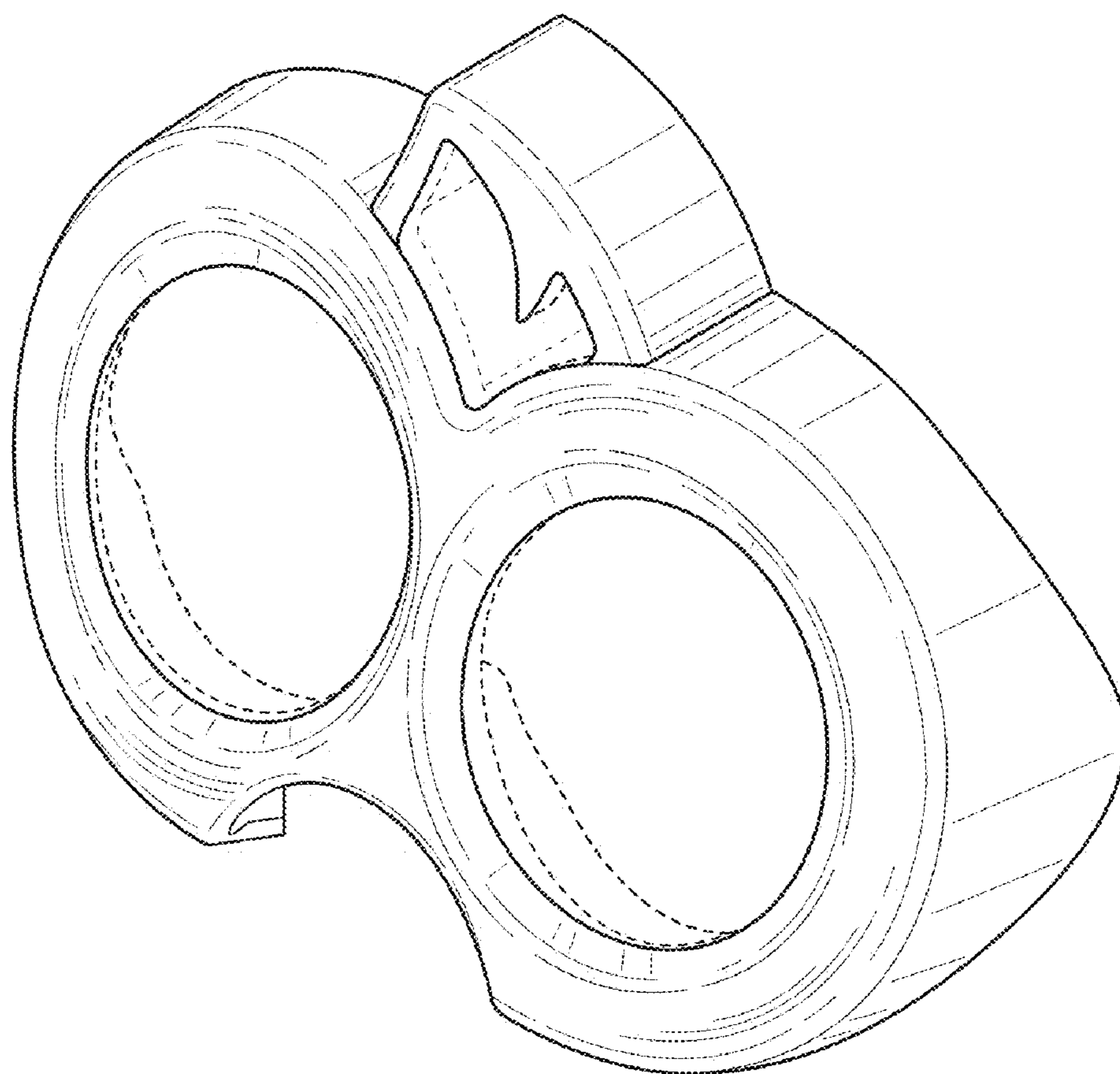


FIG. 1

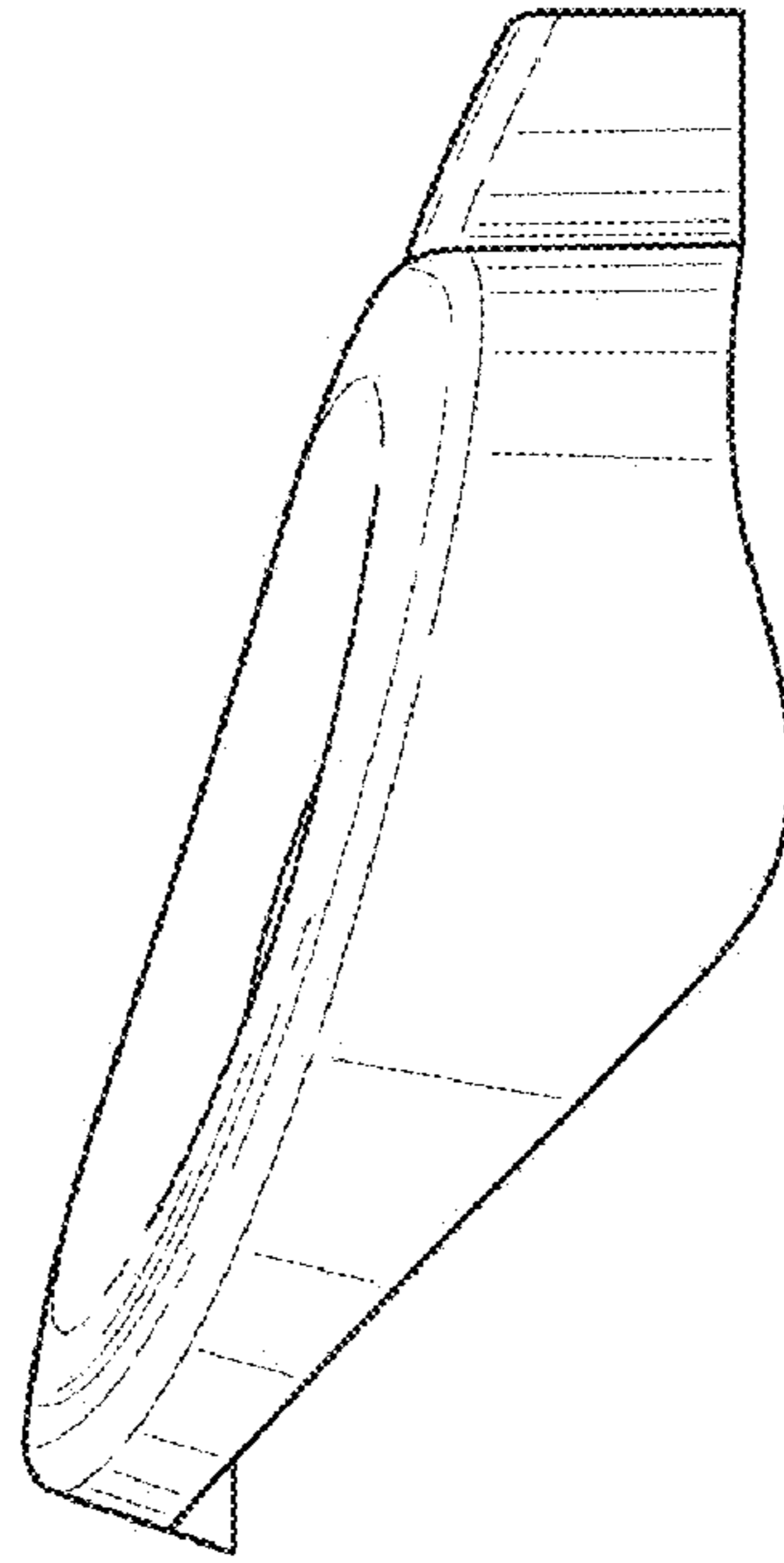


FIG. 2

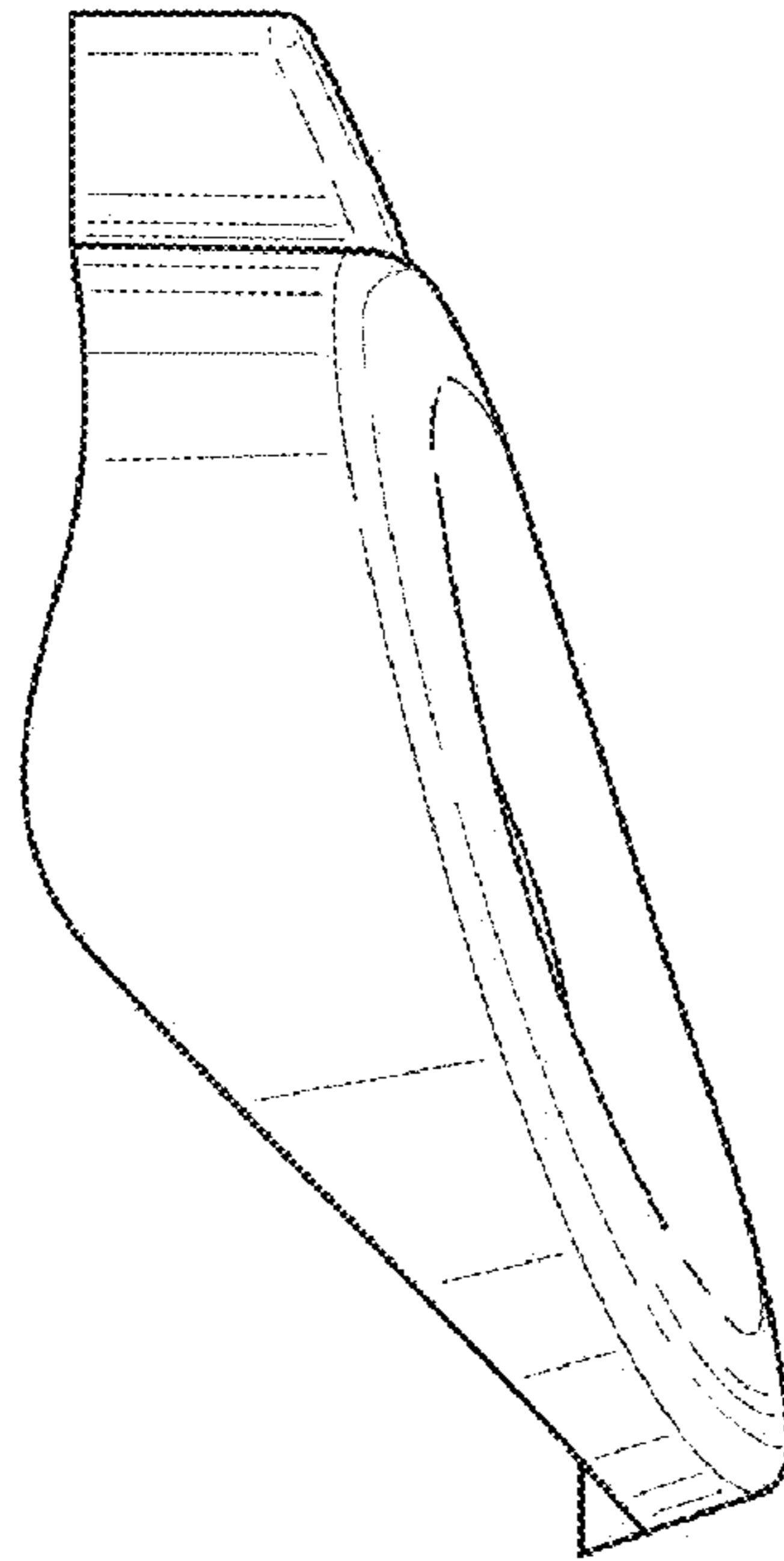


FIG. 3

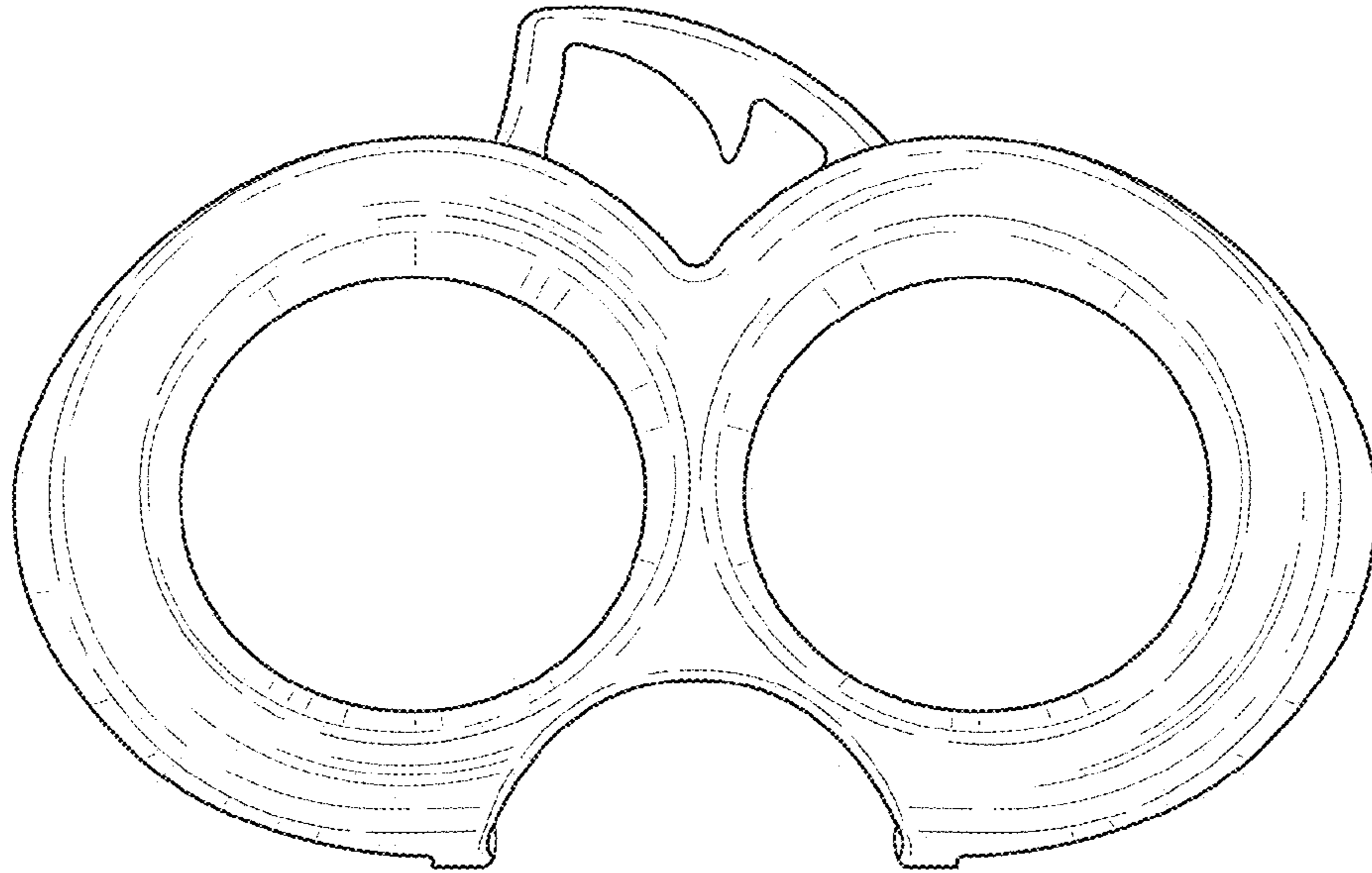


FIG. 4

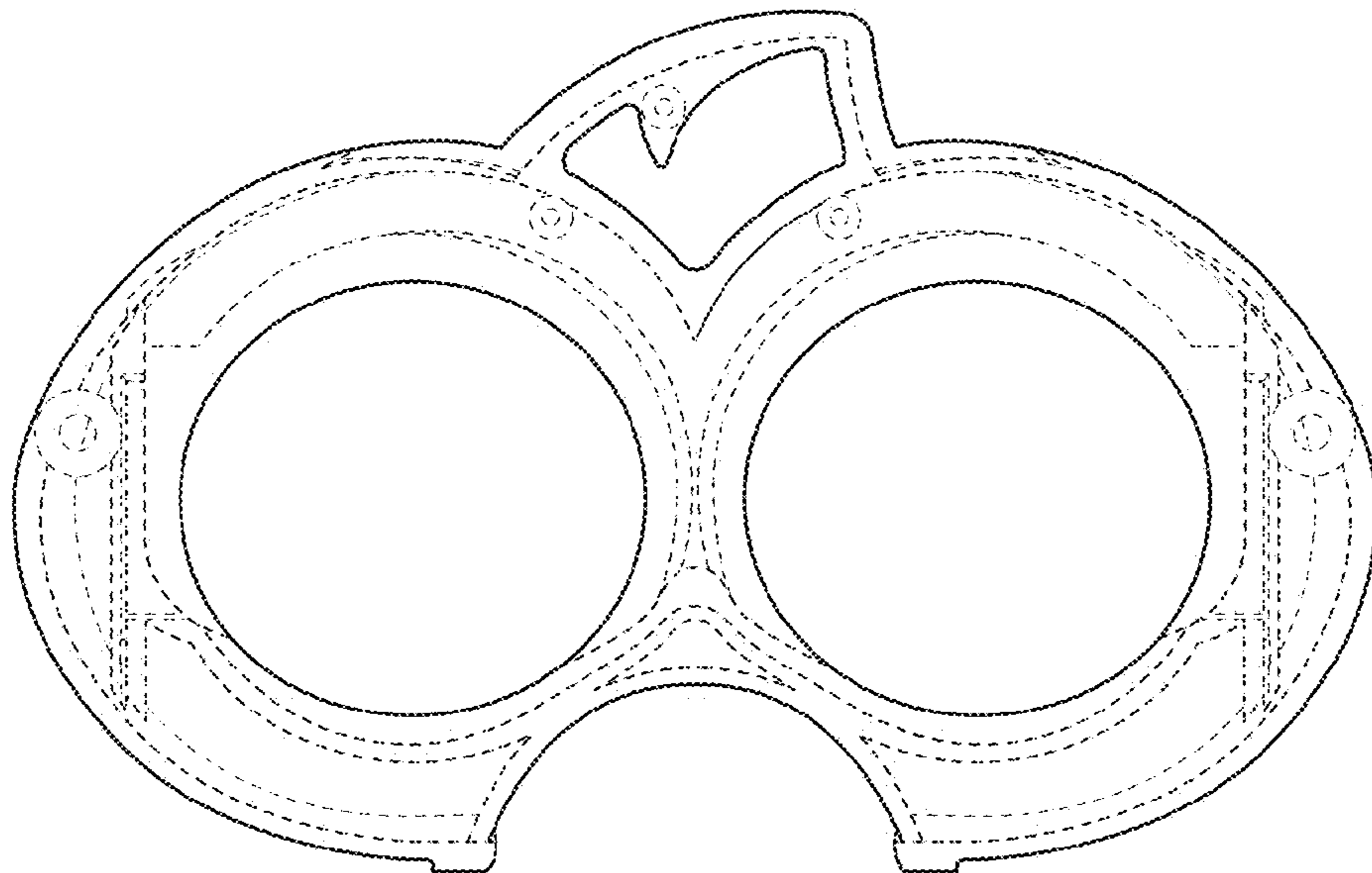


FIG. 5

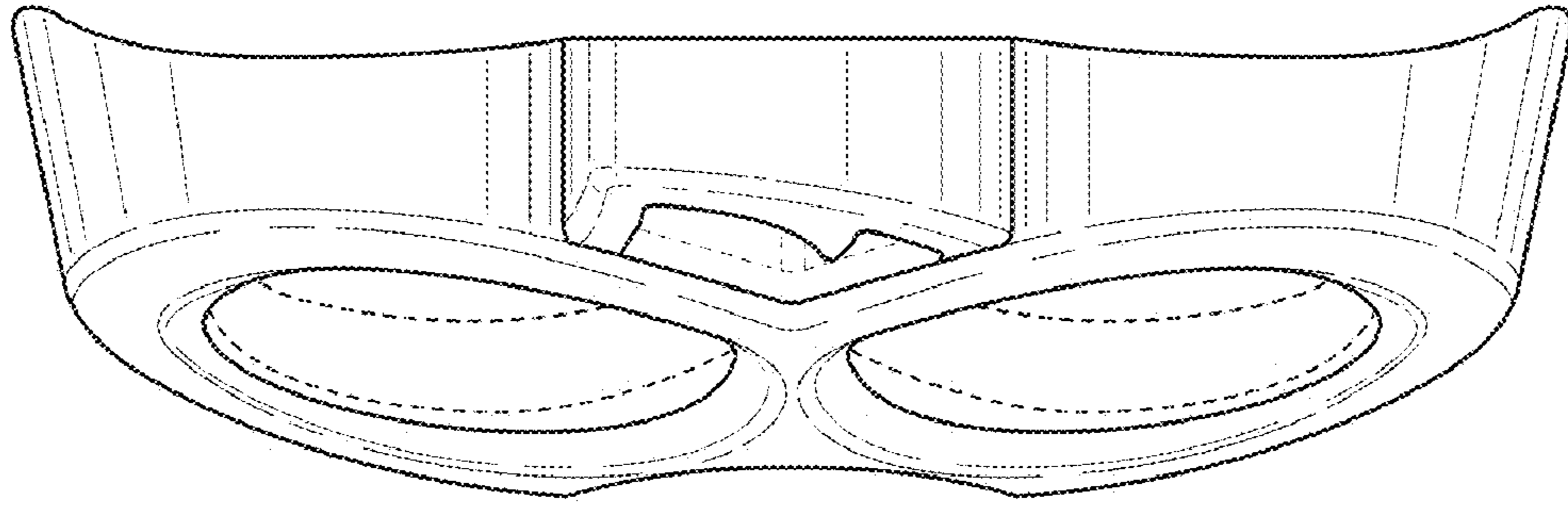


FIG. 6

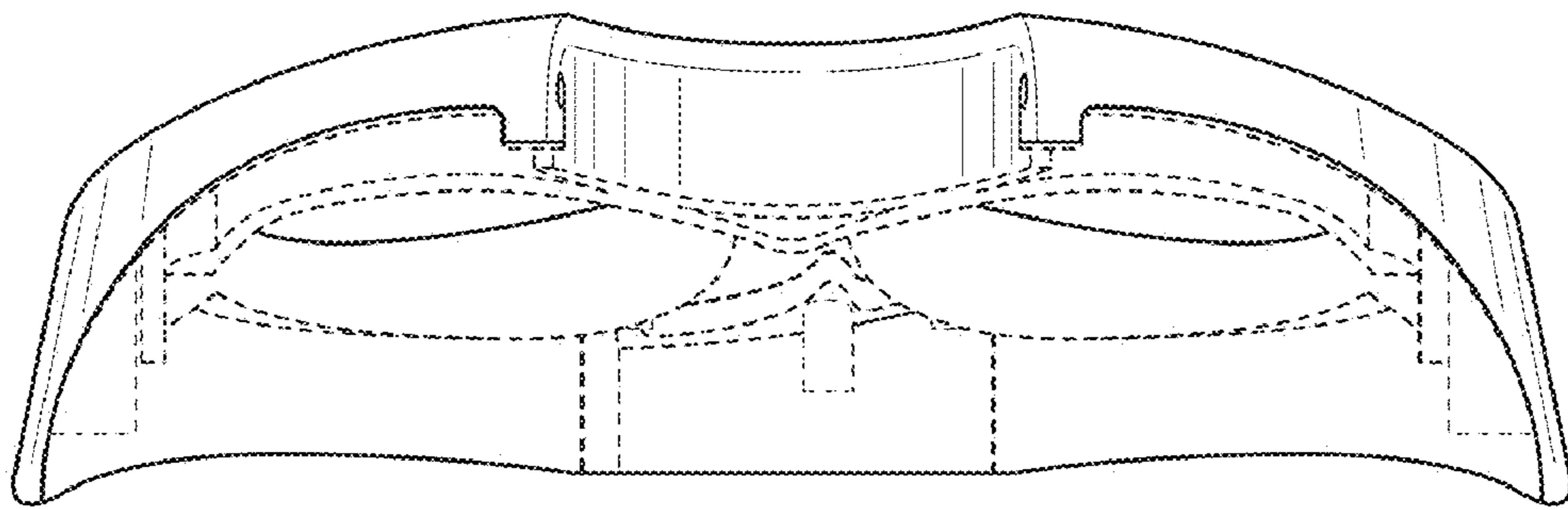


FIG. 7

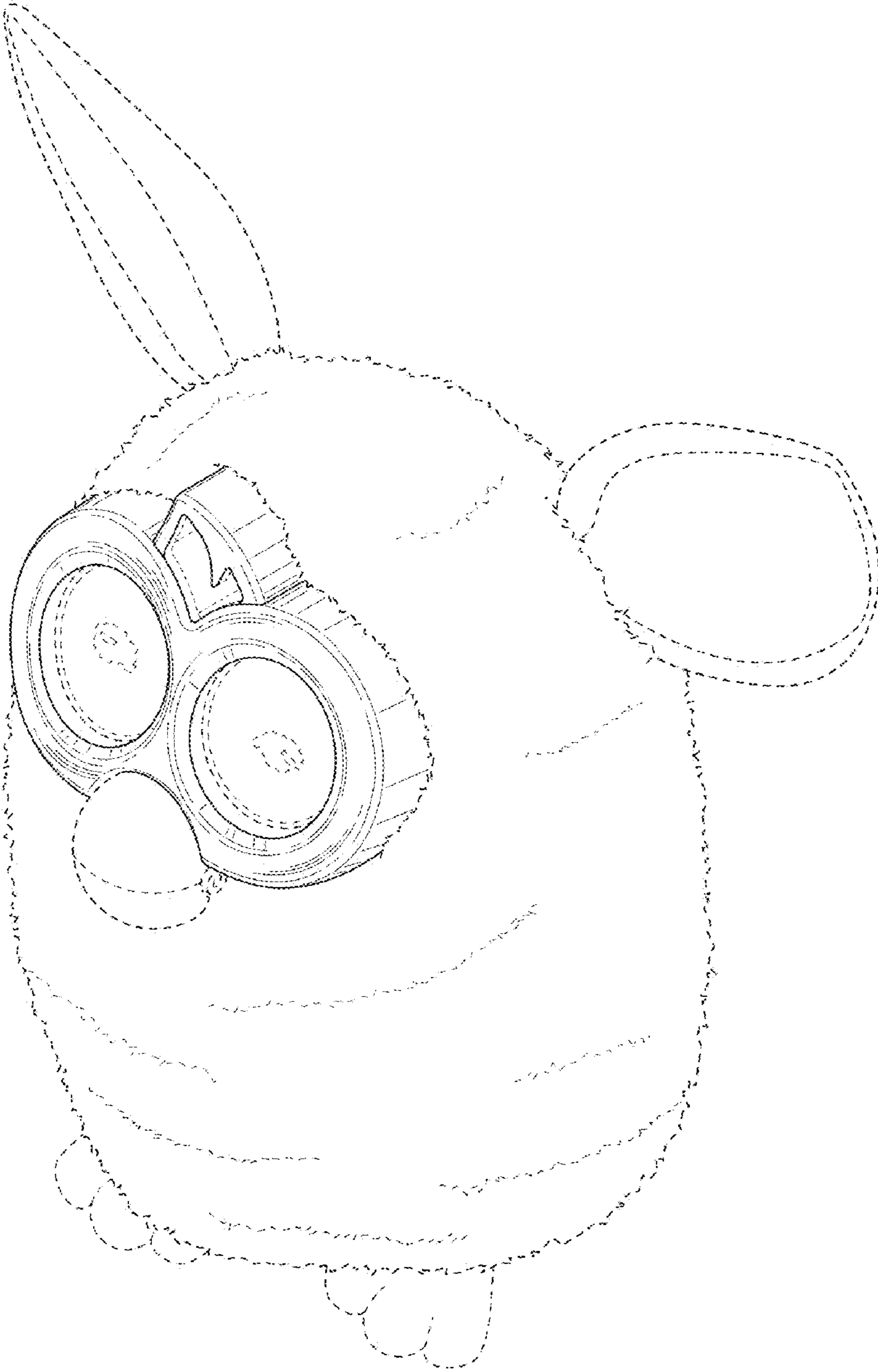


FIG. 8