



US00D678427S

(12) **United States Design Patent**
Wilson

(10) **Patent No.:** **US D678,427 S**
(45) **Date of Patent:** **** Mar. 19, 2013**

- (54) **SQUIRT GUN**
- (71) Applicant: **Kyle S. Wilson**, Sandy, UT (US)
- (72) Inventor: **Kyle S. Wilson**, Sandy, UT (US)
- (**) Term: **14 Years**
- (21) Appl. No.: **29/434,143**
- (22) Filed: **Oct. 10, 2012**

Related U.S. Application Data

- (60) Division of application No. 29/415,133, filed on Mar. 7, 2012, which is a continuation-in-part of application No. 29/395,174, filed on Dec. 12, 2011.
- (51) **LOC (9) Cl.** **21-01**
- (52) **U.S. Cl.** **D21/572**
- (58) **Field of Classification Search** D21/401, D21/567, 575; D22/100, 103, 104, 105; D23/231; 446/175, 176, 180, 473; 222/78, 222/79; 239/211, 222.11, 237, 329, 373, 239/525, 526; 124/63-65, 69, 73-75
See application file for complete search history.

(56) **References Cited**

U.S. PATENT DOCUMENTS

- D164,657 S * 9/1951 Tovel D21/574
- D169,440 S * 4/1953 Hirsch D21/574
- D192,474 S * 3/1962 Benkoe D21/574

- 3,919,799 A * 11/1975 Austin et al. D21/573
- D261,786 S * 11/1981 Steinberg D21/574
- D302,848 S * 8/1989 Kao D23/226
- D309,759 S * 8/1990 Mak D21/401
- D358,178 S * 5/1995 O'Dell D21/385
- D477,642 S * 7/2003 Byrd D21/574
- D488,521 S * 4/2004 Byrd D21/574
- D522,070 S * 5/2006 Hunter et al. D21/570
- D617,398 S * 6/2010 Selevan D21/572

* cited by examiner

Primary Examiner — Cynthia M Chin

(74) *Attorney, Agent, or Firm* — Bateman IP

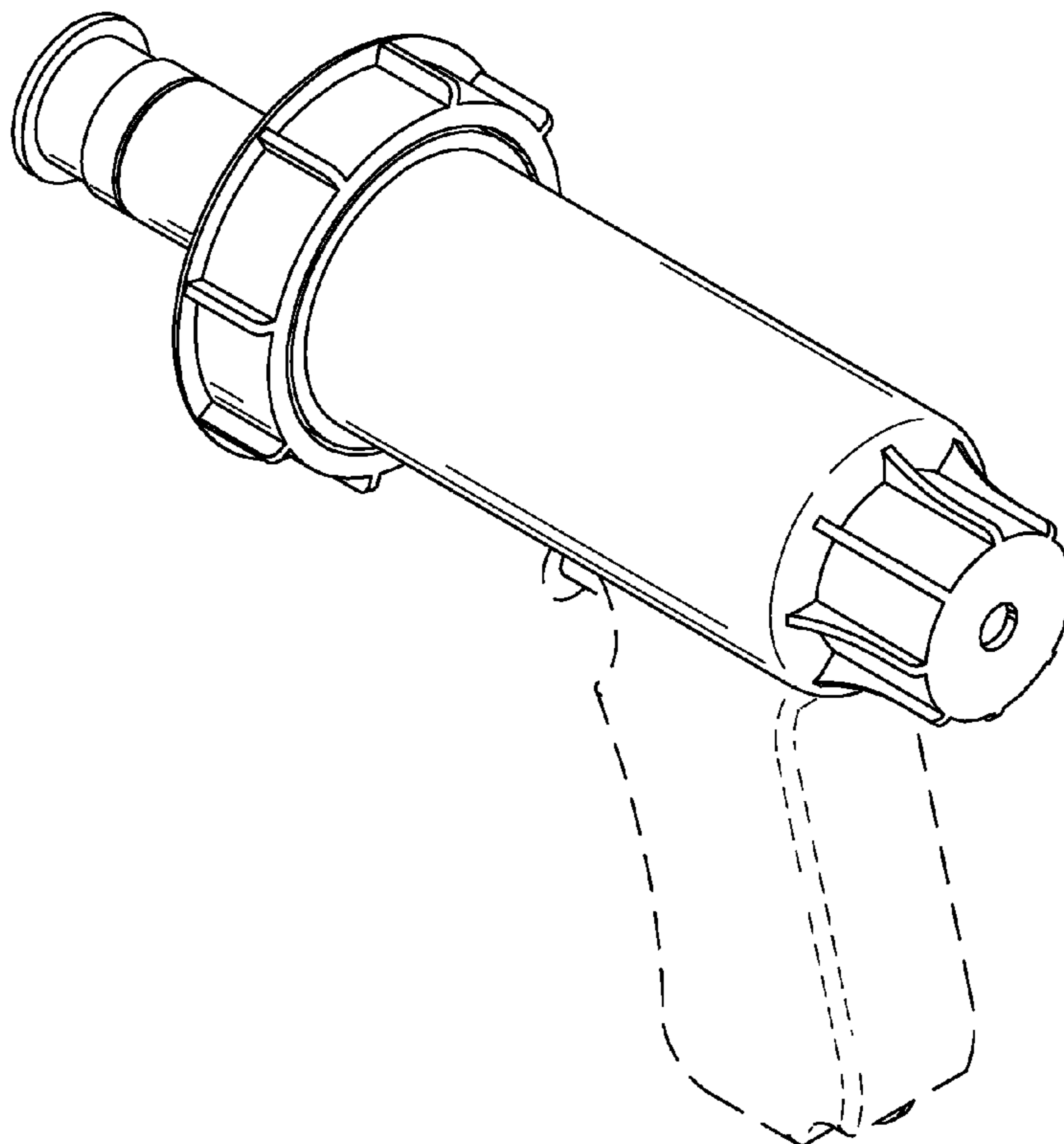
(57) **CLAIM**

The ornamental design for a squirt gun, as shown and described.

DESCRIPTION

FIG. 1 shows a perspective view of a squirt gun of the present invention;
 FIG. 2 shows a left side view of the squirt gun of FIG. 1;
 FIG. 3 shows a right side view of the squirt gun of FIG. 1;
 FIG. 4 shows a top view of the squirt gun of FIG. 1;
 FIG. 5 shows a bottom view of the squirt gun of FIG. 1;
 FIG. 6 shows a front view of the squirt gun of FIG. 1; and,
 FIG. 7 shows a back view of the squirt gun of FIG. 1.
 The broken lines represent portions of the article that form no part of the claim.

1 Claim, 4 Drawing Sheets



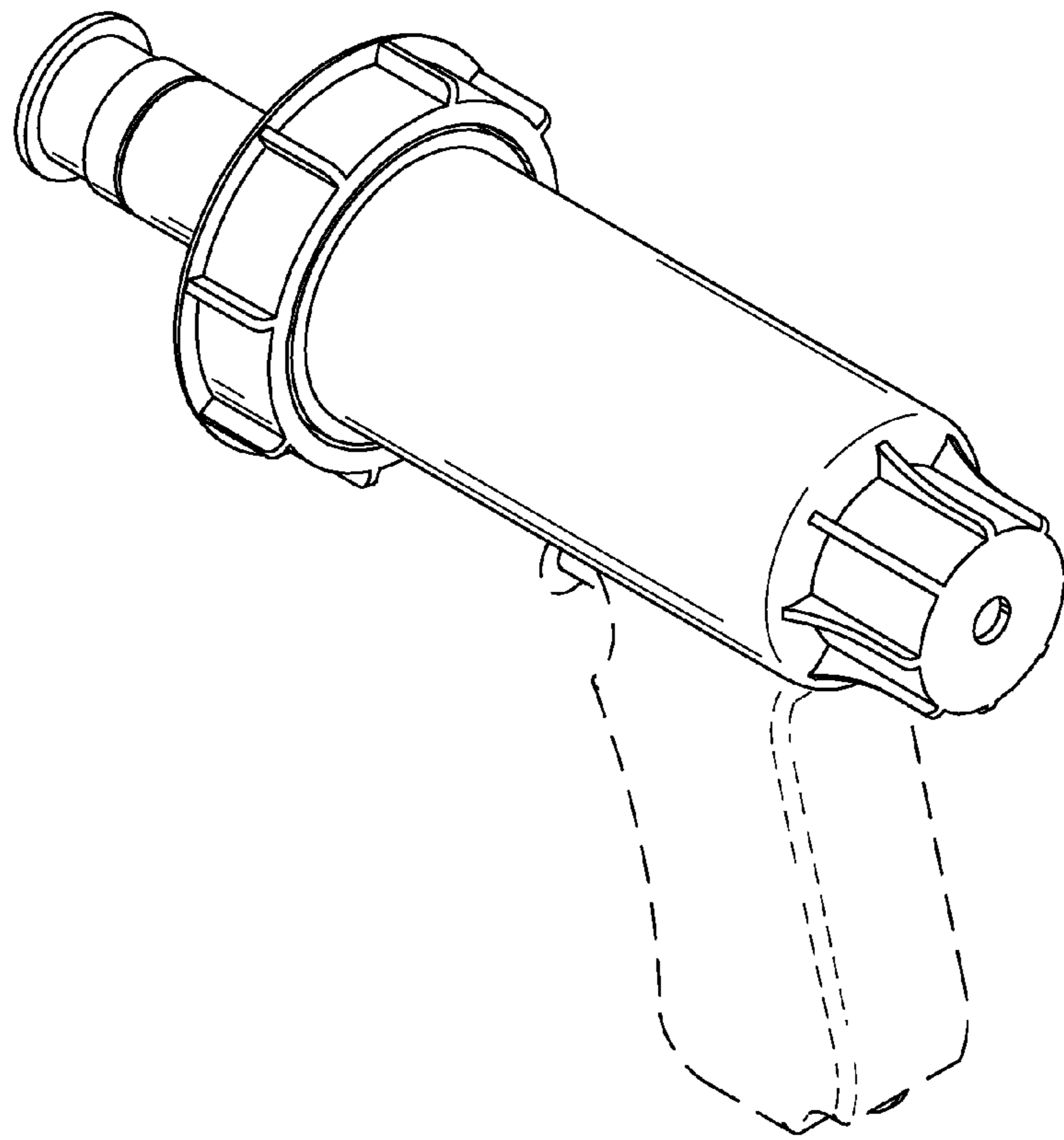


FIG. 1

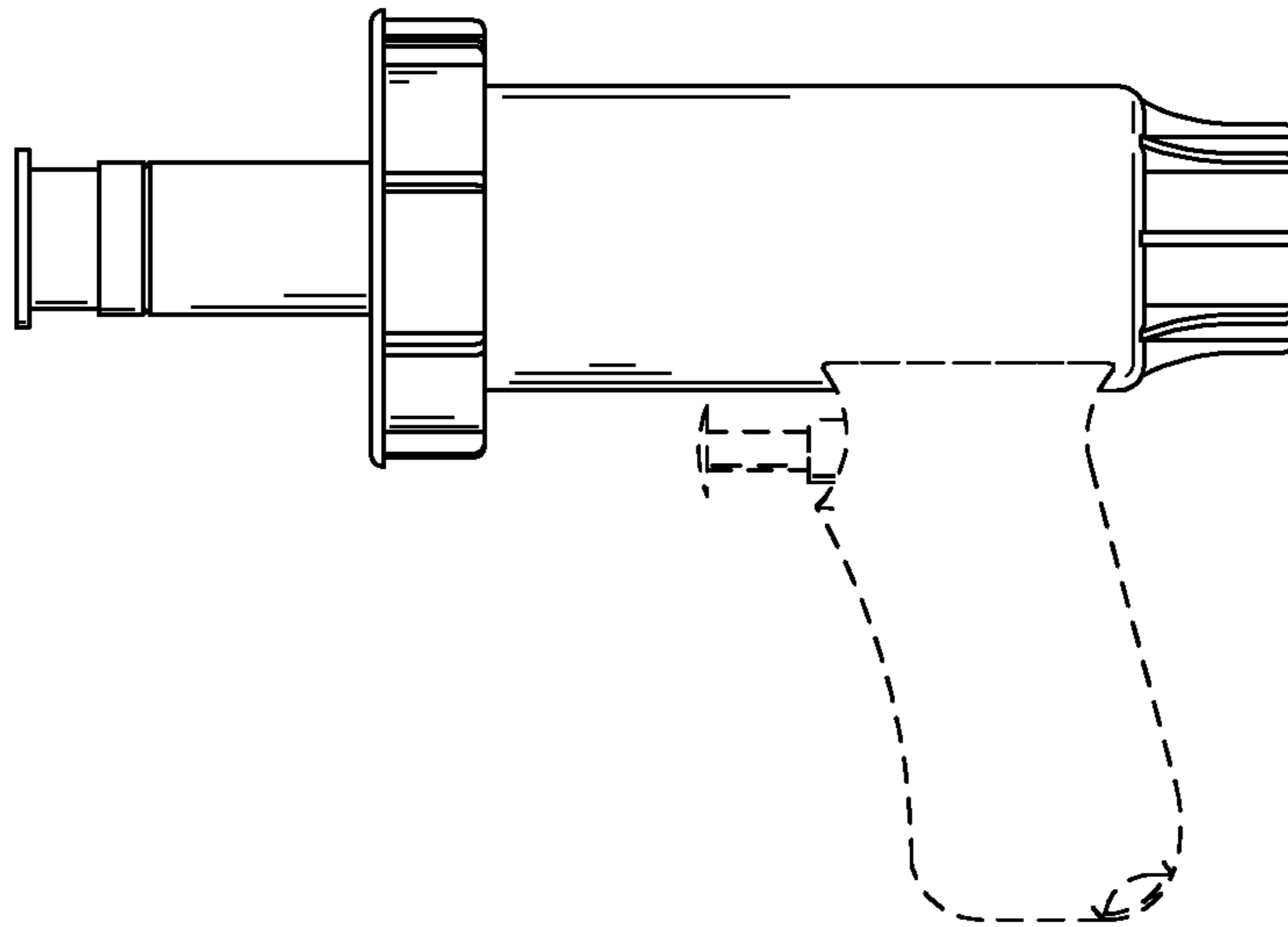


FIG. 2

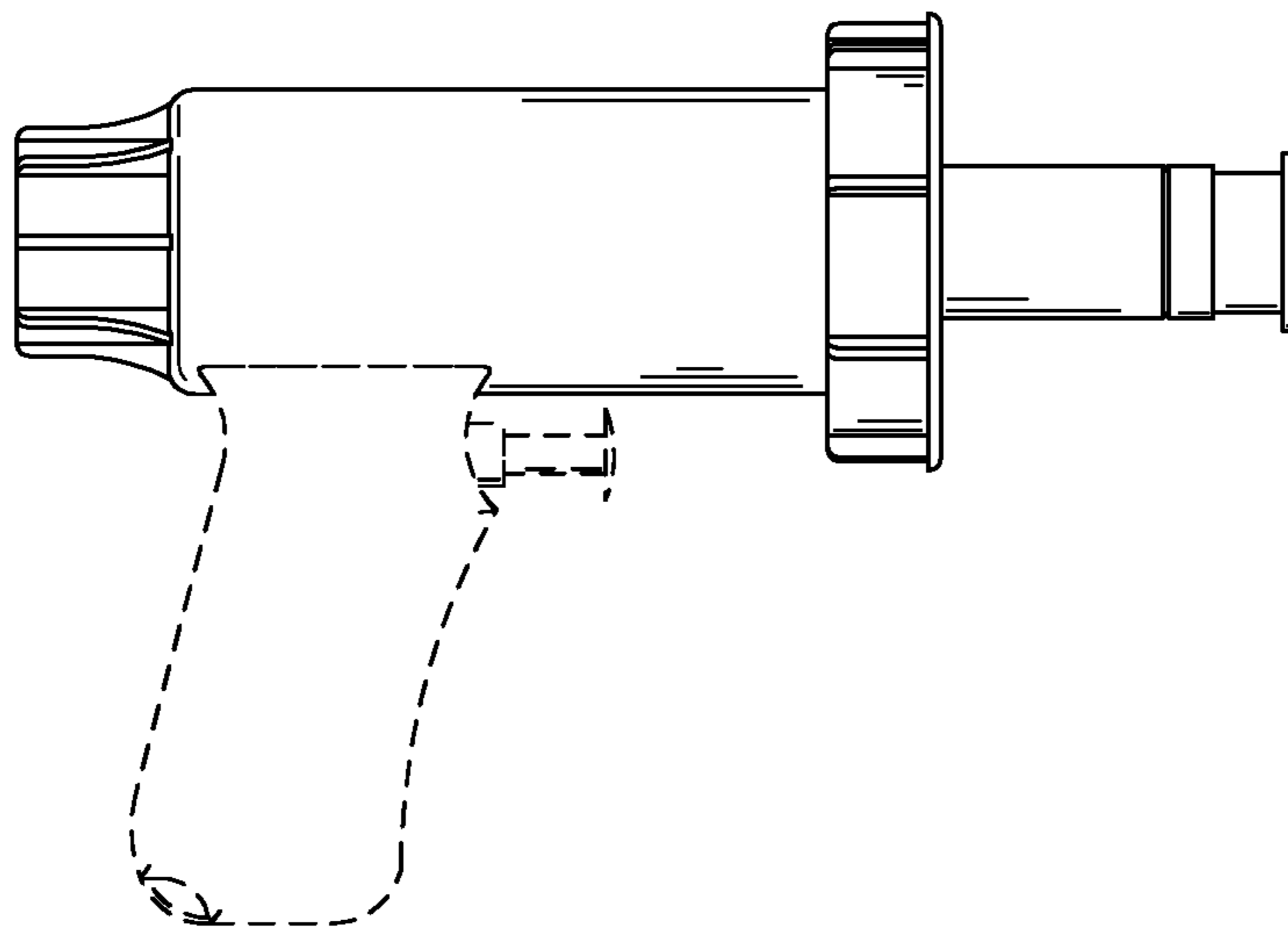


FIG. 3

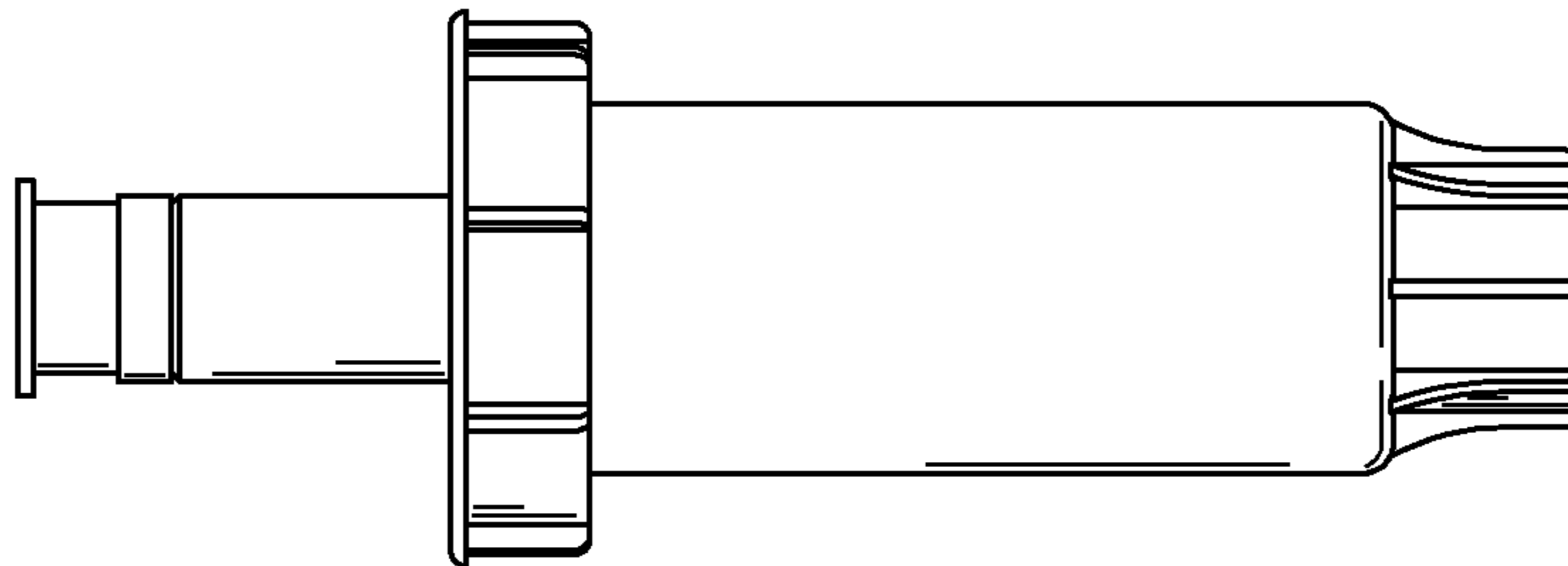


FIG. 4

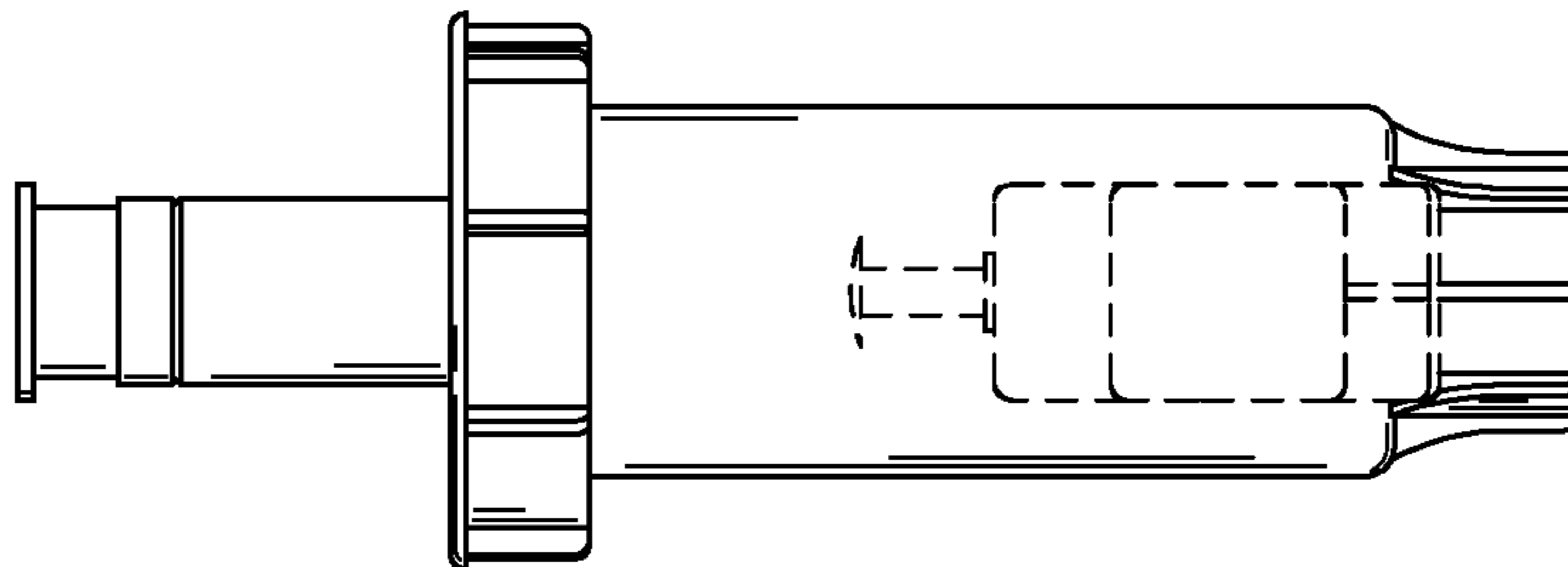


FIG. 5

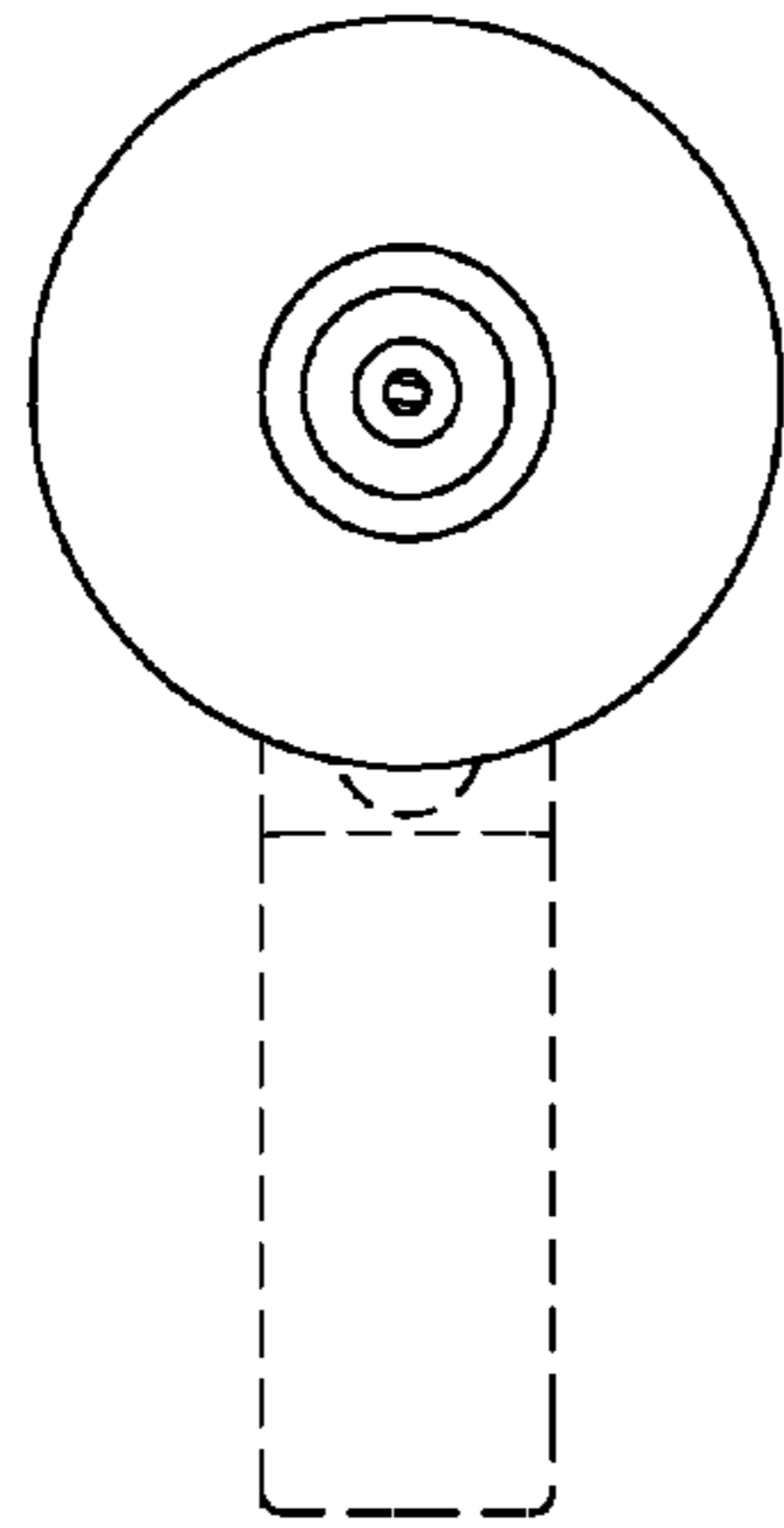


FIG. 6

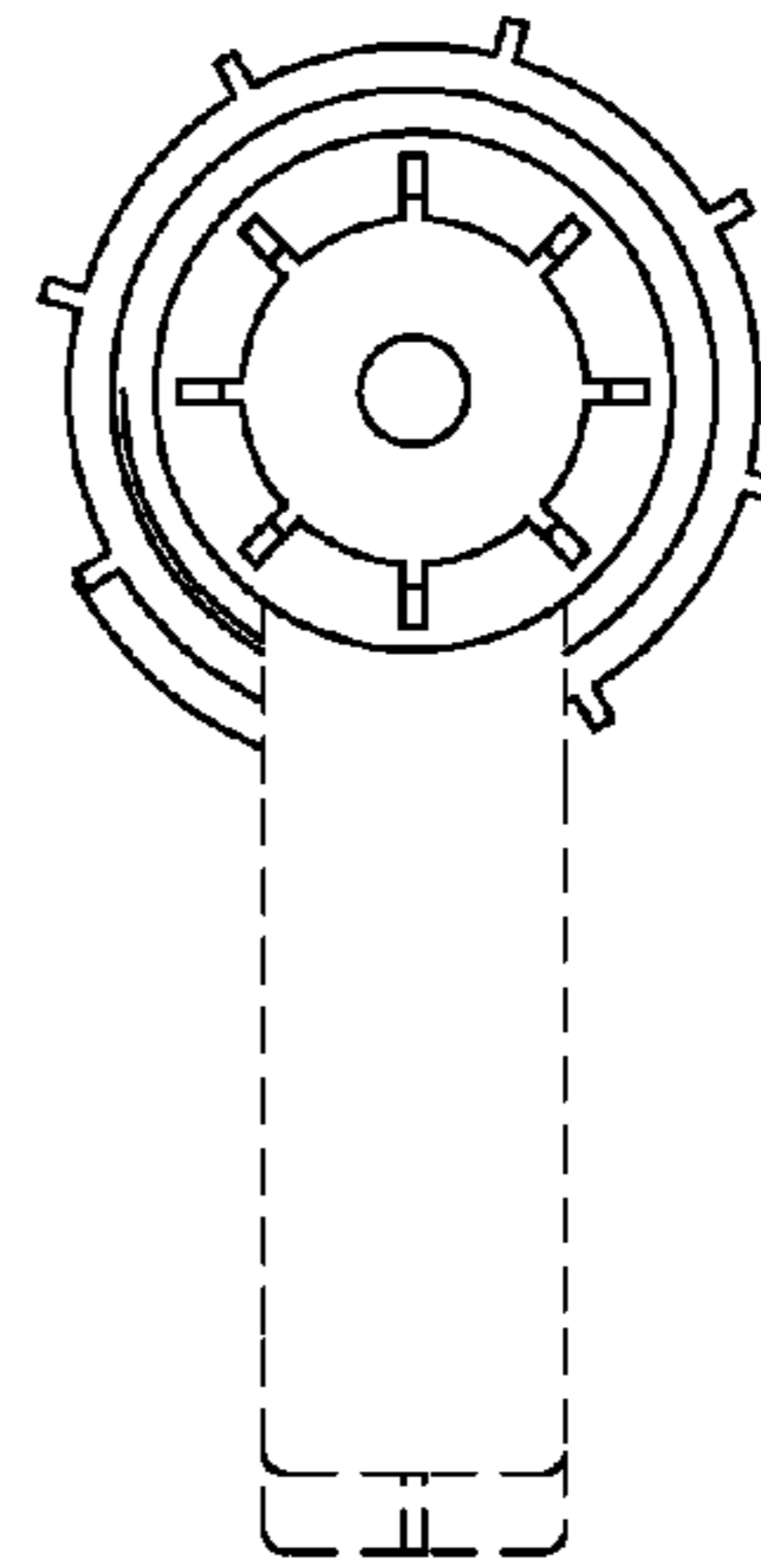


FIG. 7