



US00D678426S

(12) **United States Design Patent**  
**Lee**

(10) **Patent No.:** **US D678,426 S**  
(45) **Date of Patent:** **\*\* Mar. 19, 2013**

(54) **TOY VEHICLE**

(76) Inventor: **Wen-Hsien Lee**, Xindian (TW)

(\*\*) Term: **14 Years**

(21) Appl. No.: **29/380,571**

(22) Filed: **Dec. 8, 2010**

(51) **LOC (9) Cl.** ..... **21-01**

(52) **U.S. Cl.** ..... **D21/552**

(58) **Field of Classification Search** ..... D21/76,  
D21/78, 79, 128, 134, 136, 137, 139, 140,  
D21/135, 131, 166, 148, 537, 539, 580; D15/20;  
D12/1, 12; 46/101, 111, 201, 202, 222, 223;  
180/20; 242/557

See application file for complete search history.

Geek Alerts: Gadgets for Geeks. OWI Robotics 3-in-1 All Terrain Robot (ATR). Feb. 22, 2011 [online], [retrieved on Sep. 13, 2012]. Retrieved from the Internet <URL: <http://www.geekalerts.com/owi-robotics-all-terrain-robot-atr/>>.\*  
RED5stores. 3 in 1 All Terrain Robot. YouTube. May 19, 2011 [online], [retrieved on Sep. 13, 2012]. Retrieved from the Internet <URL: <http://www.youtube.com/watch?v=DU0kEuhkdVs>>.\*

\* cited by examiner

*Primary Examiner* — Philip S Hyder

*Assistant Examiner* — Darlington Ly

(74) *Attorney, Agent, or Firm* — patenttm.us

(57) **CLAIM**

The ornamental design for a toy vehicle, as shown and described.

(56) **References Cited**

**U.S. PATENT DOCUMENTS**

D191,793	S	*	11/1961	Alvaney	.....	D21/539
D250,907	S	*	1/1979	Appel	.....	D21/539
D252,228	S	*	6/1979	Asano	.....	D21/537
D260,792	S	*	9/1981	Jones et al.	.....	D21/539
D261,787	S	*	11/1981	Breneman	.....	D21/537
D288,341	S	*	2/1987	Ohno	.....	D21/580
D289,187	S	*	4/1987	Ohno	.....	D21/580
D290,630	S	*	6/1987	Kitamura	.....	D21/580
4,714,140	A	*	12/1987	Hatton et al.	.....	180/20
D592,682	S	*	5/2009	Haubrich et al.	.....	D15/20
D607,473	S	*	1/2010	Haubrich et al.	.....	D15/20
2006/0071116	A1	*	4/2006	Quenneville et al.	.....	242/557

**FOREIGN PATENT DOCUMENTS**

CN	201415059	Y	*	3/2010
JP	2007331687	A	*	12/2007
JP	2010202027	A	*	9/2010

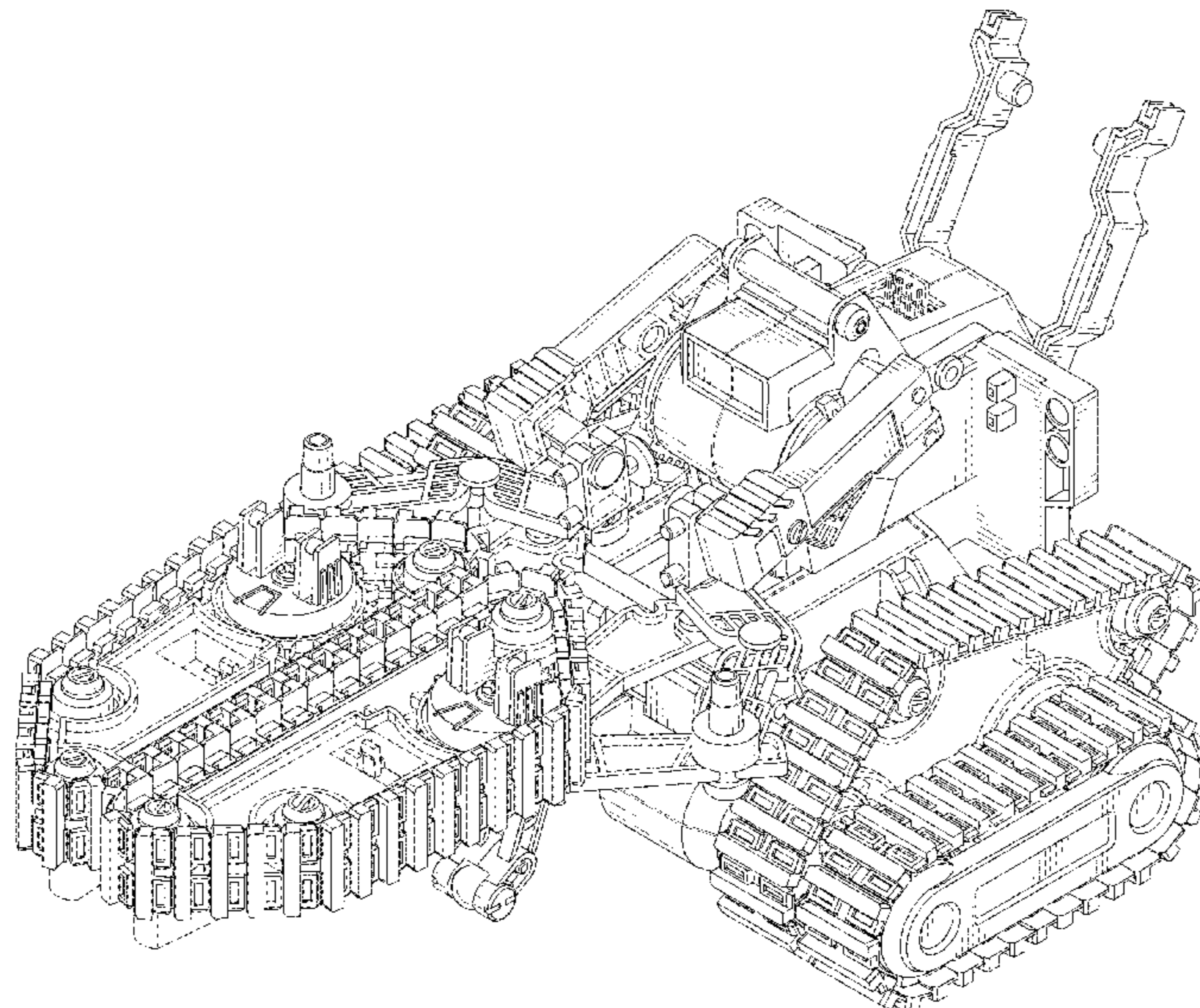
**OTHER PUBLICATIONS**

Robotikits Direct. 3-in-1 All Terrain Robot (ATR). Jan. 16, 2011 [online], [retrieved on Sep. 13, 2012]. Retrieved from the Internet <URL: <http://www.owirobot.com/3-in-1-all-terrain-robot-atr/>>.\*

**DESCRIPTION**

FIG. 1 is a front perspective view of a toy vehicle showing my new design, wherein arms of the toy vehicle are closed;  
FIG. 2 is rear perspective view thereof;  
FIG. 3 is bottom perspective view thereof;  
FIG. 4 is another bottom perspective view thereof;  
FIG. 5 is a right side view thereof;  
FIG. 6 is a front side view thereof;  
FIG. 7 is a top view thereof;  
FIG. 8 is a front perspective view thereof, wherein the arms of the toy vehicle are opened;  
FIG. 9 is a rear perspective view thereof in FIG. 8;  
FIG. 10 is a bottom perspective view thereof in FIG. 8;  
FIG. 11 is another perspective view thereof in FIG. 8;  
FIG. 12 is a right side view thereof in FIG. 8;  
FIG. 13 is a front view thereof in FIG. 8; and,  
FIG. 14 is a top view thereof in FIG. 8.  
The broken lines are shown for illustrative purposes only and form no part of the claimed design.

**1 Claim, 14 Drawing Sheets**



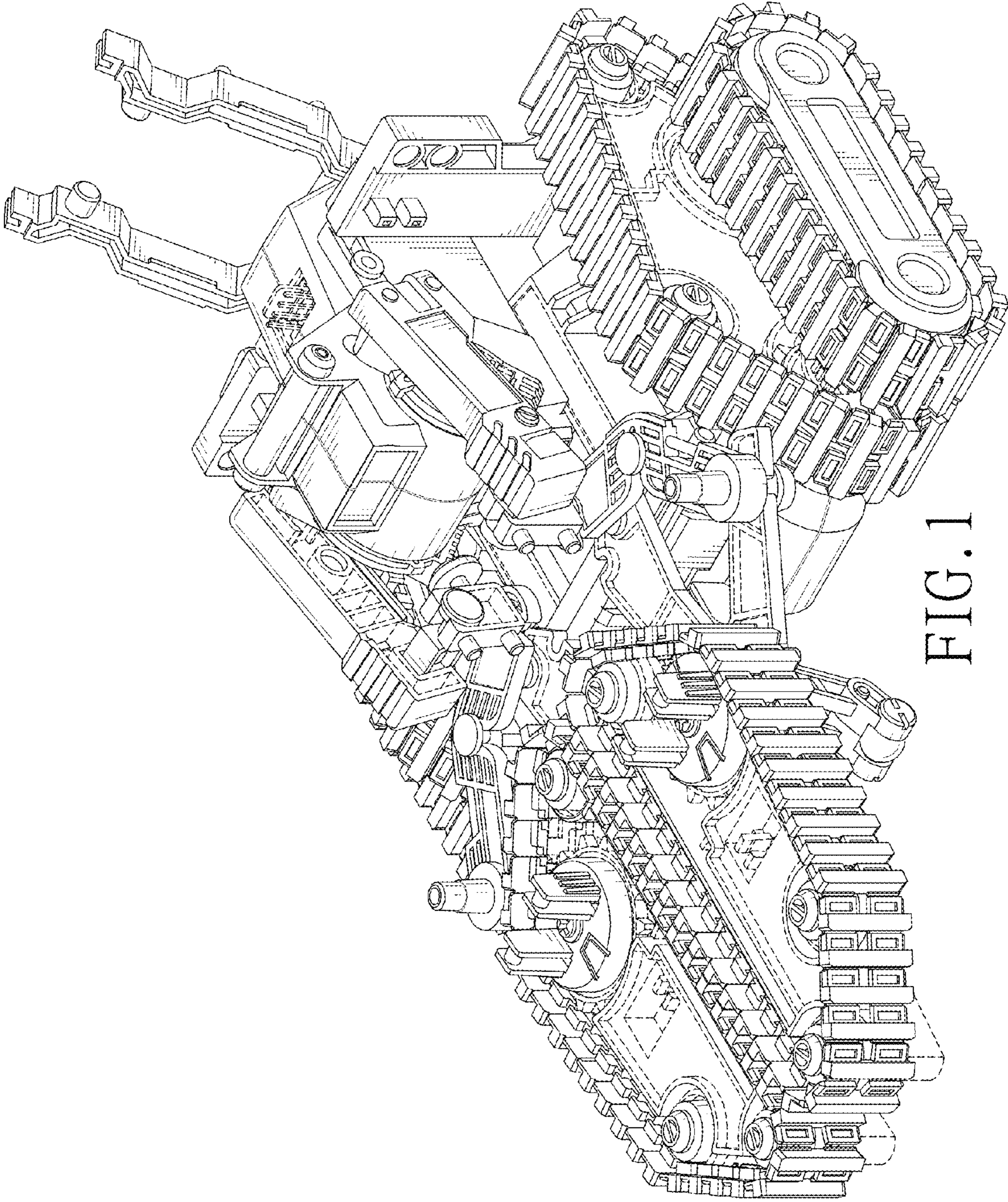


FIG. 1

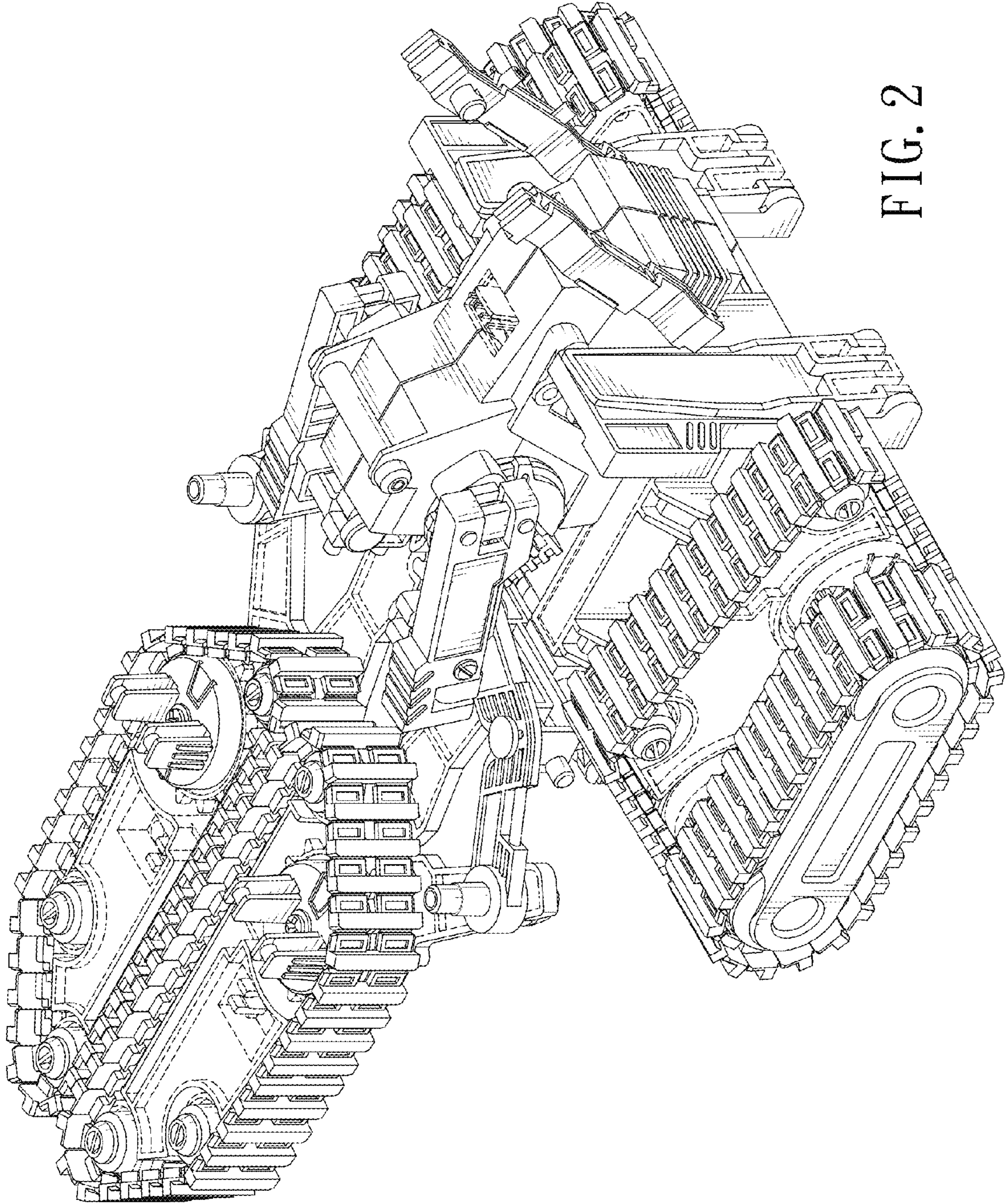


FIG. 2

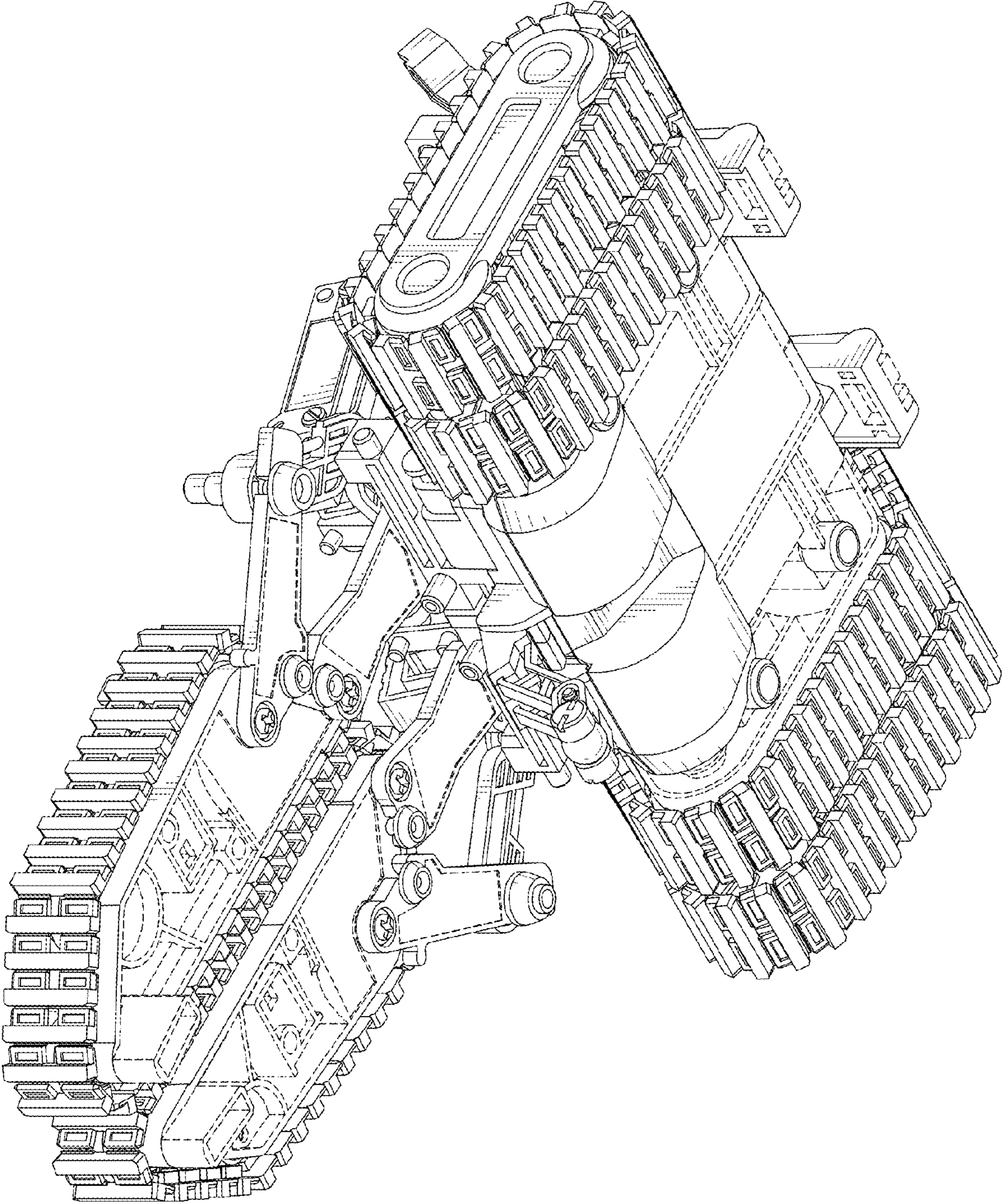


FIG. 3

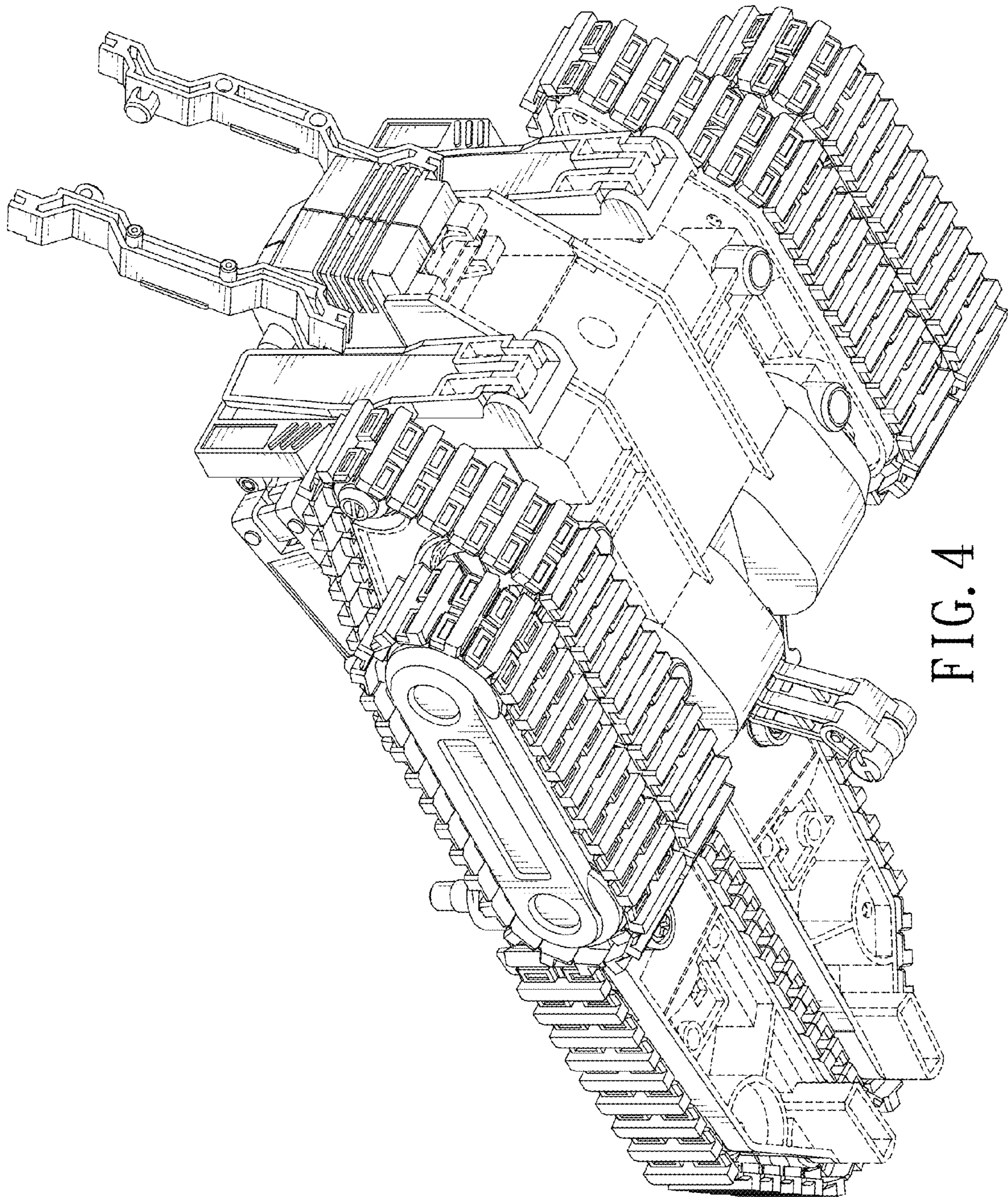


FIG. 4

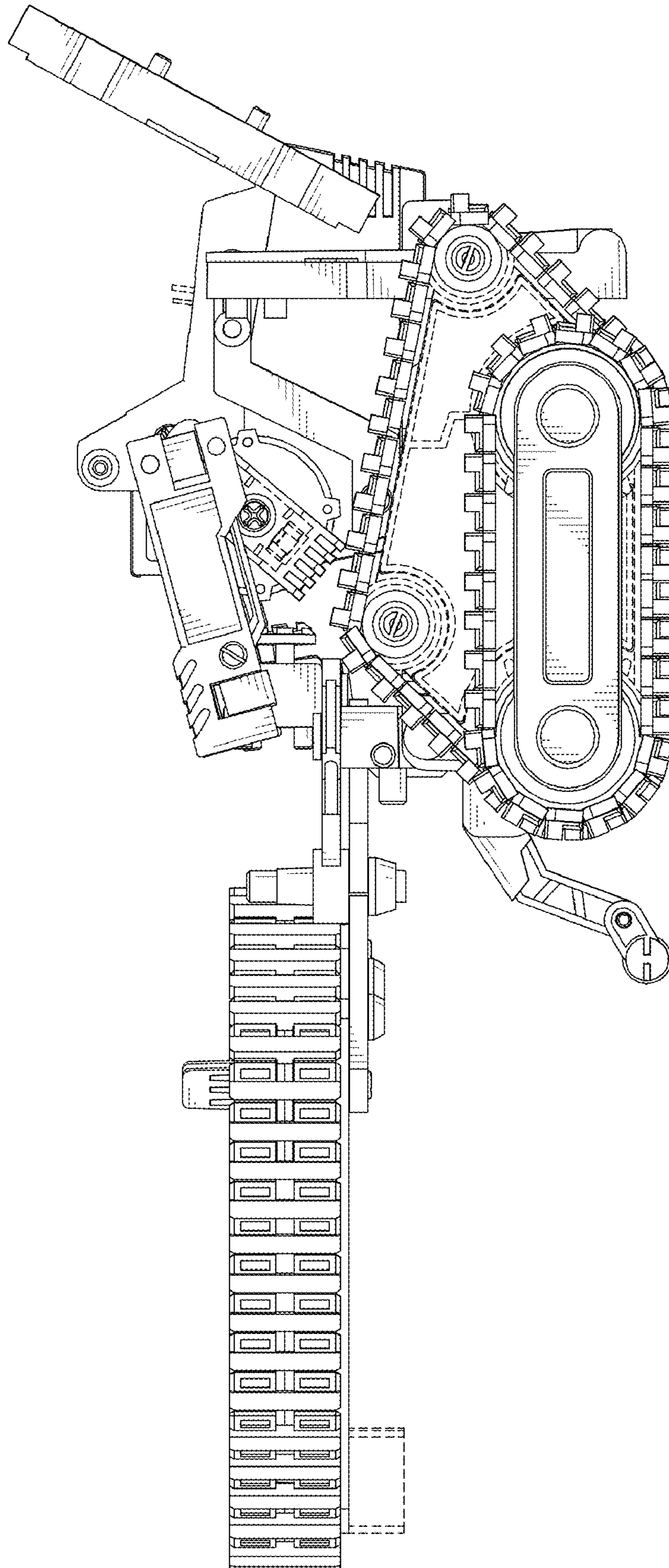


FIG. 5

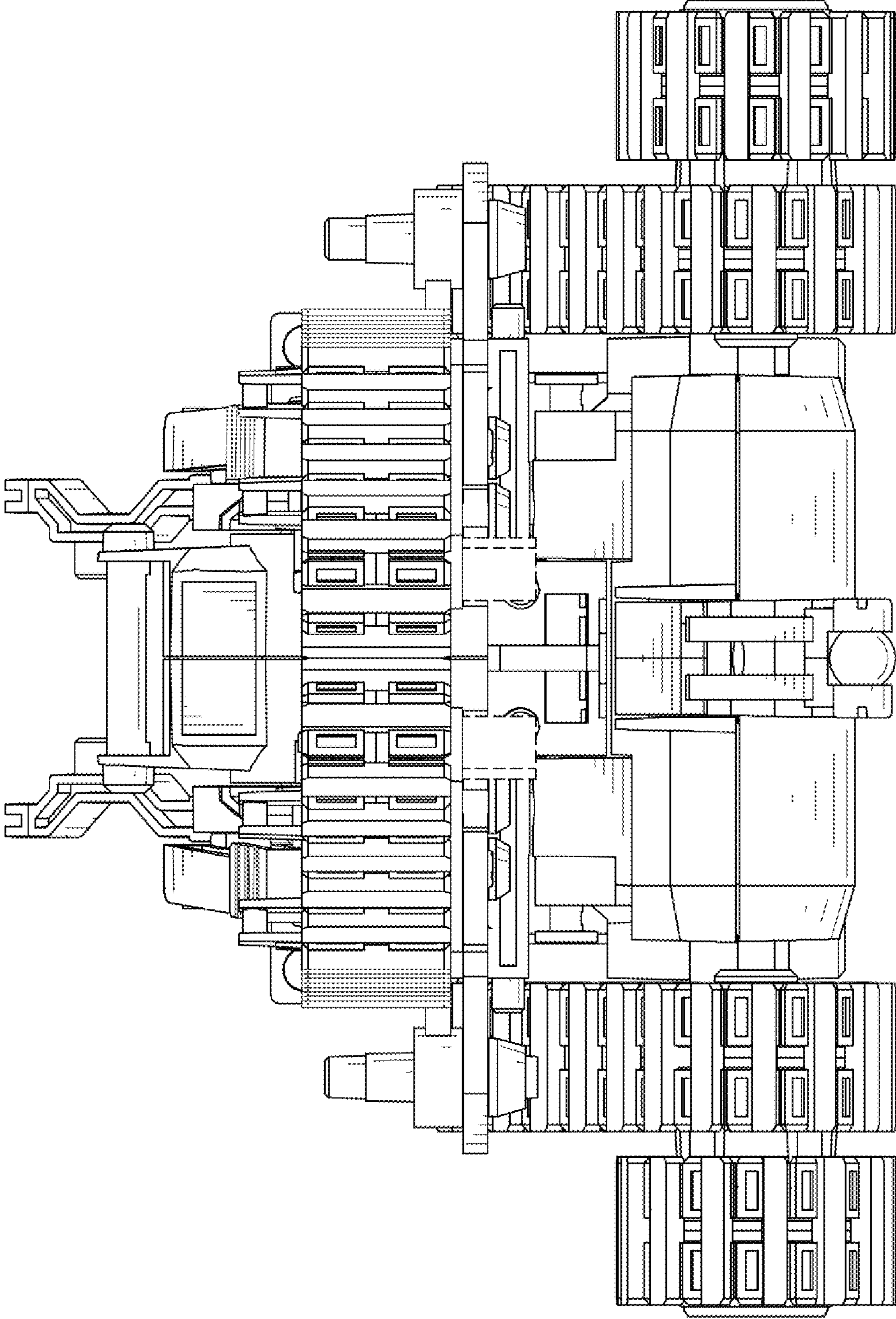


FIG. 6

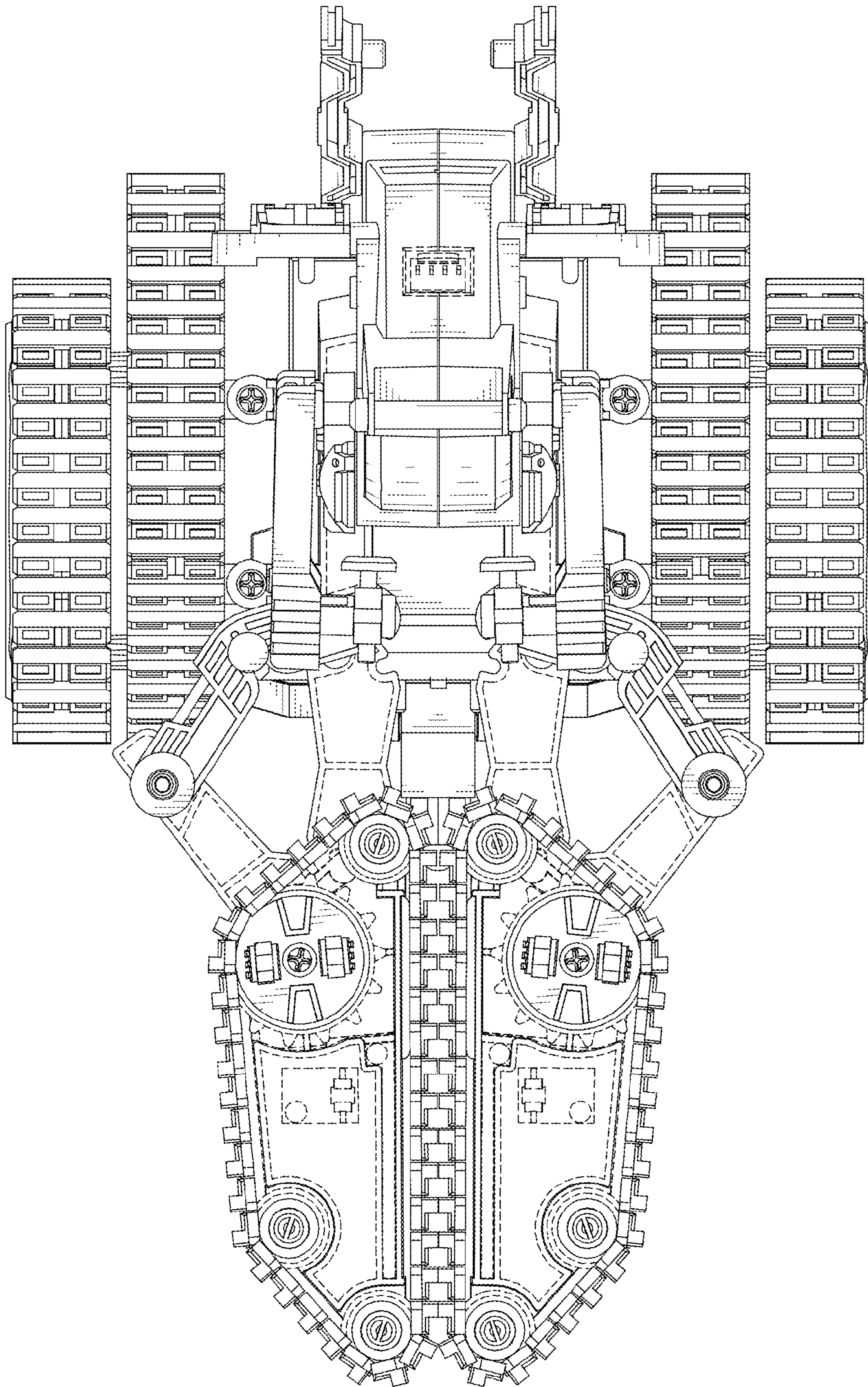


FIG. 7



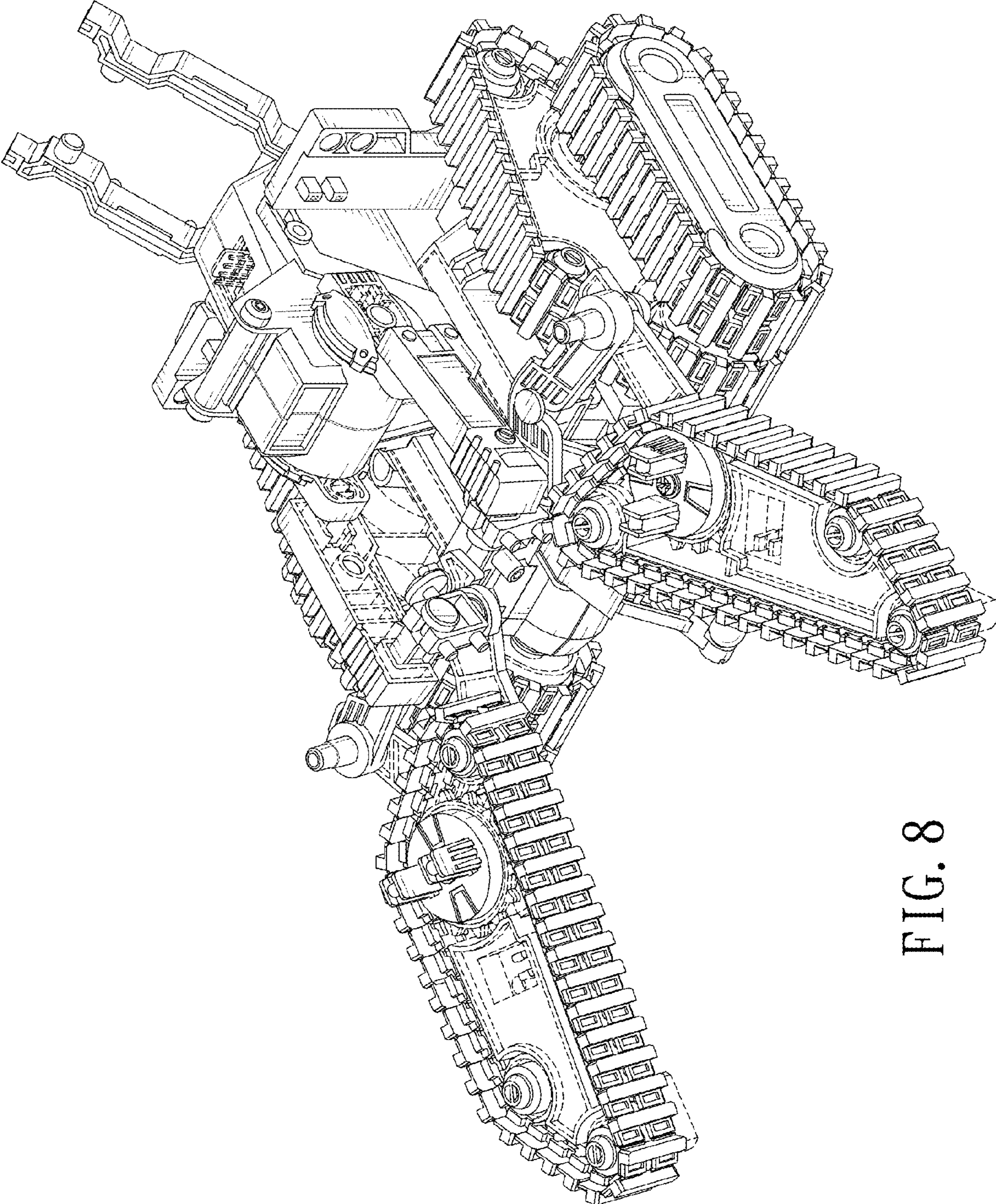


FIG. 8

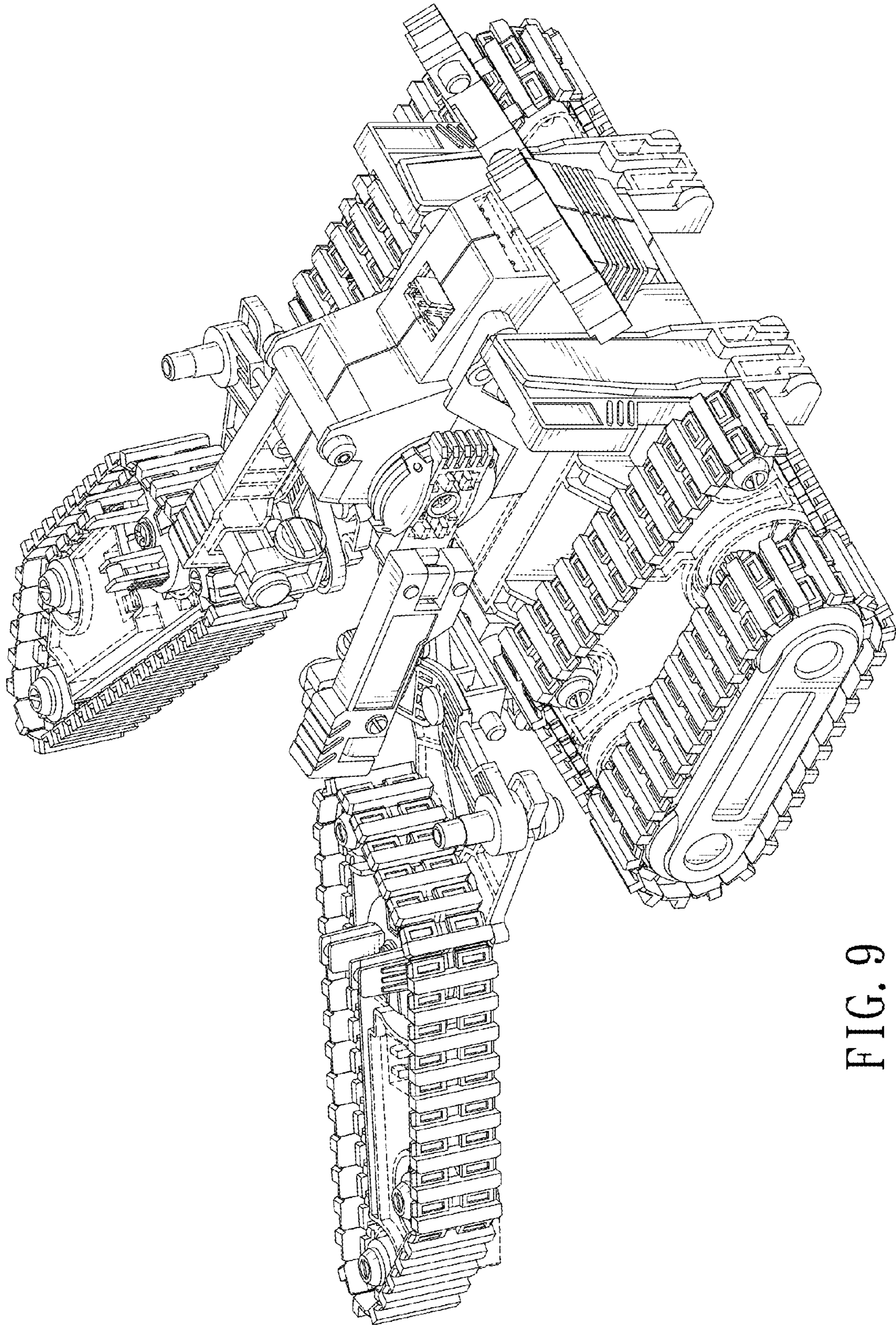


FIG. 9

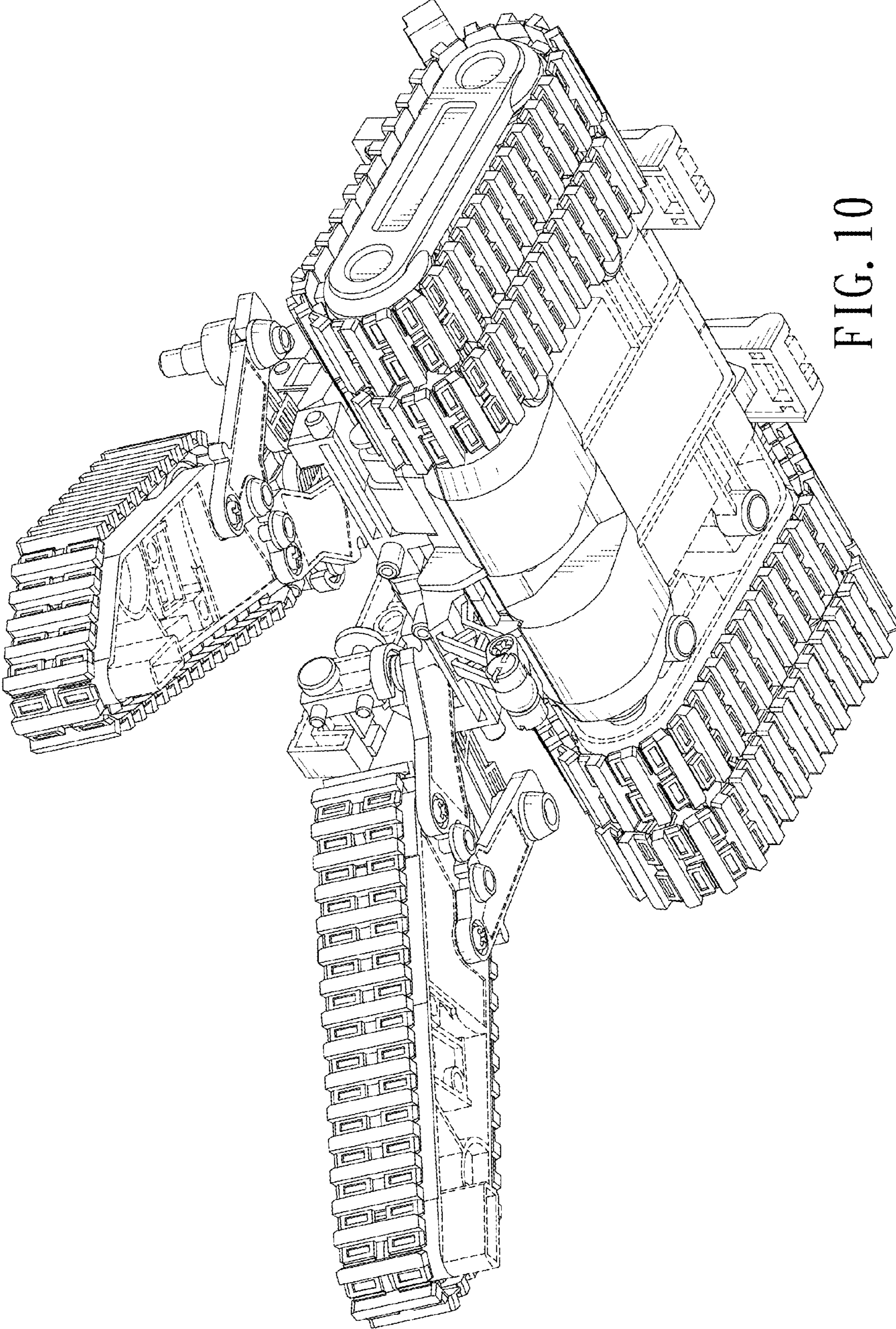


FIG. 10

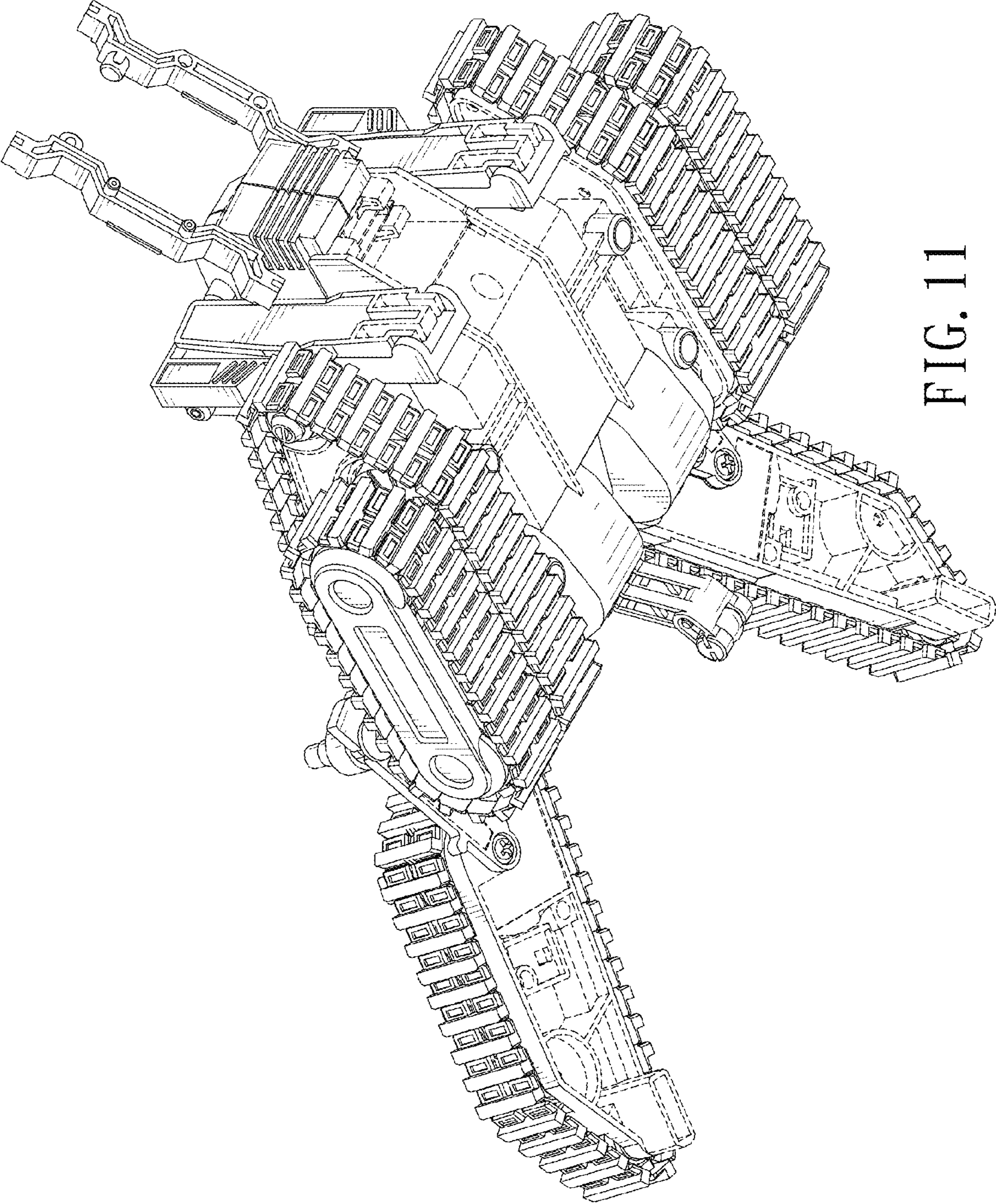


FIG. 11

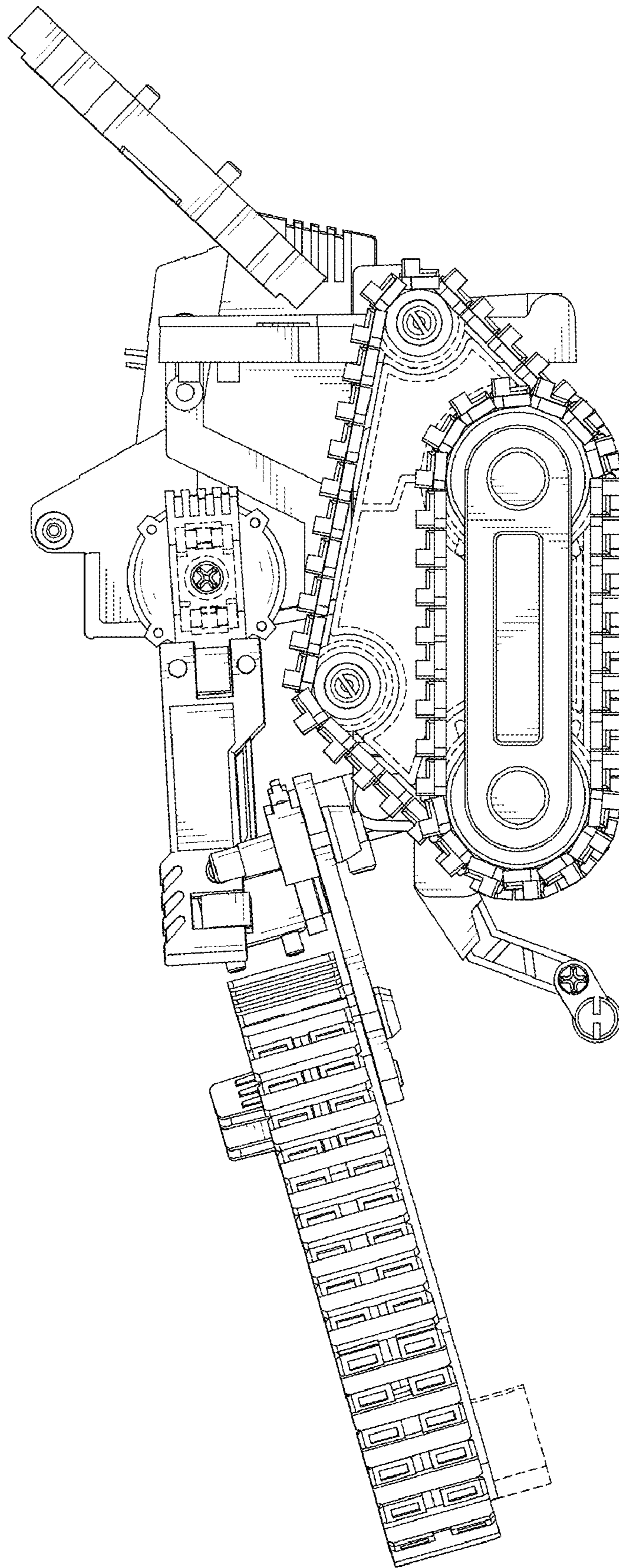


FIG. 12

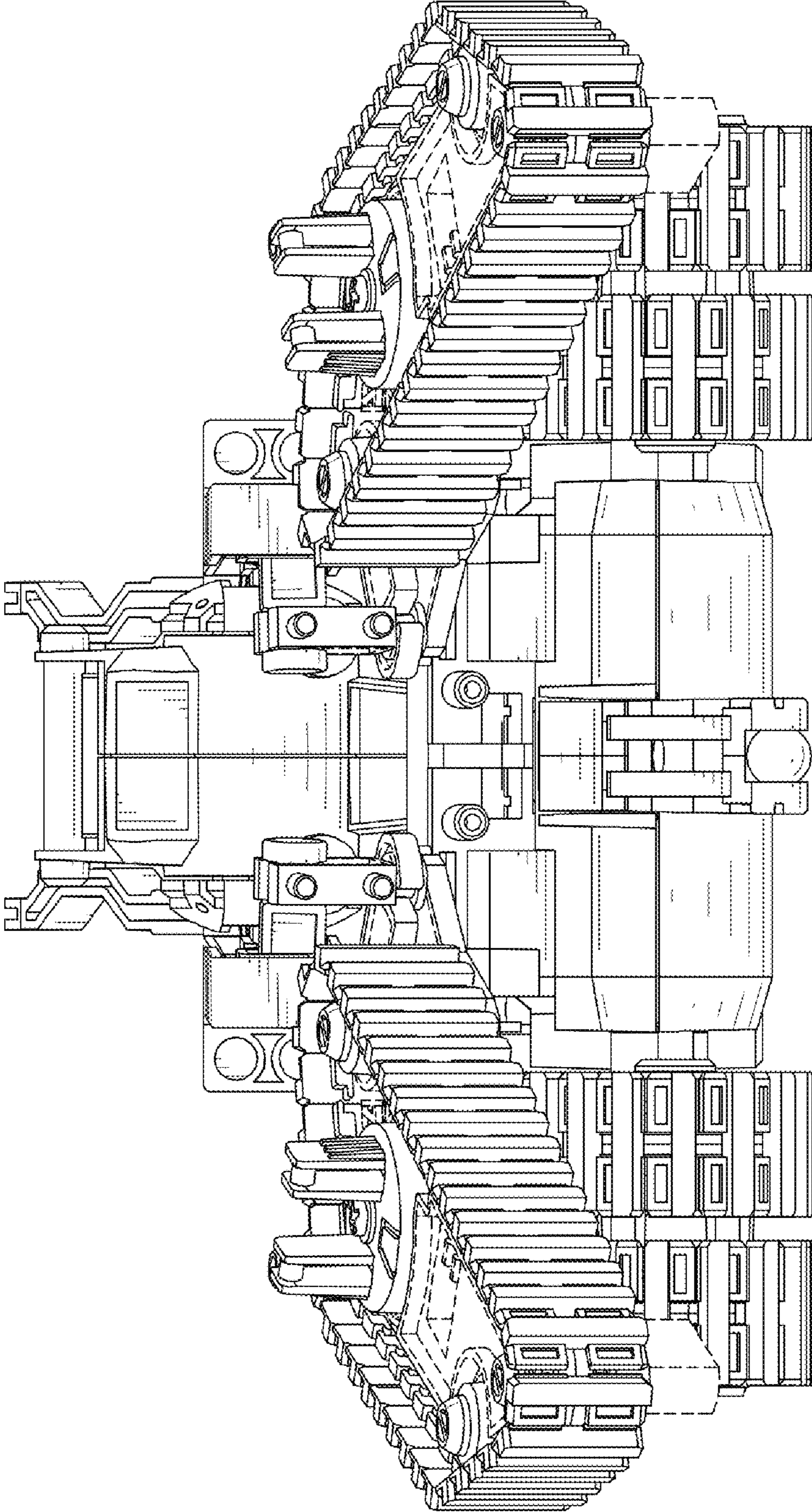


FIG. 13

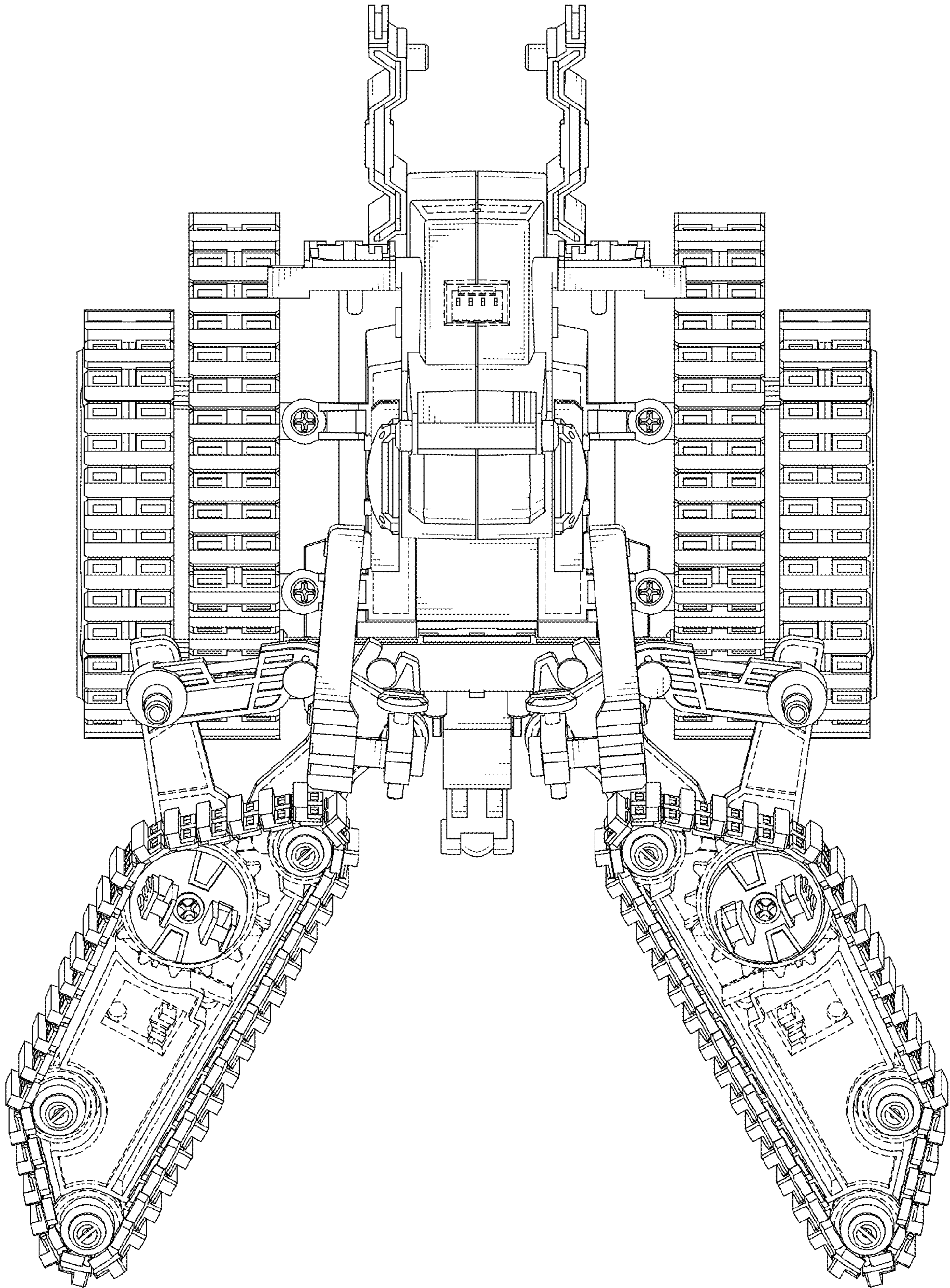


FIG. 14