



US00D678425S

(12) **United States Design Patent**  
**Foster**

(10) **Patent No.:** **US D678,425 S**  
(45) **Date of Patent:** **\*\* Mar. 19, 2013**

(54) **TOY TRUCK**

(75) Inventor: **Mark Foster**, Cumberland, RI (US)

(73) Assignee: **Hasbro, Inc.**, Pawtucket, RI (US)

(\*\*) Term: **14 Years**

(21) Appl. No.: **29/412,177**

(22) Filed: **Jan. 31, 2012**

(51) **LOC (9) Cl.** ..... **21-01**

(52) **U.S. Cl.** ..... **D21/537**

(58) **Field of Classification Search** ..... D21/431,  
D21/434, 533, 537, 539, 552, 554, 556; D15/24,  
D15/25; 446/424, 425, 427, 454, 456, 457,  
446/462, 465, 470, 489; 280/113, 828, 87.01,  
280/87.021

See application file for complete search history.

(56) **References Cited**

**U.S. PATENT DOCUMENTS**

D210,840 S *	4/1968	Genin	.....	D21/537
D243,266 S *	2/1977	Breneman	.....	D21/537
4,236,344 A *	12/1980	Kelly	.....	446/180
D261,787 S *	11/1981	Breneman	.....	D21/537
D326,858 S *	6/1992	Skeel et al.	.....	D15/25
D364,408 S *	11/1995	Bryant et al.	.....	D15/25
D401,292 S	11/1998	Park		
D419,618 S	1/2000	Park		
D424,130 S *	5/2000	Wei	.....	D21/537

D431,575 S *	10/2000	Park	.....	D15/25
D441,038 S *	4/2001	Wei	.....	D21/537
D538,303 S	3/2007	Kumagai et al.		
D543,557 S	5/2007	Kumagai et al.		
D551,683 S	9/2007	Kumagai et al.		
D552,629 S	10/2007	Kumagai et al.		
D552,692 S	10/2007	Stern et al.		
D577,080 S	9/2008	Spieberger		
D590,846 S *	4/2009	Kinsinger et al.	.....	D15/25
D636,000 S *	4/2011	Kim et al.	.....	D15/25

\* cited by examiner

*Primary Examiner* — Cynthia M Chin

(74) *Attorney, Agent, or Firm* — Perry Hoffman

(57) **CLAIM**

The ornamental design for a toy truck, as shown and described.

**DESCRIPTION**

FIG. 1 is a perspective view of the toy truck of the instant invention;

FIG. 2 is a right side elevational view thereof;

FIG. 3 is a left side elevational view thereof;

FIG. 4 is a front view thereof;

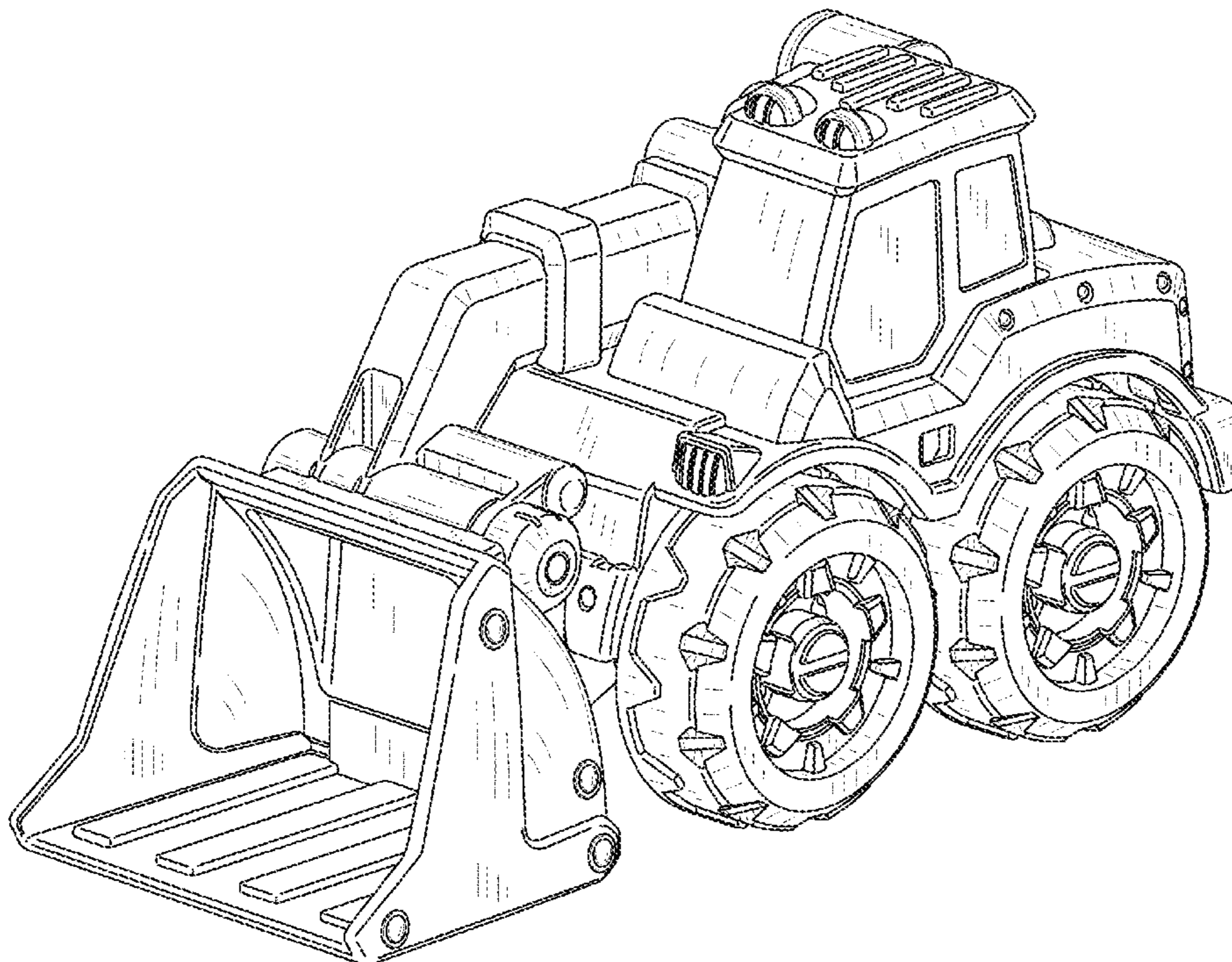
FIG. 5 is a rear view thereof;

FIG. 6 is a top view thereof; and,

FIG. 7 is a bottom view thereof.

The broken lines shown are included for the purpose of illustrating portions of the article that form no part of the claimed design.

**1 Claim, 4 Drawing Sheets**



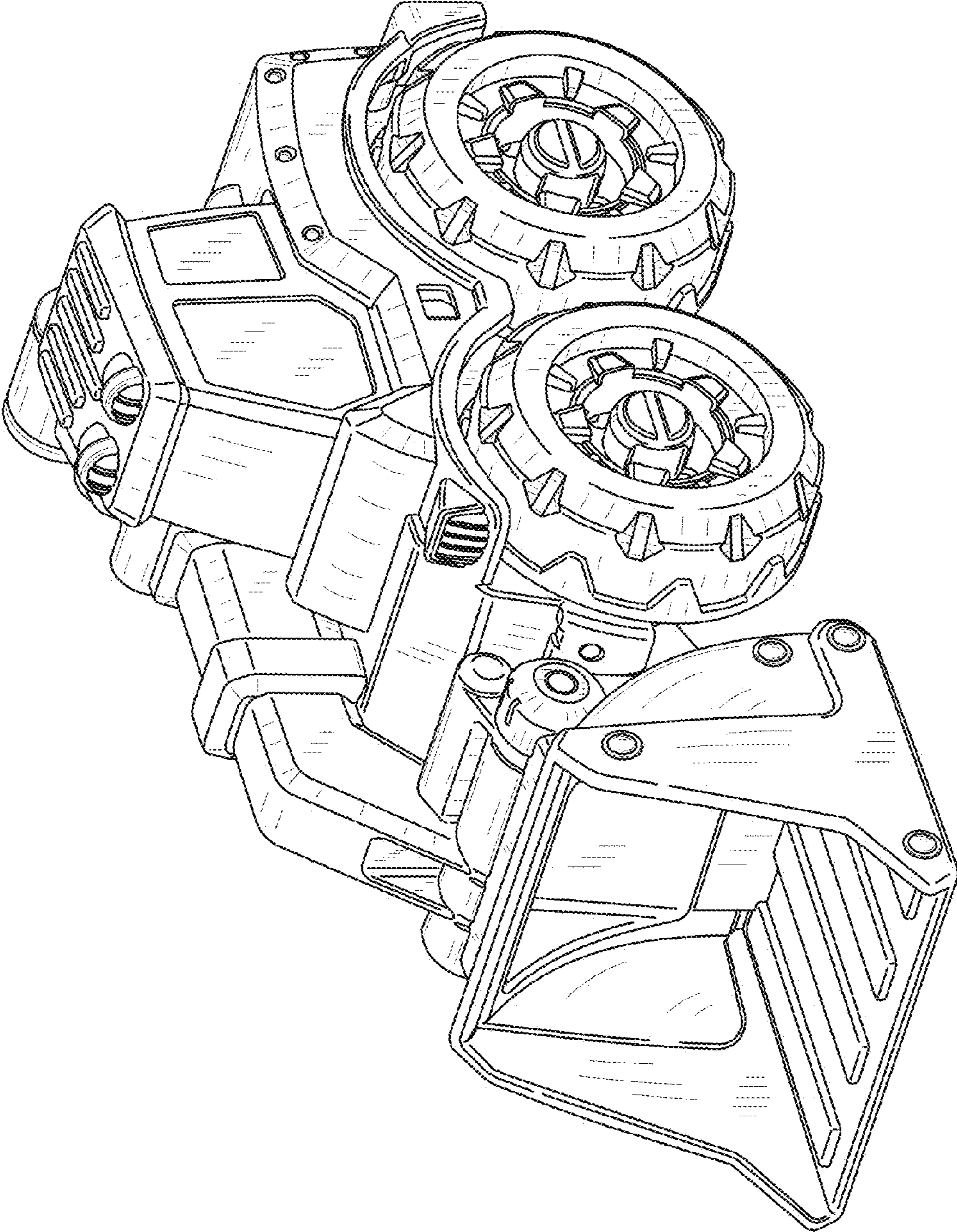


FIG. 1



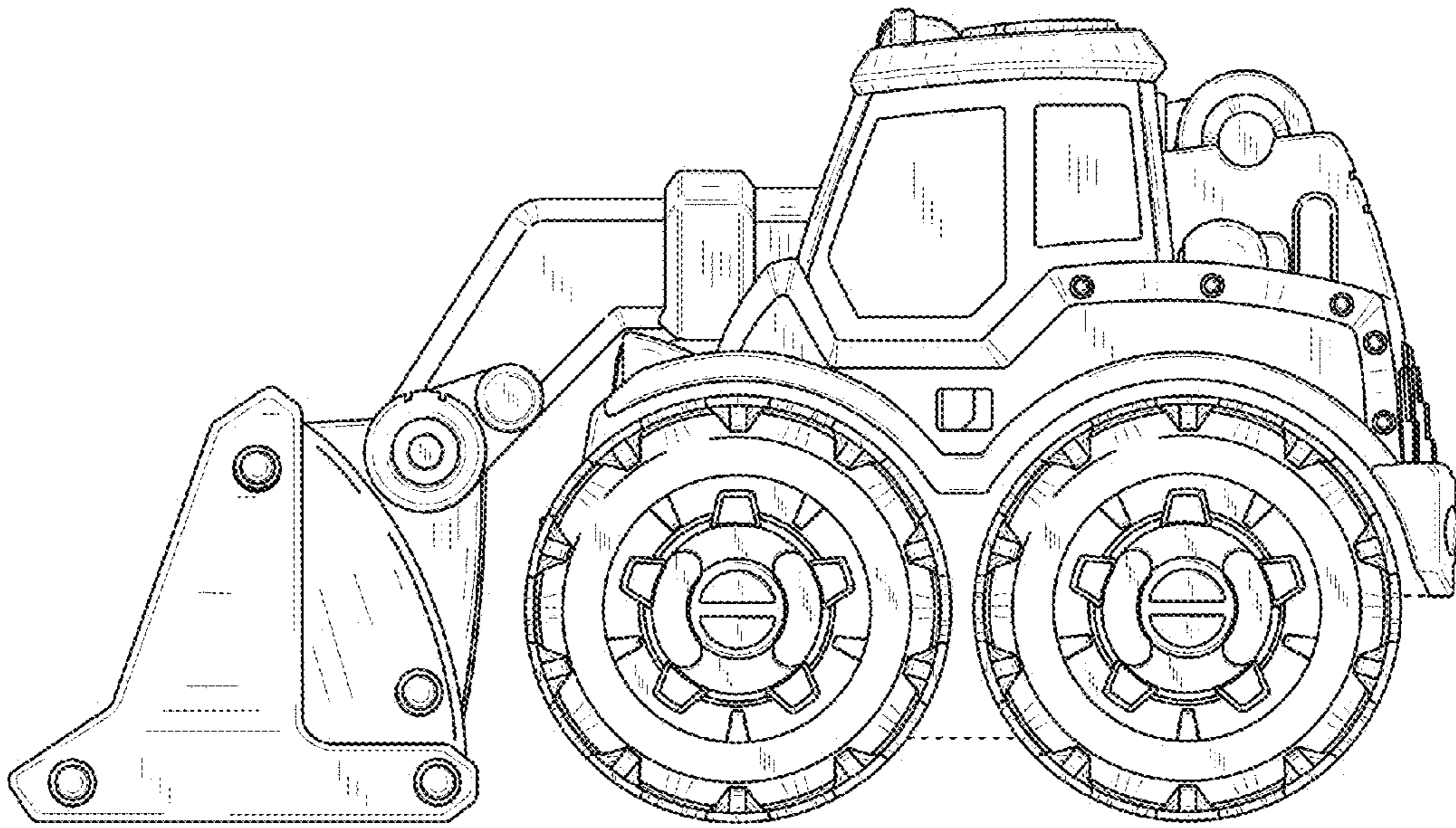


FIG. 2

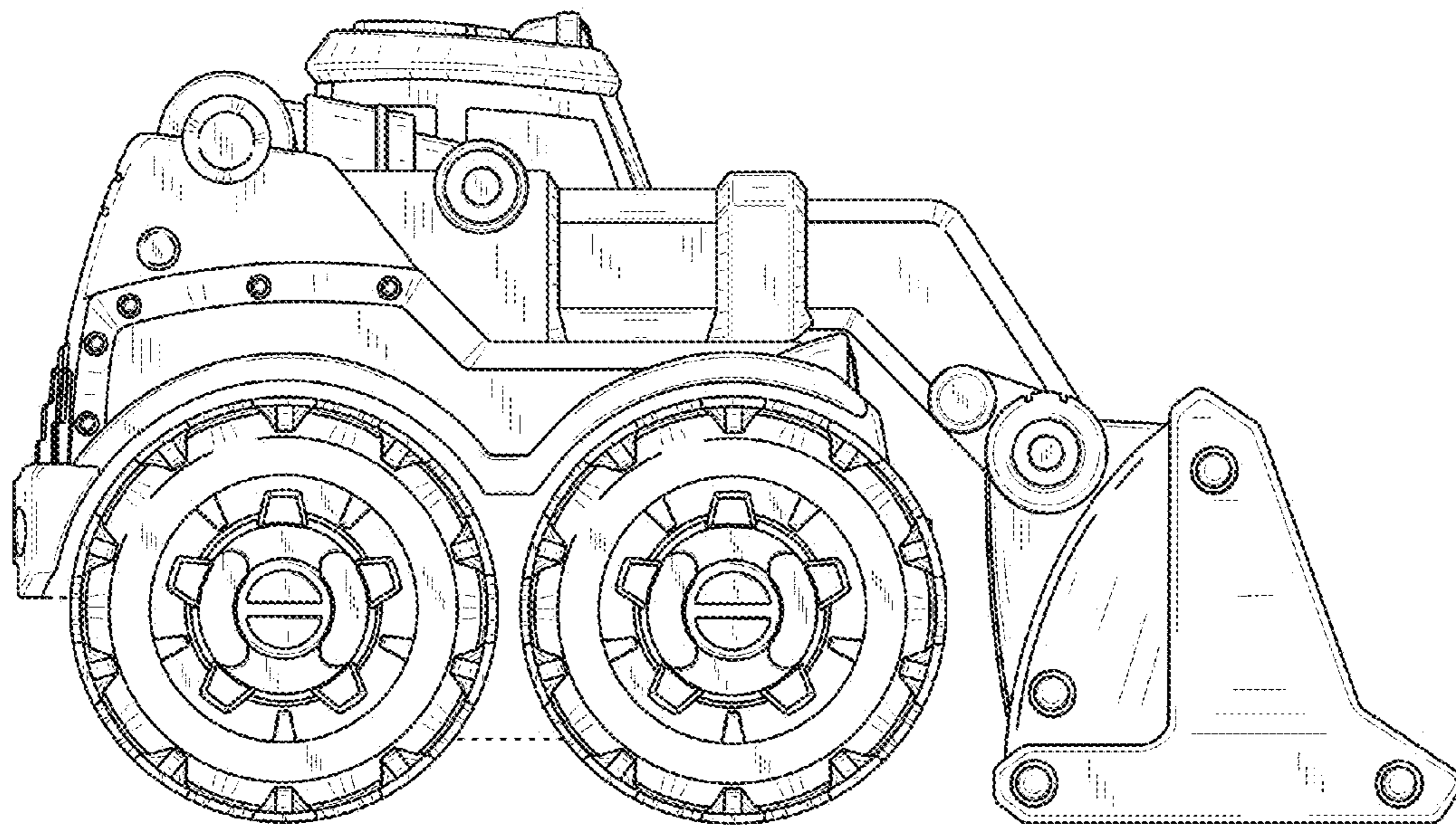


FIG. 3

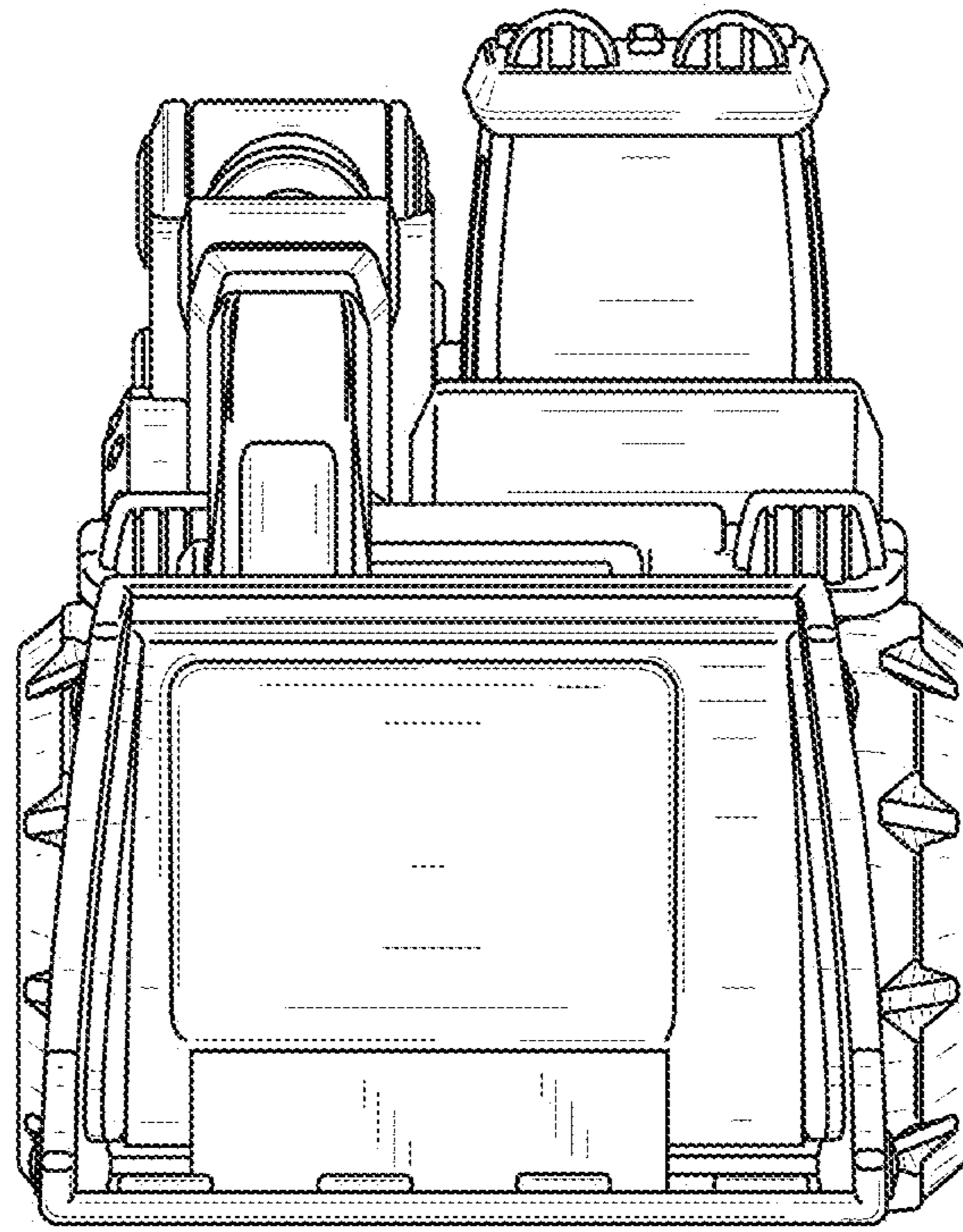


FIG. 4

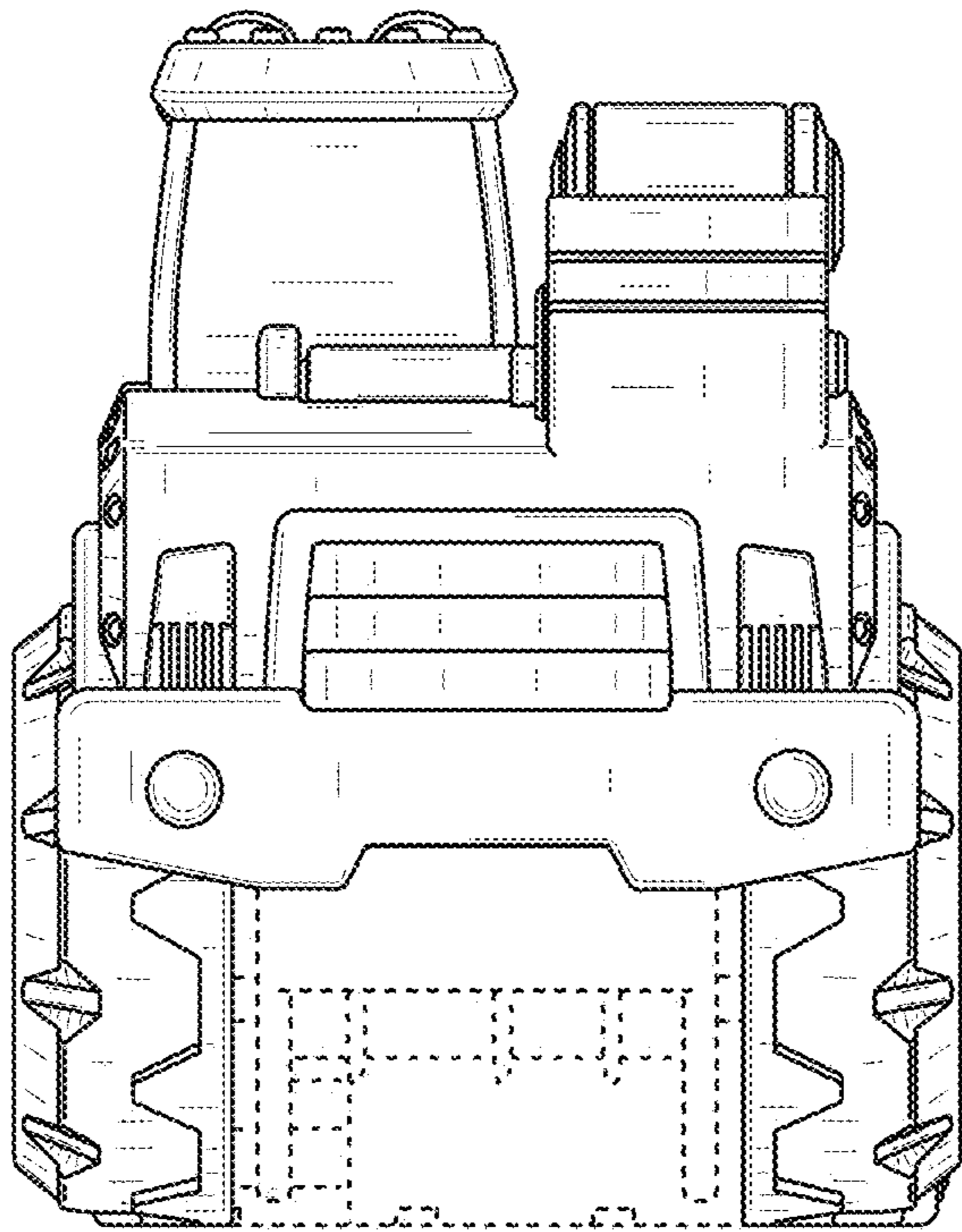


FIG. 5



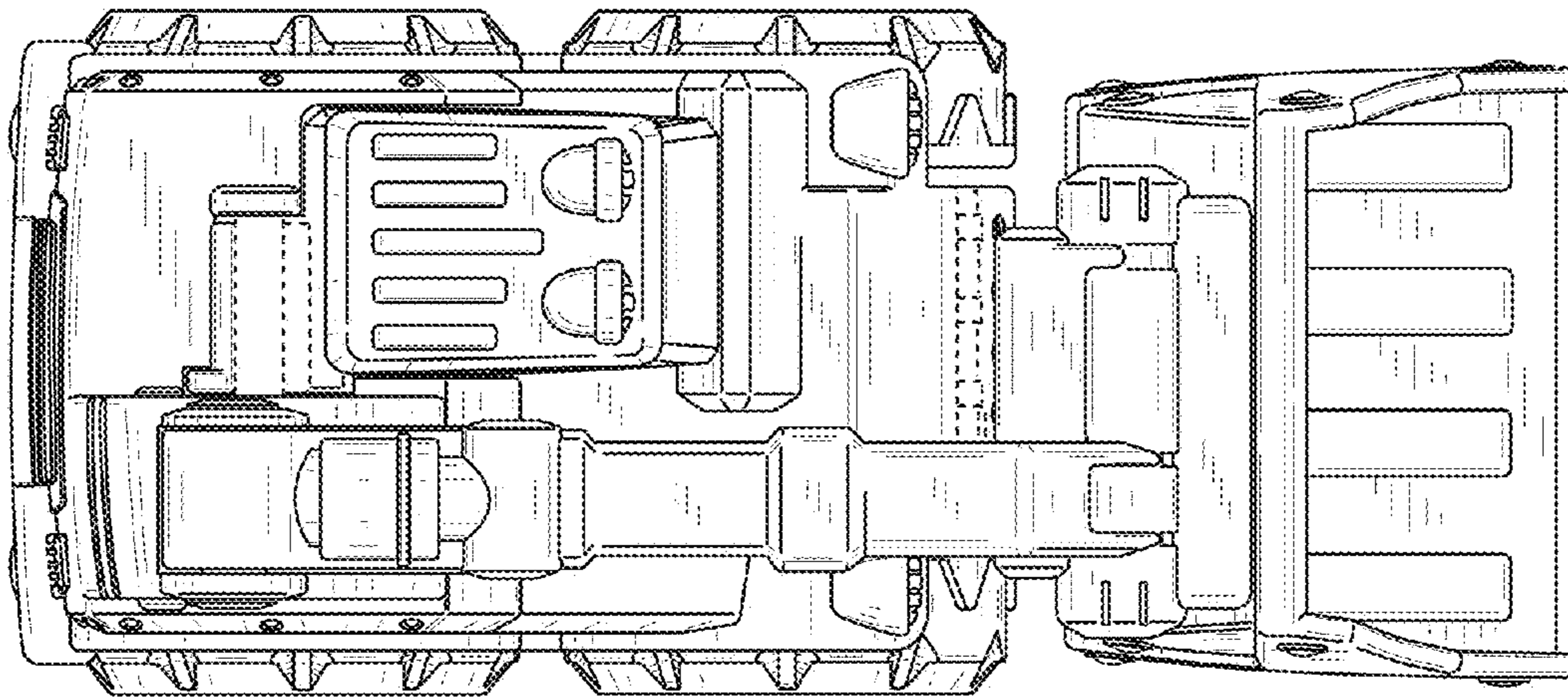


FIG. 6

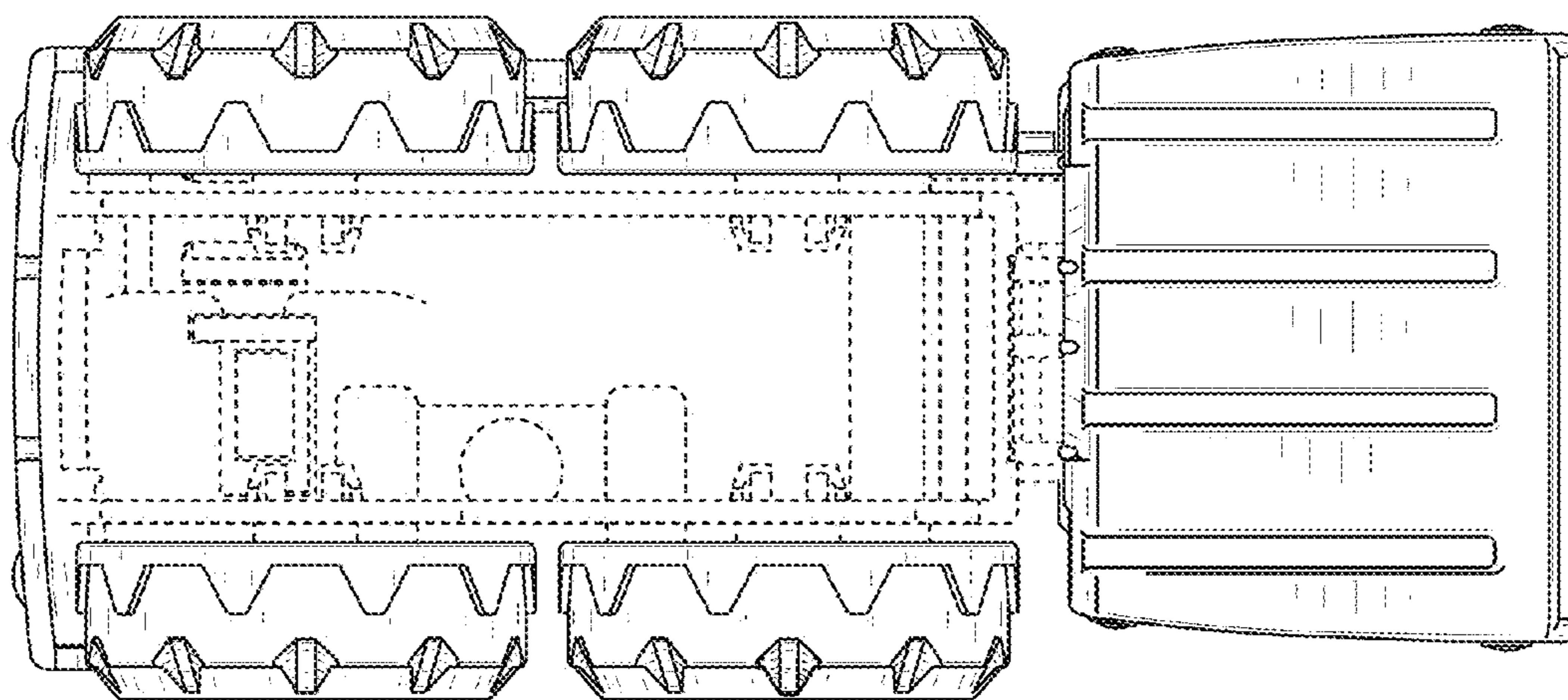


FIG. 7