



US00D678424S

(12) **United States Design Patent**
Blanco et al.

(10) **Patent No.:** **US D678,424 S**
(45) **Date of Patent:** **** Mar. 19, 2013**

(54) **CARRIAGE RIDE TOY**

(76) Inventors: **Mirta Blanco**, Miramar, FL (US);
Marizel Garciga, Miramar, FL (US)

(**) Term: **14 Years**

(21) Appl. No.: **29/418,742**

(22) Filed: **Apr. 20, 2012**

(51) **LOC (9) Cl.** **21-01**

(52) **U.S. Cl.** **D21/534; D21/427**

(58) **Field of Classification Search** D21/425,
D21/427, 506, 510, 533, 535, 548, 694, 695,
D21/827; D12/85; 280/827; 446/431

See application file for complete search history.

(56) **References Cited**

U.S. PATENT DOCUMENTS

2,539,236	A	1/1951	Dore	
D192,224	S *	2/1962	Haubert	D21/827
3,367,668	A *	2/1968	Jenkins	280/827
D215,862	S *	11/1969	Campbell	D21/533
D218,229	S *	8/1970	Ponthieu	D12/85

D243,786	S *	3/1977	White	D21/535
4,089,543	A	5/1978	Osborne	
D264,955	S	6/1982	Johnson	
D294,607	S *	3/1988	Zacherle et al.	D21/506
D305,011	S	12/1989	Pipon	
D351,873	S *	10/1994	Jones et al.	D21/533
D365,313	S	12/1995	Mosetich et al.	
D405,394	S	2/1999	Polak et al.	
D540,874	S *	4/2007	Han	D19/74
D619,377	S *	7/2010	Chiu	D6/310

* cited by examiner

Primary Examiner — Cynthia M Chin

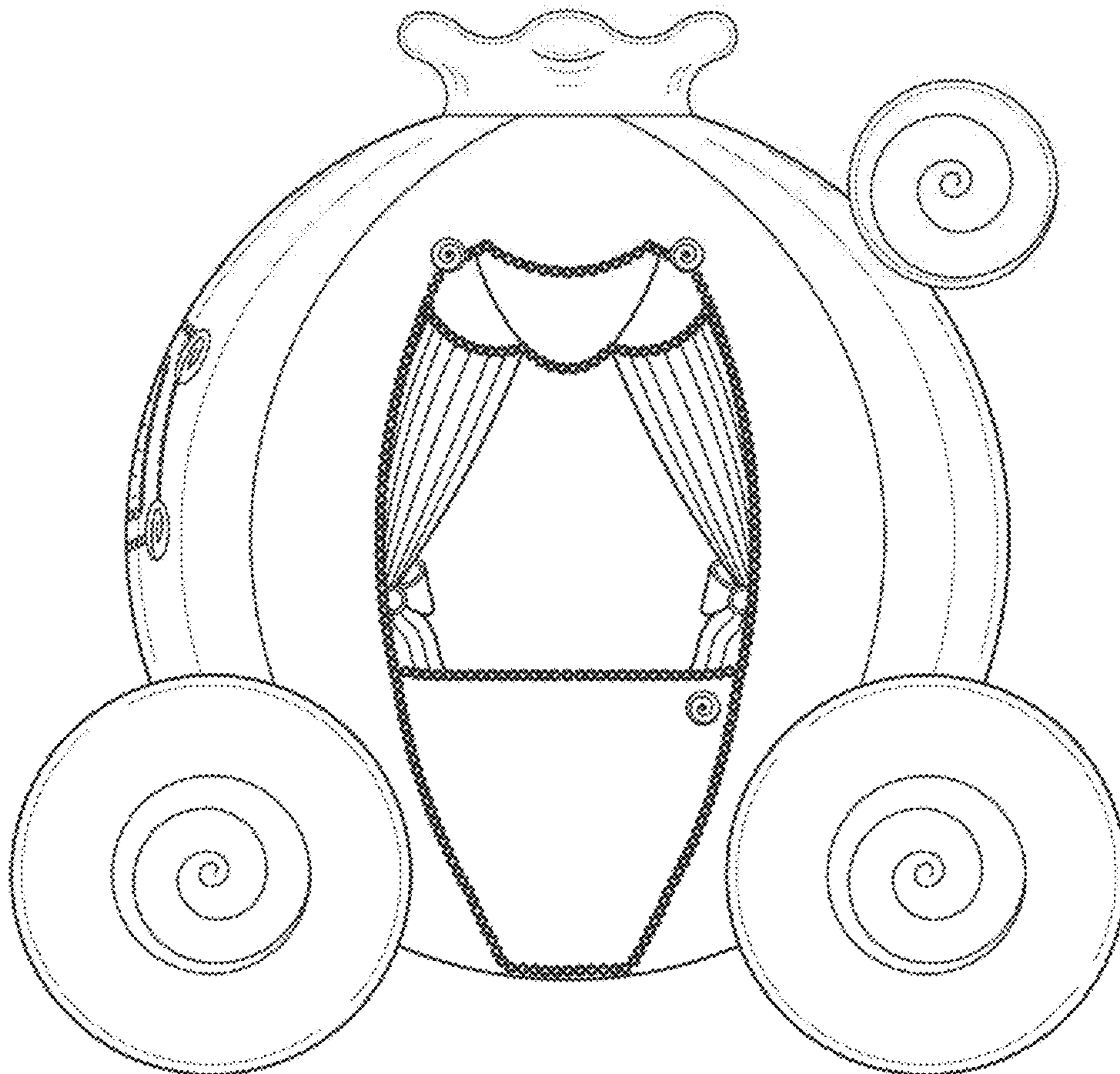
(57) **CLAIM**

We claim the ornamental design for the carriage ride toy, as shown and described.

DESCRIPTION

FIG. 1 is a side view of the carriage ride toy.
FIG. 2 is a front view of the claimed design.
FIG. 3 is a rear view of the claimed design.
FIG. 4 is a top view of the claimed design; and,
FIG. 5 is a bottom view of the claimed design.

1 Claim, 5 Drawing Sheets



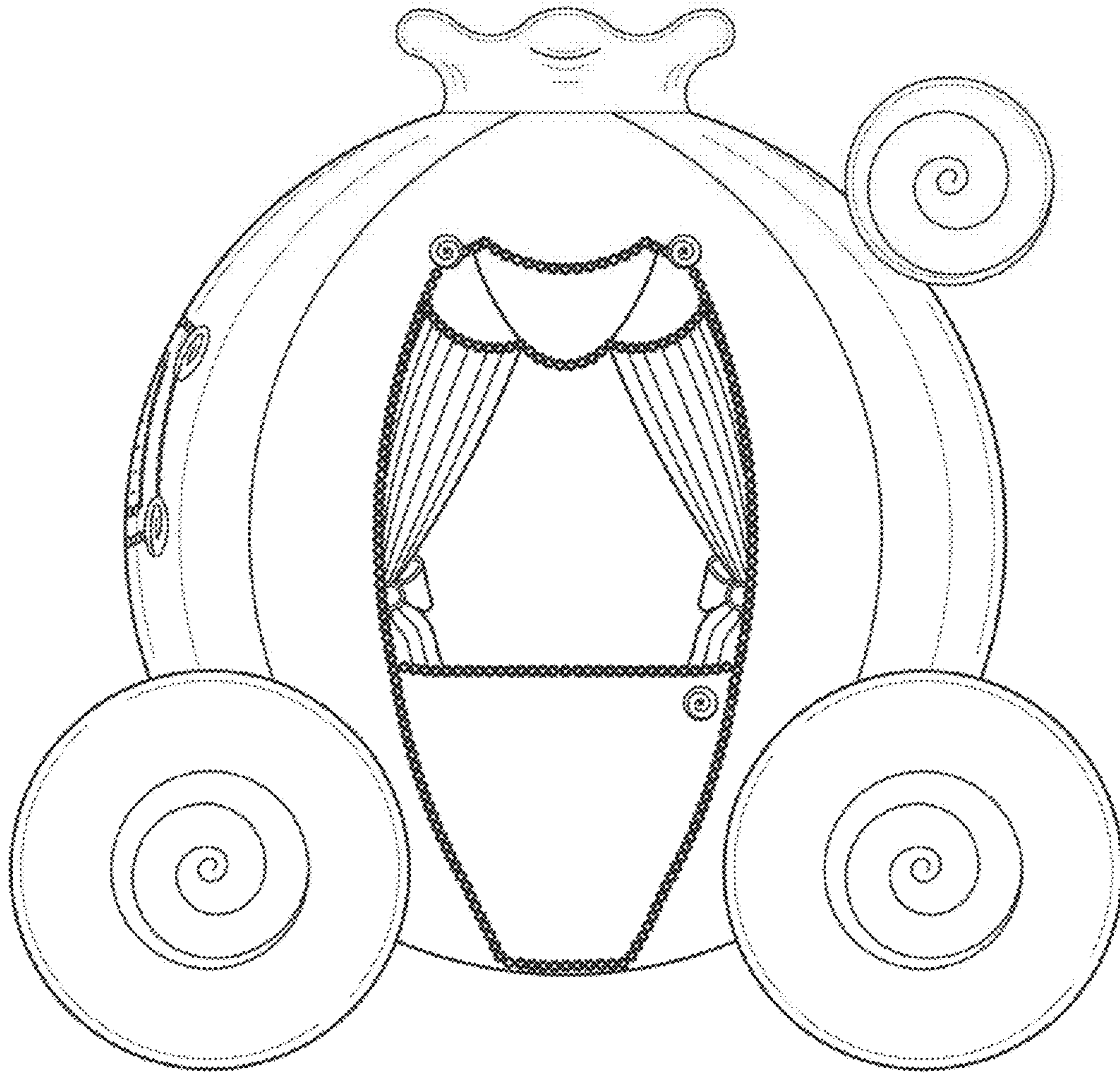


FIG. 1

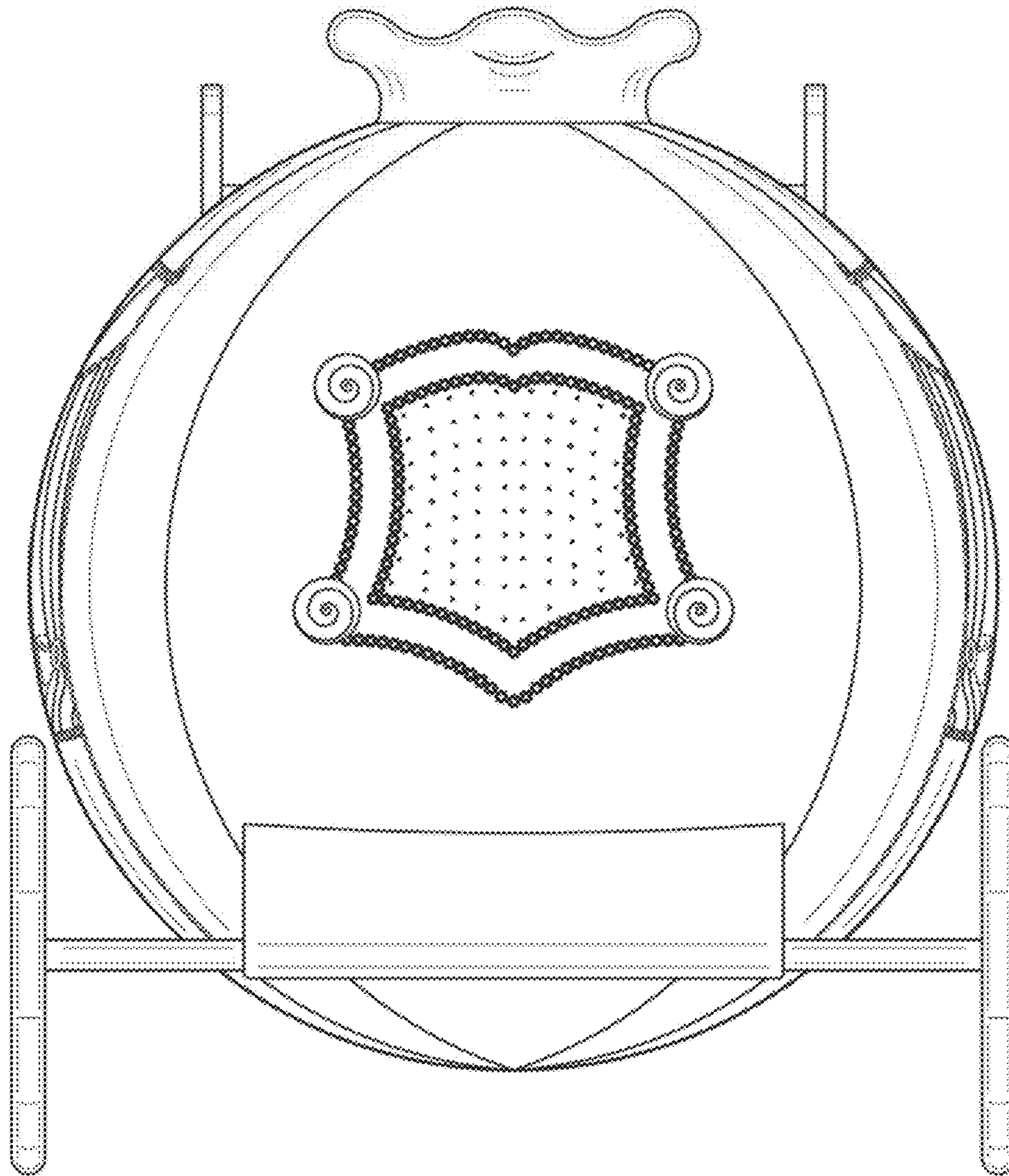


FIG. 2

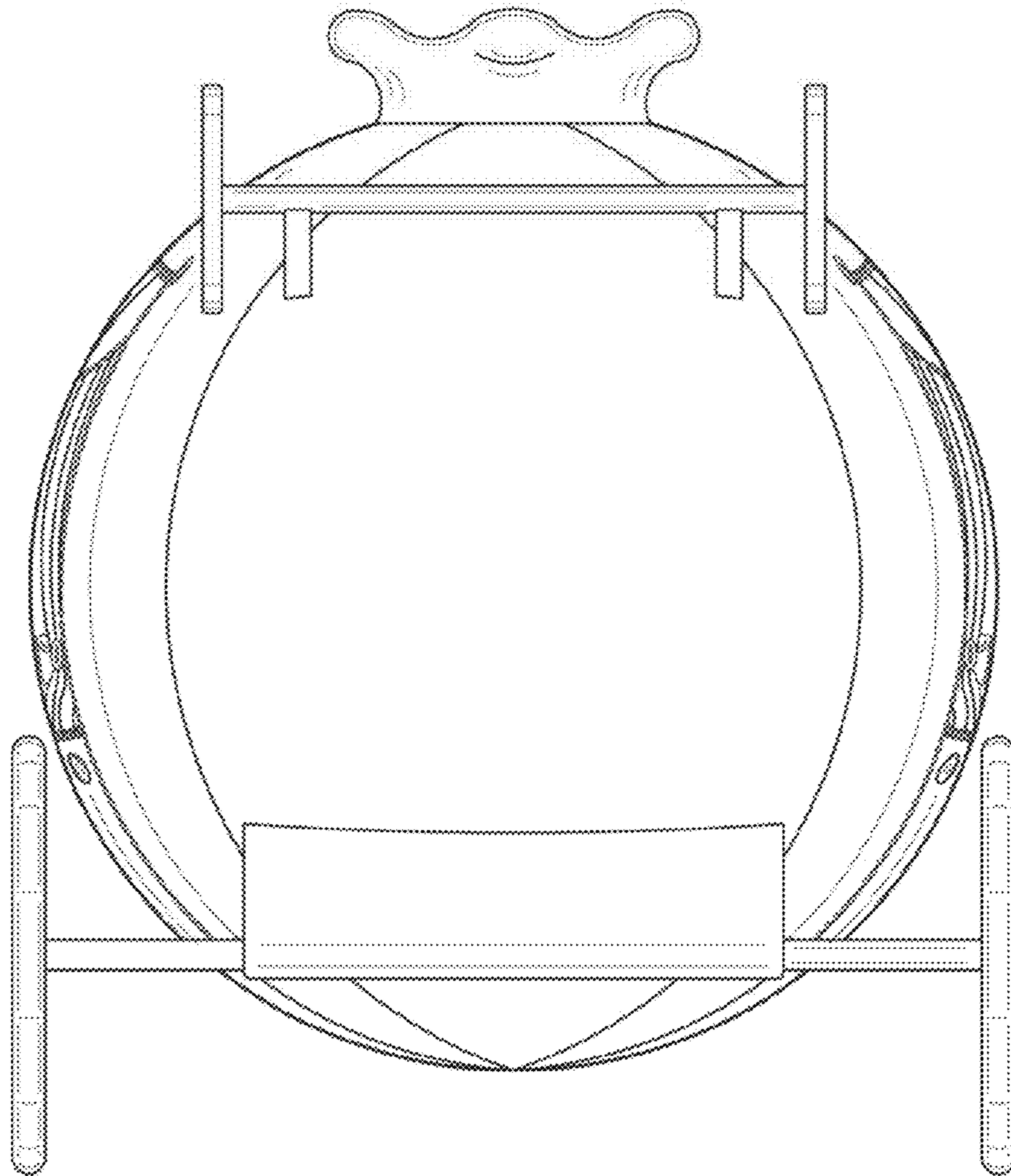


FIG. 3

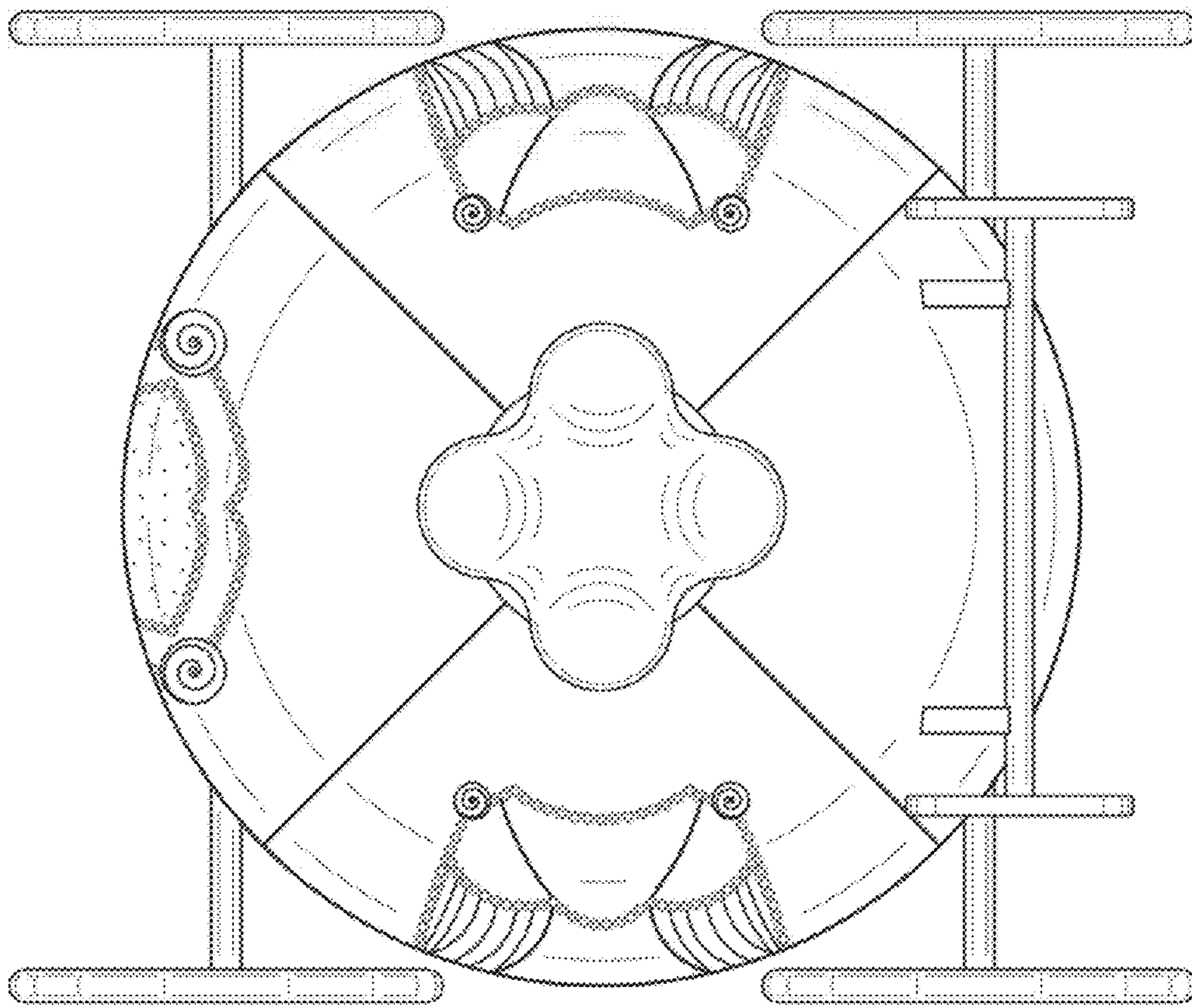


FIG. 4

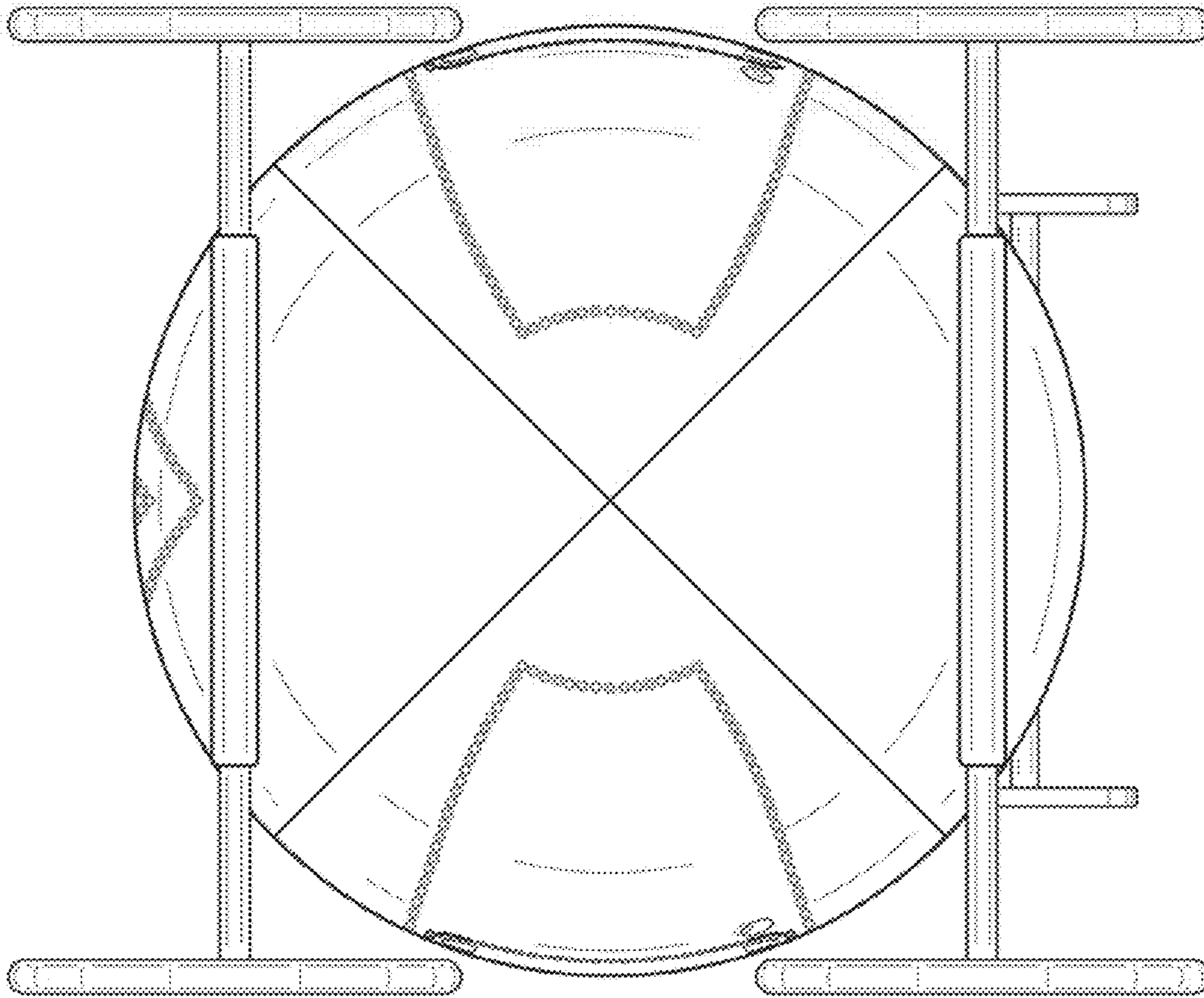


FIG. 5