



US00D678419S

(12) **United States Design Patent**
Keyvanloo

(10) **Patent No.:** **US D678,419 S**
(45) **Date of Patent:** **** Mar. 19, 2013**

(54) **SIGN HOLDER**

(75) Inventor: **Aydin Keyvanloo**, Doncaster (AU)

(73) Assignees: **Aydin Keyvanlo** (AU); **Andreas Klaus Gesswein** (DE); **Liang Tung** (TW)

(**) Term: **14 Years**

(21) Appl. No.: **29/391,175**

(22) Filed: **May 4, 2011**

(51) **LOC (9) Cl.** **20-03**

(52) **U.S. Cl.** **D20/43; D6/310**

(58) **Field of Classification Search** D20/10,
D20/19, 42-44, 99; 40/120, 122, 642.02,
40/643, 644, 649, 655, 658, 661, 661.03,
40/661.06, 661.11, 662, 666, 70, 734, 745,
40/765, 769; D6/300, 310, 311, 314; 206/455
See application file for complete search history.

(56) **References Cited**

U.S. PATENT DOCUMENTS

2,409,814	A *	10/1946	Vargish	40/745
3,142,920	A *	8/1964	Nelson et al.	40/122
4,041,630	A *	8/1977	Holbrook	40/765
D308,990	S *	7/1990	Grossman	D20/43
5,133,450	A *	7/1992	Rademacher	206/455
D346,829	S *	5/1994	Keefe	D20/40
5,979,097	A *	11/1999	Moore	40/769
D581,681	S *	12/2008	Goolrick	D6/314
D595,782	S *	7/2009	Whitfield	D20/43
D640,750	S *	6/2011	Bird et al.	D20/44

* cited by examiner

Primary Examiner — Mary Ann Calabrese

(74) *Attorney, Agent, or Firm* — SAIDMAN DesignLaw Group

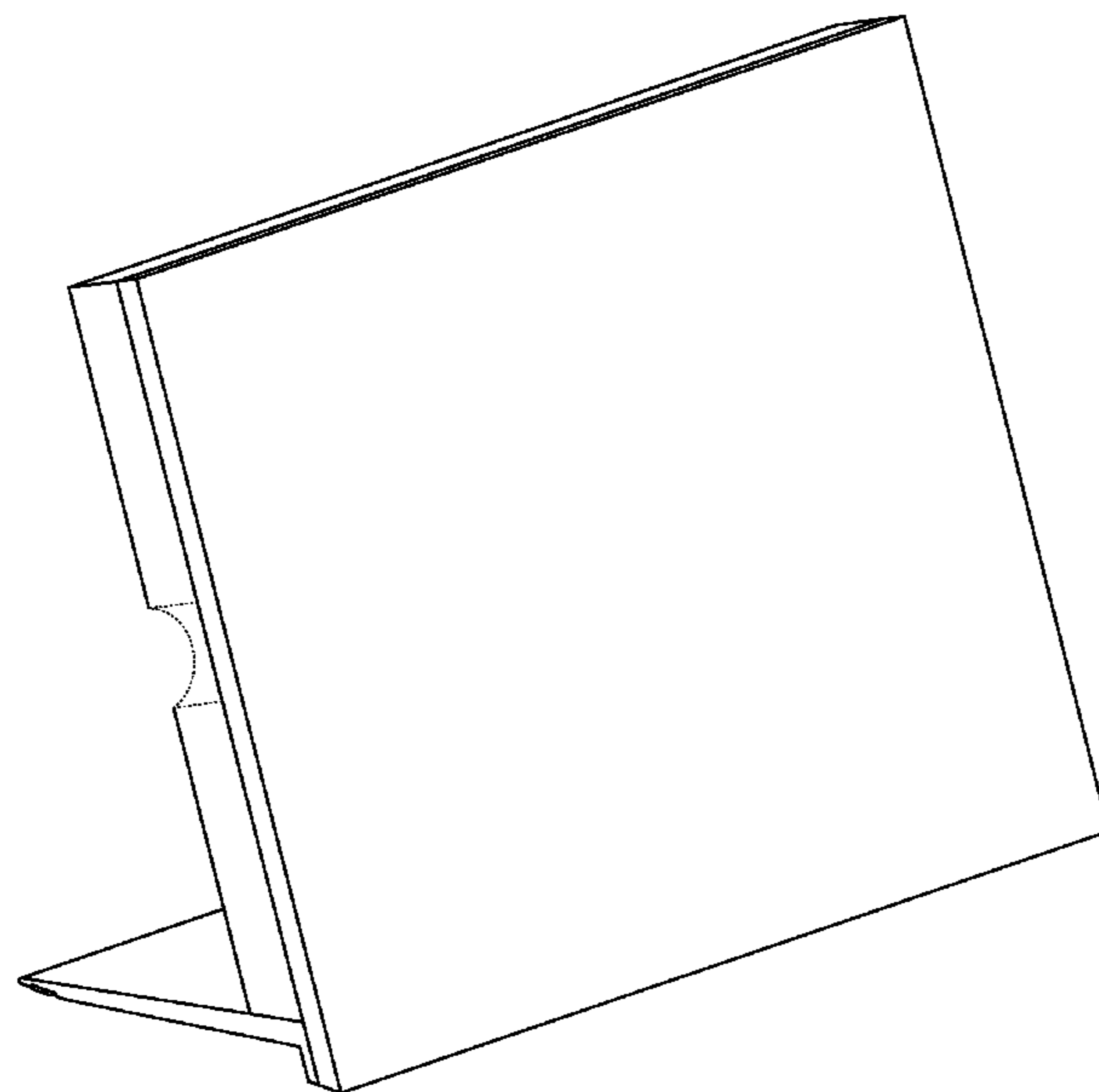
(57) **CLAIM**

The ornamental design for a sign holder, as shown and described.

DESCRIPTION

FIG. 1 is a front three-dimensional view of a first embodiment of a sign holder showing my new design;
 FIG. 2 is a front elevational view of the sign holder depicted in FIG. 1;
 FIG. 3 is a rear elevational view of the sign holder depicted in FIG. 1;
 FIG. 4 is a plan view of the sign holder depicted in FIG. 1;
 FIG. 5 is an underneath view of the sign holder depicted in FIG. 1;
 FIG. 6 is a side elevational view of the sign holder depicted in FIG. 1;
 FIG. 7 is an elevational view of the side opposite to that shown in FIG. 6;
 FIG. 8 is a front three-dimensional view of a second embodiment thereof;
 FIG. 9 is a front elevational view of the sign holder depicted in FIG. 8;
 FIG. 10 is a rear elevational view of the sign holder depicted in FIG. 8;
 FIG. 11 is a plan view of the sign holder depicted in FIG. 8;
 FIG. 12 is an underneath view of the sign holder depicted in FIG. 8;
 FIG. 13 is a side elevational view of the sign holder depicted in FIG. 8; and,
 FIG. 14 is an elevational view of the side opposite to that shown in FIG. 13.
 The broken lines illustrate portions of the sign holder and form no part of the claimed design.

1 Claim, 14 Drawing Sheets



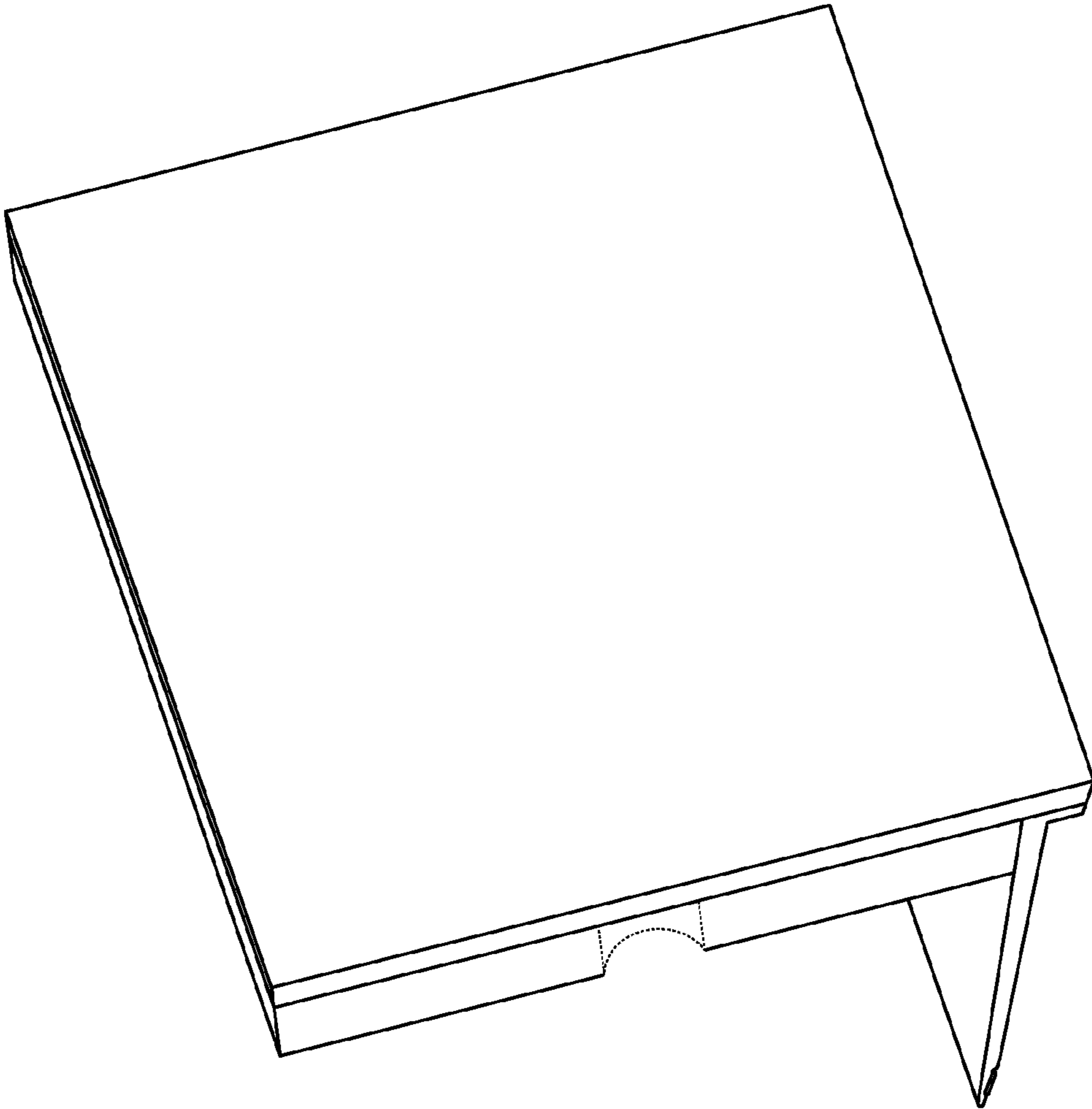


Fig. 1

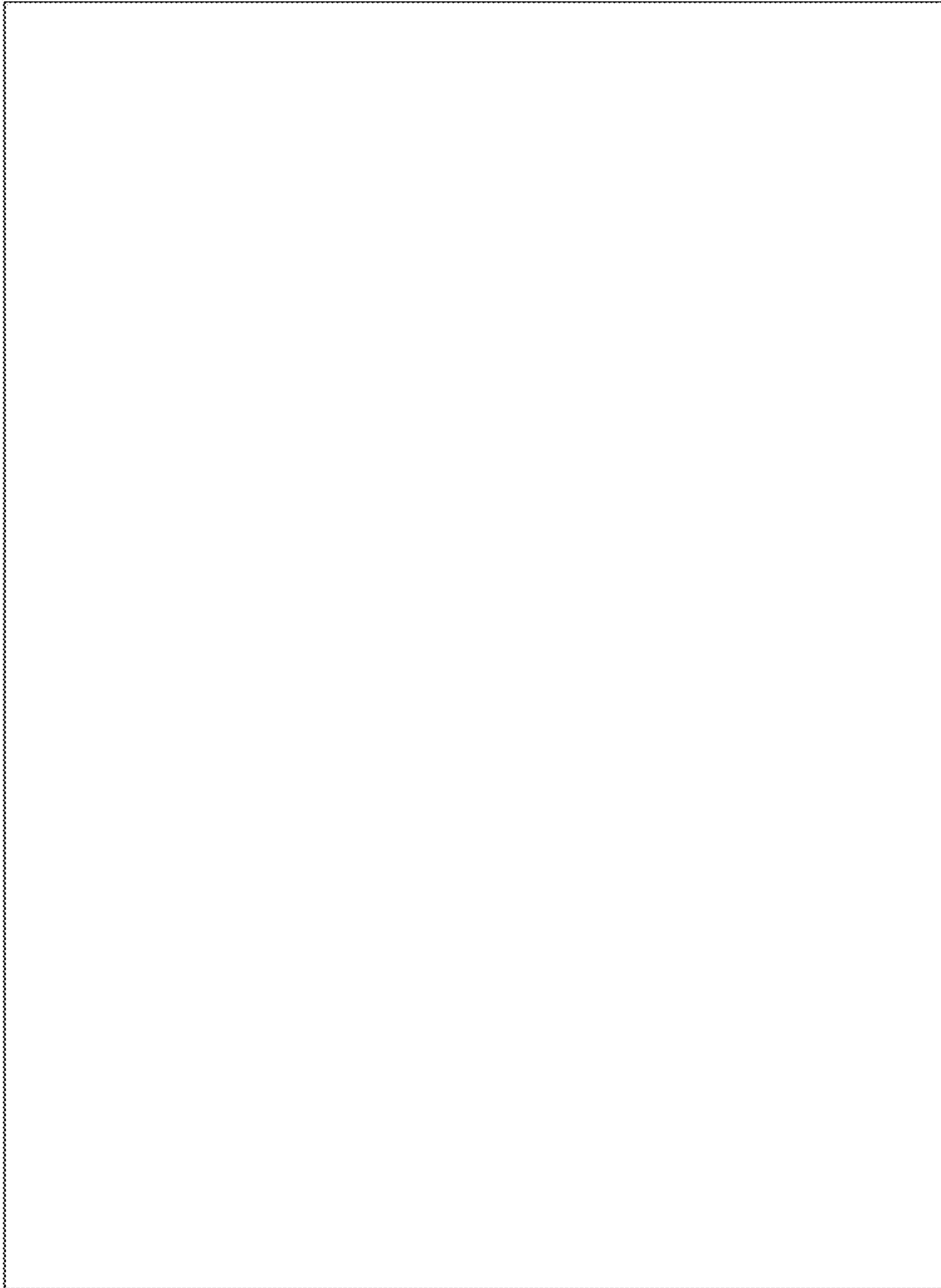


FIG. 2

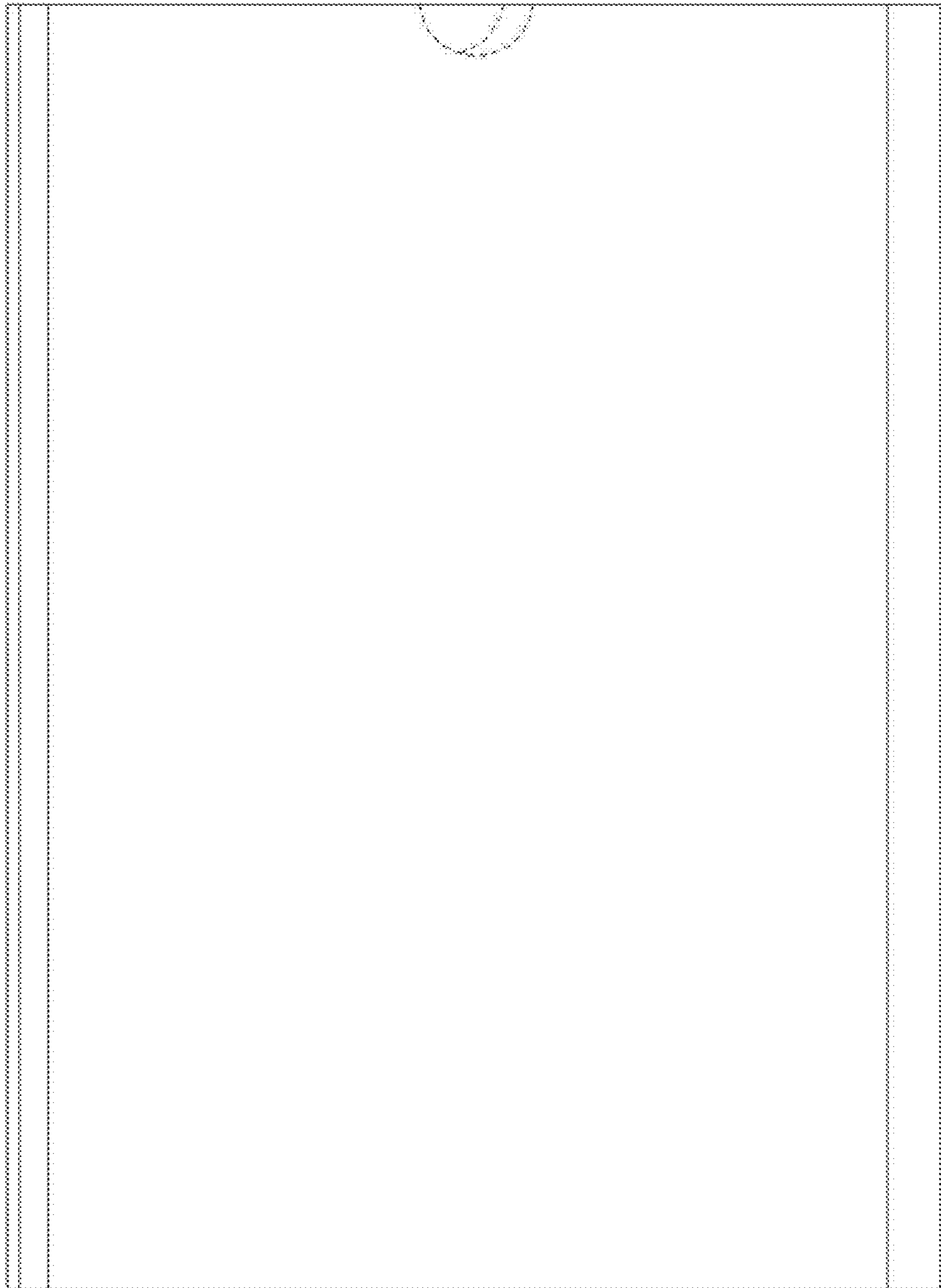


FIG. 3

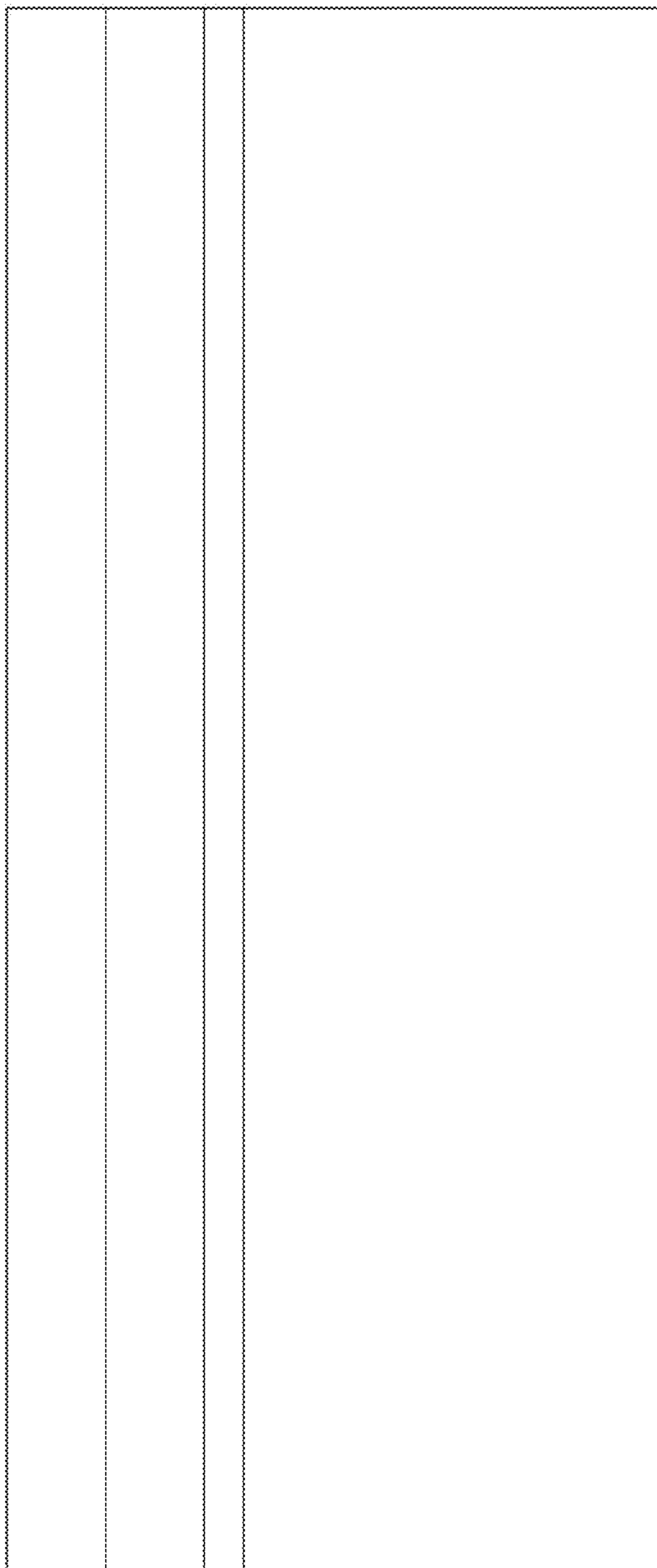


FIG. 4

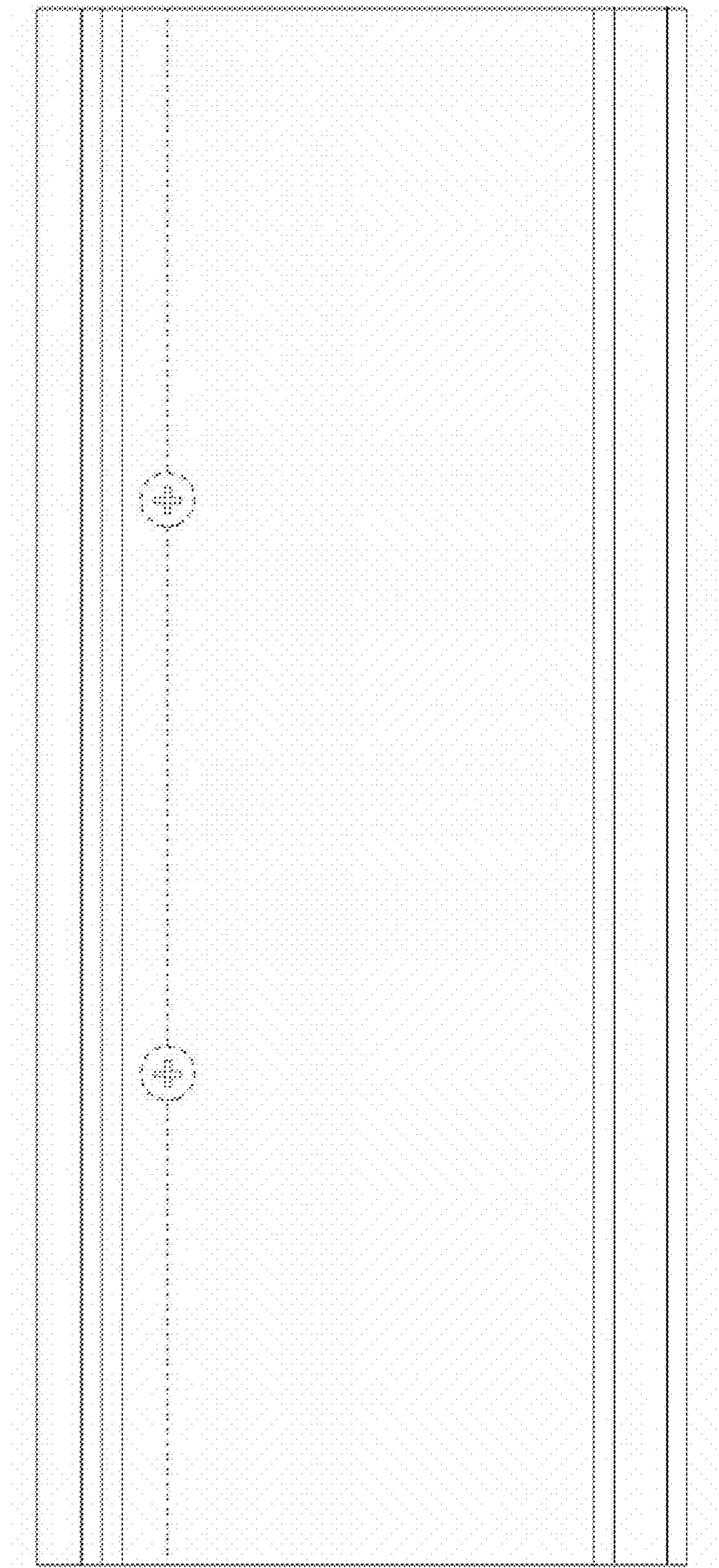


FIG. 5

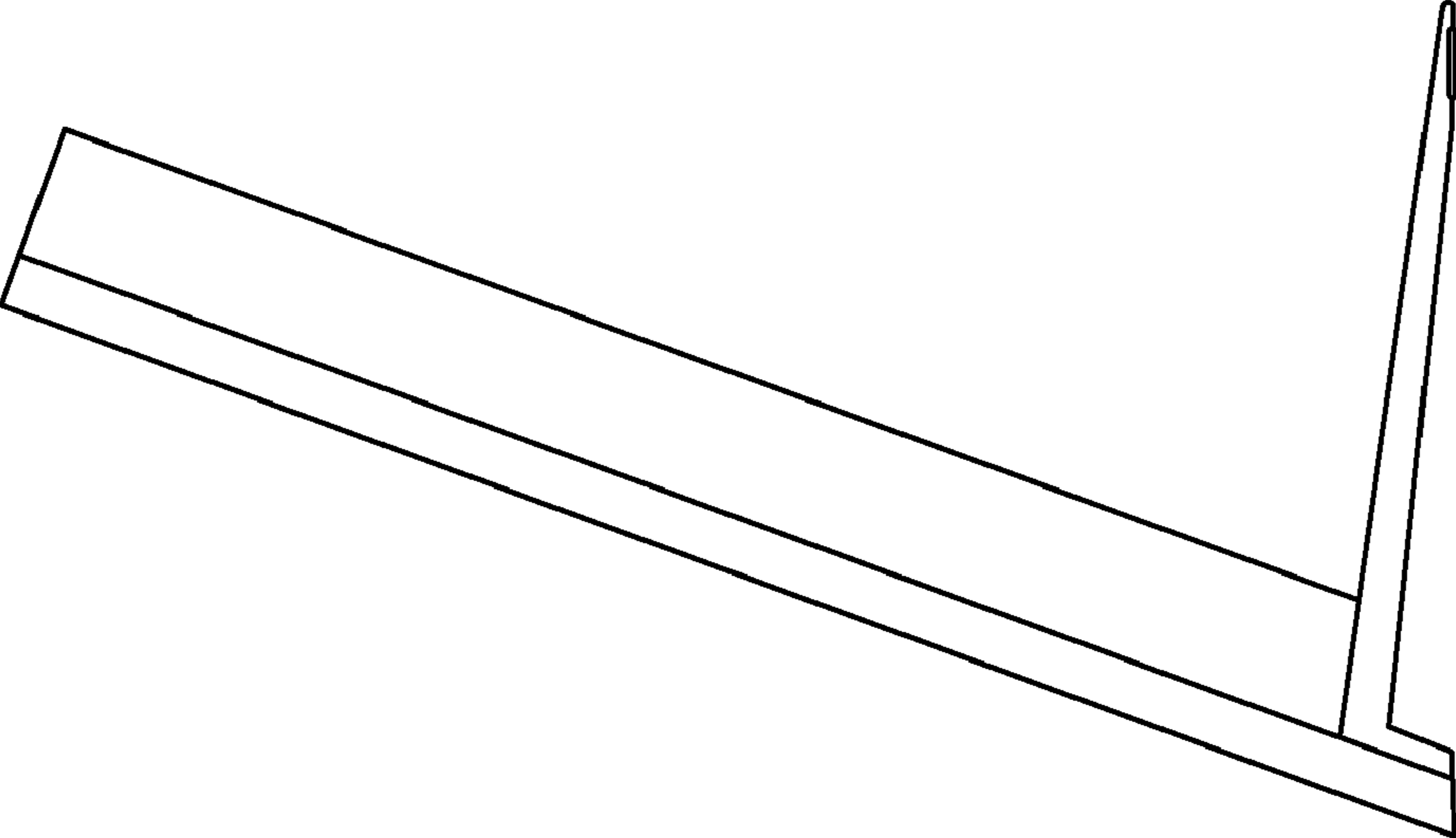


Fig. 6

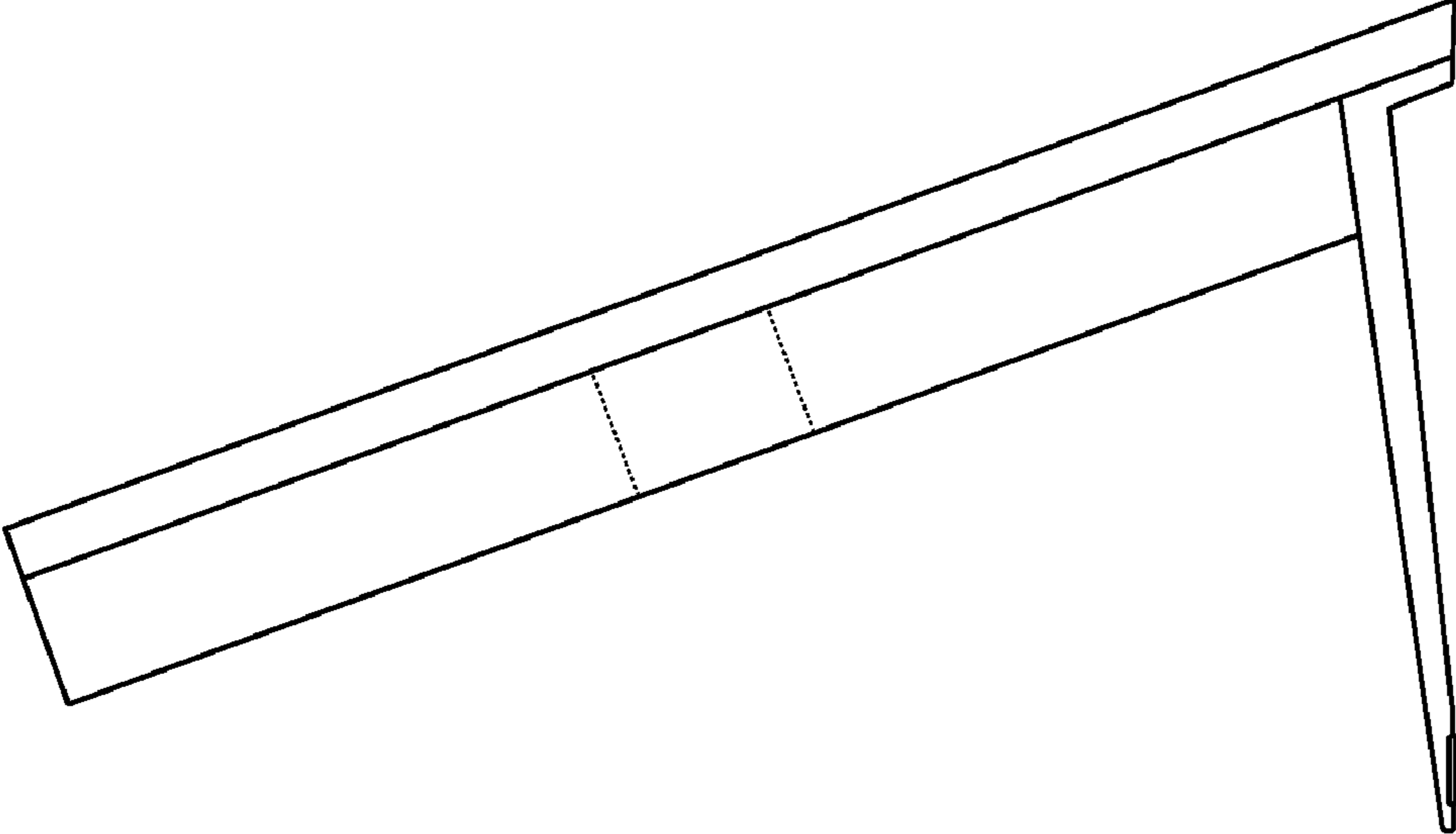


Fig. 7

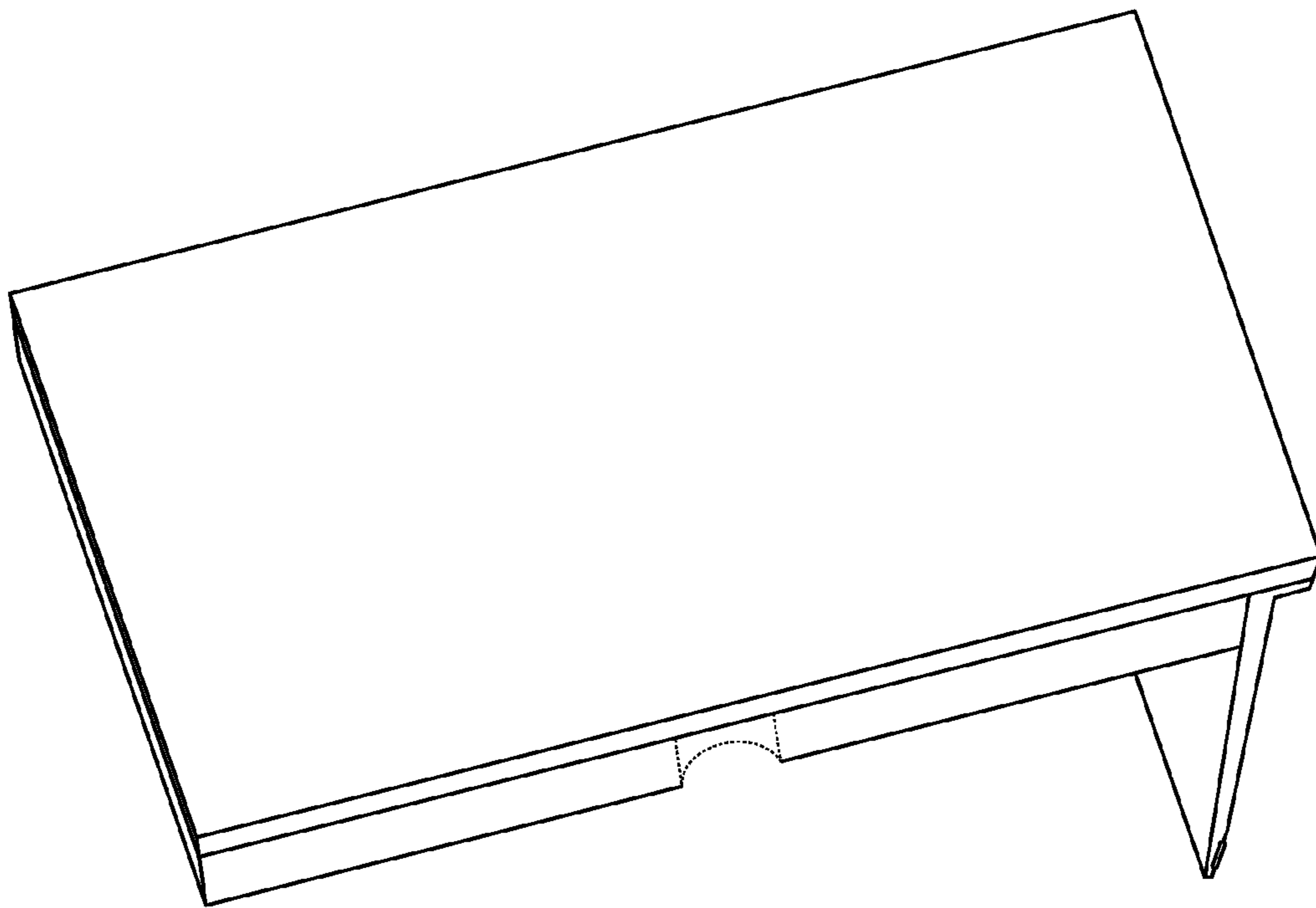


Fig. 8

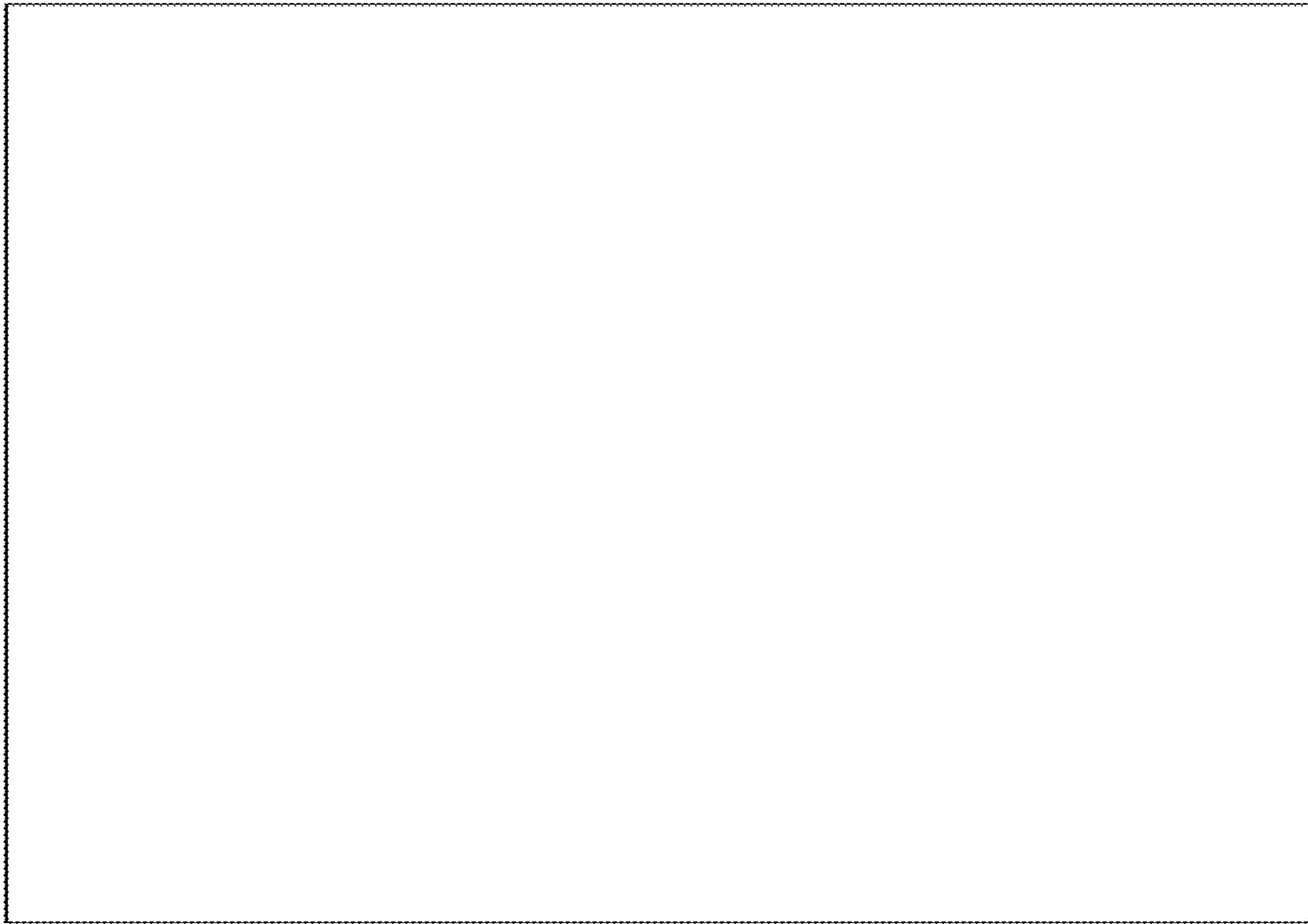


FIG. 9

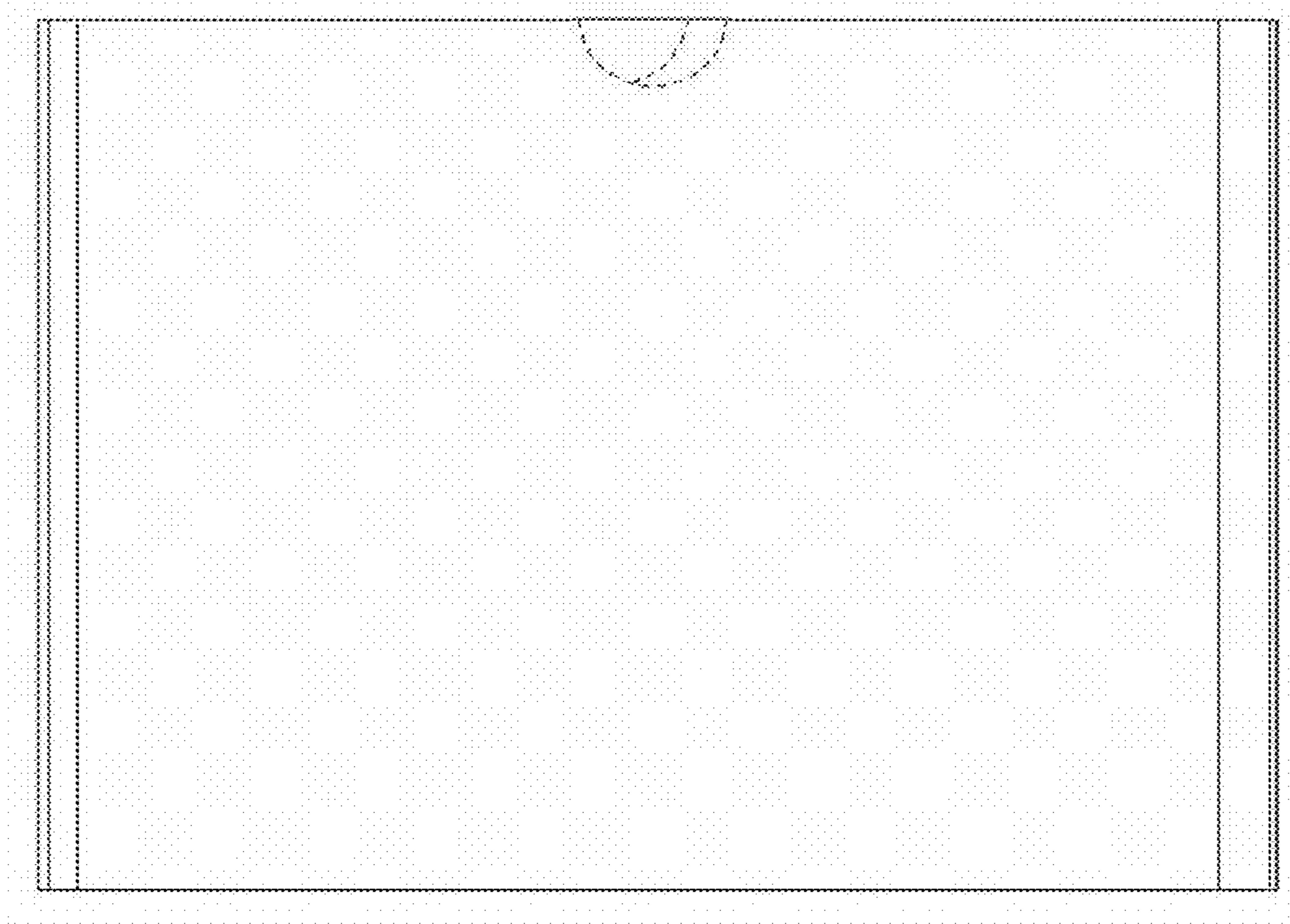


FIG. 10

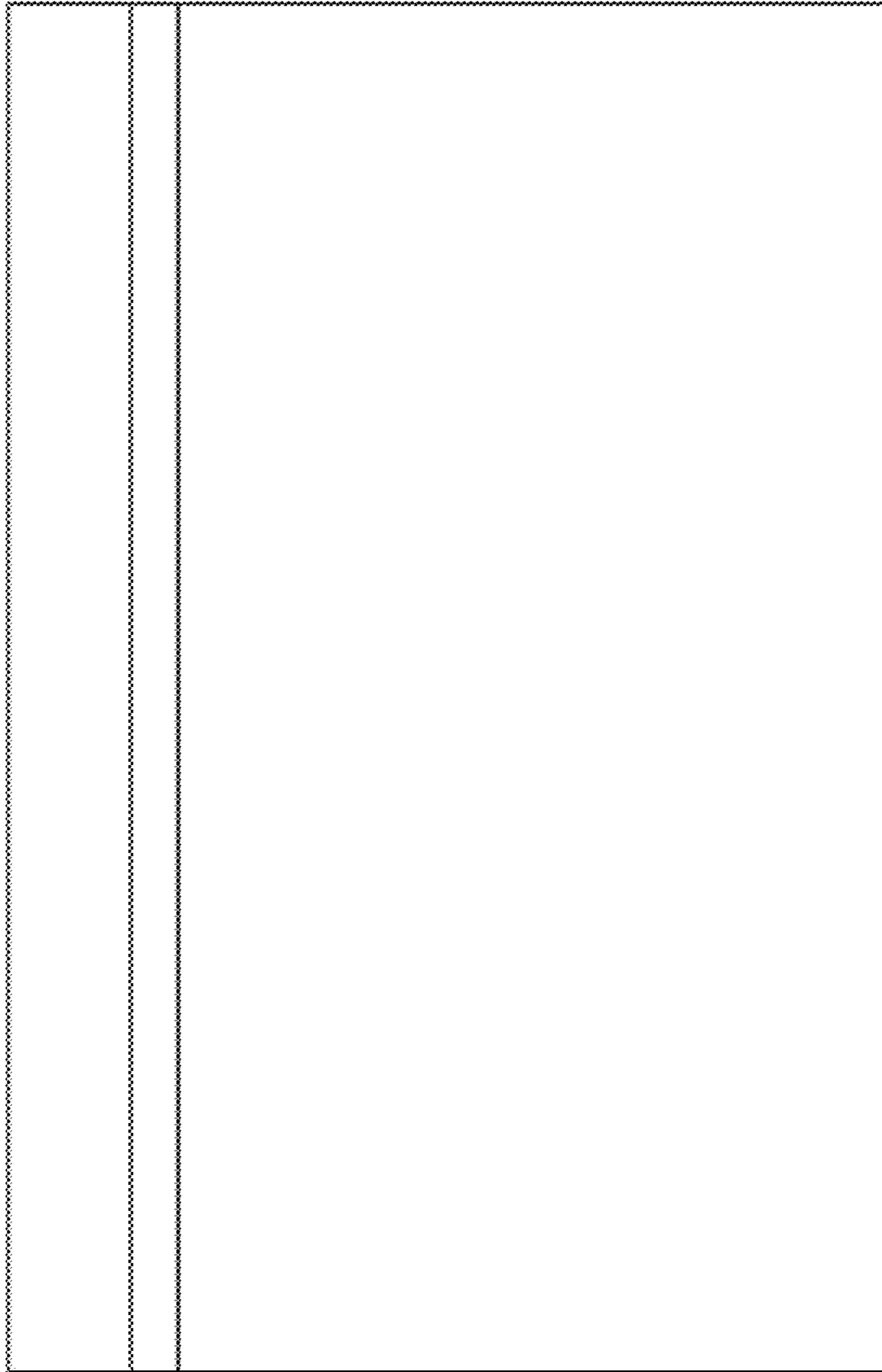


FIG. 11

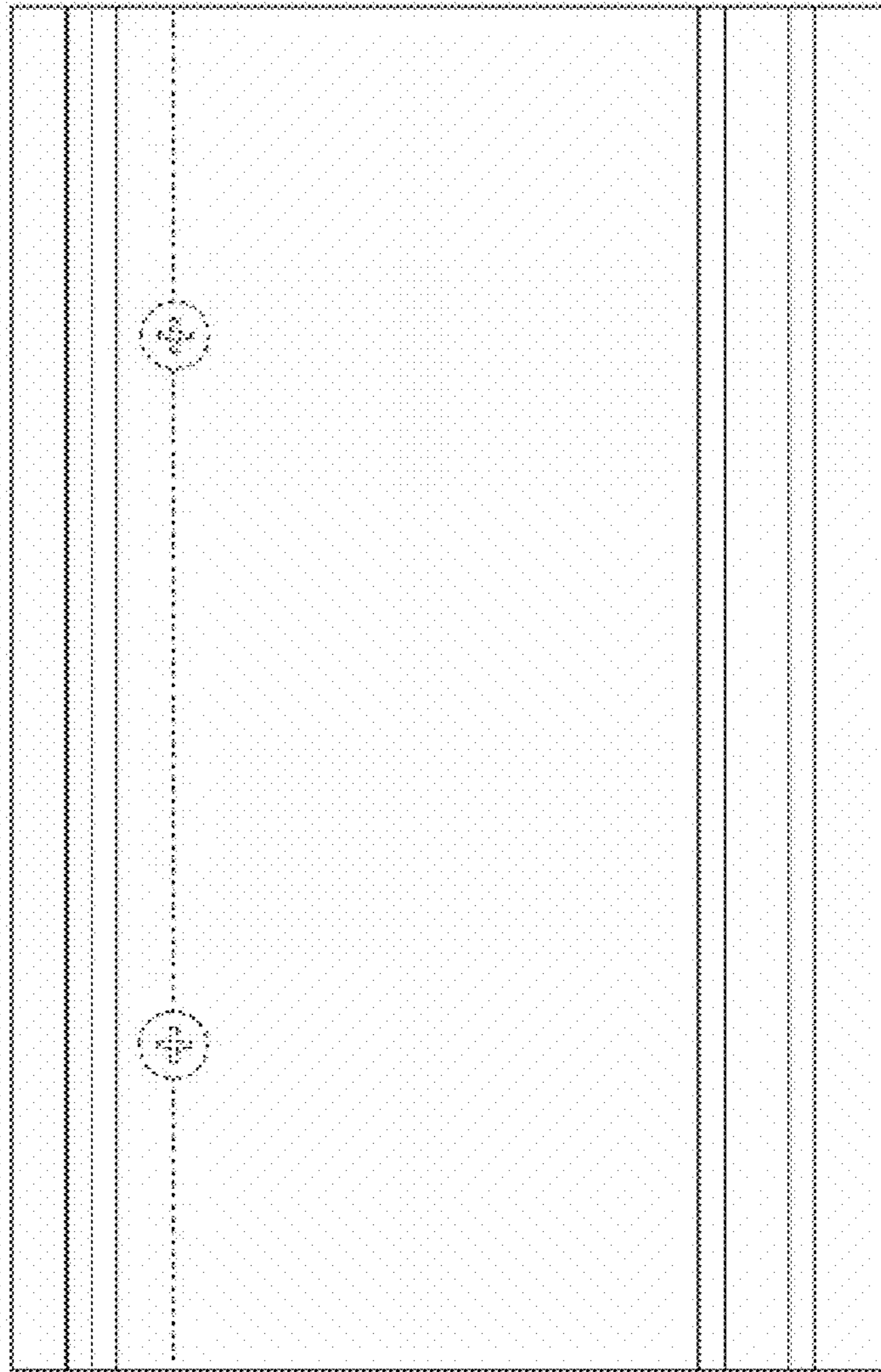


FIG. 12

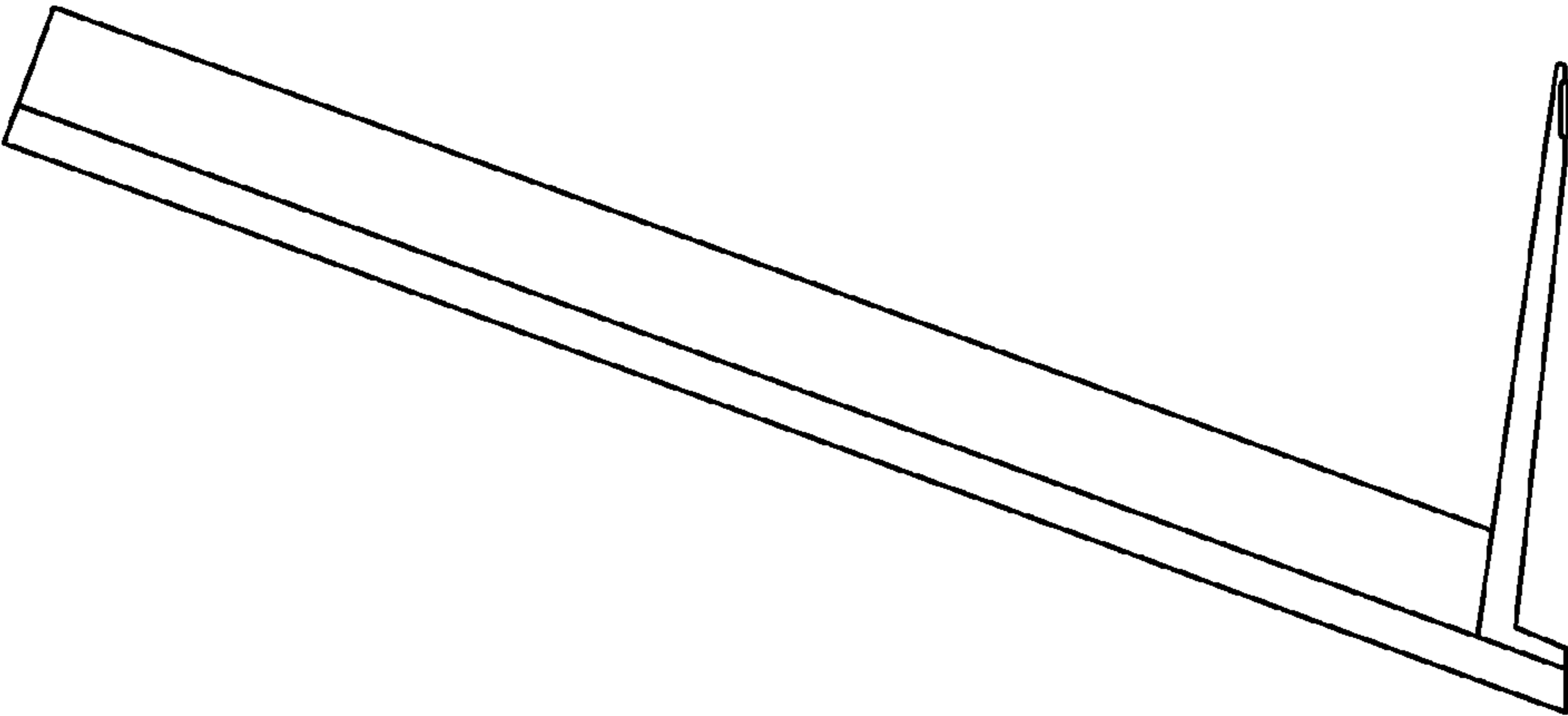


Fig. 13

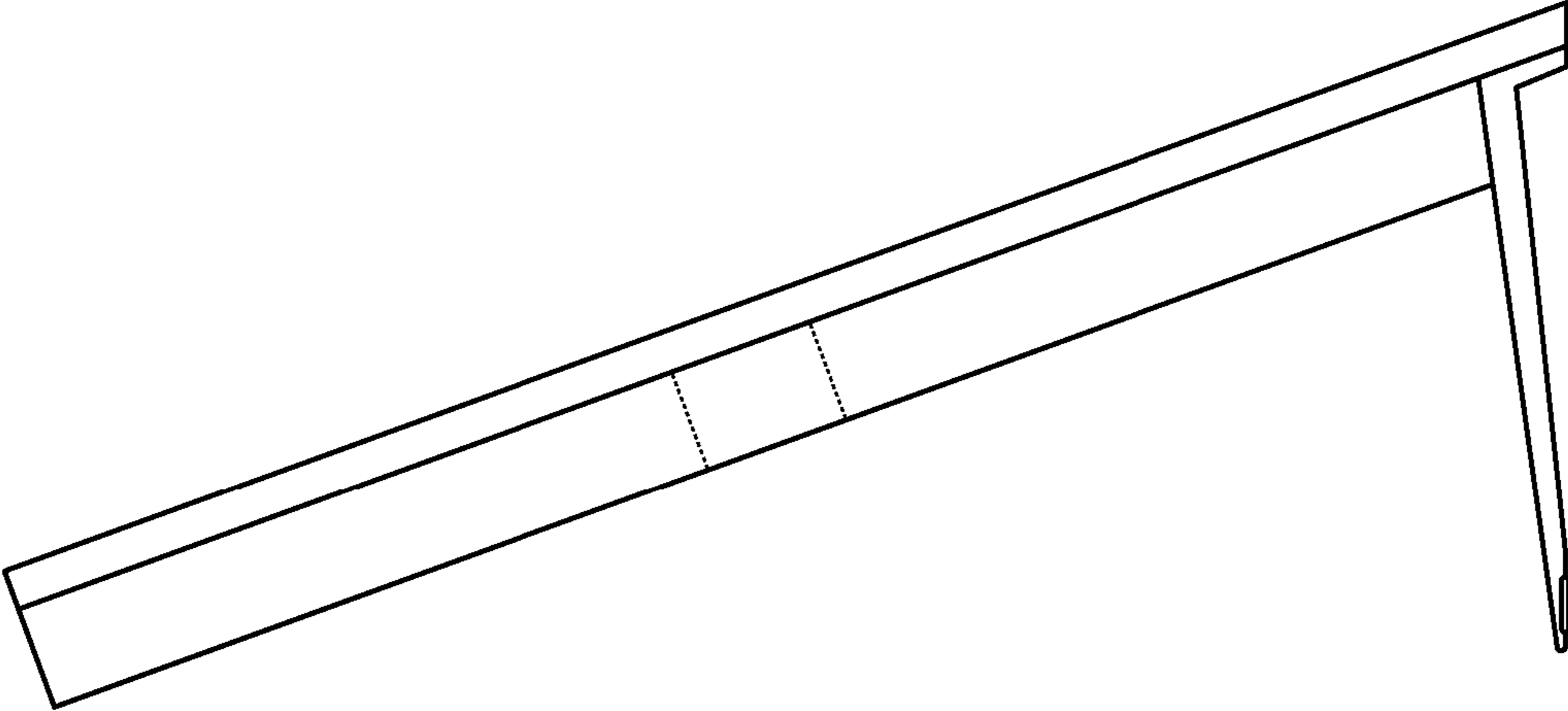


Fig. 14