



US00D678416S

(12) **United States Design Patent**
Tomiyoshi

(10) **Patent No.:** **US D678,416 S**

(45) **Date of Patent:** **** Mar. 19, 2013**

(54) **DOCUMENT VALIDATOR**

(75) Inventor: **Tetsuya Tomiyoshi**, Osaka (JP)

(73) Assignee: **Japan Cash Machine Co., Ltd.**, Osaka (JP)

(**) Term: **14 Years**

(21) Appl. No.: **29/427,567**

(22) Filed: **Jul. 19, 2012**

(30) **Foreign Application Priority Data**

Jan. 20, 2012 (JP) 2012-1015

(51) **LOC (9) Cl.** **20-01**

(52) **U.S. Cl.** **D20/8**

(58) **Field of Classification Search** D20/1-9;
194/239, 302, 306; D18/3.3, 14; D99/28,
D99/34, 99; 209/534; 235/380, 381; 221/21;
271/240

See application file for complete search history.

(56) **References Cited**

U.S. PATENT DOCUMENTS

D288,377	S *	2/1987	Kobayashi et al.	D20/9
4,993,587	A *	2/1991	Abe	221/21
D404,075	S *	1/1999	Hatamachi et al.	D20/8
6,149,150	A *	11/2000	Onipchenko et al.	271/240
6,345,760	B1 *	2/2002	Eason et al.	235/380
D476,688	S *	7/2003	Yu	D20/8

7,104,383	B1 *	9/2006	Saltsov et al.	194/206
D614,237	S *	4/2010	Hagiwara et al.	D20/8
D614,702	S *	4/2010	Tomiyoshi et al.	D20/8
D623,694	S *	9/2010	Tomiyoshi et al.	D20/8
D624,968	S *	10/2010	Tomiyoshi et al.	D20/8
2002/0162775	A1 *	11/2002	Saltsov et al.	209/534
2007/0170249	A1 *	7/2007	Rademacher	235/381

* cited by examiner

Primary Examiner — Mary Ann Calabrese

(74) *Attorney, Agent, or Firm* — Bachman & LaPointe, P.C.

(57) **CLAIM**

The ornamental design for a document validator, as shown and described.

DESCRIPTION

FIG. 1 is a front elevation view of the document validator according to the new design;
 FIG. 2 is a rear elevation view;
 FIG. 3 is a right side elevation view;
 FIG. 4 is a left side elevation view;
 FIG. 5 is a plan view;
 FIG. 6 is a bottom view;
 FIG. 7 is a front perspective view thereof from the right upper side;
 FIG. 8 is a front perspective view thereof from the left upper side;
 FIG. 9 is a rear perspective view thereof from the right upper side; and,
 FIG. 10 is a rear perspective view thereof from the left upper side.

1 Claim, 10 Drawing Sheets

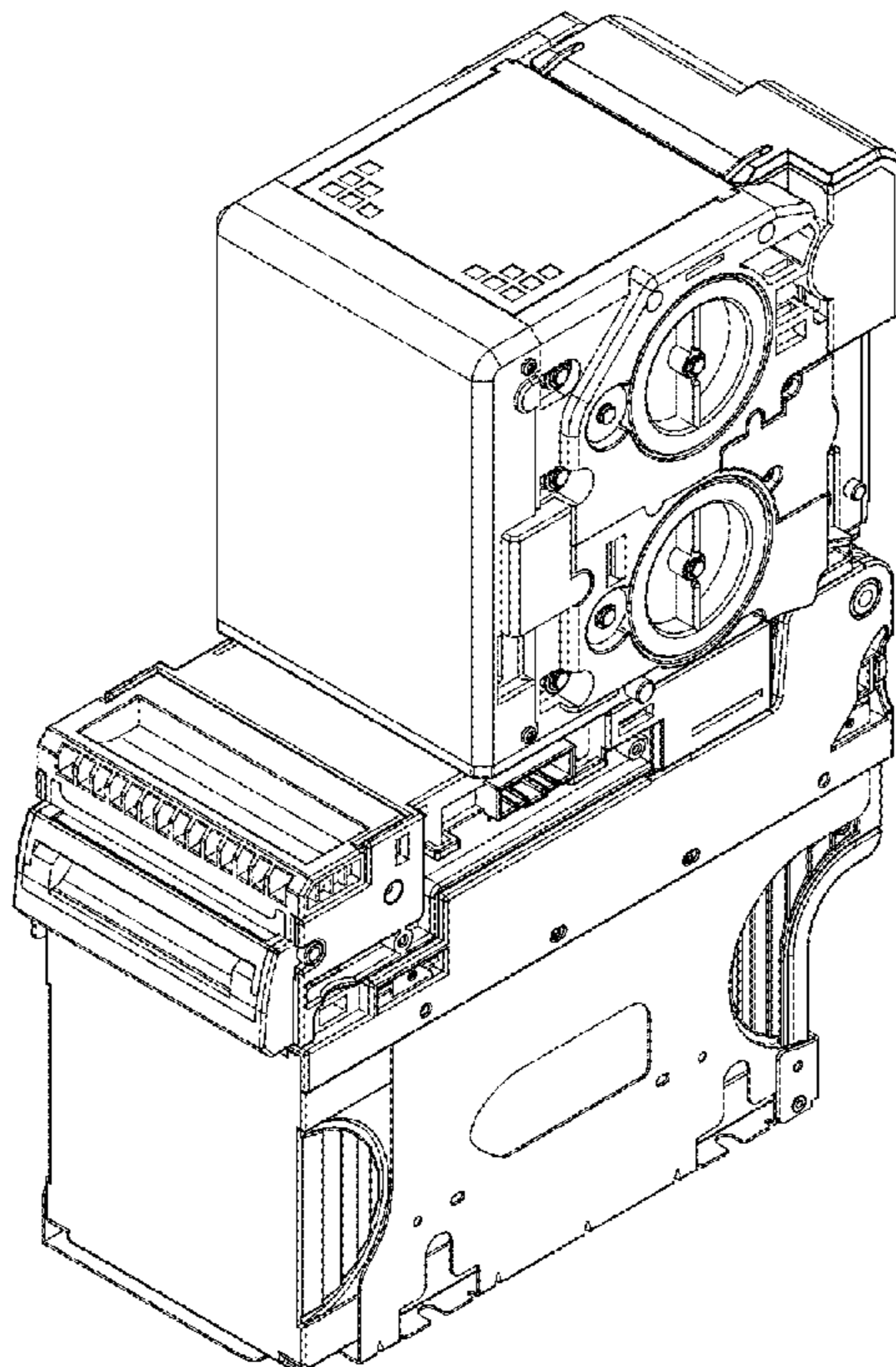


FIG. 1

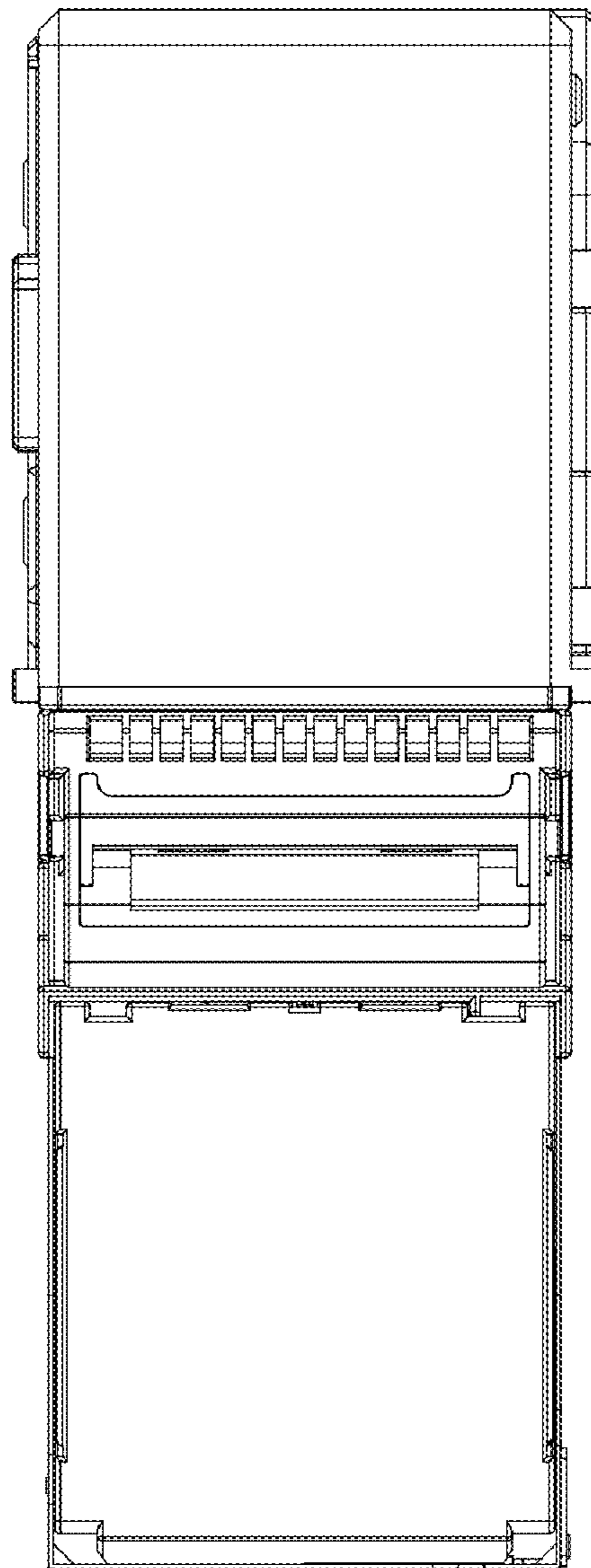


FIG. 2

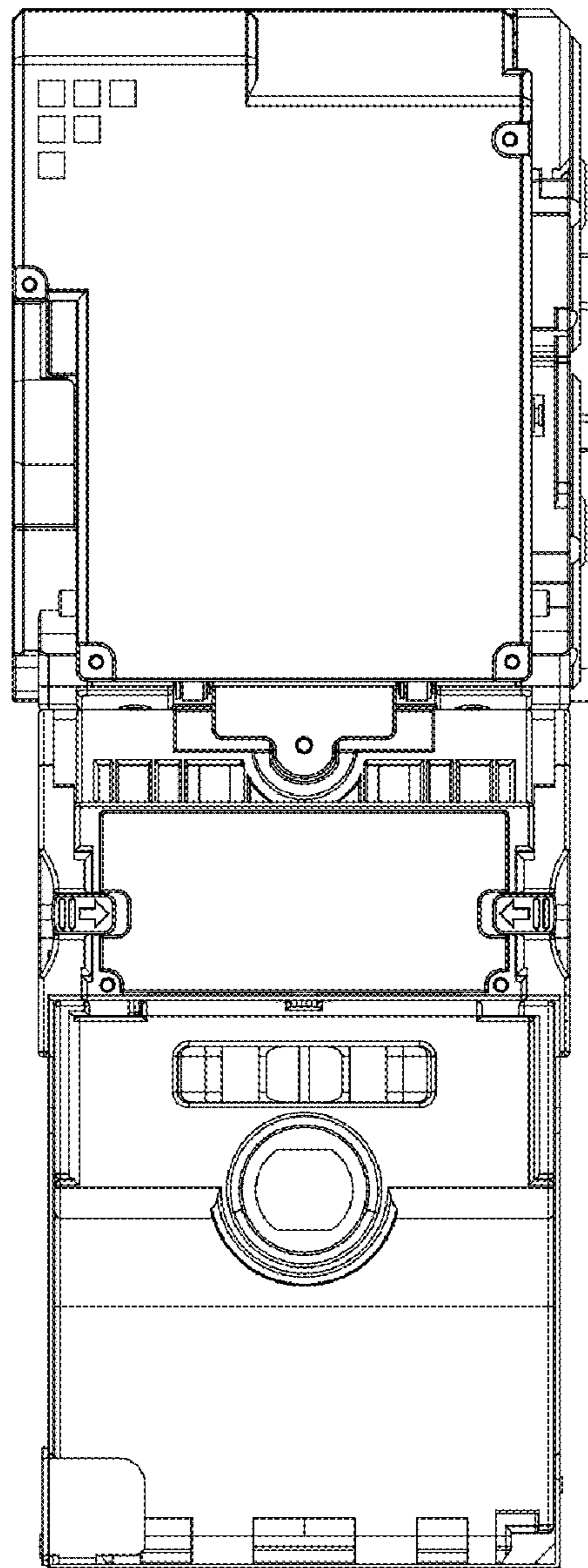


FIG. 3

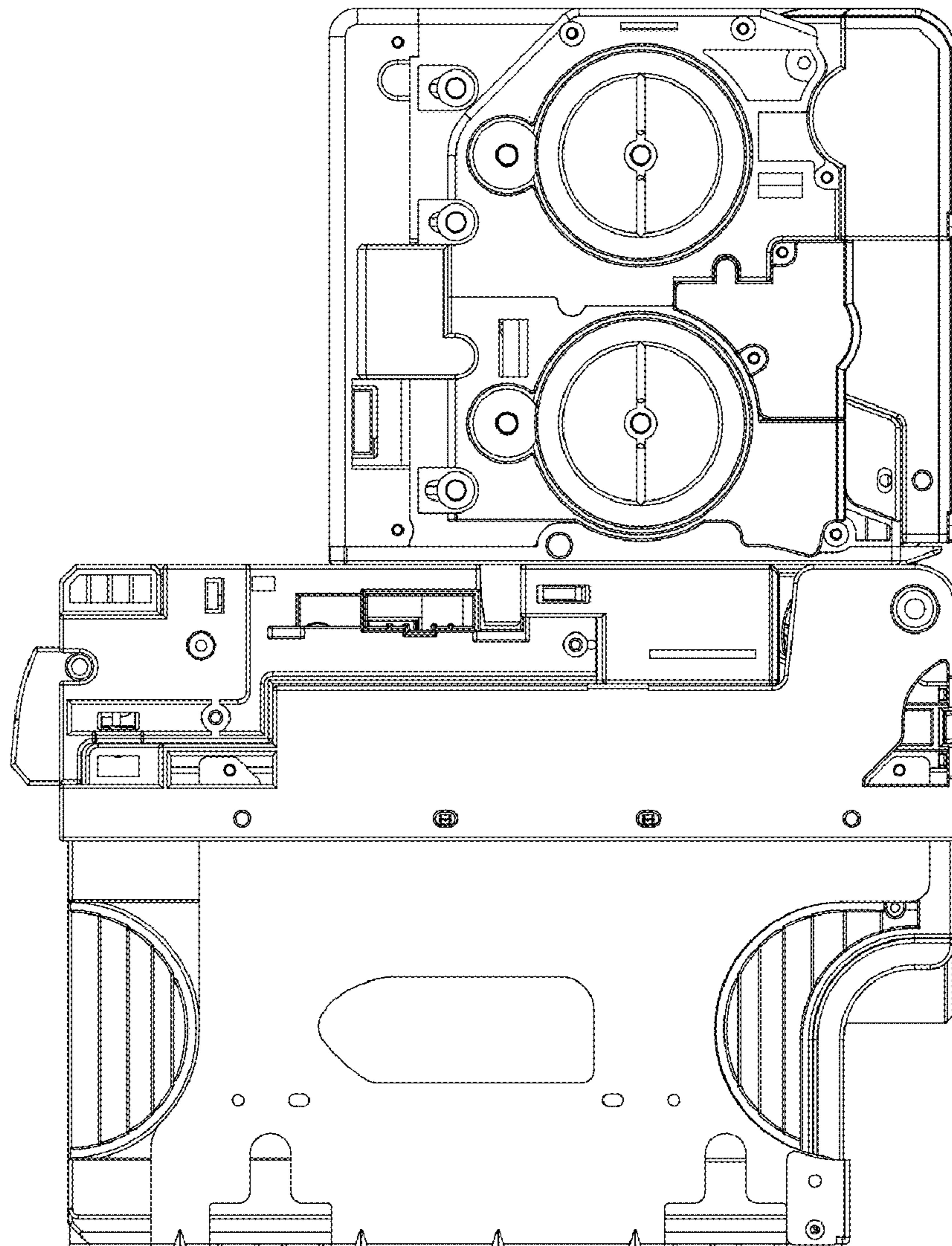


FIG. 4

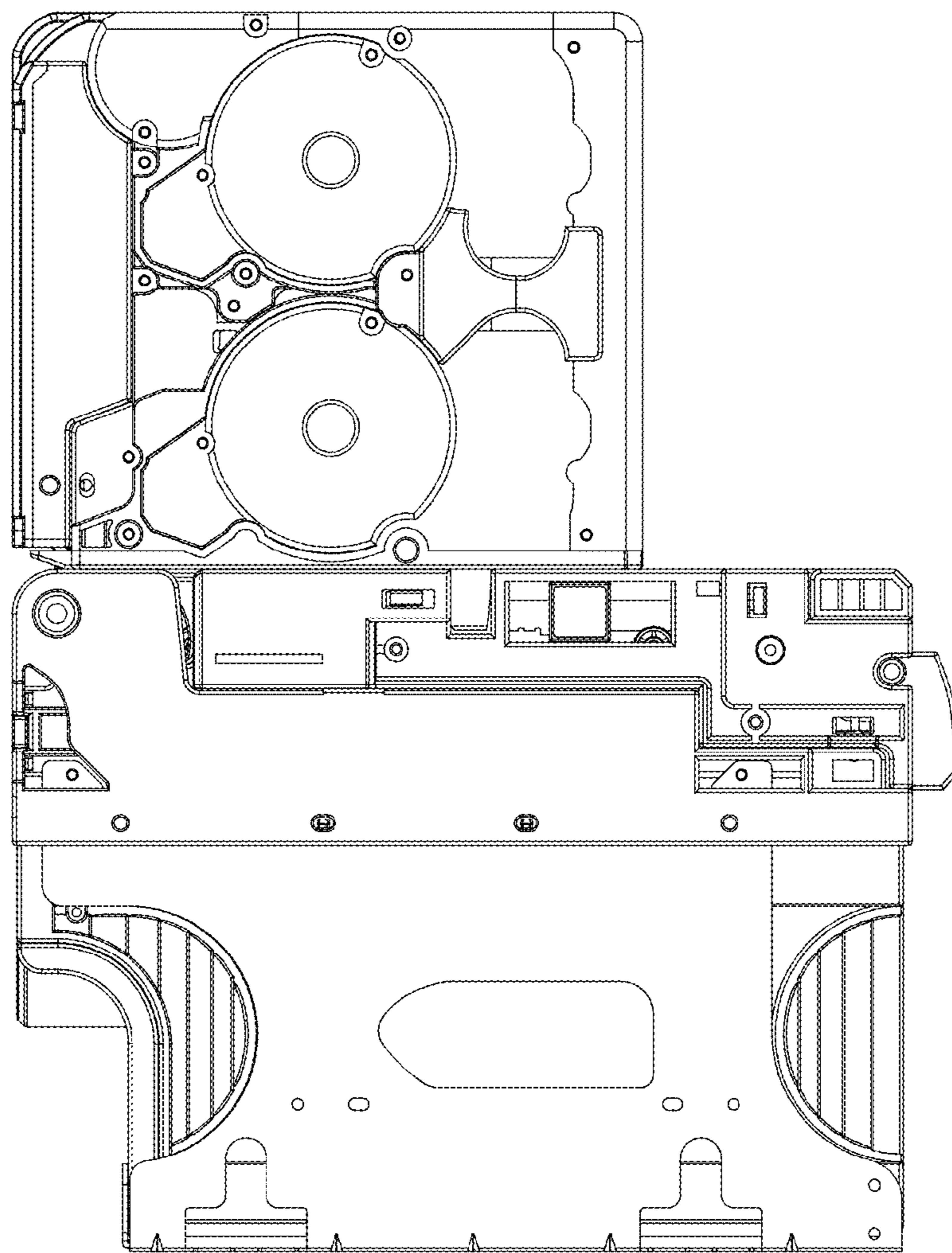


FIG. 5

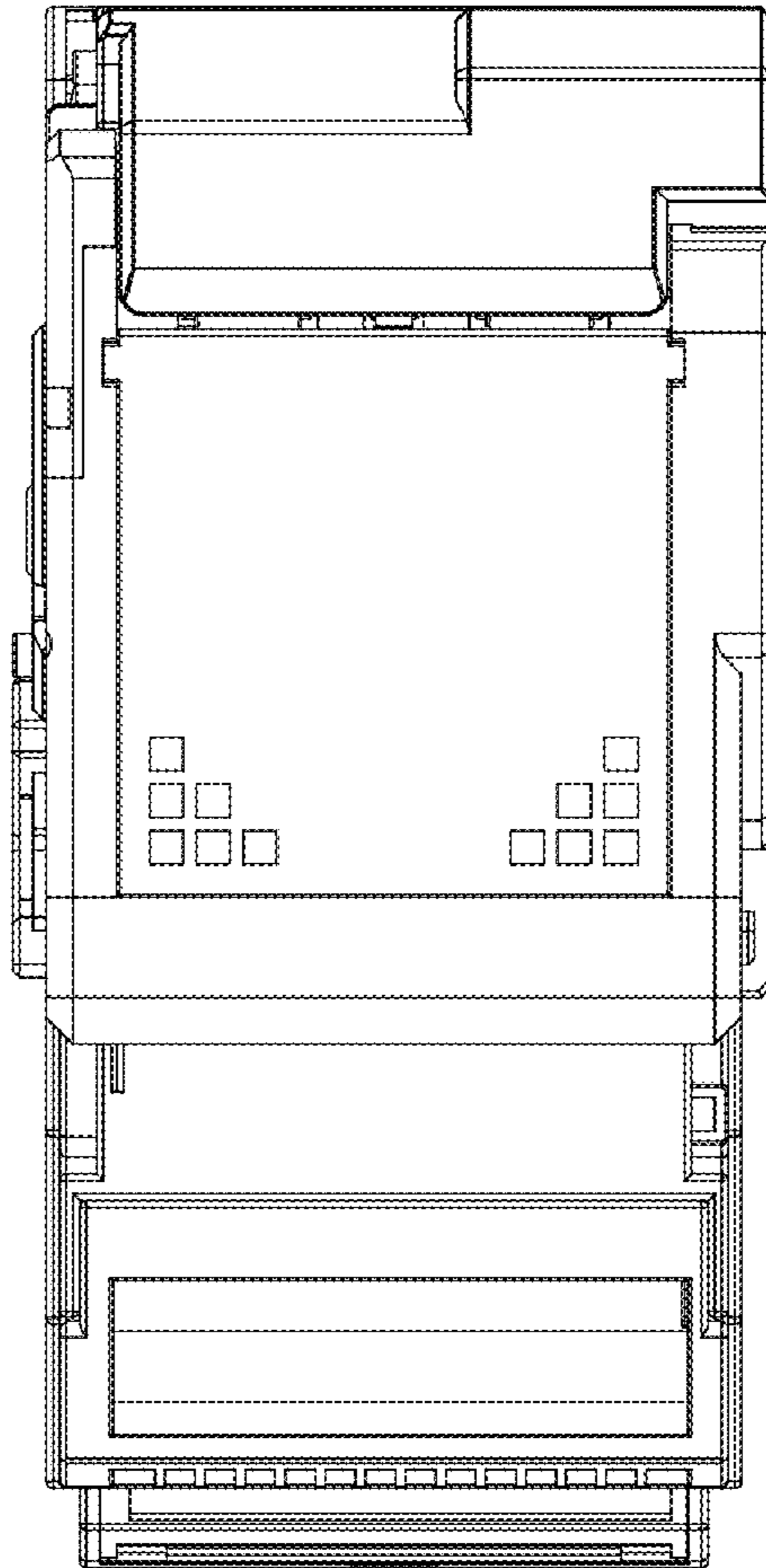


FIG. 6

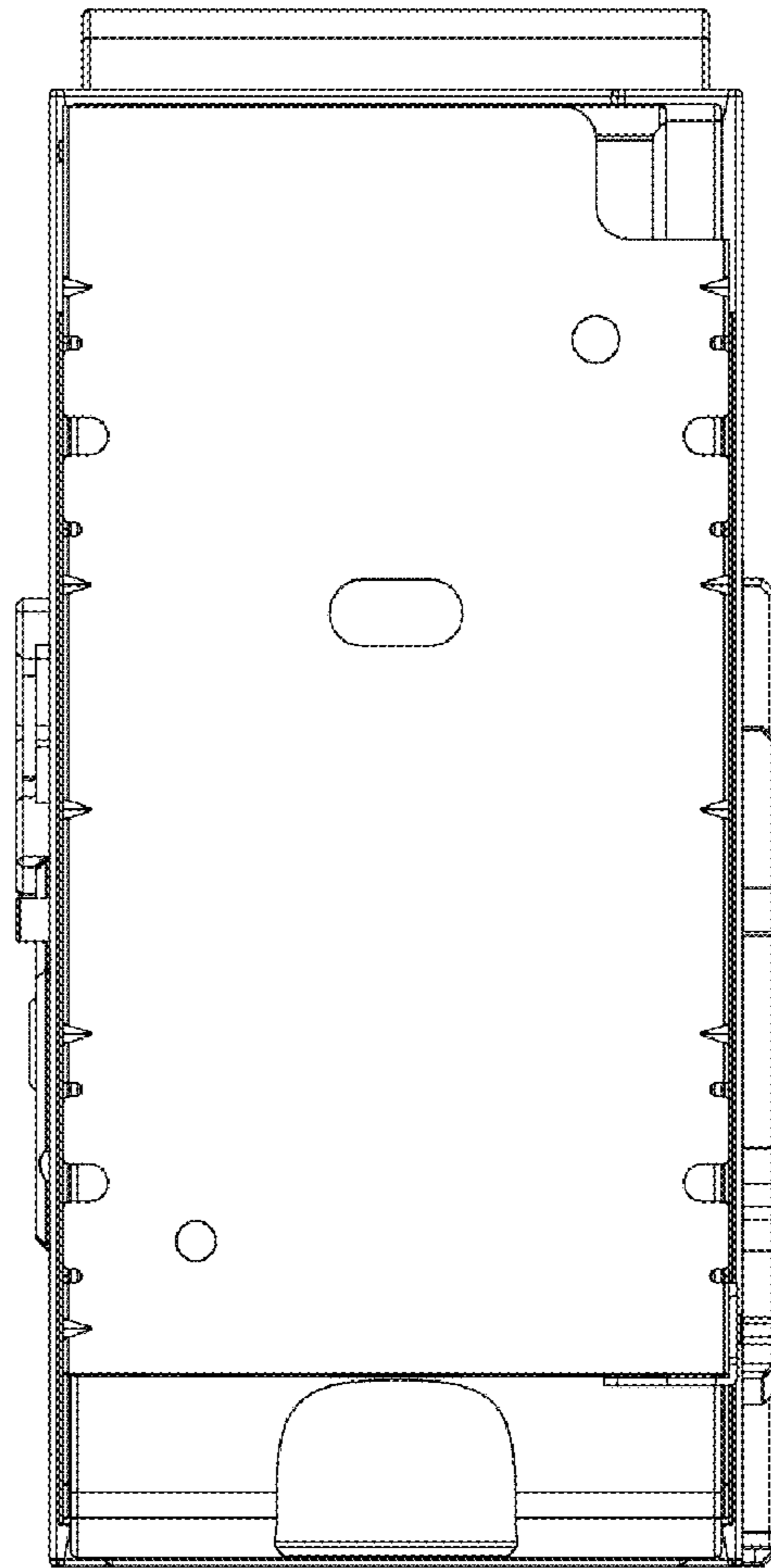


FIG. 7

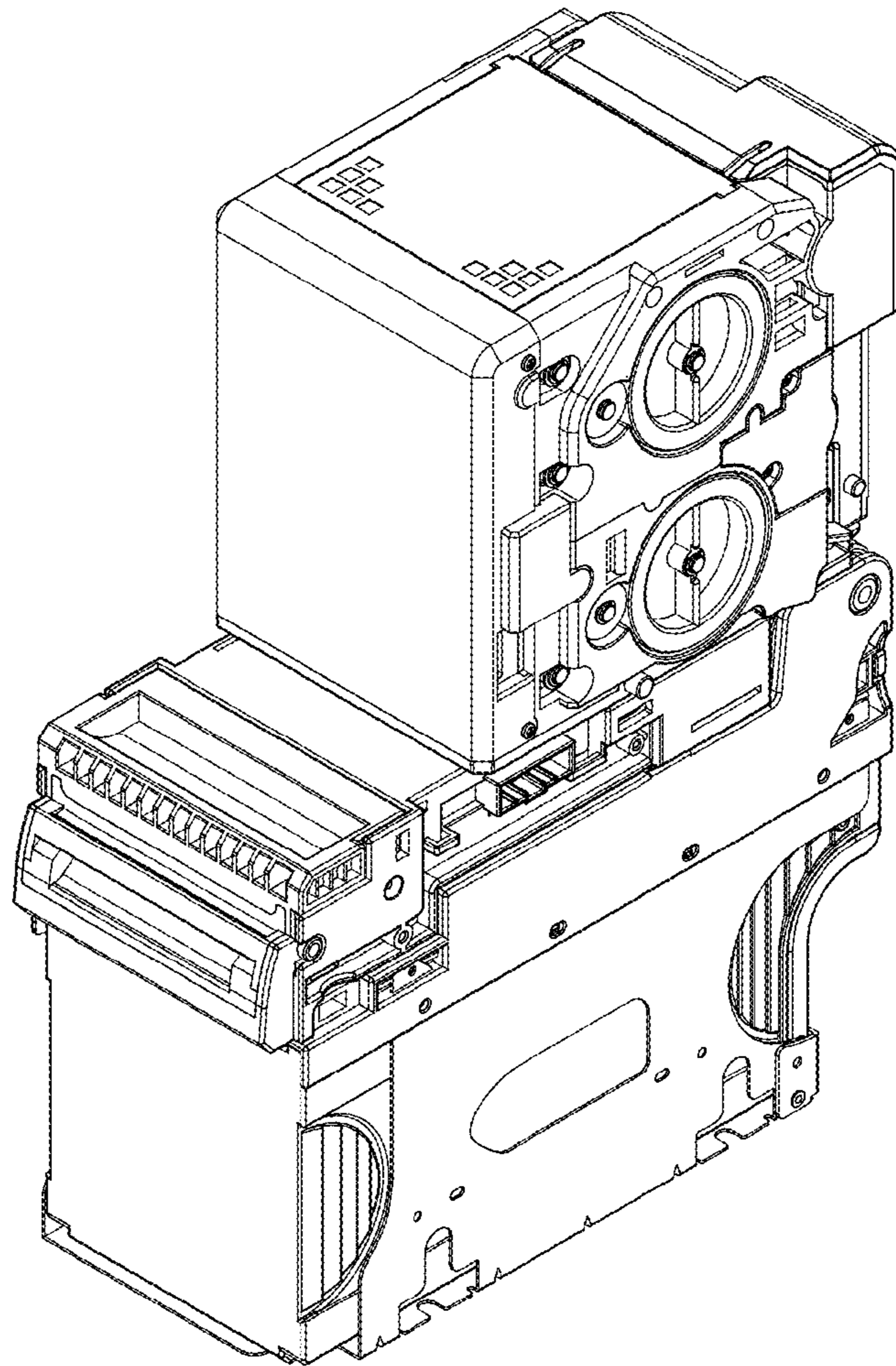


FIG. 8

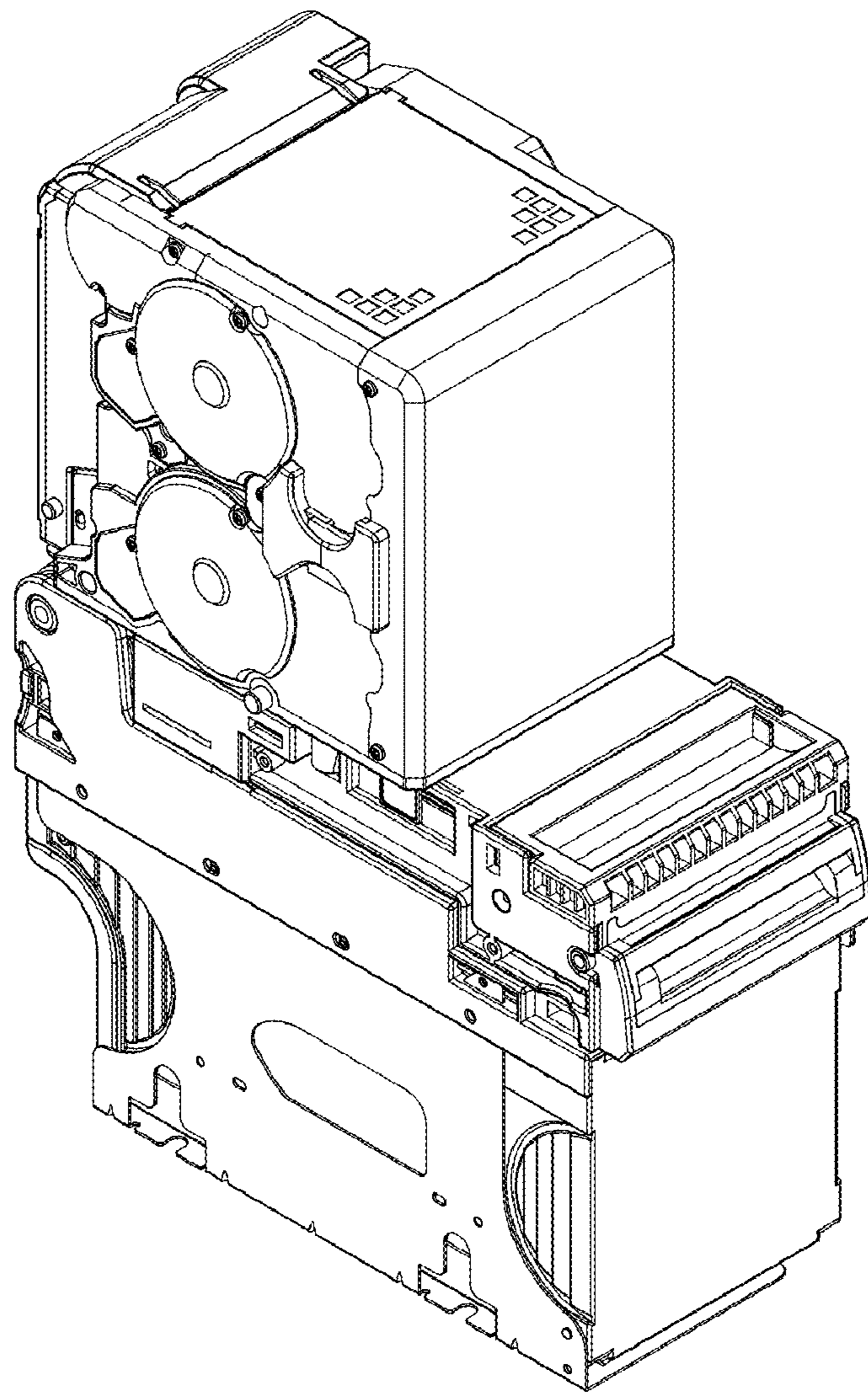


FIG. 9

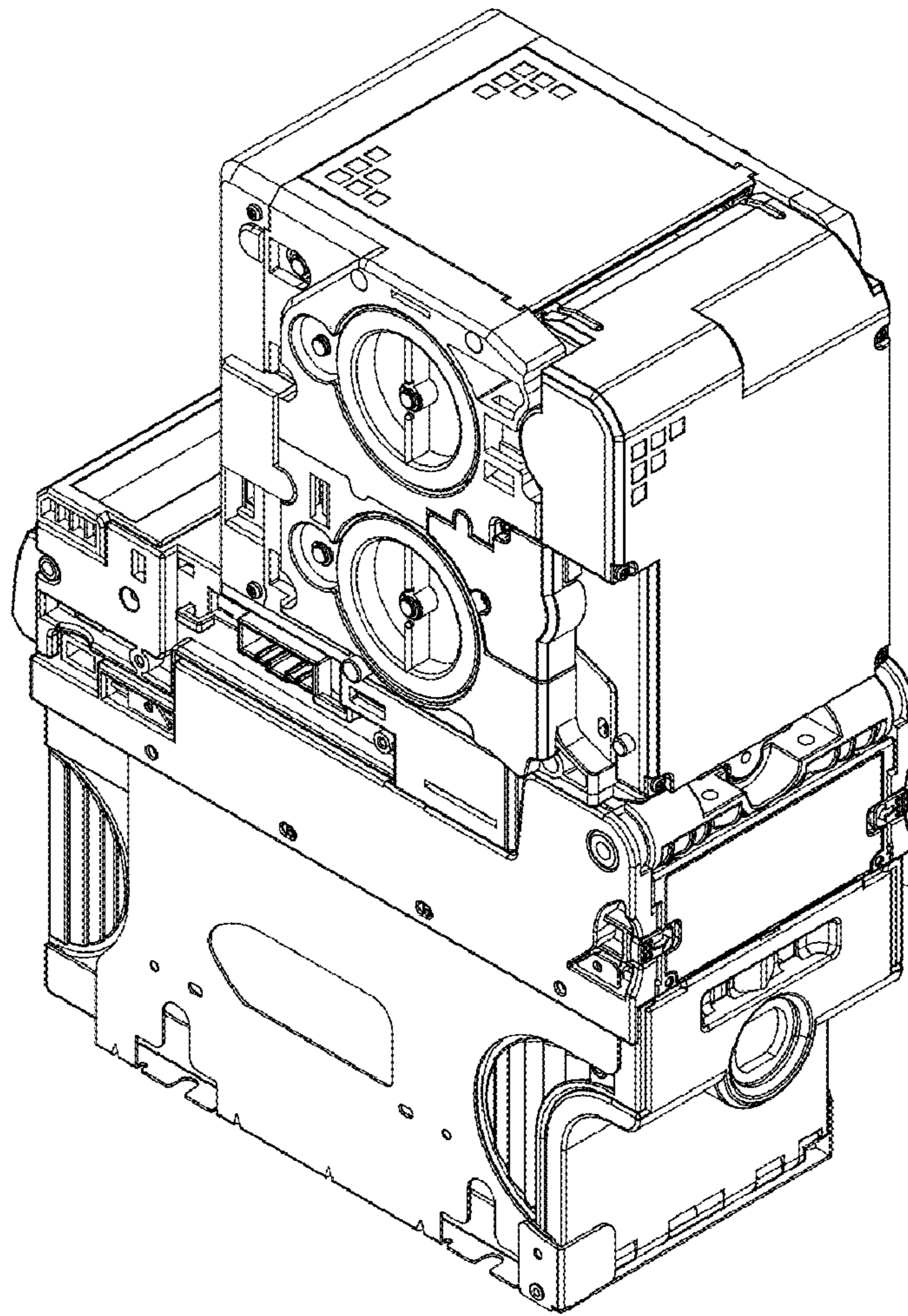


FIG. 10

