



US00D678411S

(12) **United States Design Patent**
Lin

(10) **Patent No.:** **US D678,411 S**
(45) **Date of Patent:** **** Mar. 19, 2013**

- (54) **STRIP FOR TEACHING-AID**
- (75) Inventor: **Wen-Yuan Lin**, New Taipei (TW)
- (73) Assignee: **Youth Toy Enterprises Co., Ltd.**, New Taipei (TW)
- (**) Term: **14 Years**
- (21) Appl. No.: **29/417,389**
- (22) Filed: **Apr. 3, 2012**
- (51) **LOC (9) Cl.** **19-07**
- (52) **U.S. Cl.** **D19/59**
- (58) **Field of Classification Search** D19/35-37, D19/54, 56, 59, 62, 64, 99, 60; D8/330, D8/349, 353-355, 499; D10/62-64, 71, D10/73-74; D21/791, 789; 434/81, 85, 434/87-89, 187; 33/1 G, 1 M, 1 N, 18.3, 33/32.1, 403, 473

See application file for complete search history.

(56) **References Cited**

U.S. PATENT DOCUMENTS

1,009,214	A	*	11/1911	Grossley	33/473
2,214,999	A	*	9/1940	Hullinger	33/403
D246,441	S	*	11/1977	Bergendorff	D10/71
D265,211	S	*	6/1982	Knight	D19/99
D278,068	S	*	3/1985	Sager	D10/64
D292,296	S	*	10/1987	Wood	D10/71
D293,086	S	*	12/1987	LeMarie	D19/36
D314,712	S	*	2/1991	Kunz	D10/62
D339,376	S	*	9/1993	Abe	D19/35
D368,929	S	*	4/1996	McCubbin	D19/37
D376,618	S	*	12/1996	Hix	D19/35
D384,385	S	*	9/1997	Farage	D21/791
D403,018	S	*	12/1998	Powell	D19/59
D406,538	S	*	3/1999	Cornell et al.	D10/71

D426,851	S	*	6/2000	Carroll	D19/37
D447,068	S	*	8/2001	Carlson et al.	D10/71
D457,052	S	*	5/2002	Snyder	D8/349
D480,109	S	*	9/2003	Jeffirs et al.	D19/60
D481,071	S	*	10/2003	Jeffirs et al.	D19/60
D486,183	S	*	2/2004	DeMaison	D19/59
D531,220	S	*	10/2006	Lira-N nez	D19/59
D558,849	S	*	1/2008	Taira et al.	D21/791
D585,939	S	*	2/2009	Lin	D19/59
D585,940	S	*	2/2009	Lin	D19/62
D596,511	S	*	7/2009	Bahler	D10/63
D599,193	S	*	9/2009	Meyer et al.	D8/354
D635,214	S	*	3/2011	Johansen	D21/791
D640,763	S	*	6/2011	Jones et al.	D21/789
D652,868	S	*	1/2012	Hyde	D19/37
D672,001	S	*	12/2012	Whitfield	D21/791

* cited by examiner

Primary Examiner — T. Chase Nelson

Assistant Examiner — Mark Cavanna

(74) *Attorney, Agent, or Firm* — Muncy, Geissler, Olds & Lowe, PLLC

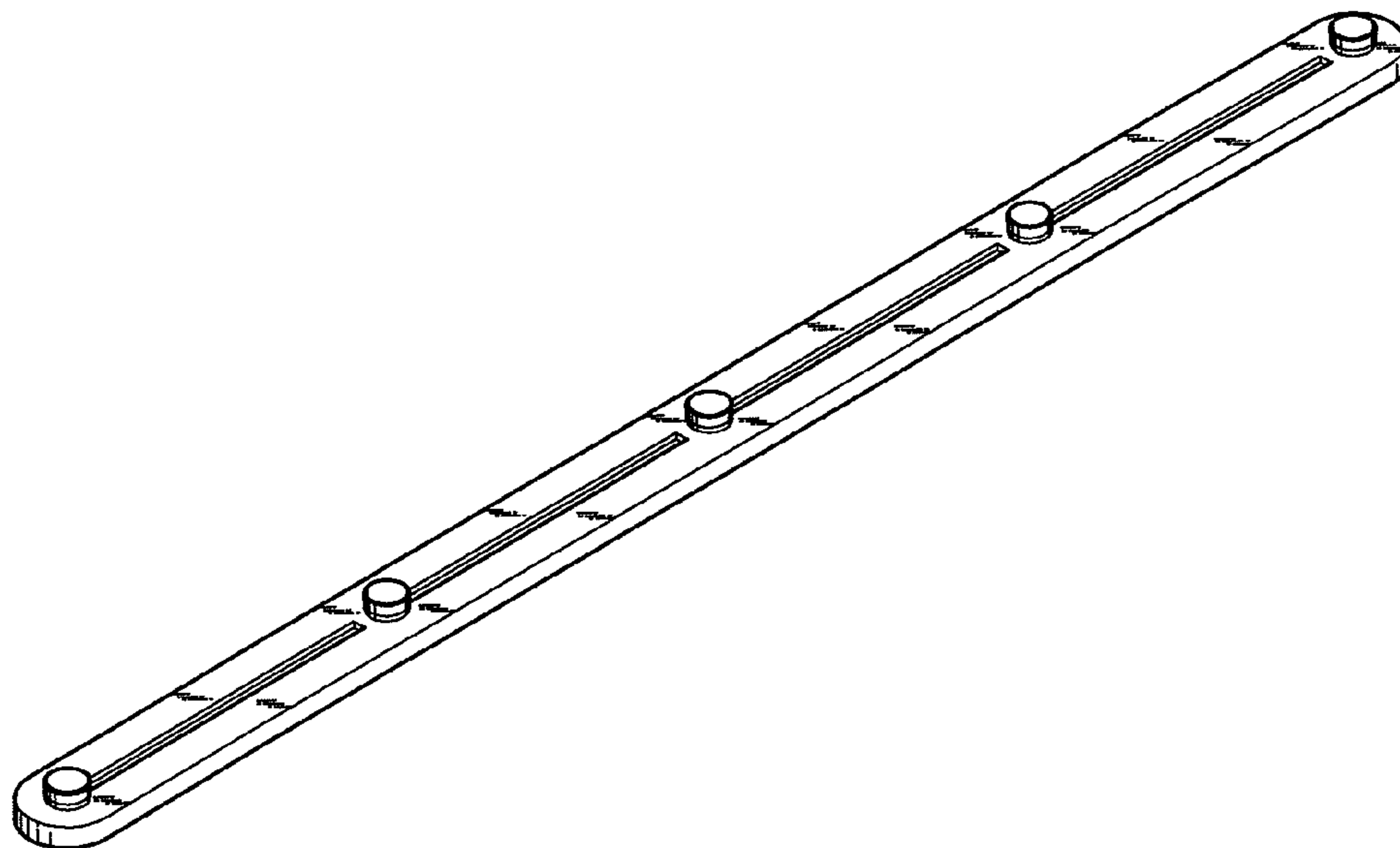
(57) **CLAIM**

The ornamental design for a strip for teaching-aid, as shown and described.

DESCRIPTION

FIG. 1 is a front perspective view of a strip for teaching-aid showing my new design;
 FIG. 2 is a front elevational view thereof;
 FIG. 3 is a rear elevational view thereof;
 FIG. 4 is a left side elevational view thereof;
 FIG. 5 is a right side elevational view thereof;
 FIG. 6 is a top plan view thereof;
 FIG. 7 is a bottom plan view thereof; and,
 FIG. 8 is a rear perspective view thereof.

1 Claim, 5 Drawing Sheets



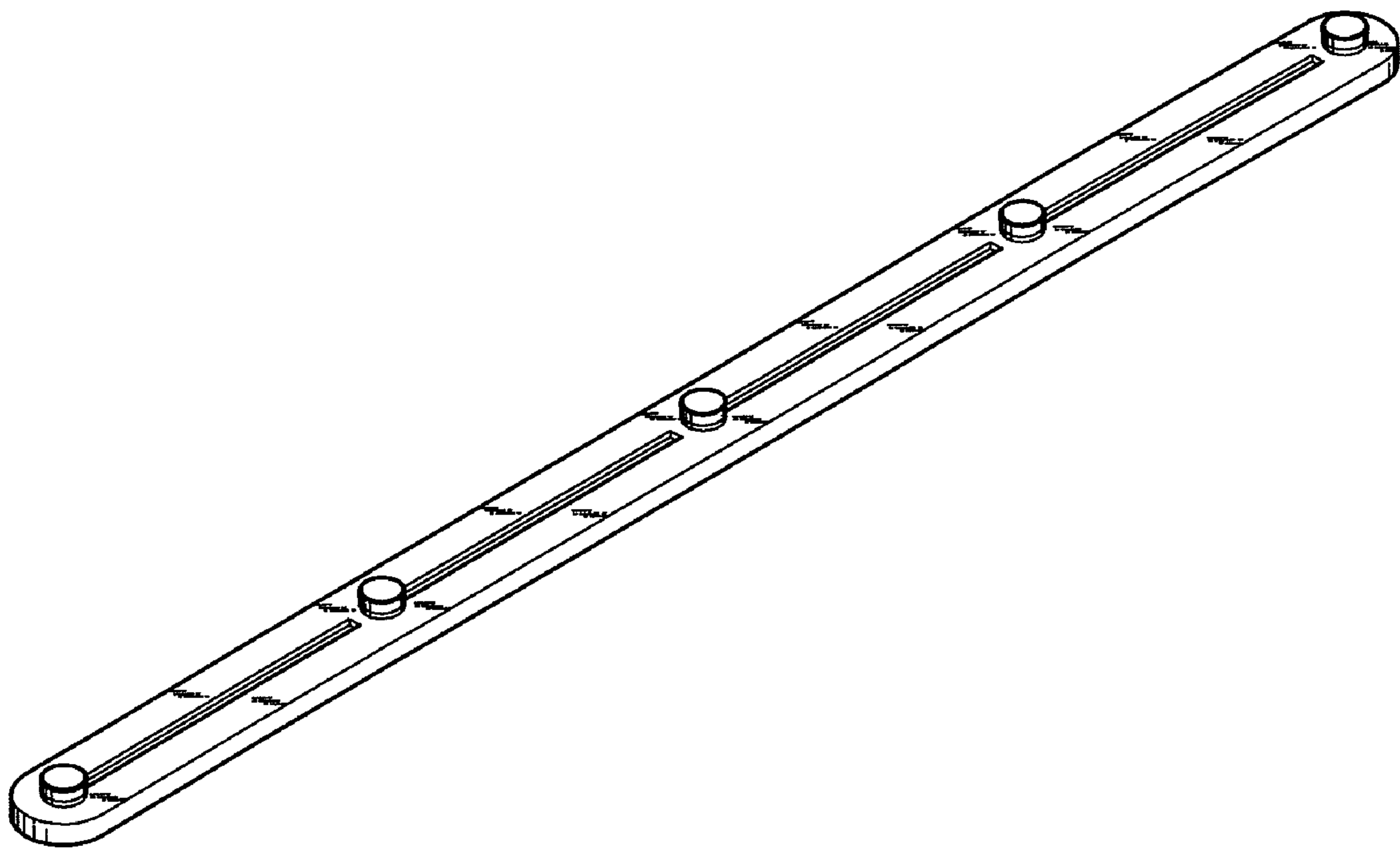


FIG. 1



FIG. 2



FIG. 3



FIG. 4



FIG. 5



FIG. 6



FIG. 7

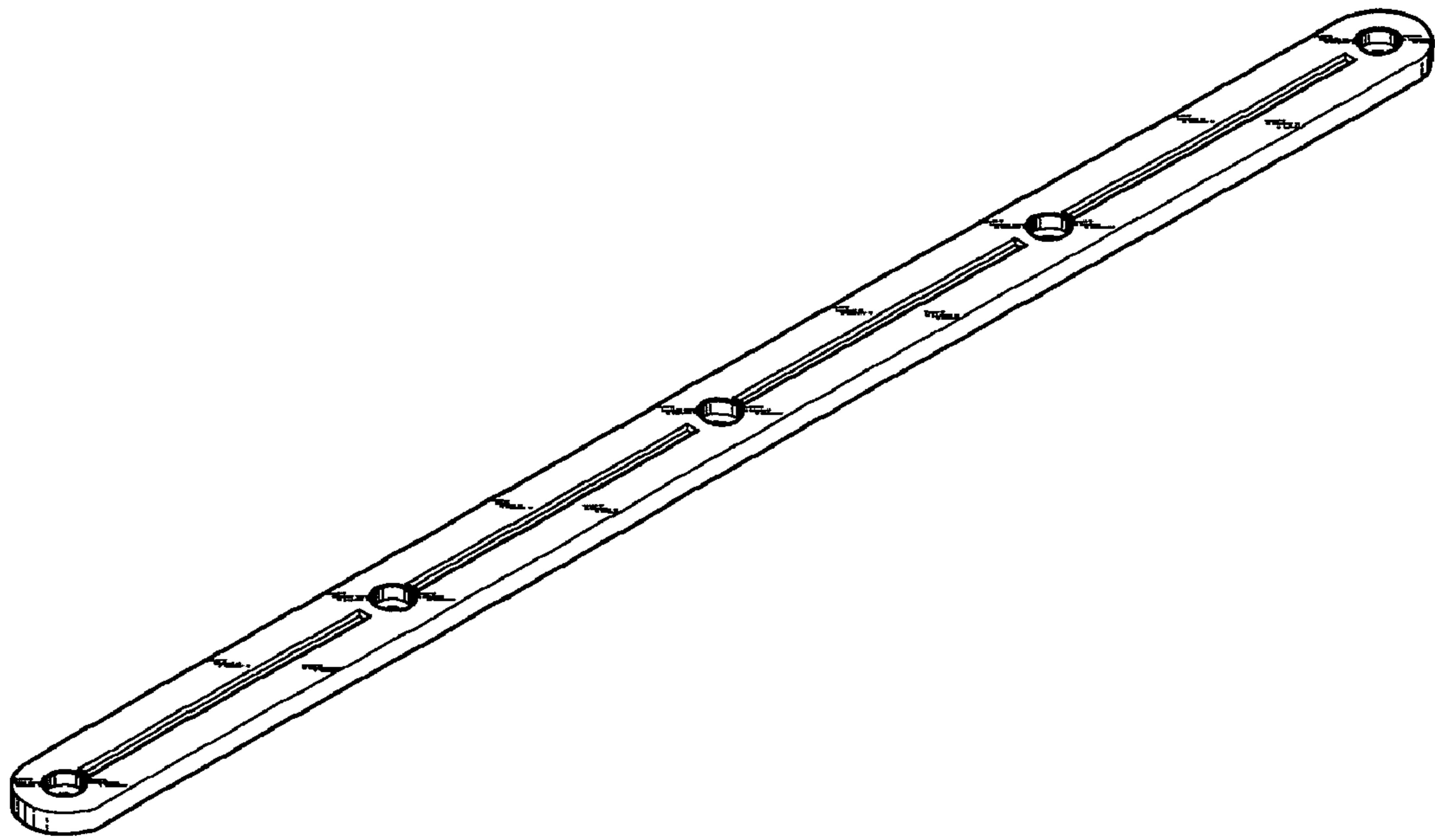


FIG. 8