



US00D678405S

(12) **United States Design Patent**
Okuda et al.

(10) **Patent No.:** **US D678,405 S**
(45) **Date of Patent:** **** Mar. 19, 2013**

(54) **INK TANK FOR PRINTER**

(75) Inventors: **Takahiro Okuda**, Tokyo (JP);
Yoshiharu Yamashita, Mitaka (JP)

(73) Assignee: **Canon Finetech Inc.**, Saitama-ken (JP)

(**) Term: **14 Years**

(21) Appl. No.: **29/401,018**

(22) Filed: **Sep. 6, 2011**

(30) **Foreign Application Priority Data**

Mar. 7, 2011 (JP) 2011-005138
Mar. 7, 2011 (JP) 2011-005139

(51) **LOC (9) Cl.** **18-02**

(52) **U.S. Cl.** **D18/56**

(58) **Field of Classification Search** D18/12,
D18/40, 43, 56; 347/86-67
See application file for complete search history.

(56) **References Cited**

U.S. PATENT DOCUMENTS

D390,259 S * 2/1998 Inoue et al. D18/56
5,953,031 A * 9/1999 Omata et al. 347/86
6,132,036 A * 10/2000 Abe et al. 347/86
6,209,996 B1 * 4/2001 Gasvoda et al. 347/86
D449,643 S * 10/2001 Hatasa et al. D18/56
D490,102 S * 5/2004 Umeyama et al. D18/56
D491,221 S * 6/2004 Umeyama et al. D18/56
D530,365 S * 10/2006 Wakayama et al. D18/56
D540,855 S * 4/2007 Umezawa et al. D18/56

D543,236 S * 5/2007 Hattori D18/56
D549,279 S * 8/2007 Steinmetz et al. D18/56
D587,749 S * 3/2009 Perrill et al. D18/56

* cited by examiner

Primary Examiner — Cathy A MacCormac

(74) *Attorney, Agent, or Firm* — Fitzpatrick, Cella, Harper & Scinto

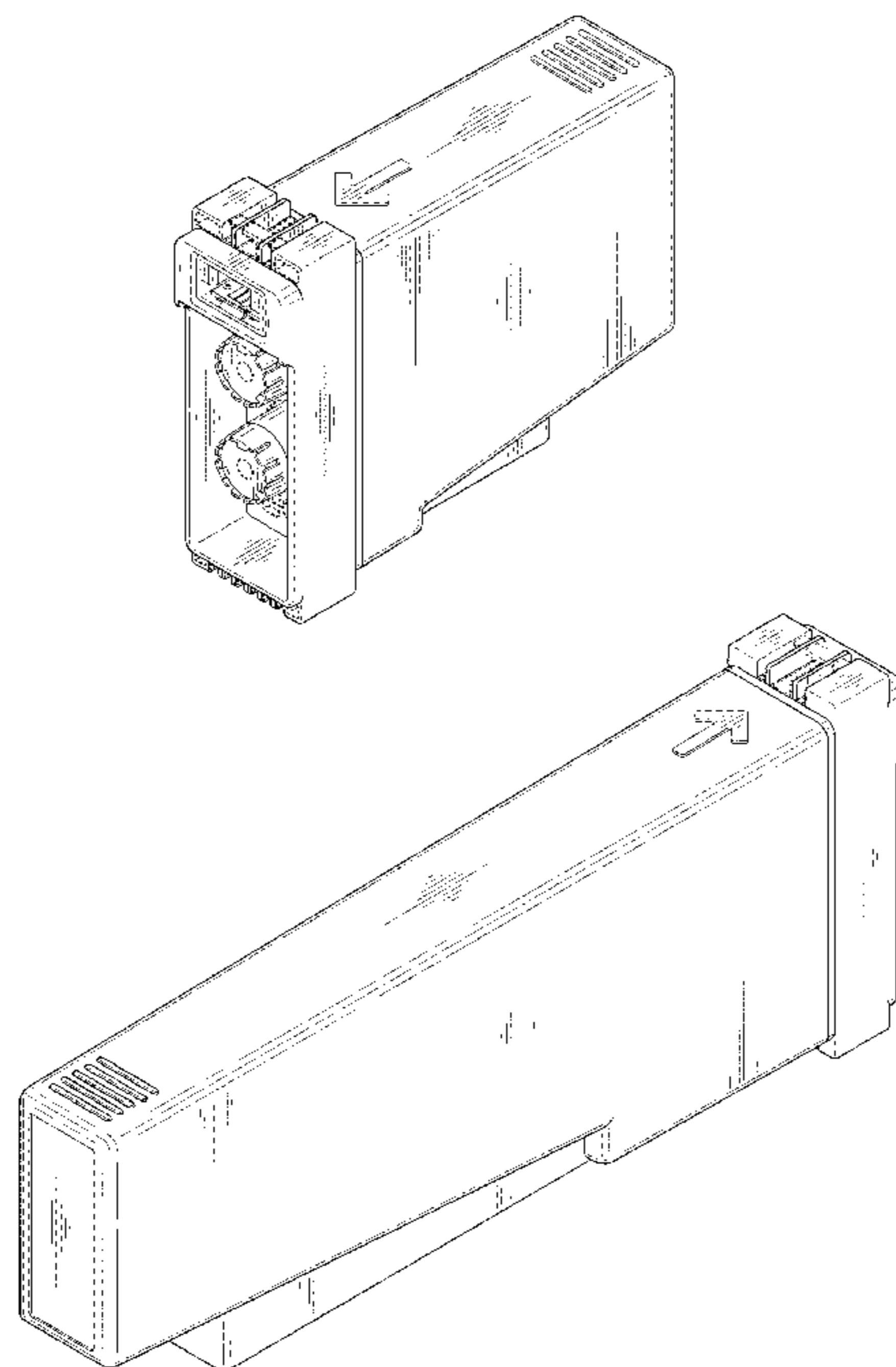
(57) **CLAIM**

The ornamental design for an ink tank for printer, as shown and described.

DESCRIPTION

FIG. 1 is a front view of a first embodiment of an ink tank for printer showing our new design;
FIG. 2 is a rear view thereof;
FIG. 3 is a top plan view thereof;
FIG. 4 is a bottom plan view thereof;
FIG. 5 is a left side view thereof;
FIG. 6 is a right side view thereof;
FIG. 7 is a front perspective view thereof;
FIG. 8 is a rear perspective view thereof;
FIG. 9 is a front view of a second embodiment of the ink tank for printer showing our new design;
FIG. 10 is a rear view thereof;
FIG. 11 is a top plan view thereof;
FIG. 12 is a bottom plan view thereof;
FIG. 13 is a left side view thereof;
FIG. 14 is a right side view thereof;
FIG. 15 is a front perspective view thereof; and,
FIG. 16 is a rear perspective view thereof.
The broken lines are for illustration only and form no part of the claimed design.

1 Claim, 10 Drawing Sheets



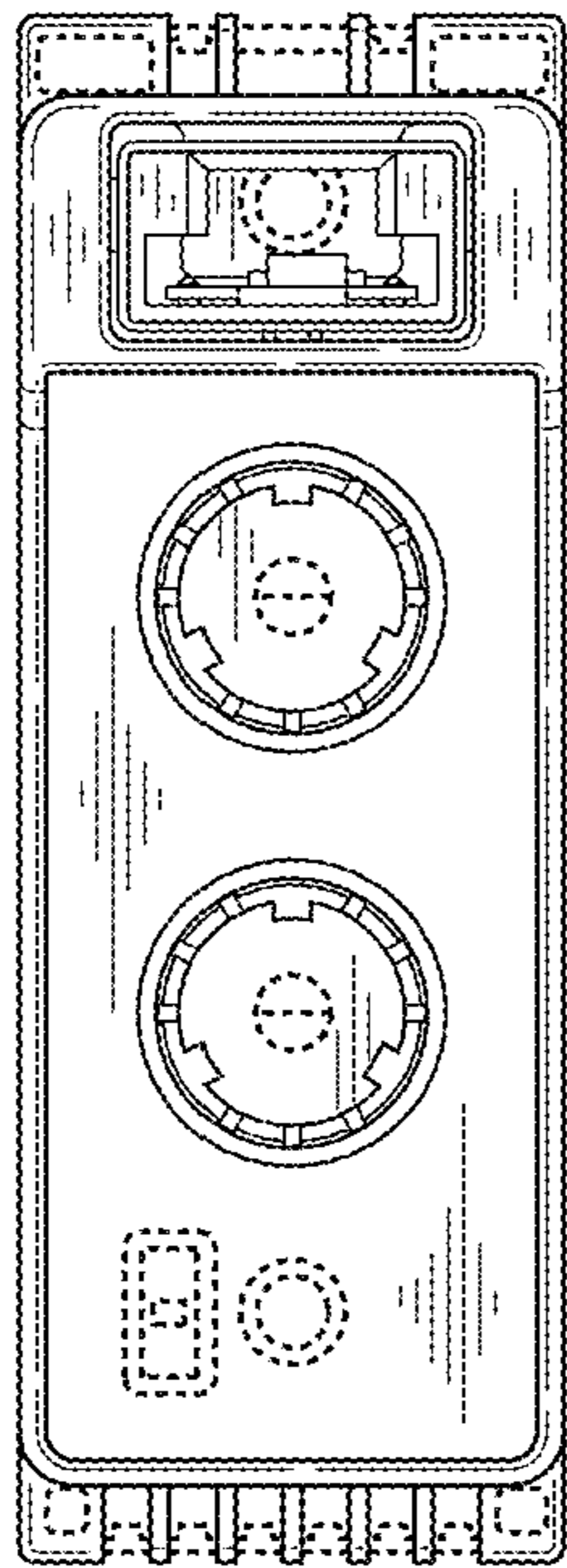


FIG. 1

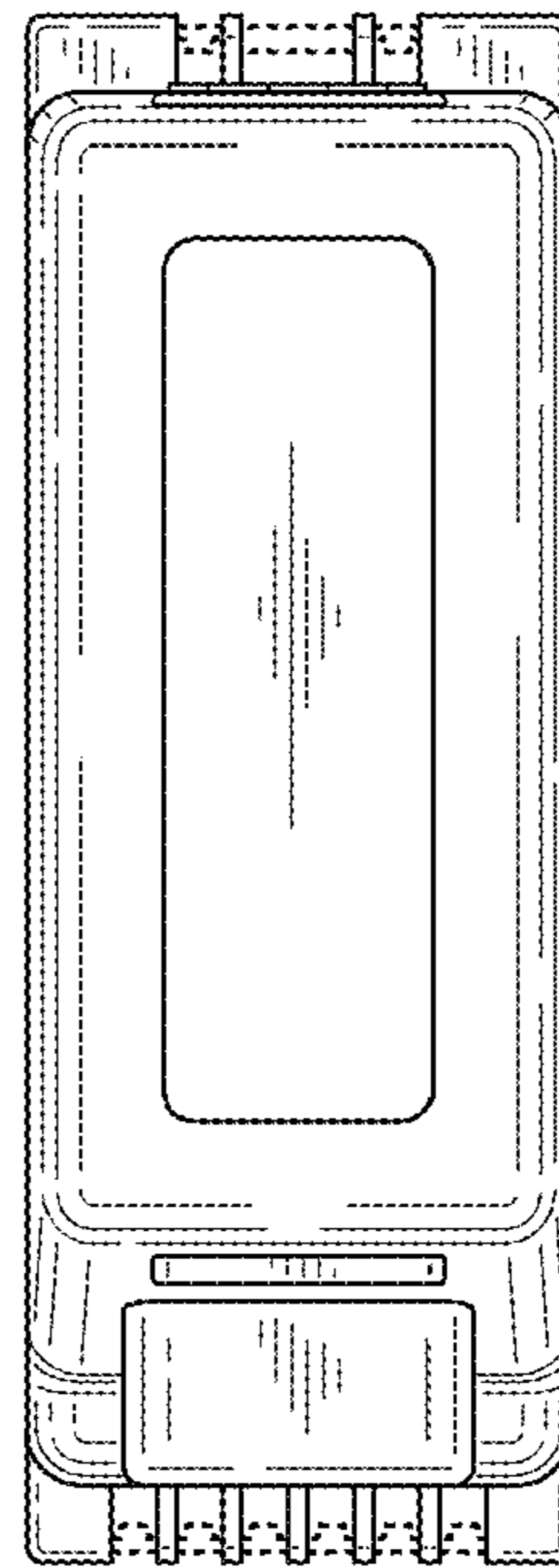


FIG. 2

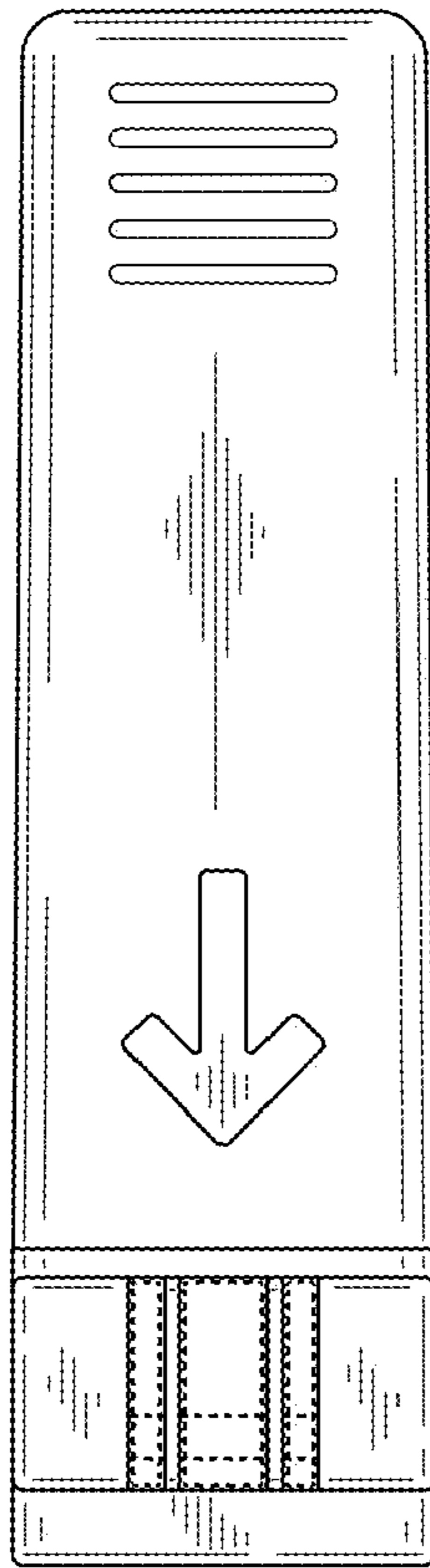


FIG. 3

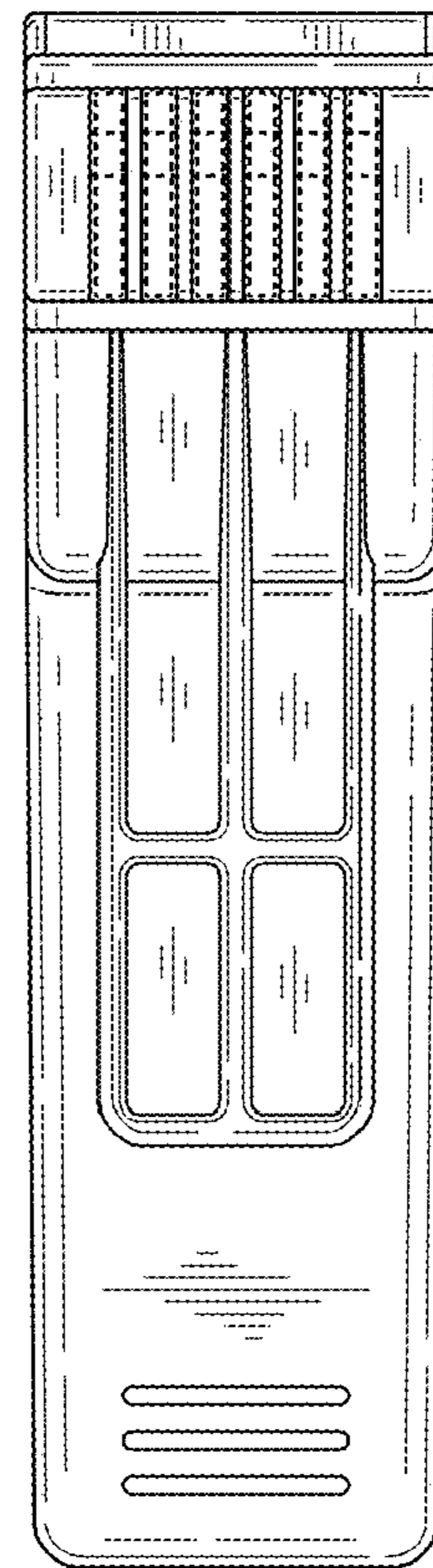


FIG. 4

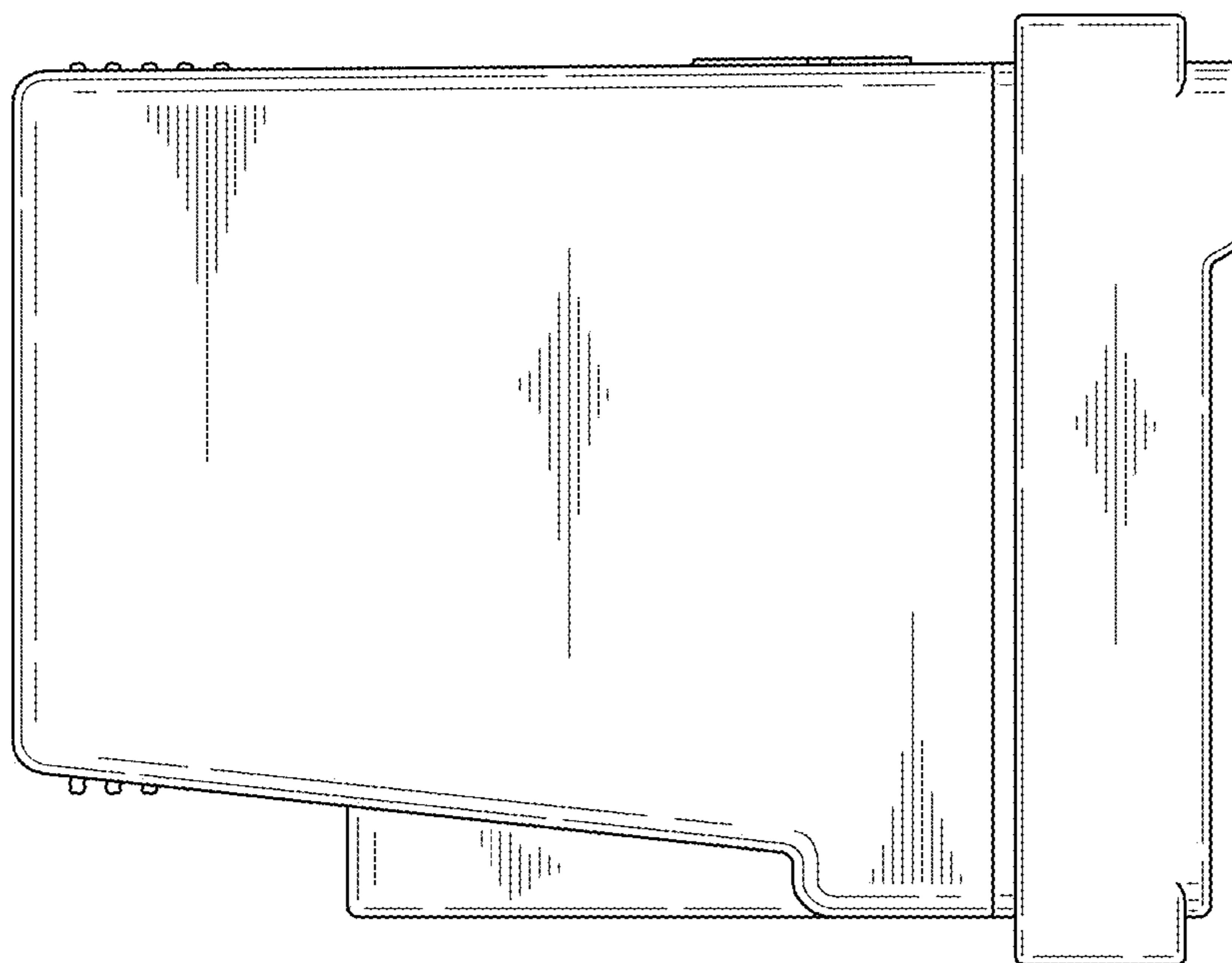


FIG. 5

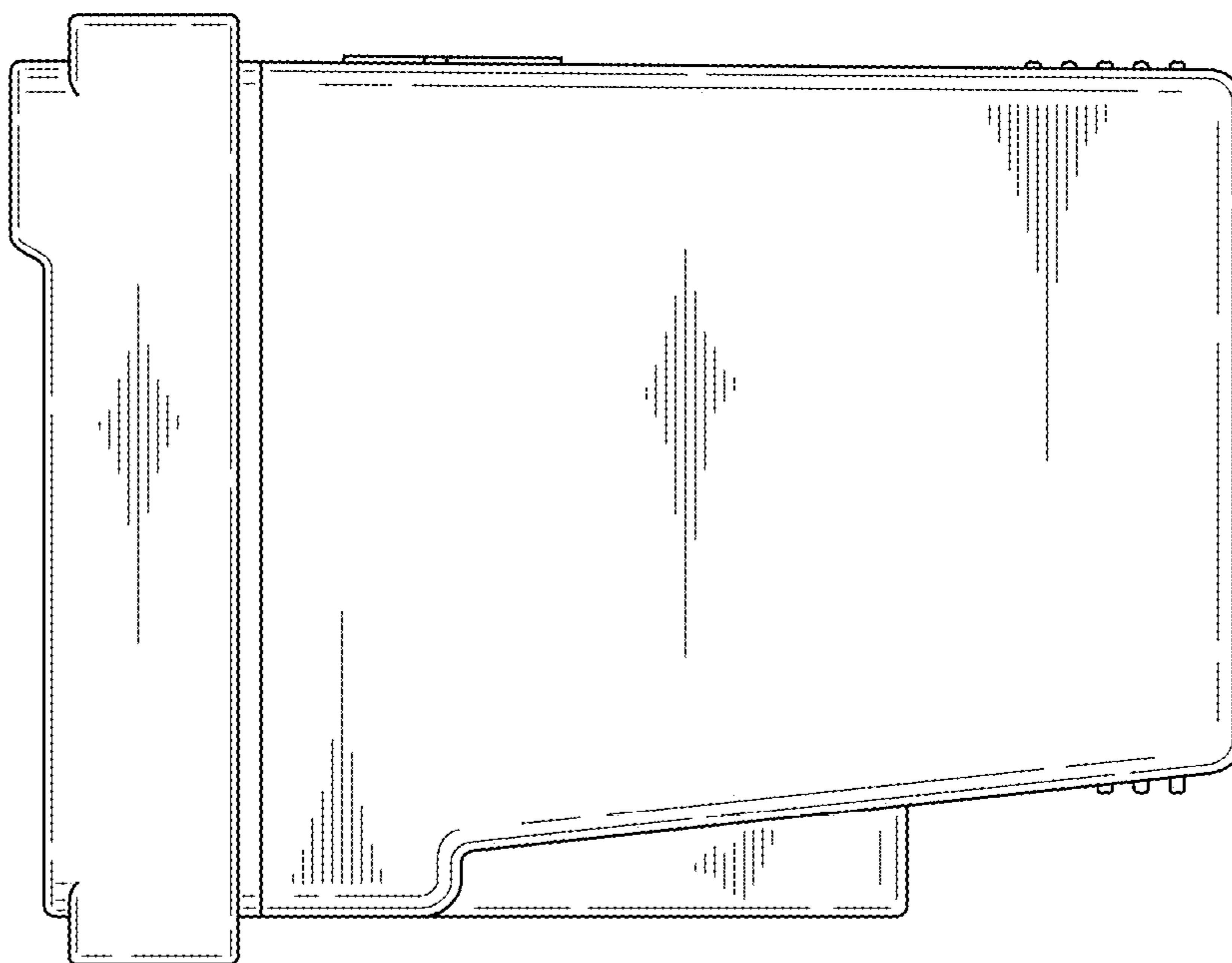


FIG. 6

FIG. 7

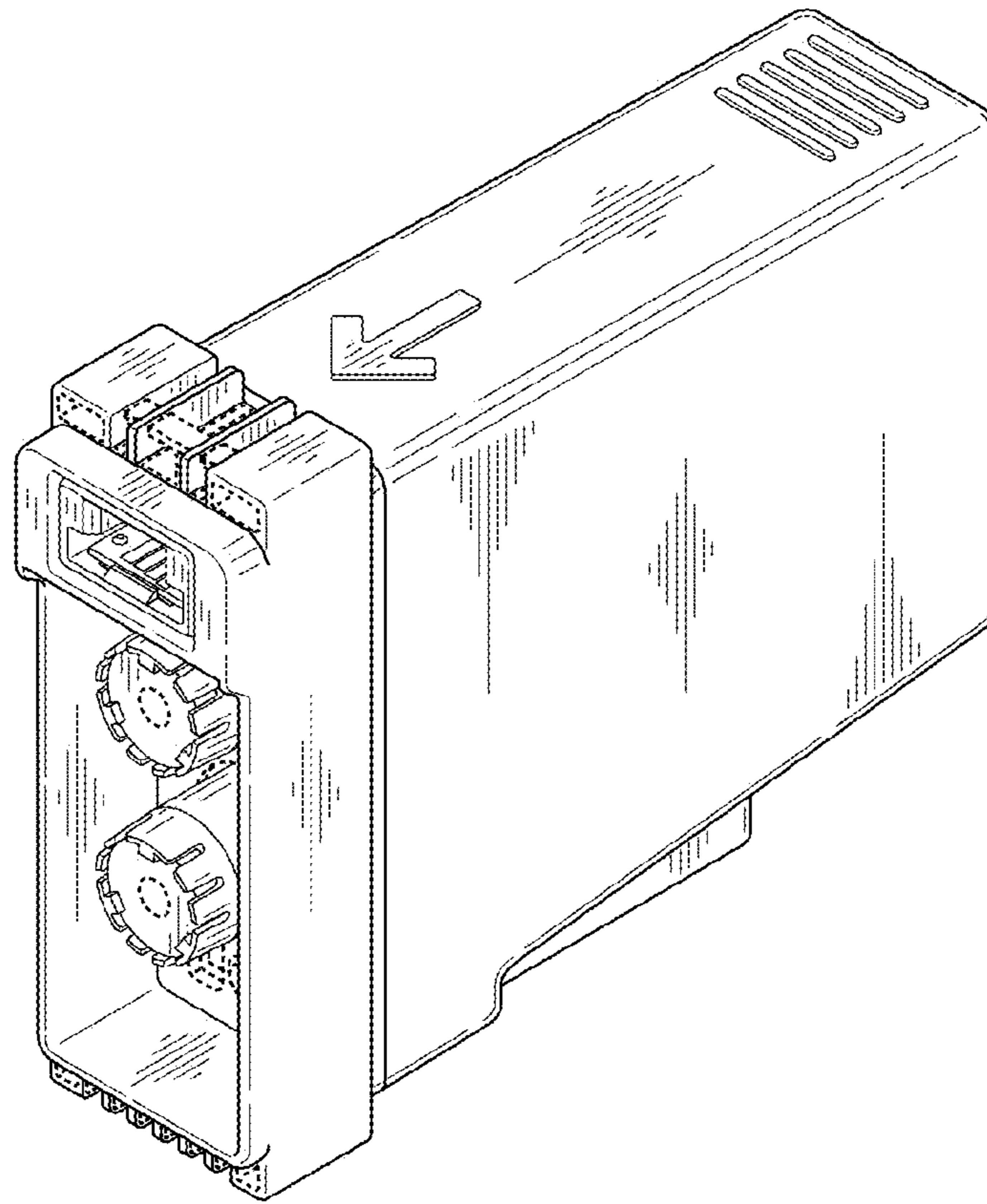
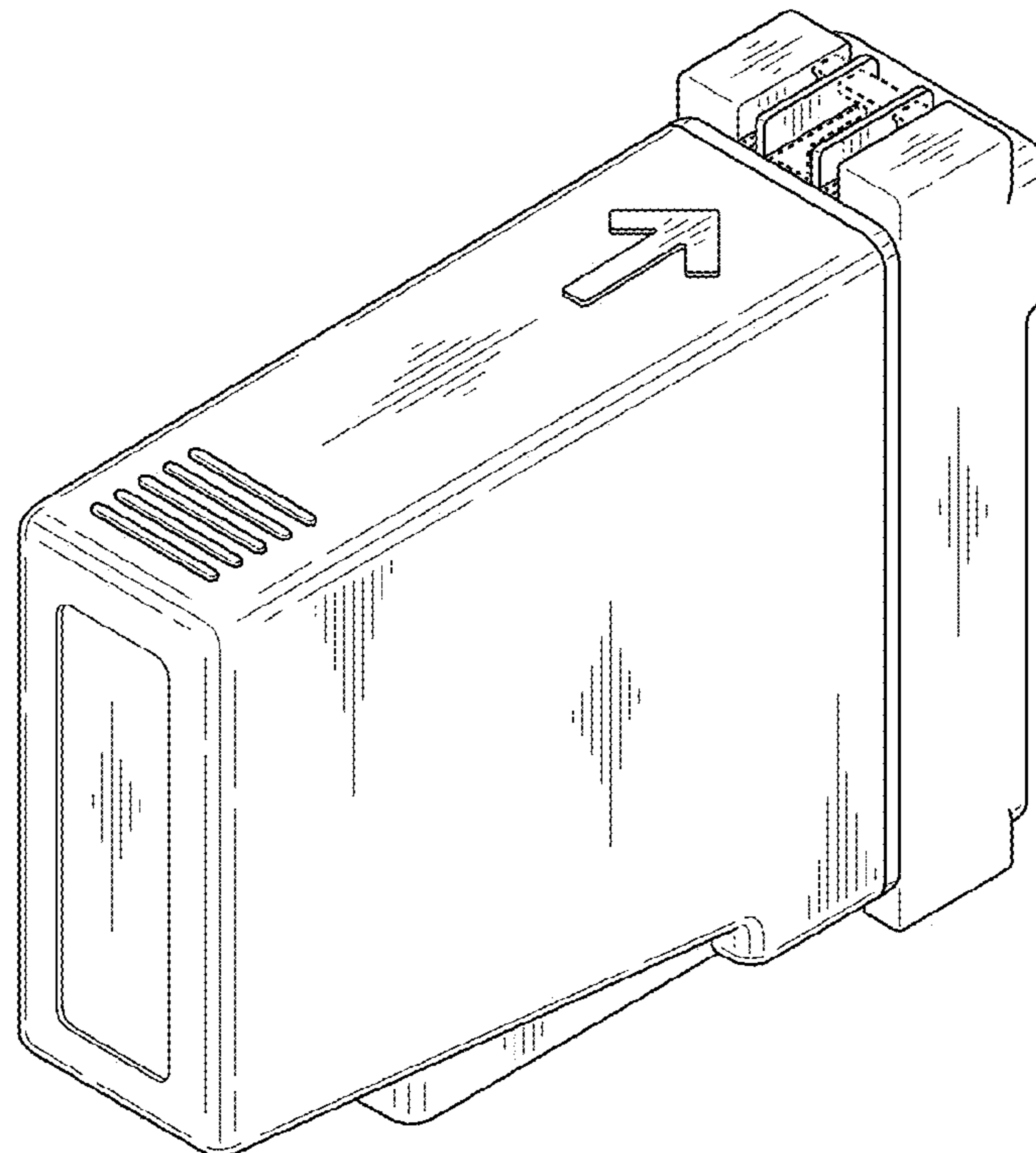


FIG. 8



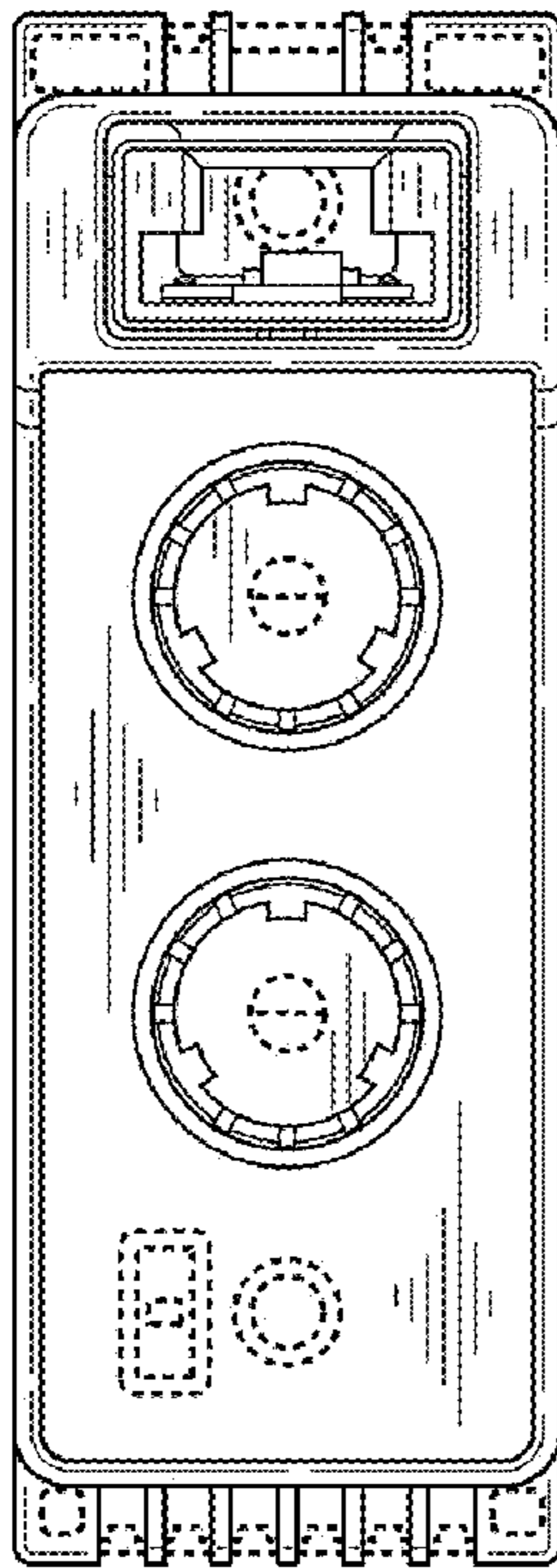


FIG. 9

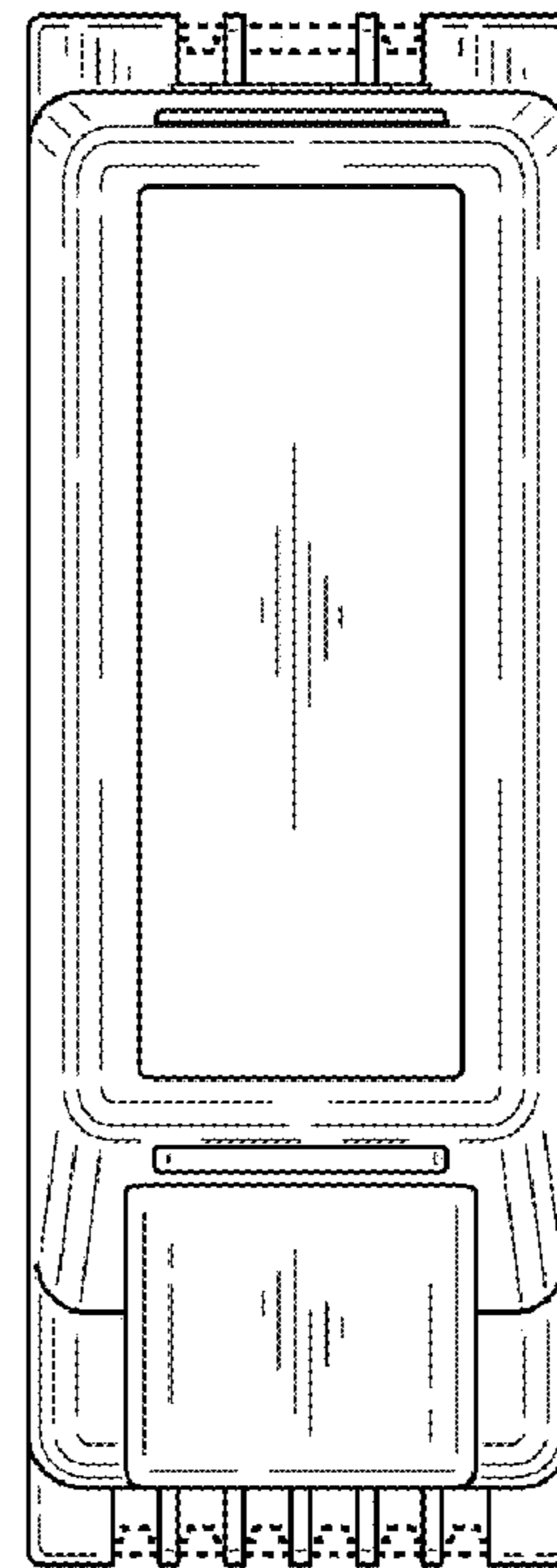


FIG. 10

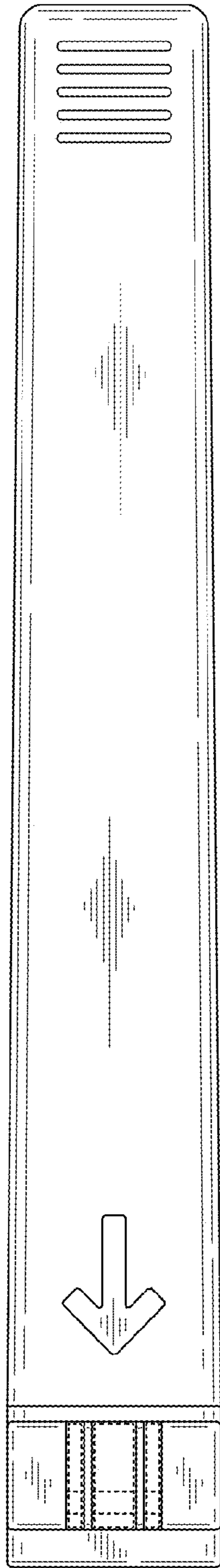


FIG. 11

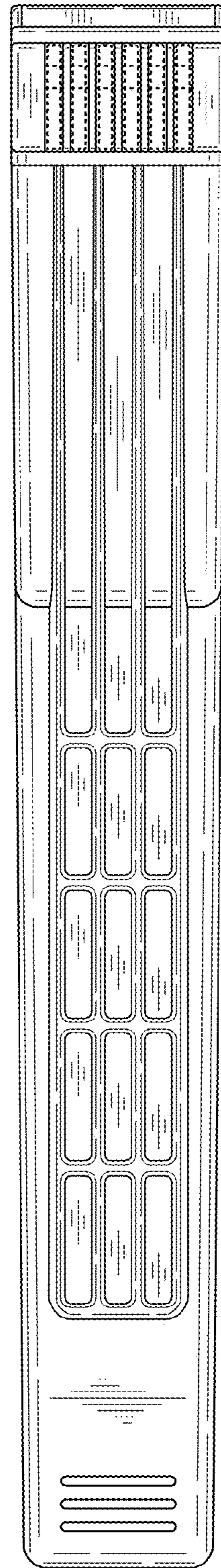


FIG. 12

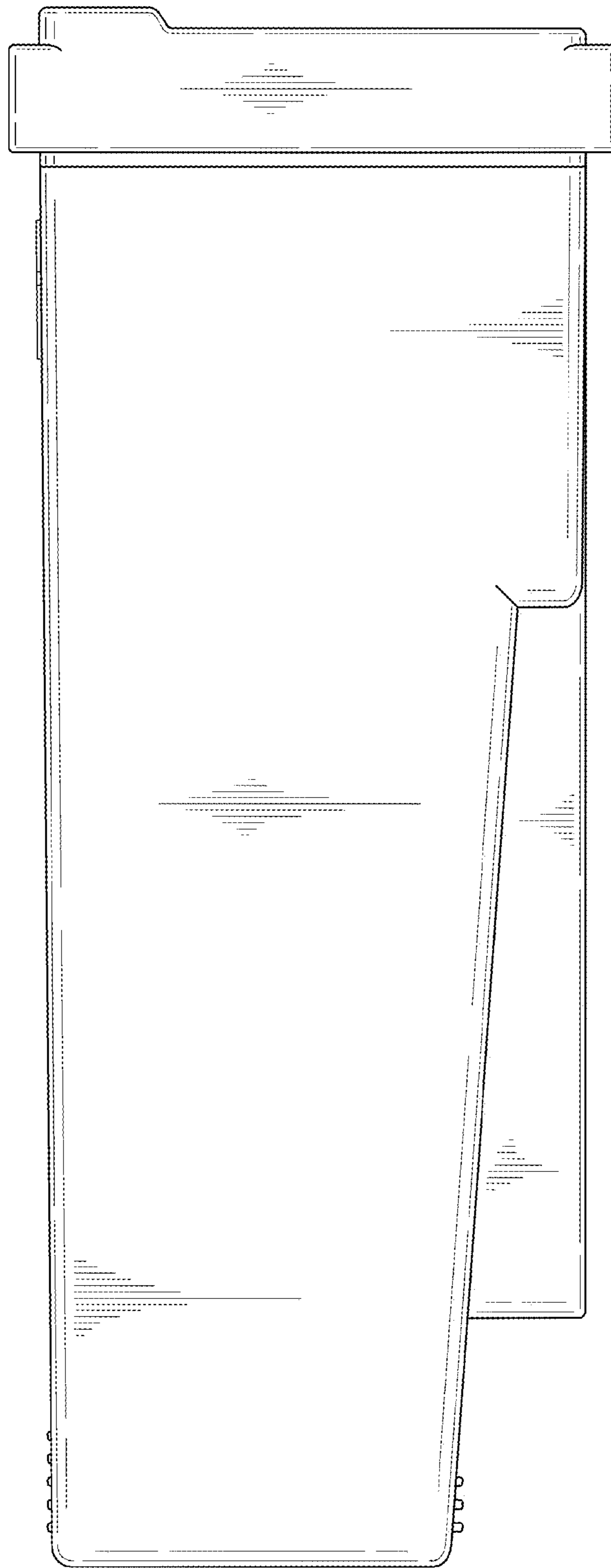


FIG. 13

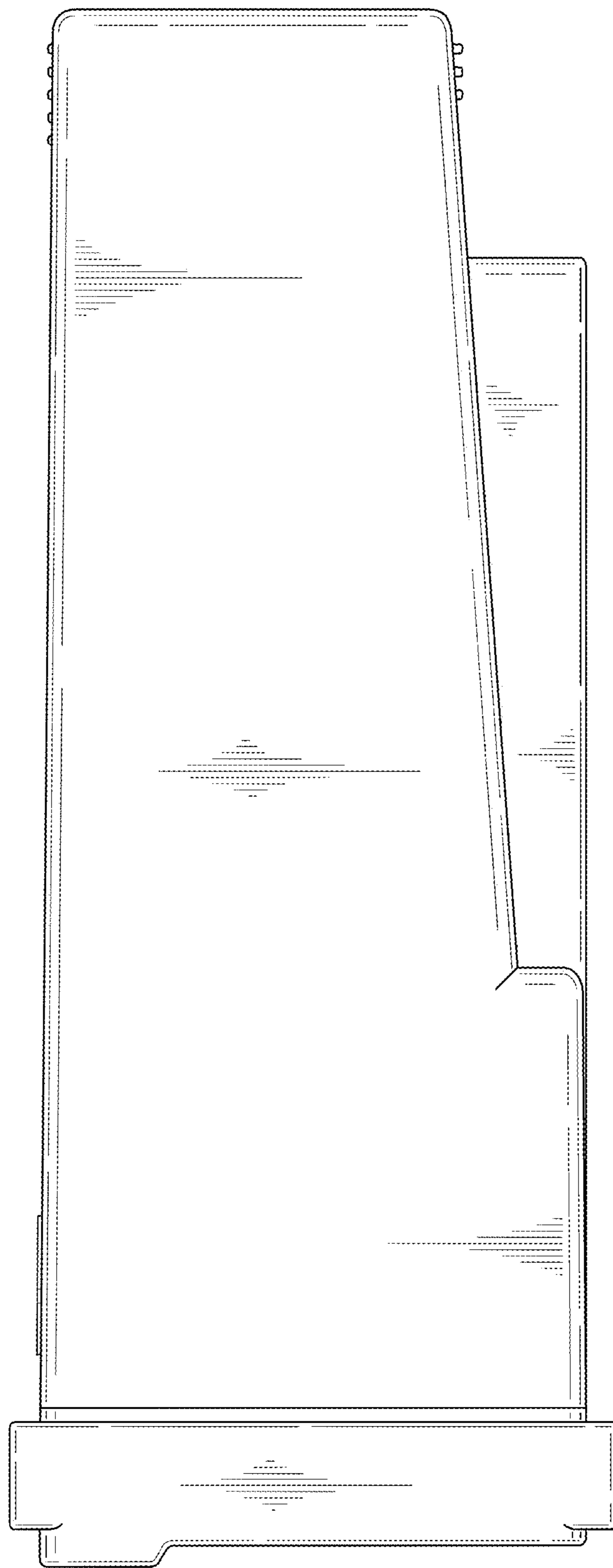


FIG. 14

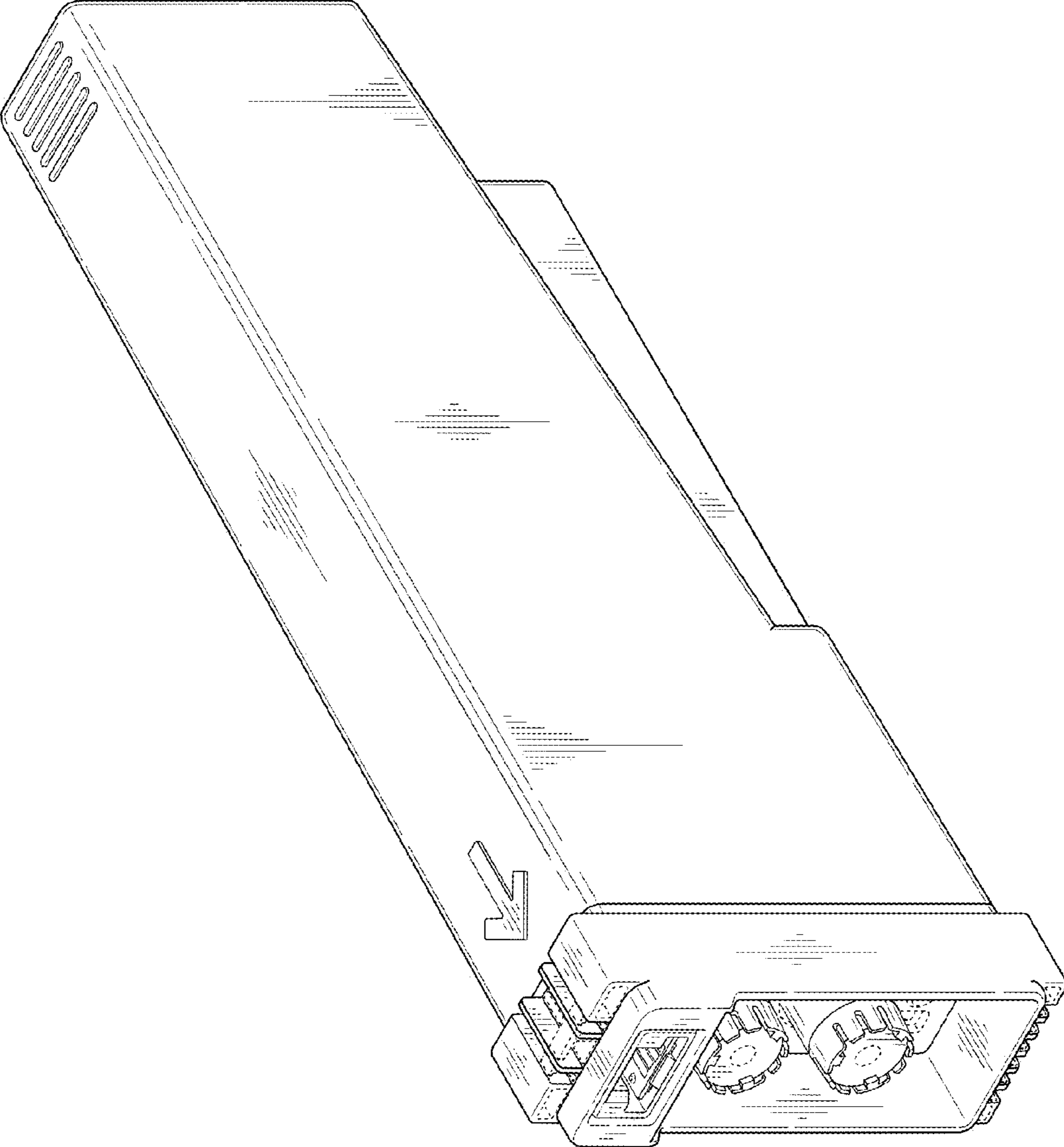


FIG. 15

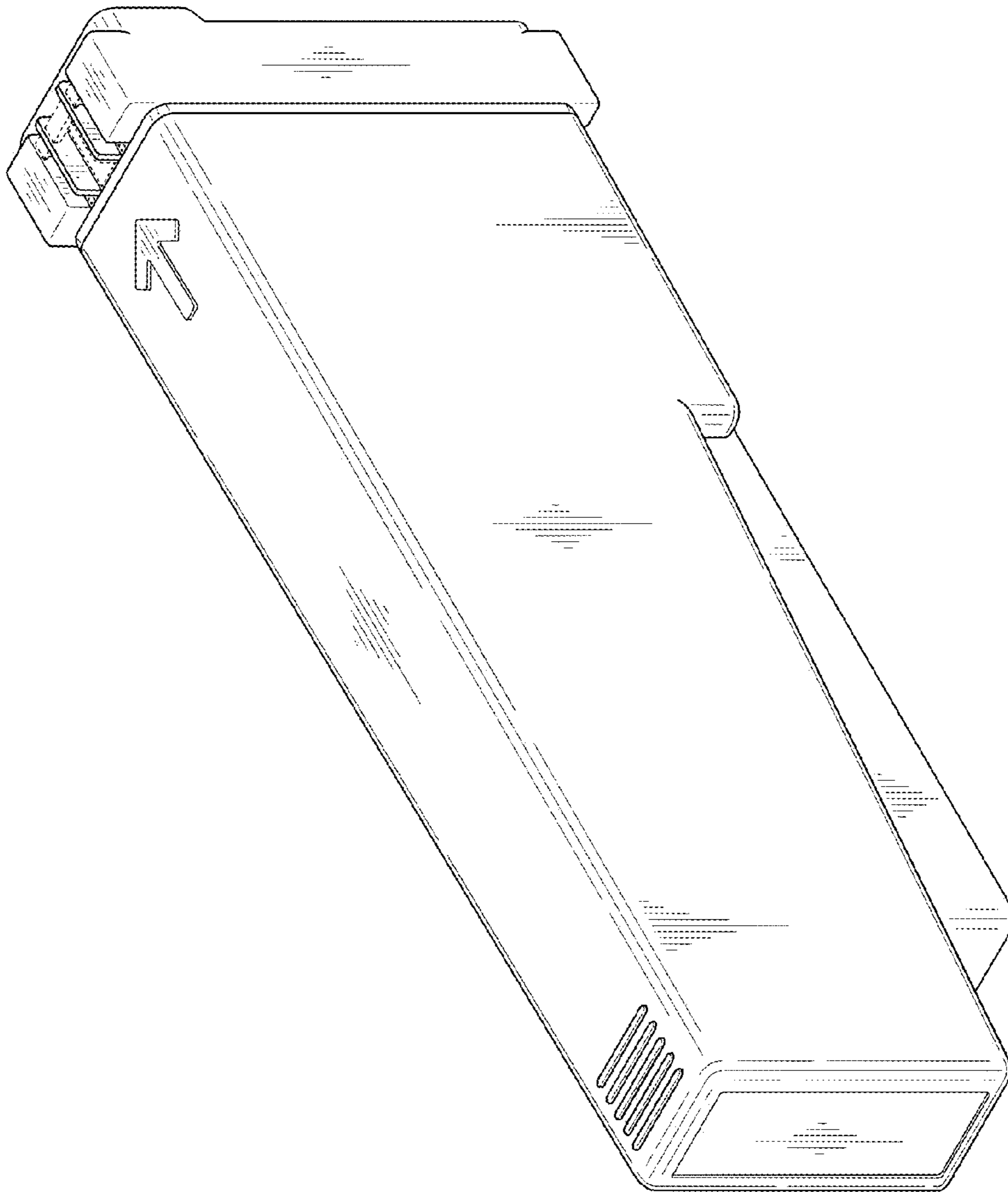


FIG. 16