



US00D678403S

(12) **United States Design Patent**
Seki et al.

(10) **Patent No.:** **US D678,403 S**
(45) **Date of Patent:** **** Mar. 19, 2013**

(54) **PRINTER**

(75) Inventors: **Yusaku Seki**, Nagoya (JP); **Jiro Suzuki**, Nagoya (JP); **Nobuyuki Iwai**, Chita-gun (JP); **Kil Jihoon**, Nagoya (JP)

(73) Assignee: **Brother Industries, Ltd.**, Nagoya (JP)

(**) Term: **14 Years**

(21) Appl. No.: **29/416,911**

(22) Filed: **Mar. 28, 2012**

(30) **Foreign Application Priority Data**

Jan. 25, 2012 (JP) 2012-1305

(51) **LOC (9) Cl.** **14-02**

(52) **U.S. Cl.** **D18/50**

(58) **Field of Classification Search** D18/14,
D18/19, 36-37, 50, 54, 54.1, 55; D14/452-425,
D14/463-470; 400/613, 613.1-613.4, 690,
400/690.1-690.4, 691-694

See application file for complete search history.

(56) **References Cited**

U.S. PATENT DOCUMENTS

D453,181 S * 1/2002 Shimamura D18/38
D474,233 S 5/2003 Isomoto

D565,650 S 4/2008 Tani
D607,050 S * 12/2009 Iritani D18/55
D624,956 S 10/2010 Park et al.
D624,957 S 10/2010 Park et al.
D641,397 S * 7/2011 Kim et al. D18/55
D645,078 S 9/2011 Kim et al.
D647,130 S 10/2011 Kim et al.
D661,346 S 6/2012 Suzuki et al.

* cited by examiner

Primary Examiner — Cathy A MacCormac

(74) *Attorney, Agent, or Firm* — Oliff & Berridge, PLC

(57) **CLAIM**

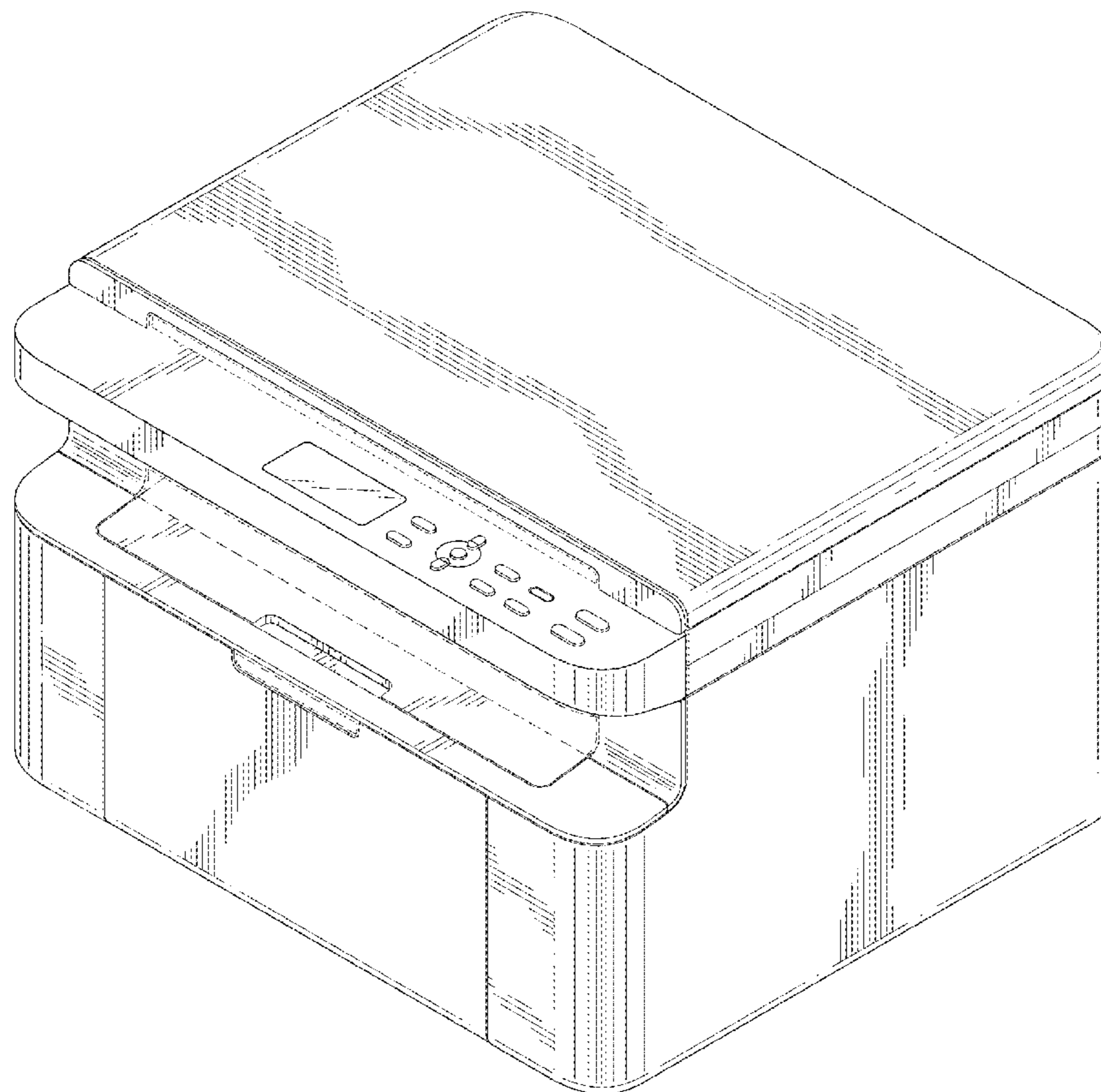
The ornamental design for a printer, as shown and described.

DESCRIPTION

FIG. 1 is a perspective view of a printer;
FIG. 2 is a front view thereof;
FIG. 3 is a top view thereof;
FIG. 4 is a right-side view thereof;
FIG. 5 is a left-side view thereof;
FIG. 6 is a rear view thereof; and,
FIG. 7 is a bottom view thereof.

The broken lines depict unclaimed portions only and form no part of the claimed design.

1 Claim, 7 Drawing Sheets



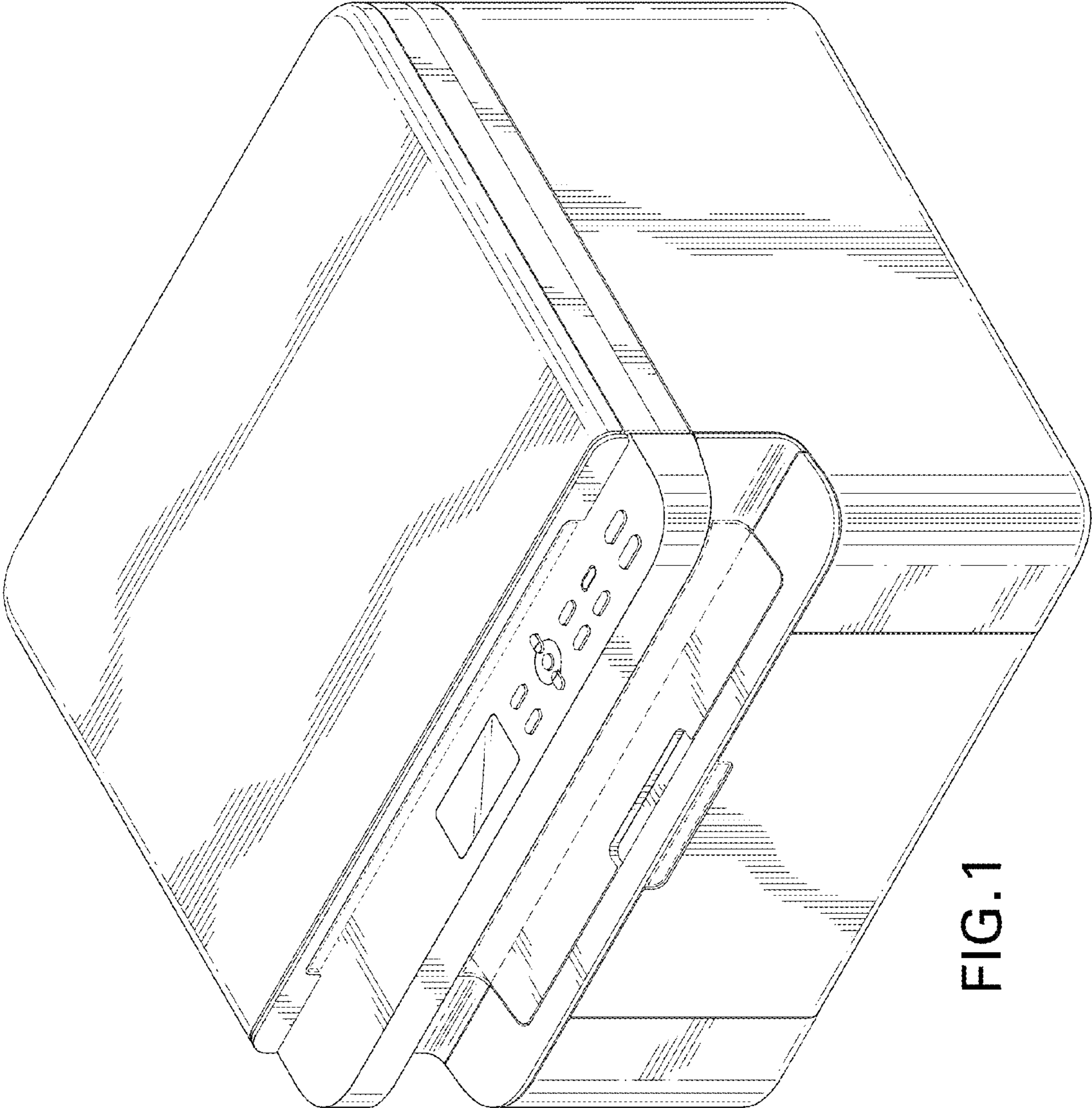


FIG. 1

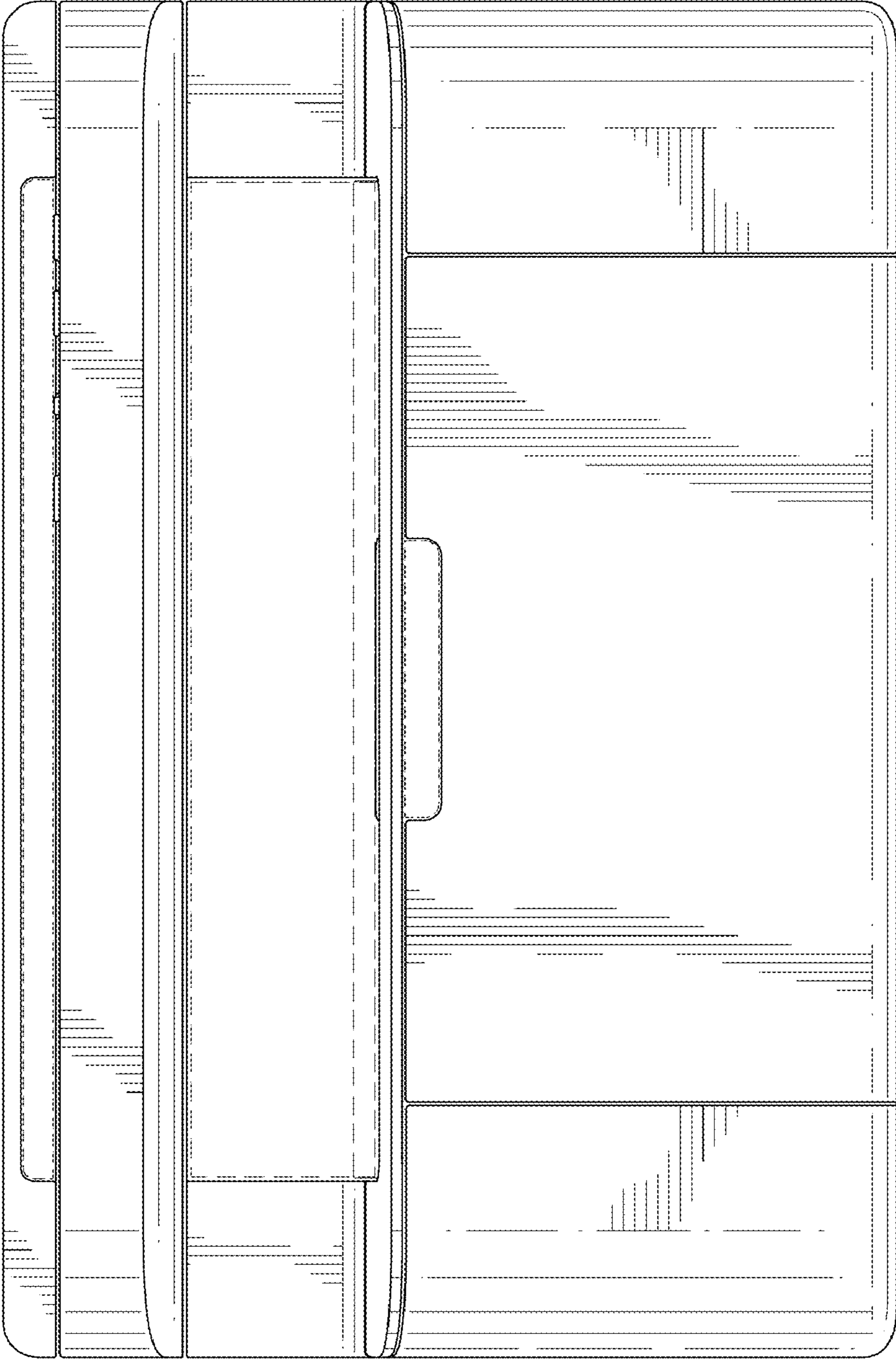


FIG. 2

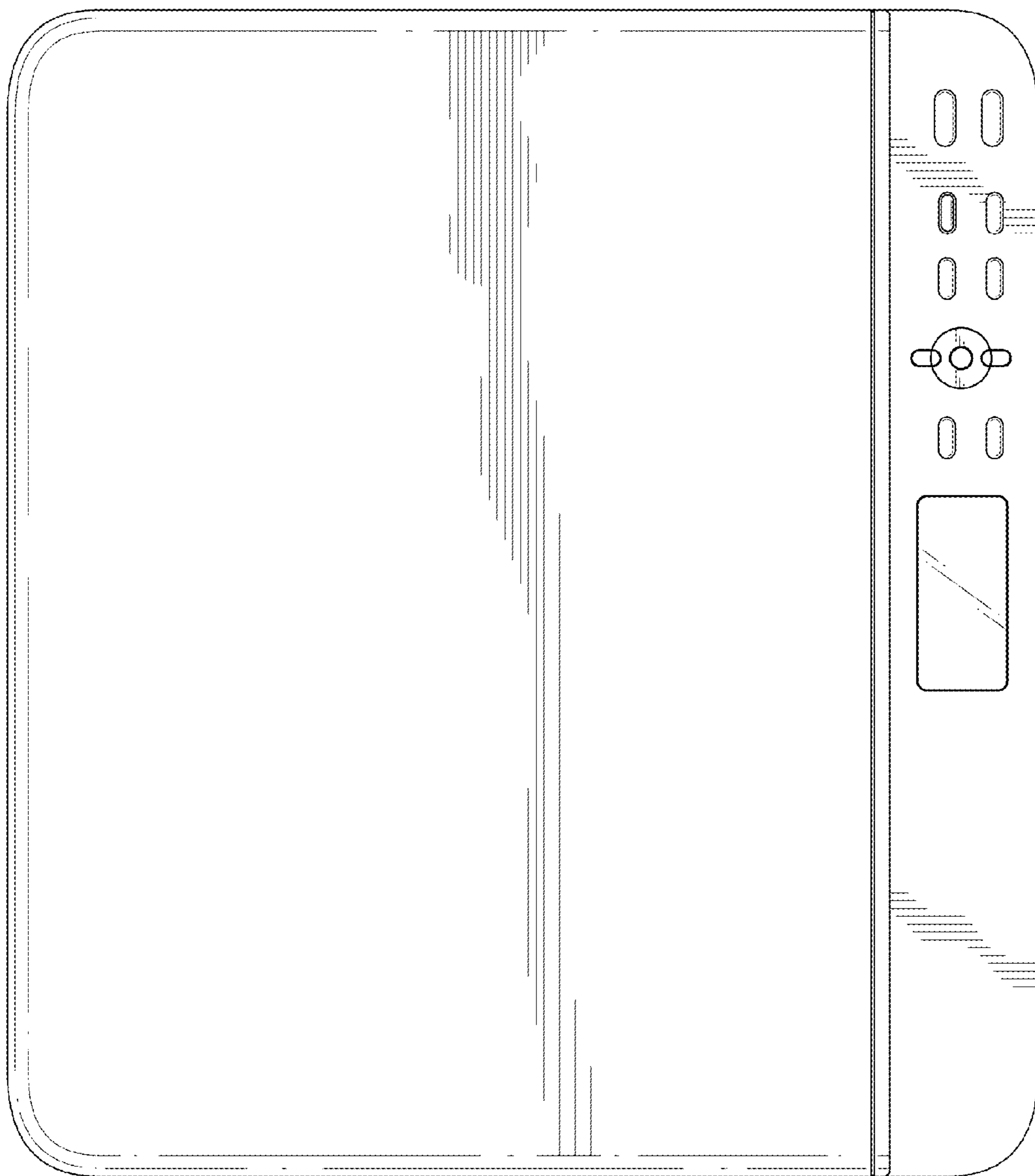


FIG. 3

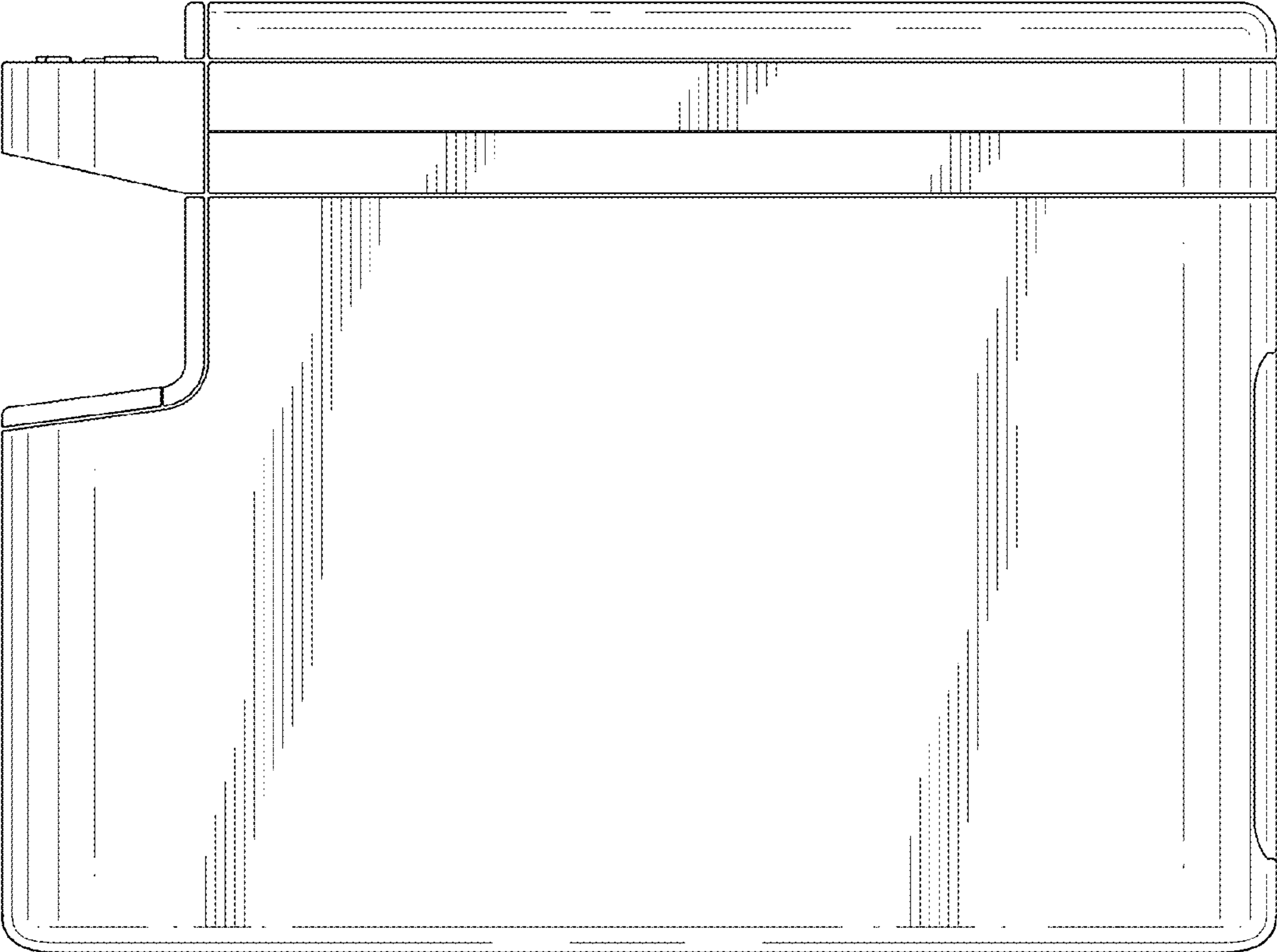


FIG.4

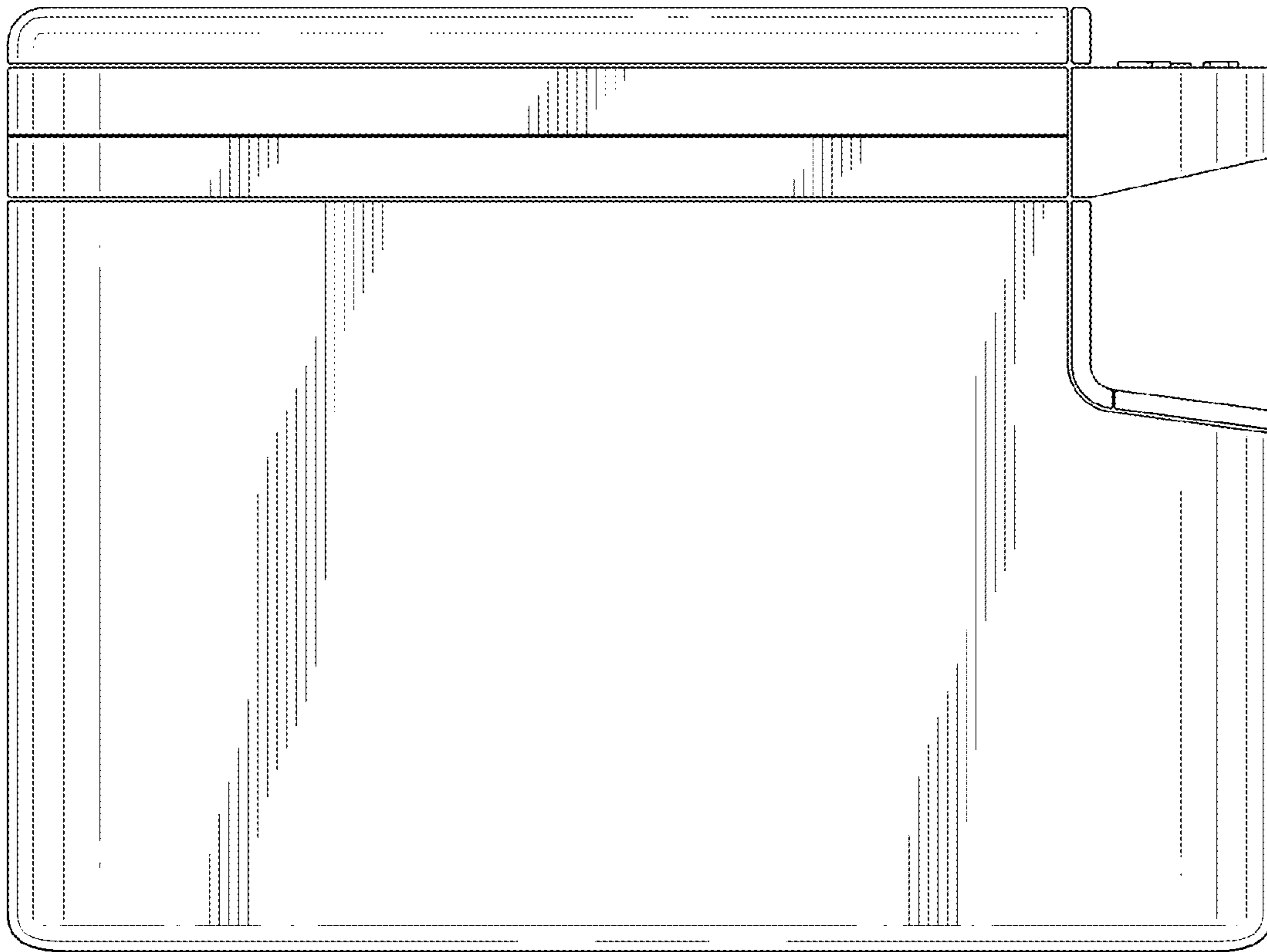


FIG. 5

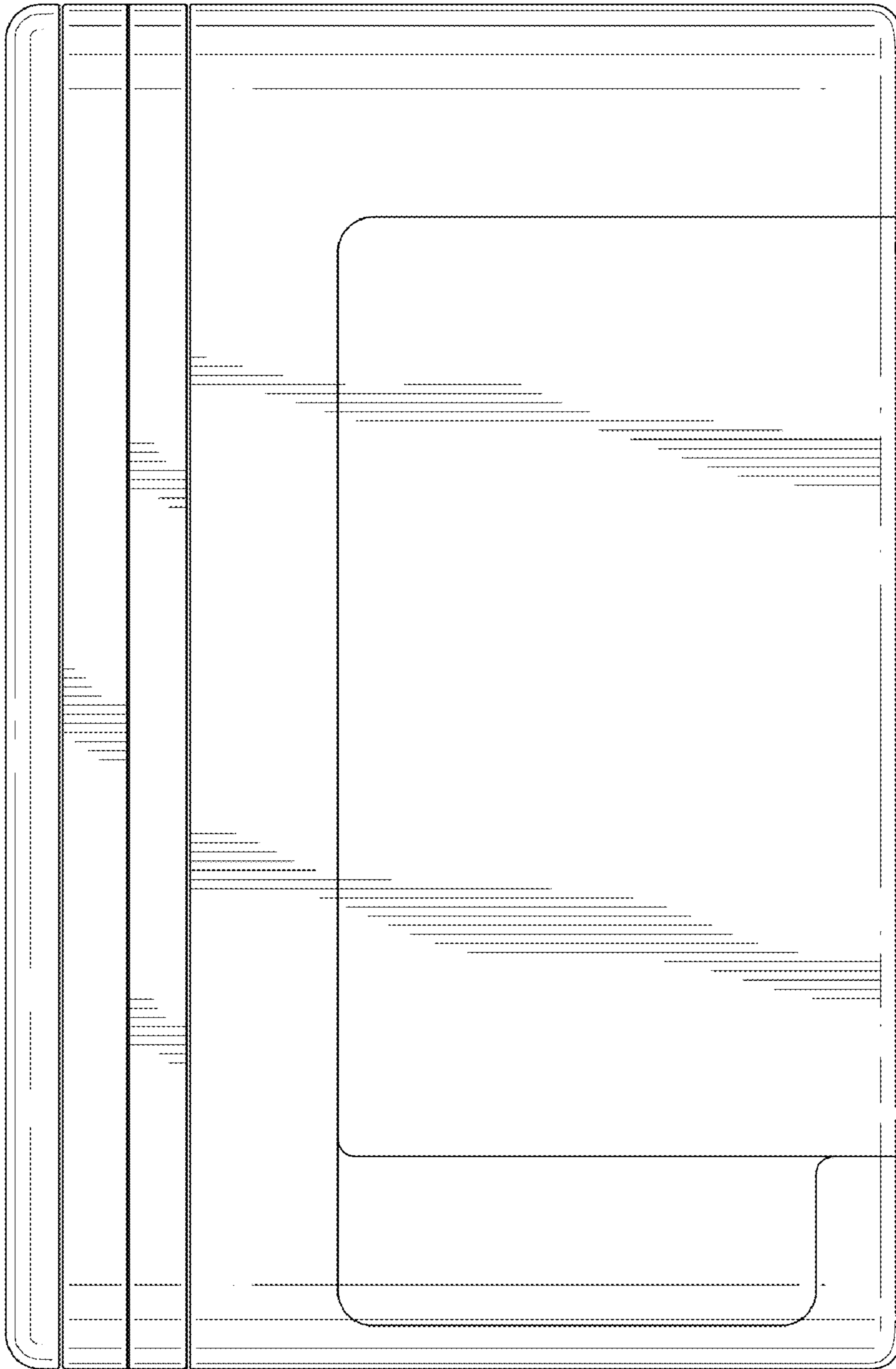


FIG. 6

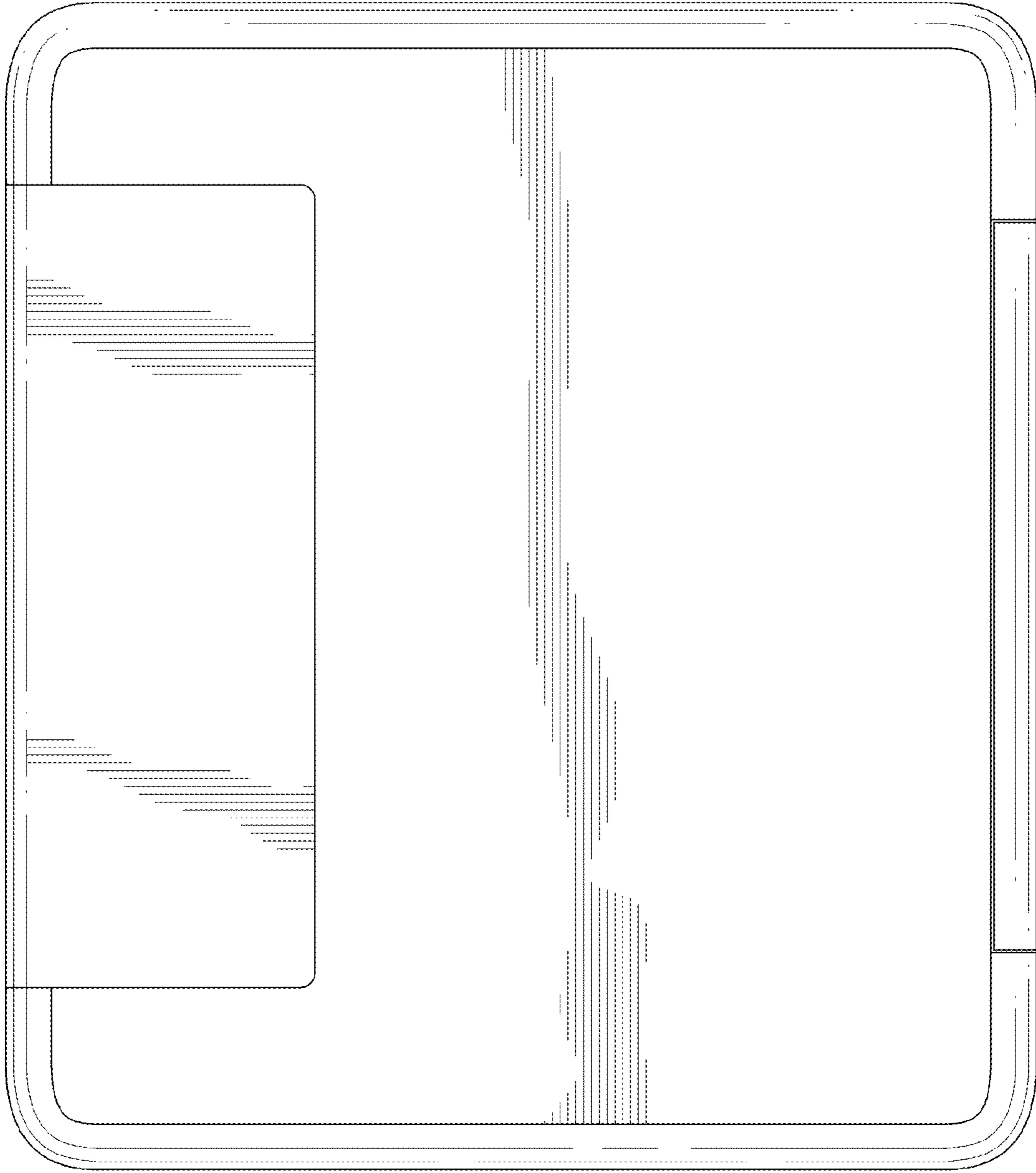


FIG. 7