



US00D678397S

(12) **United States Design Patent**  
**MacLean-Blevins et al.**

(10) **Patent No.:** **US D678,397 S**  
(45) **Date of Patent:** **\*\* Mar. 19, 2013**

(54) **CARRIER APPARATUS SHELL FOR PNEUMATIC TUBE DELIVERY SYSTEM**

(75) Inventors: **Mark MacLean-Blevins**, Westminster, MD (US); **Steven Dahl**, Baltimore, MD (US); **Frederick M. Valerino, Sr.**, Timonium, MD (US)

(73) Assignee: **Pevco Systems International, Inc.**, Baltimore, MD (US)

(\*\*) Term: **14 Years**

(21) Appl. No.: **29/432,264**

(22) Filed: **Sep. 14, 2012**

**Related U.S. Application Data**

(63) Continuation of application No. 13/307,824, filed on Nov. 30, 2011, now Pat. No. 8,267,622.

(51) **LOC (9) Cl.** ..... **18-99**

(52) **U.S. Cl.** ..... **D18/35**

(58) **Field of Classification Search** ..... D18/35;  
D3/300; D9/503, 504, 454; D99/28, 35;  
D24/131; 406/110-112, 147-150, 176-180,  
406/184, 186, 187, 190; 138/26, DIG. 8;  
193/2 R, 8; 220/4.22, 200, 231, 252, 315,  
220/324, 326, 810, 811, 816, 820, 823, 824,  
220/827-830, 831, 833, 836-839, 849; 340/10.31;  
700/43, 215, 216, 218, 221, 225, 226, 228-232;  
705/2, 27.1, 35, 39, 43

See application file for complete search history.

(56) **References Cited**

**U.S. PATENT DOCUMENTS**

3,266,751 A \* 8/1966 Purdy et al. .... 406/189  
(Continued)

*Primary Examiner* — Bridget L Eland

(74) *Attorney, Agent, or Firm* — Rosenberg, Klein & Lee

(57) **CLAIM**

The ornamental design for a carrier apparatus shell for pneumatic tube delivery system, as shown and described.

**DESCRIPTION**

FIG. 1 is a frontal perspective view of a carrier apparatus shell for pneumatic tube delivery system illustratively incorporating our present design;

FIG. 2 is a top elevational view thereof;

FIG. 3 is a front elevational view thereof;

FIG. 4 is a right side elevational view thereof, an opposing left side elevational view being a mirror reflection of such right side elevational view;

FIG. 5 is another frontal perspective view of the carrier apparatus shell for pneumatic tube delivery system as shown in FIG. 1, with certain illustrative features previously shown removed in order to show aspects of the design that would otherwise not be apparent;

FIG. 6 is a rear perspective view of thereof;

FIG. 7 is another frontal perspective view of the carrier apparatus shell for pneumatic tube delivery system as shown in FIG. 1, but in an unlocked configuration;

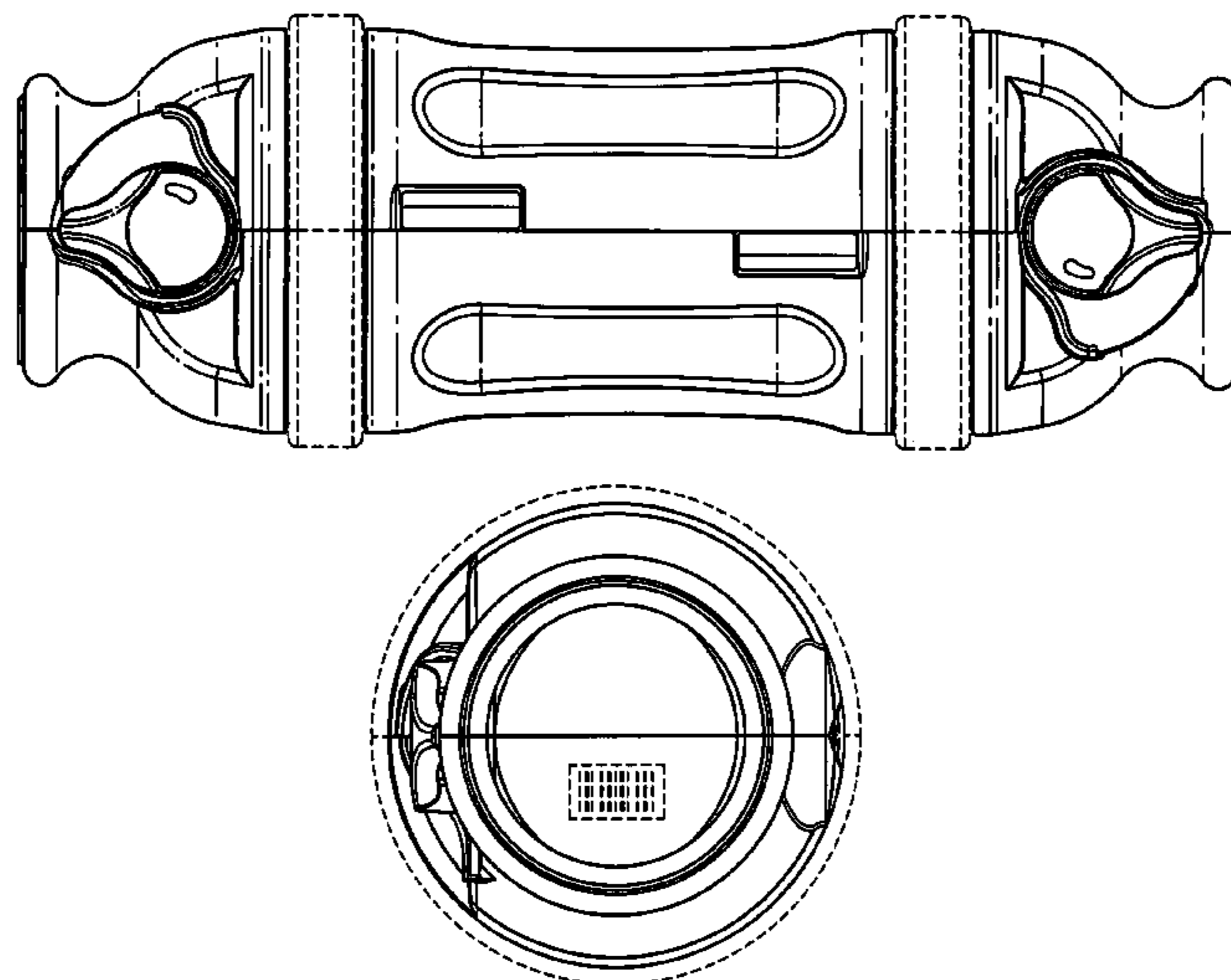
FIG. 8 is a frontal perspective view thereof, with the unlocked shell in an open configuration;

FIG. 9 is a rear perspective view thereof, with the unlocked shell in the open configuration;

FIG. 10 is a rear perspective view of the carrier apparatus shell for pneumatic tube delivery system as shown in FIG. 1 in a vertical orientation, as viewed from a first viewing angle; and, FIG. 11 is another rear perspective view of the carrier apparatus shell for pneumatic tube delivery system as shown in FIG. 1 in a vertical orientation, as viewed from a second viewing angle.

The broken lines encompassing unshaded regions in the FIG. 6 and FIG. 9 views represent the bounds of the claimed design while all other broken lines are directed to environment and are for illustrative purposes only; the broken lines form no part of the claimed design.

**1 Claim, 10 Drawing Sheets**



# US D678,397 S

Page 2

## U.S. PATENT DOCUMENTS

3,701,497	A *	10/1972	Anders et al. ....	406/188	6,477,442	B1 *	11/2002	Valerino, Sr. ....	700/213
D227,346	S *	6/1973	Fisher .....	D18/35	6,702,150	B2 *	3/2004	Sumetzberger .....	221/265
3,787,007	A *	1/1974	Alexandrov et al. ....	406/185	6,959,229	B2 *	10/2005	Eidemiller .....	700/226
3,788,577	A *	1/1974	Barnett et al. ....	406/188	D520,136	S *	5/2006	Keller et al. ....	D24/131
3,825,210	A *	7/1974	Weaver .....	406/186	7,097,391	B1 *	8/2006	Keller et al. ....	406/186
D237,586	S *	11/1975	Plummer .....	D9/503	7,241,081	B1 *	7/2007	Keller et al. ....	406/186
4,114,835	A *	9/1978	Alexandrov et al. ....	406/190	7,243,002	B1 *	7/2007	Hoganson et al. ....	700/215
4,529,335	A *	7/1985	Hilbert et al. ....	406/1	7,363,106	B1 *	4/2008	Hoganson et al. ....	700/225
4,546,874	A *	10/1985	Kirchhan .....	220/4.22	7,424,340	B2 *	9/2008	Owens .....	700/230
4,620,577	A *	11/1986	Nordenswan .....	141/98	7,455,481	B1 *	11/2008	Keller et al. ....	406/188
4,948,303	A *	8/1990	Good .....	406/186	D585,481	S *	1/2009	Higgins et al. ....	D18/35
5,636,947	A *	6/1997	Valerino et al. ....	406/186	D620,800	S *	8/2010	Thielman et al. ....	D9/516
5,655,677	A *	8/1997	Fratello et al. ....	220/4.22	7,874,768	B1 *	1/2011	Keller et al. ....	406/188
D387,988	S *	12/1997	Fitten et al. ....	D9/504	7,953,515	B2 *	5/2011	Hoganson et al. ....	700/225
5,864,485	A *	1/1999	Hawthorne et al. ....	700/229	8,267,622	B1 *	9/2012	MacLean- Blevins et al. ....	406/186
5,871,308	A *	2/1999	Valerino et al. ....	406/186	2001/0056311	A1 *	12/2001	Valerino, Sr. ....	700/214
5,901,965	A *	5/1999	Ringer et al. ....	277/369	2002/0198738	A1 *	12/2002	Osborne .....	705/2
5,901,966	A *	5/1999	Valerino et al. ....	277/548	2004/0223660	A1 *	11/2004	Zank et al. ....	382/277
5,980,164	A *	11/1999	Fratello .....	406/190	2010/0247251	A1 *	9/2010	Cornelius .....	406/190
6,234,723	B1 *	5/2001	Thalmayr .....	406/188	2011/0188630	A1 *	8/2011	Ohta et al. ....	378/62
D444,040	S *	6/2001	Yip .....	D7/679					

\* cited by examiner

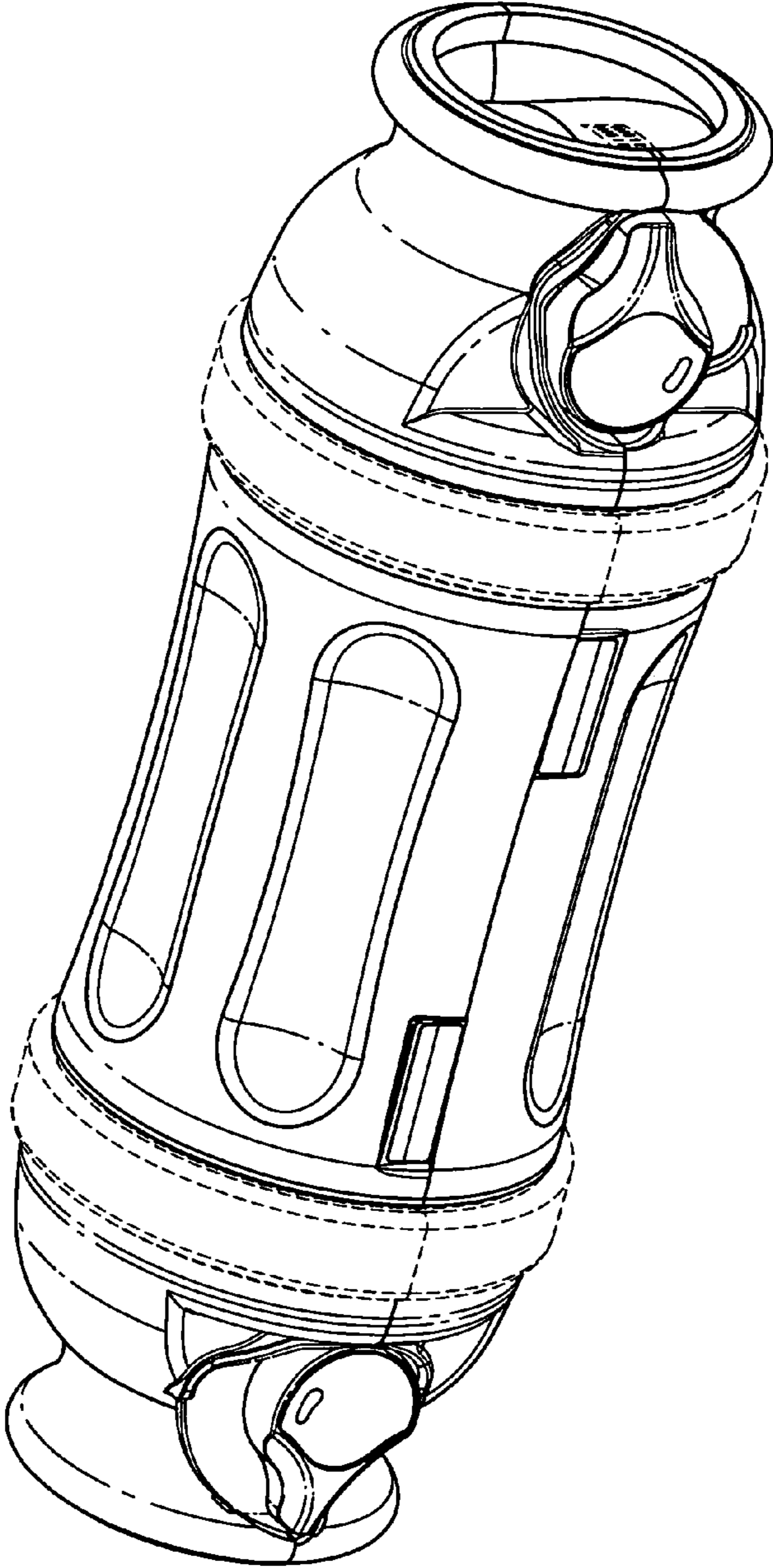


FIG. 1

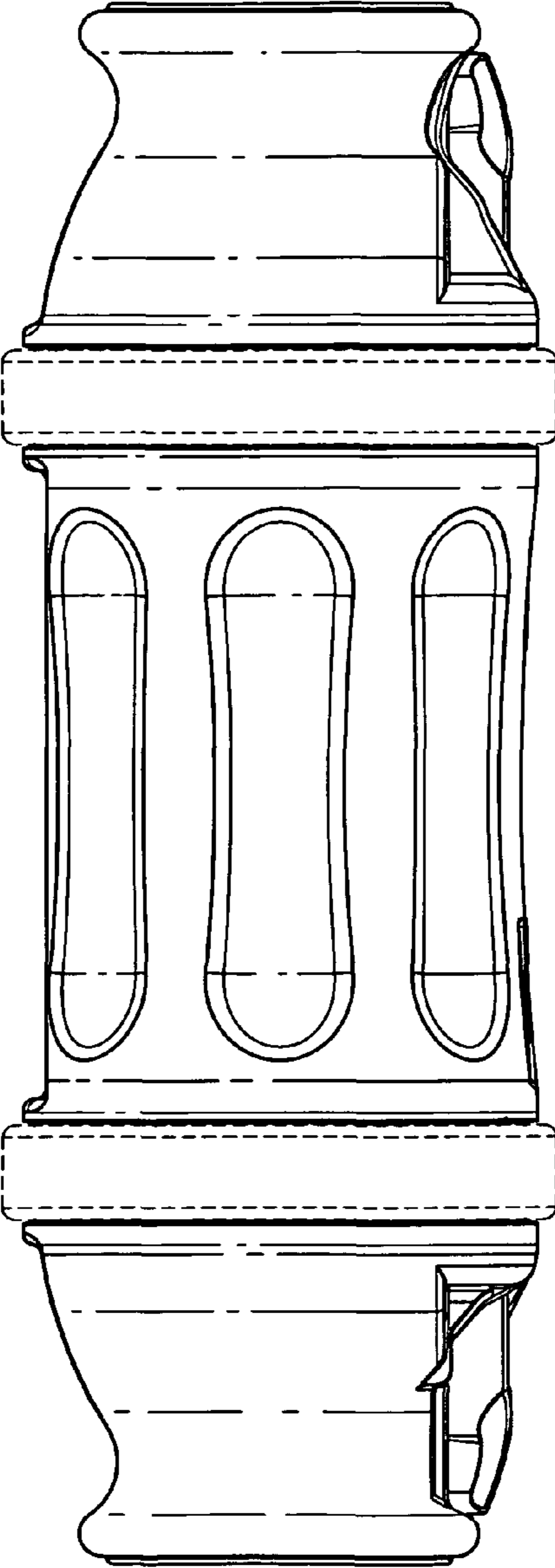


FIG. 2

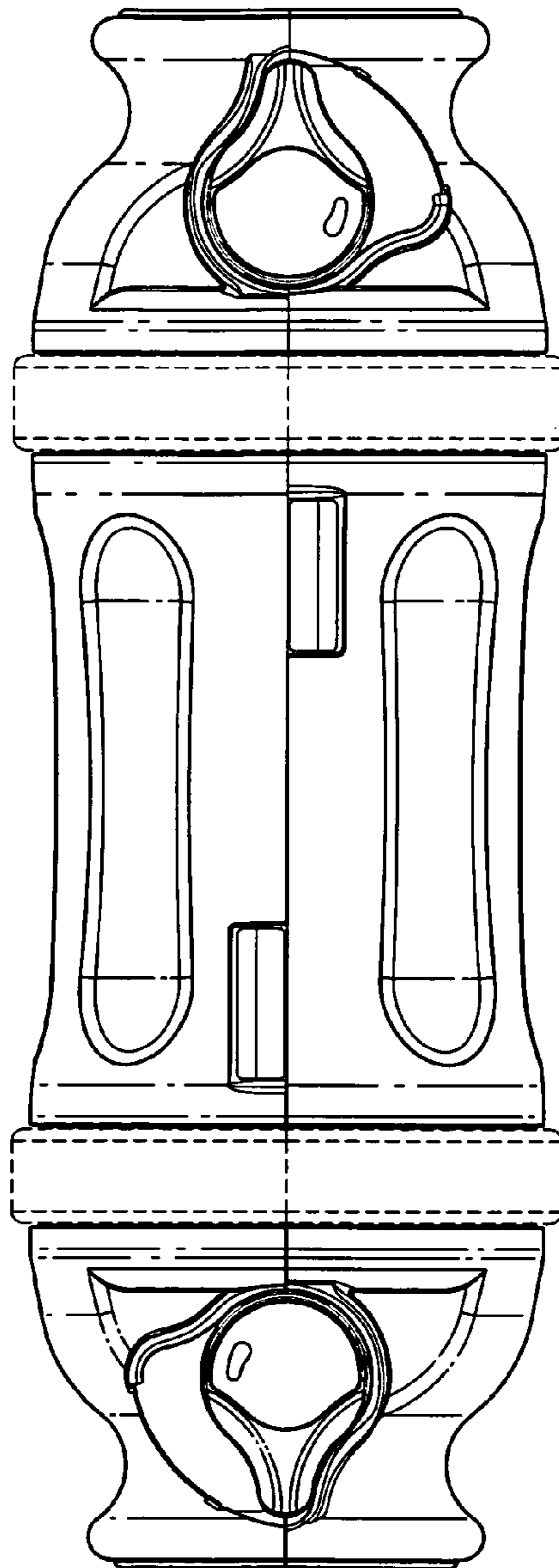


FIG. 3

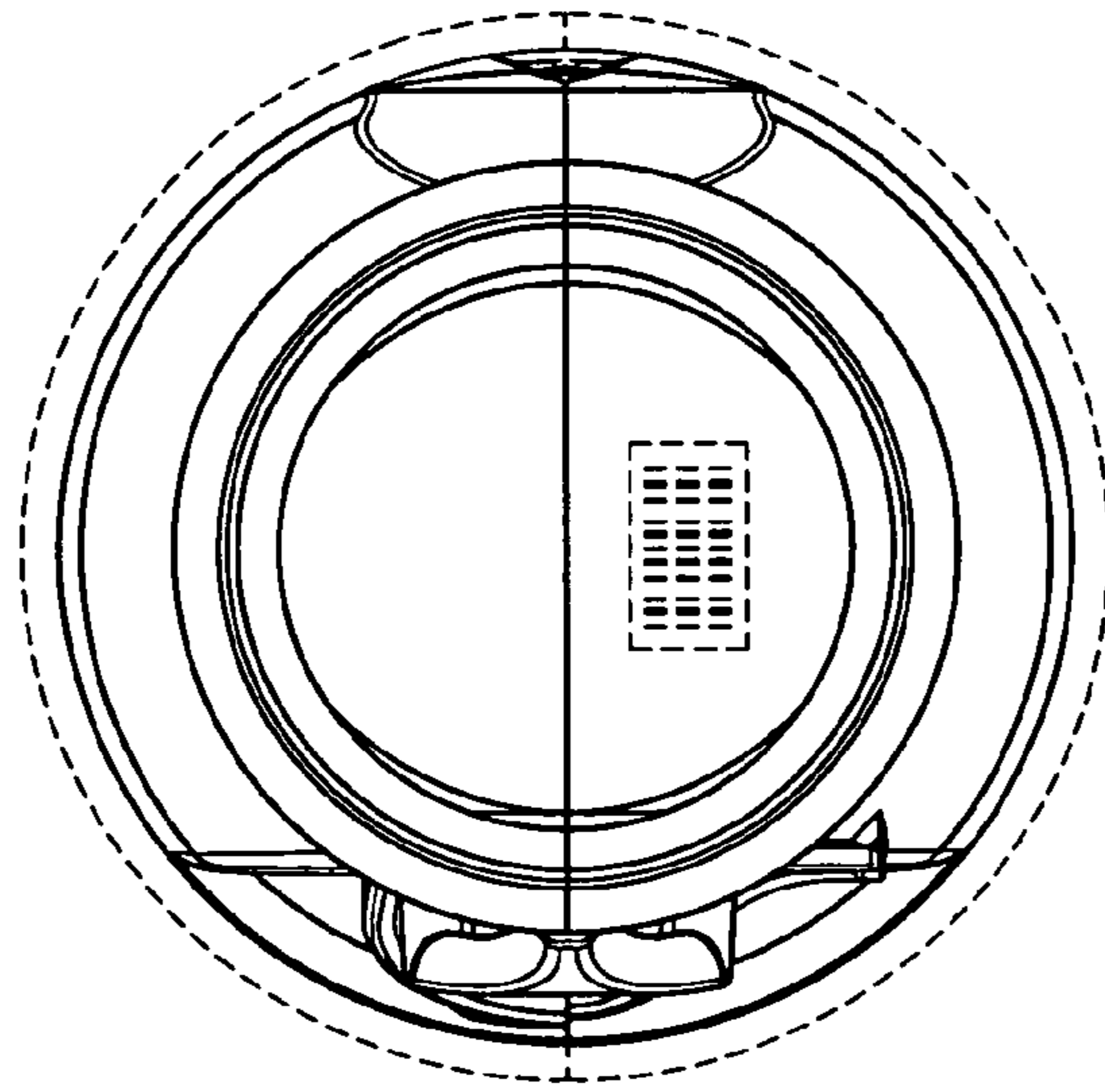


FIG. 4

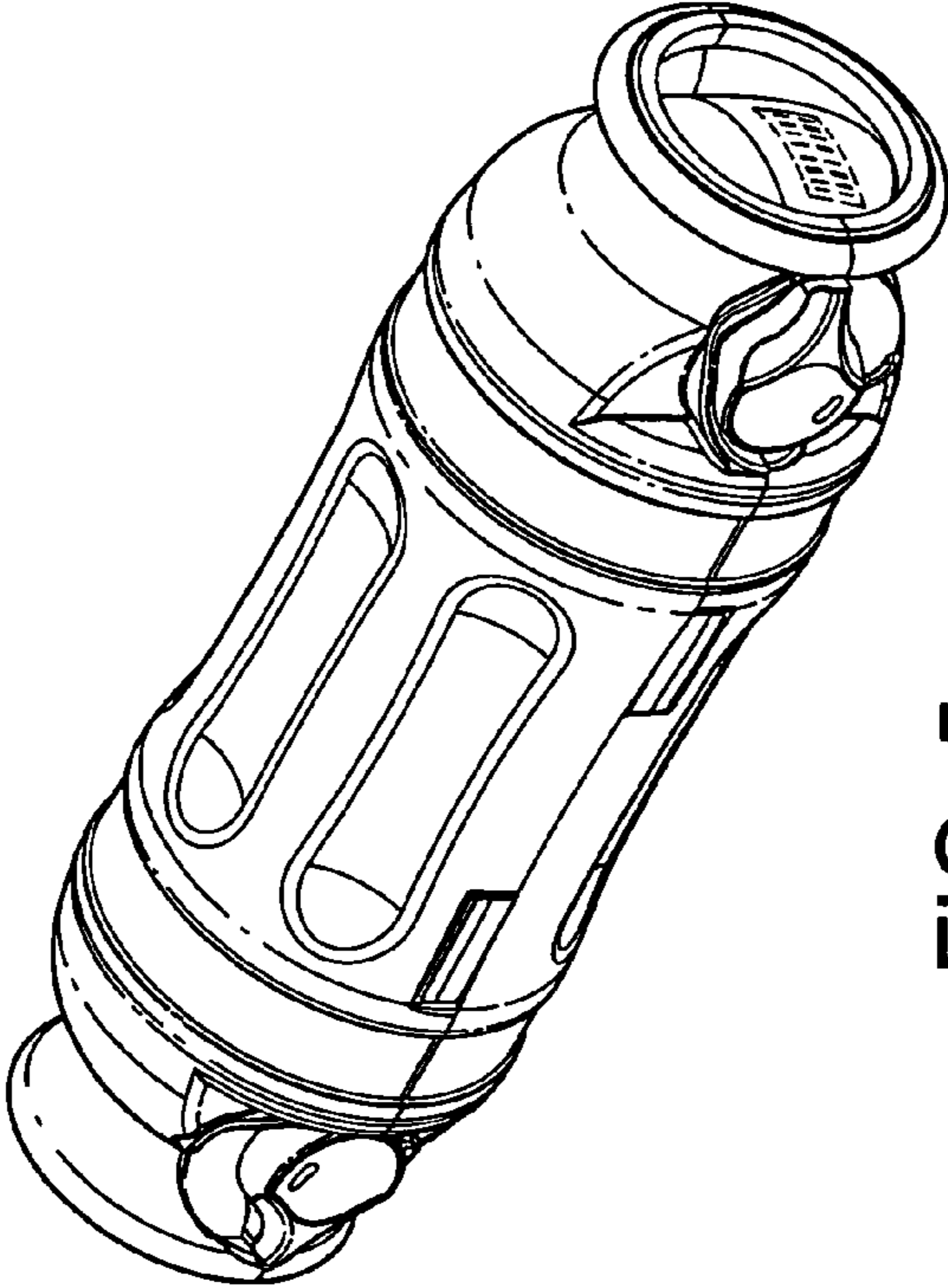


FIG. 5

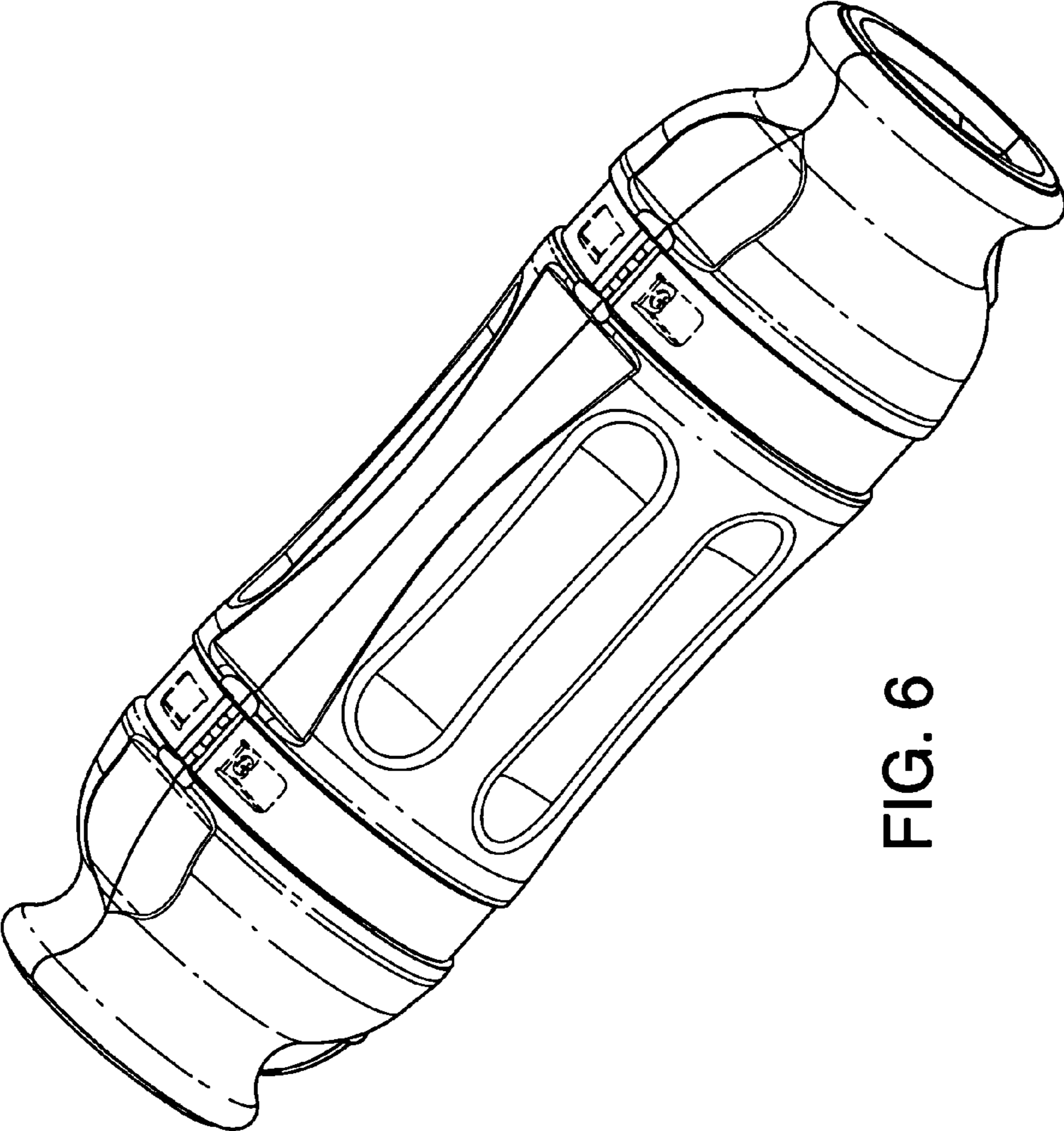


FIG. 6



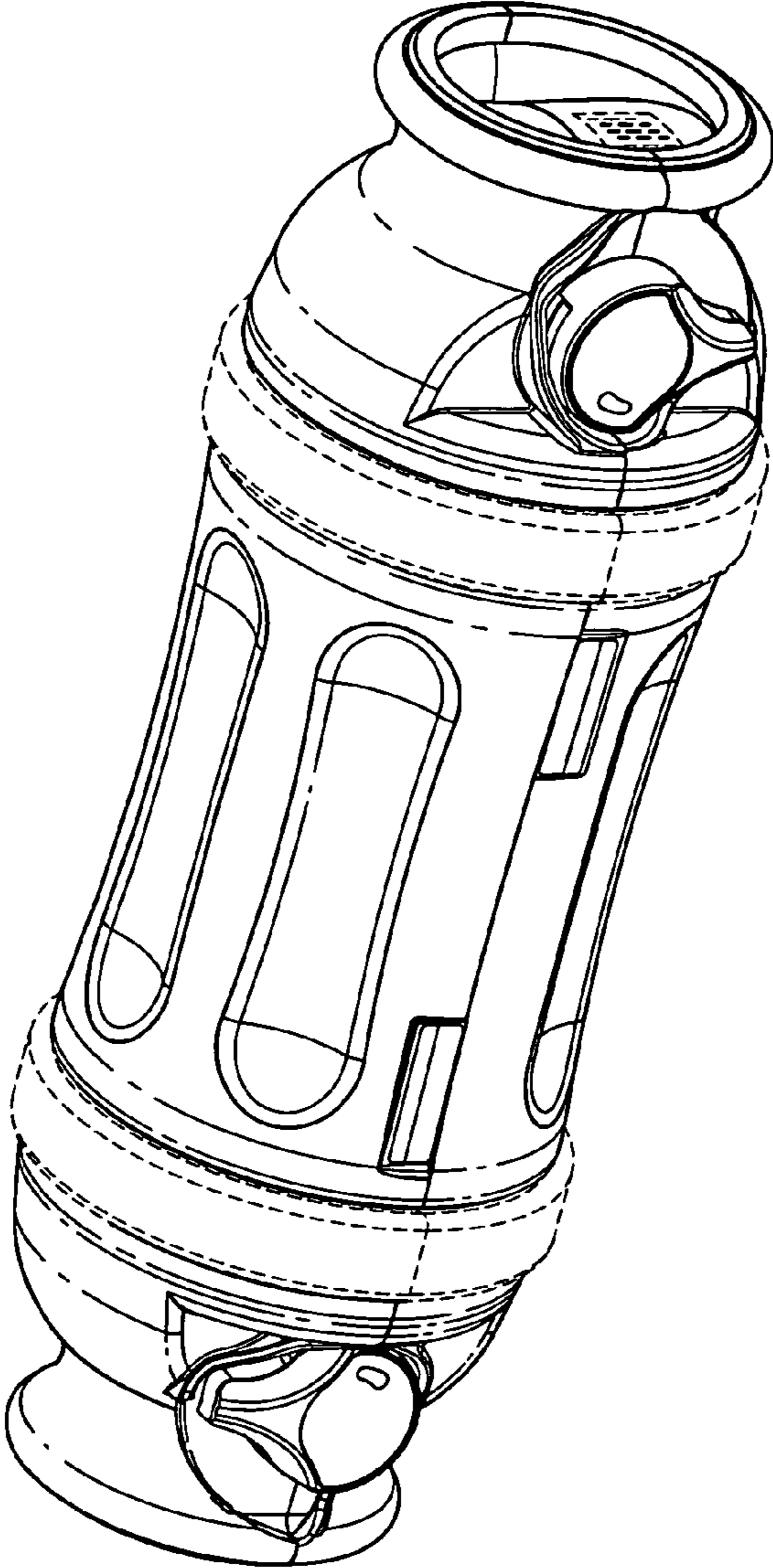


FIG. 7

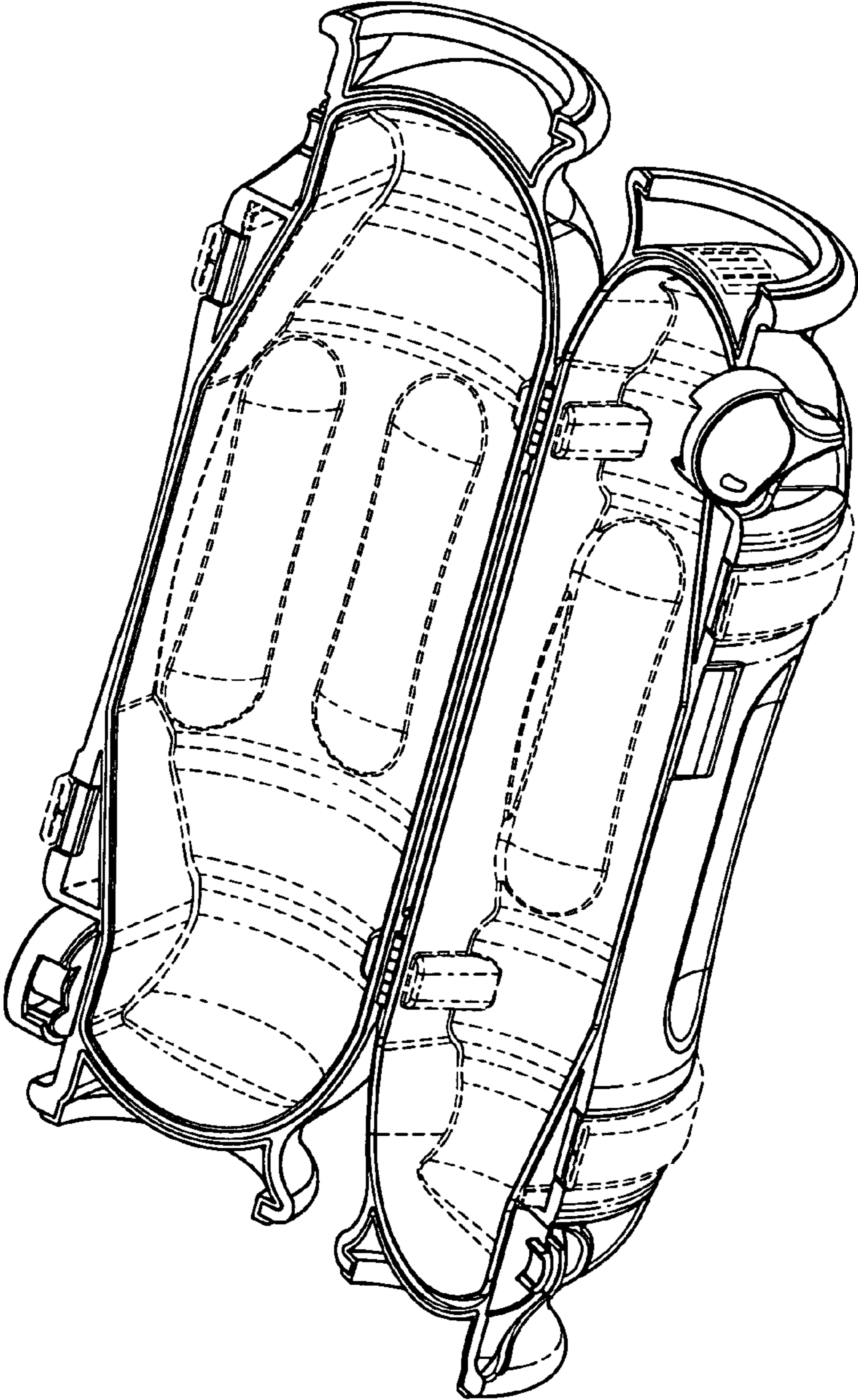


FIG. 8

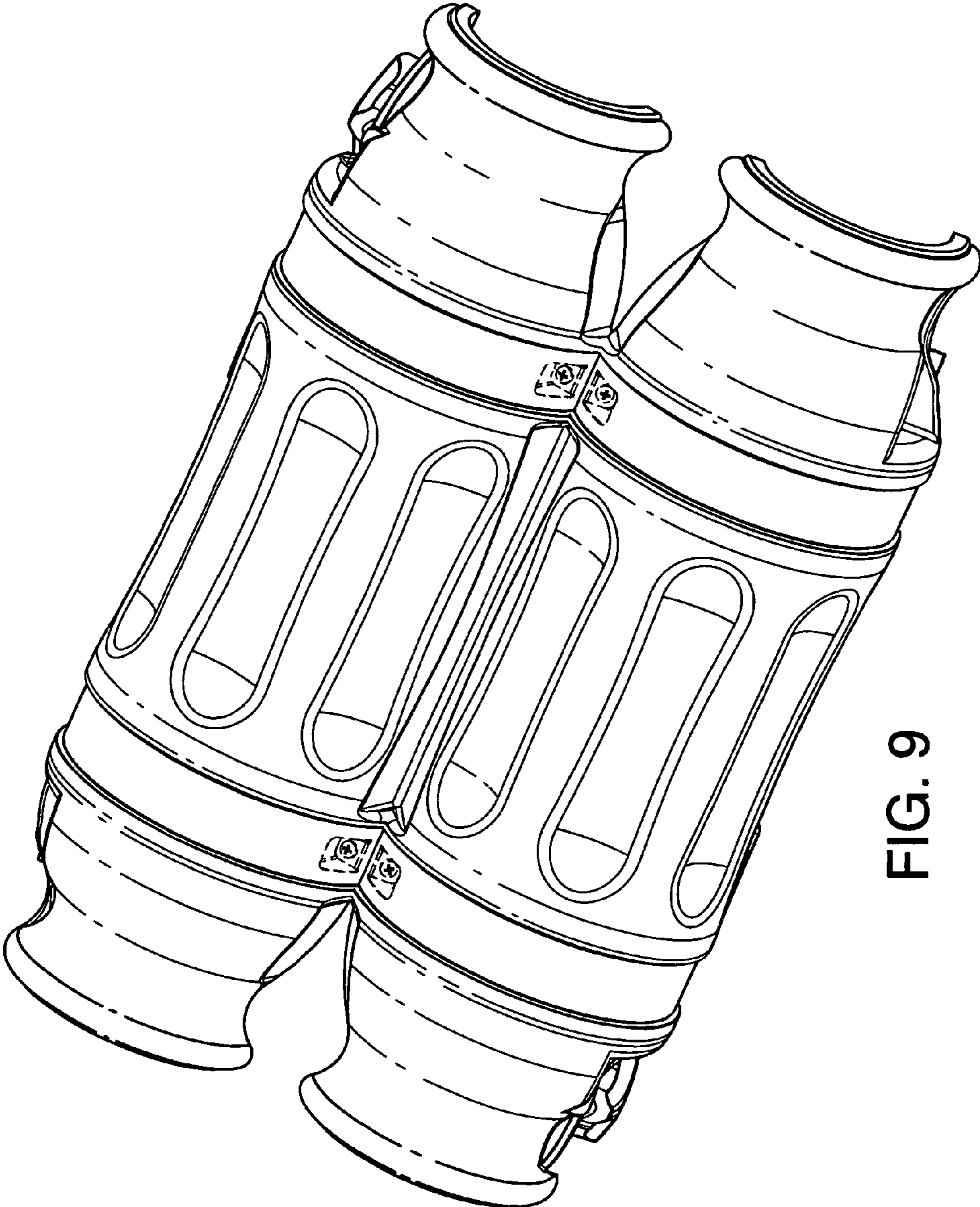


FIG. 9

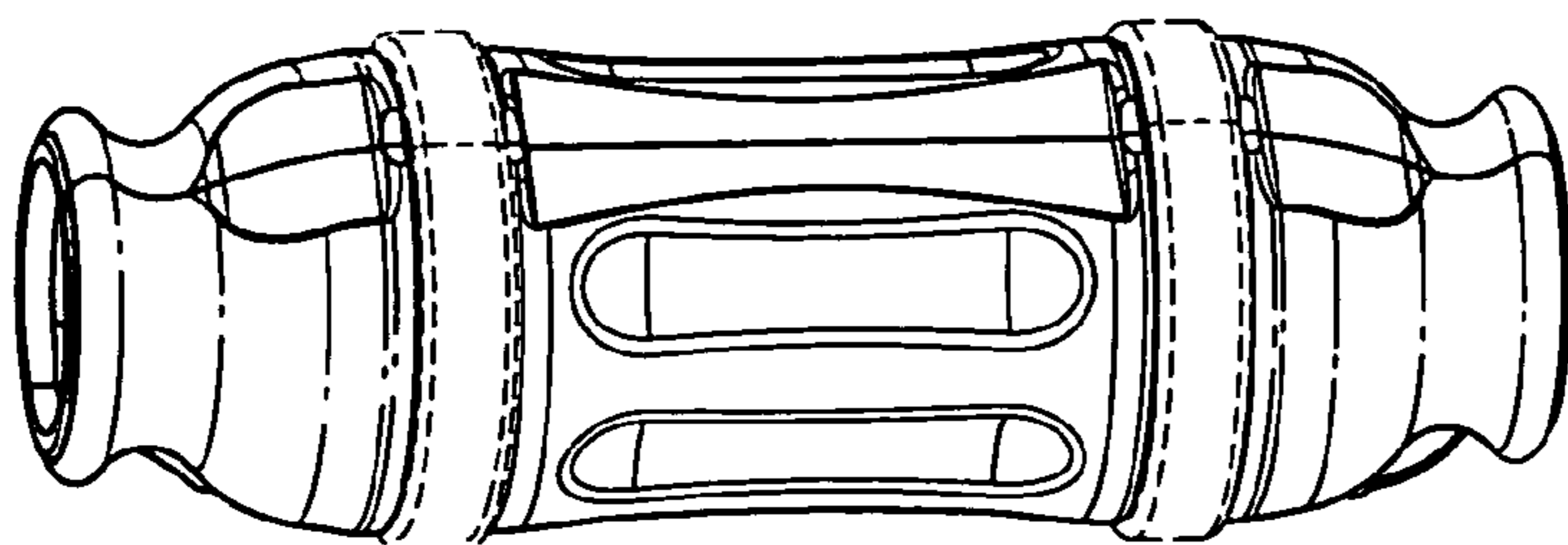


FIG. 10

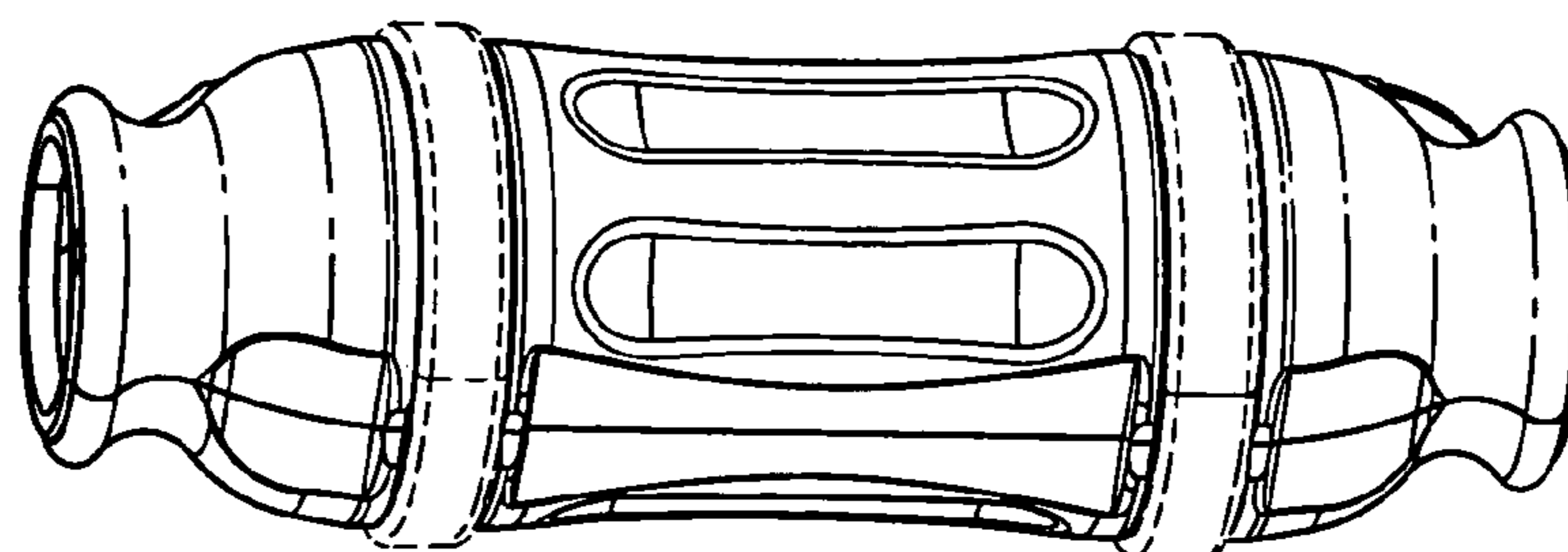


FIG. 11