



US00D678396S

(12) **United States Design Patent**
Zhang et al.

(10) **Patent No.:** **US D678,396 S**
(45) **Date of Patent:** **** Mar. 19, 2013**

(54) **SHREDDER**

(75) Inventors: **Lei Zhang**, Changzhou (CN); **Jianbo Qi**, Changzhou (CN); **Ziqiang Ding**, Changzhou (CN); **Ping Guo**, Changzhou (CN); **Licheng Zhou**, Changzhou (CN)

(73) Assignee: **Jiangsu New United Office Equipments Co., Ltd.**, Changzhou, Jiangsu Province (CN)

(**) Term: **14 Years**

(21) Appl. No.: **29/405,014**

(22) Filed: **Oct. 27, 2011**

(30) **Foreign Application Priority Data**

Aug. 22, 2011 (CN) 2011 3 0284507

(51) **LOC (9) Cl.** **18-04**

(52) **U.S. Cl.** **D18/34.5**

(58) **Field of Classification Search** D18/34.3, D18/34.4, 34.5, 34.6, 34.9; D23/356, 359, D23/360, 364; D34/9; 241/100, 236, 30, 241/36

See application file for complete search history.

(56) **References Cited**

U.S. PATENT DOCUMENTS

D265,909	S	*	8/1982	Hatanaka	D18/34.6
4,700,902	A	*	10/1987	Yeomans	241/100
D299,035	S	*	12/1988	Nishibori et al.	D18/34.6
D454,907	S	*	3/2002	Ho	D18/34.6
D477,016	S	*	7/2003	Lee	D18/34.6
D502,961	S	*	3/2005	Lo	D18/34.6
D532,444	S	*	11/2006	Kao et al.	D18/34.4
D615,122	S	*	5/2010	Graves	D18/34.5
D647,952	S	*	11/2011	Sued et al.	D18/34.5
2012/0018554	A1	*	1/2012	Seo et al.	241/101.2

* cited by examiner

Primary Examiner — Bridget L Eland

(74) *Attorney, Agent, or Firm* — Buchanan Ingersoll & Rooney PC

(57) **CLAIM**

The ornamental design for a shredder, as shown and described.

DESCRIPTION

FIG. 1 is a front elevational view of a shredder showing our new design.

FIG. 2 is a rear elevational view thereof.

FIG. 3 is a left side elevational view thereof.

FIG. 4 is a right side elevational view thereof.

FIG. 5 is a top plan view thereof.

FIG. 6 is a bottom plan view thereof; and,

FIG. 7 is a perspective view thereof.

1 Claim, 4 Drawing Sheets

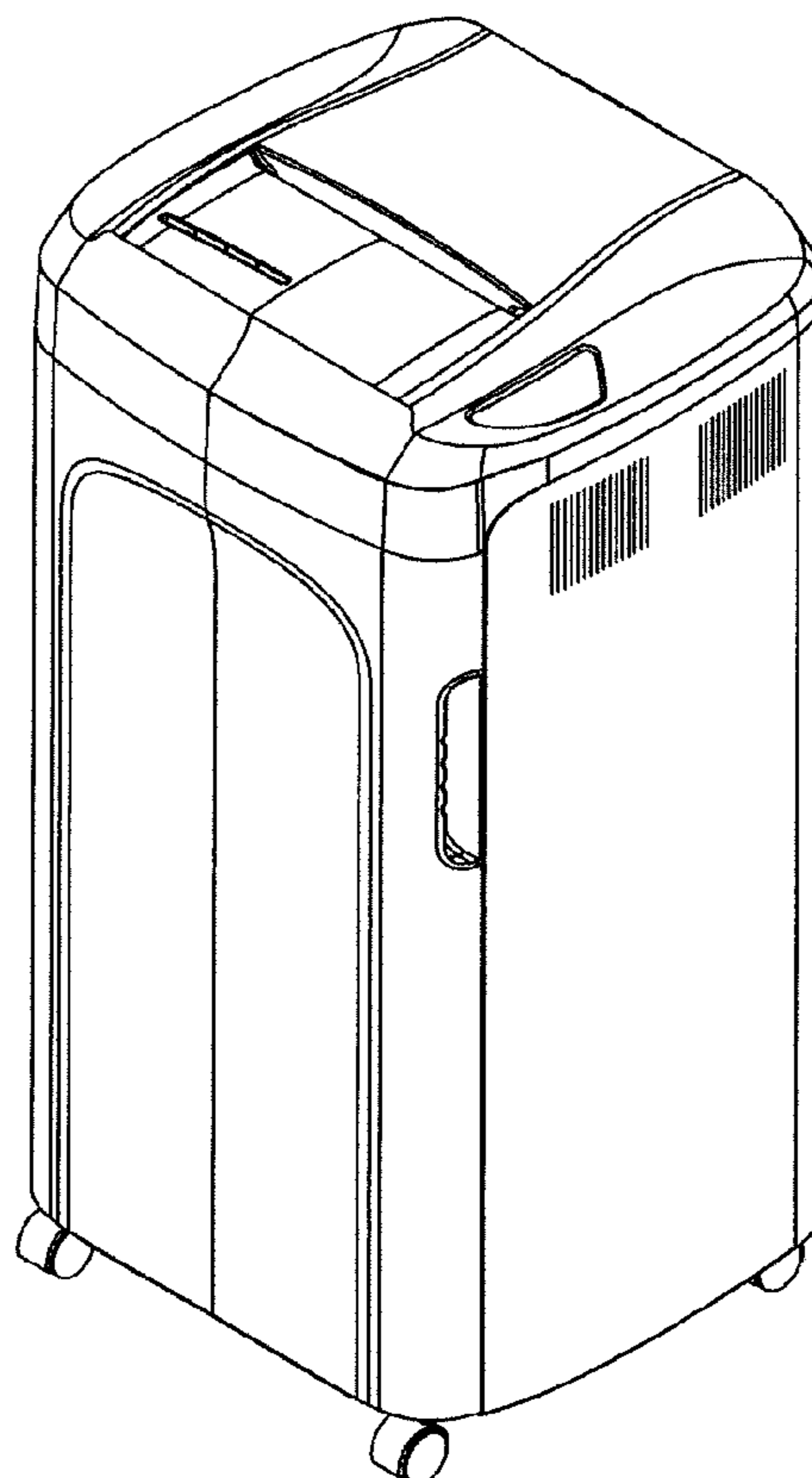
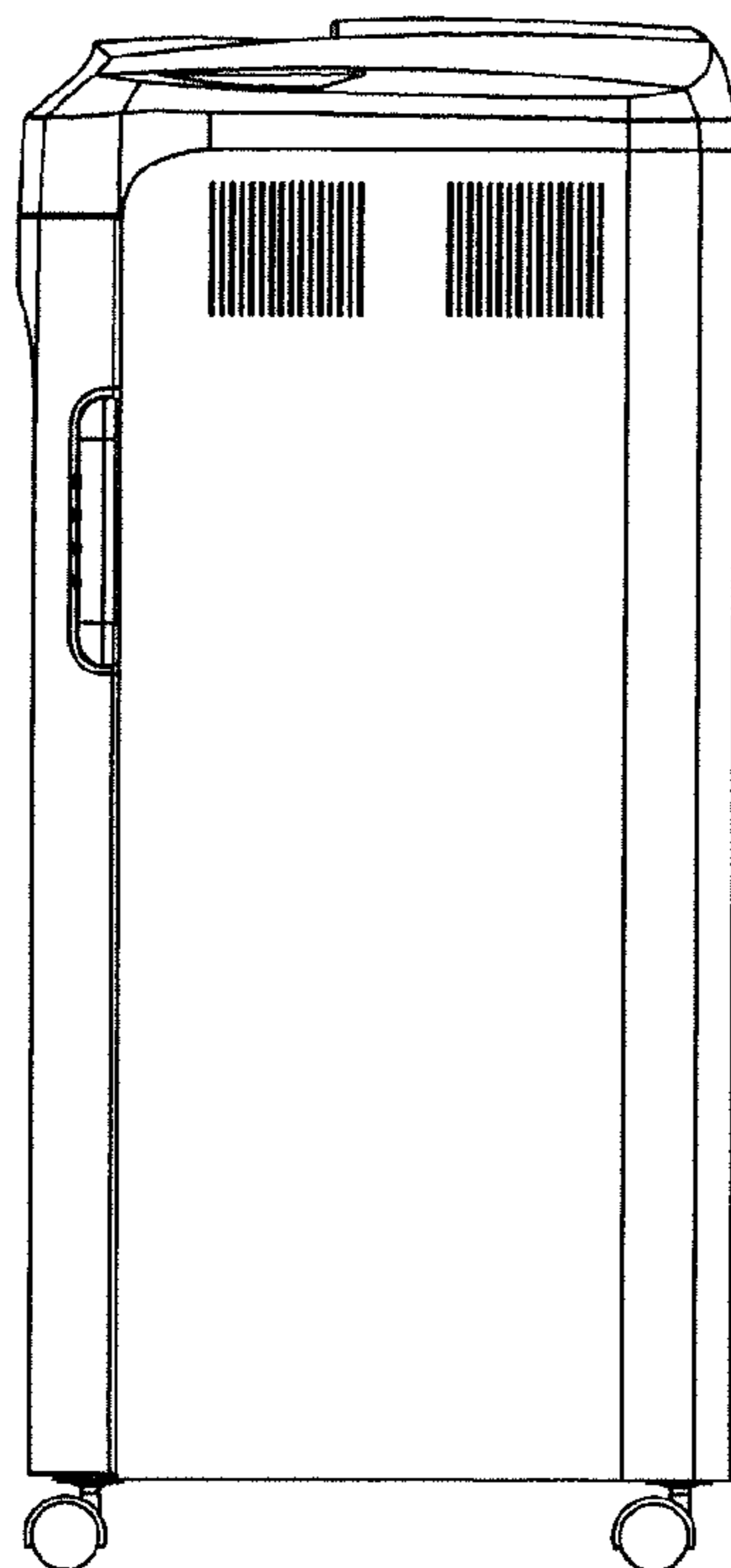


FIG. 1

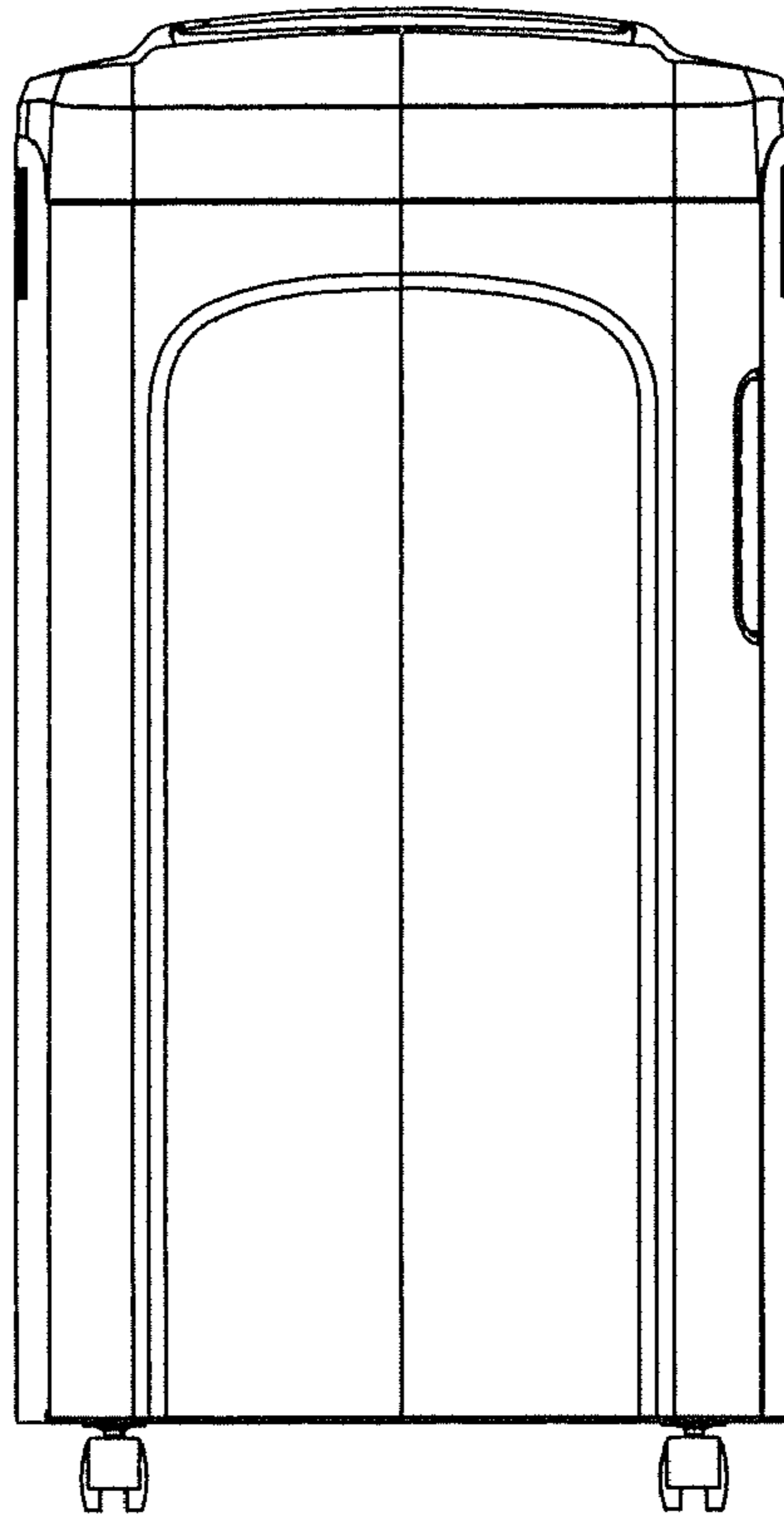


FIG. 2

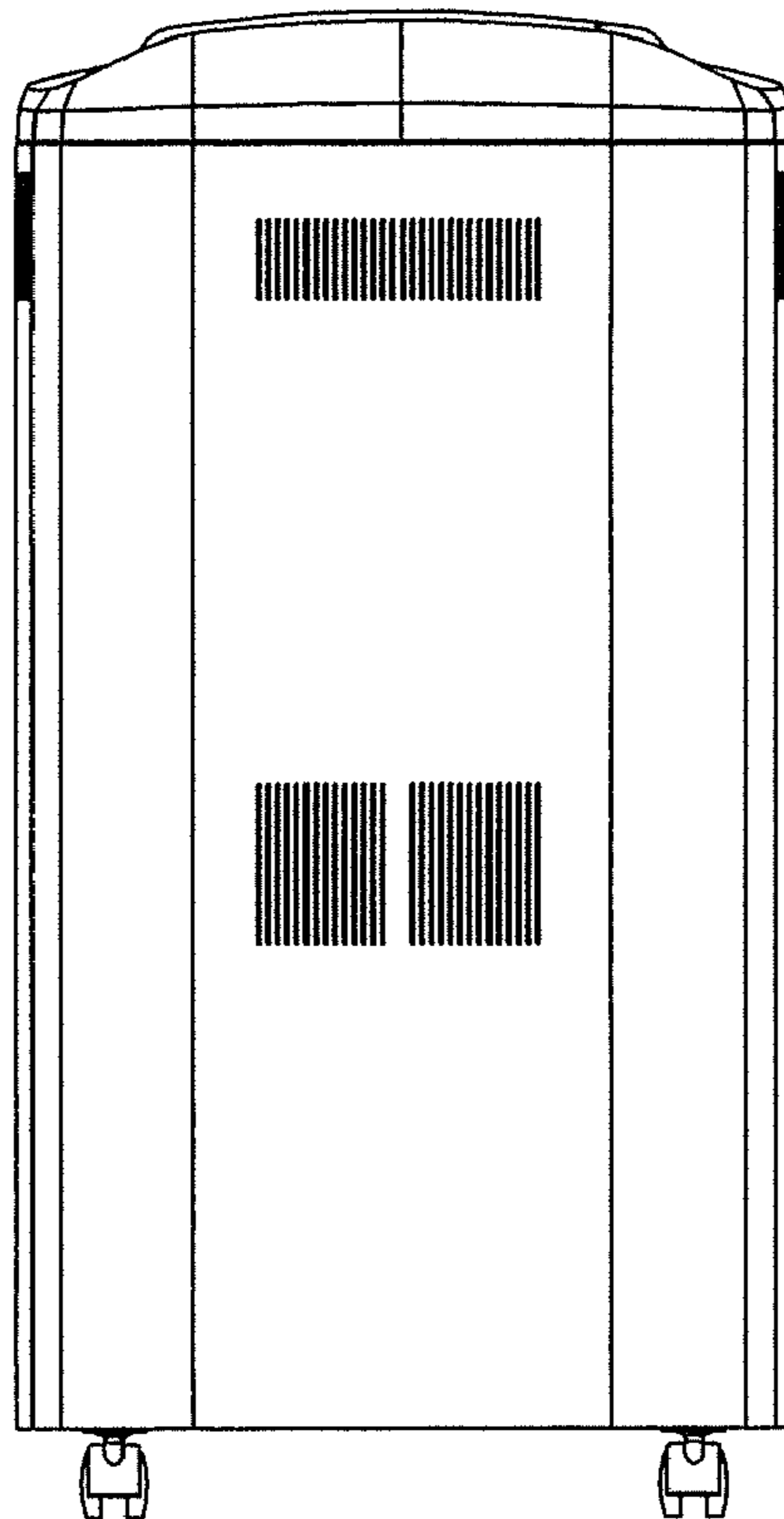


FIG. 3

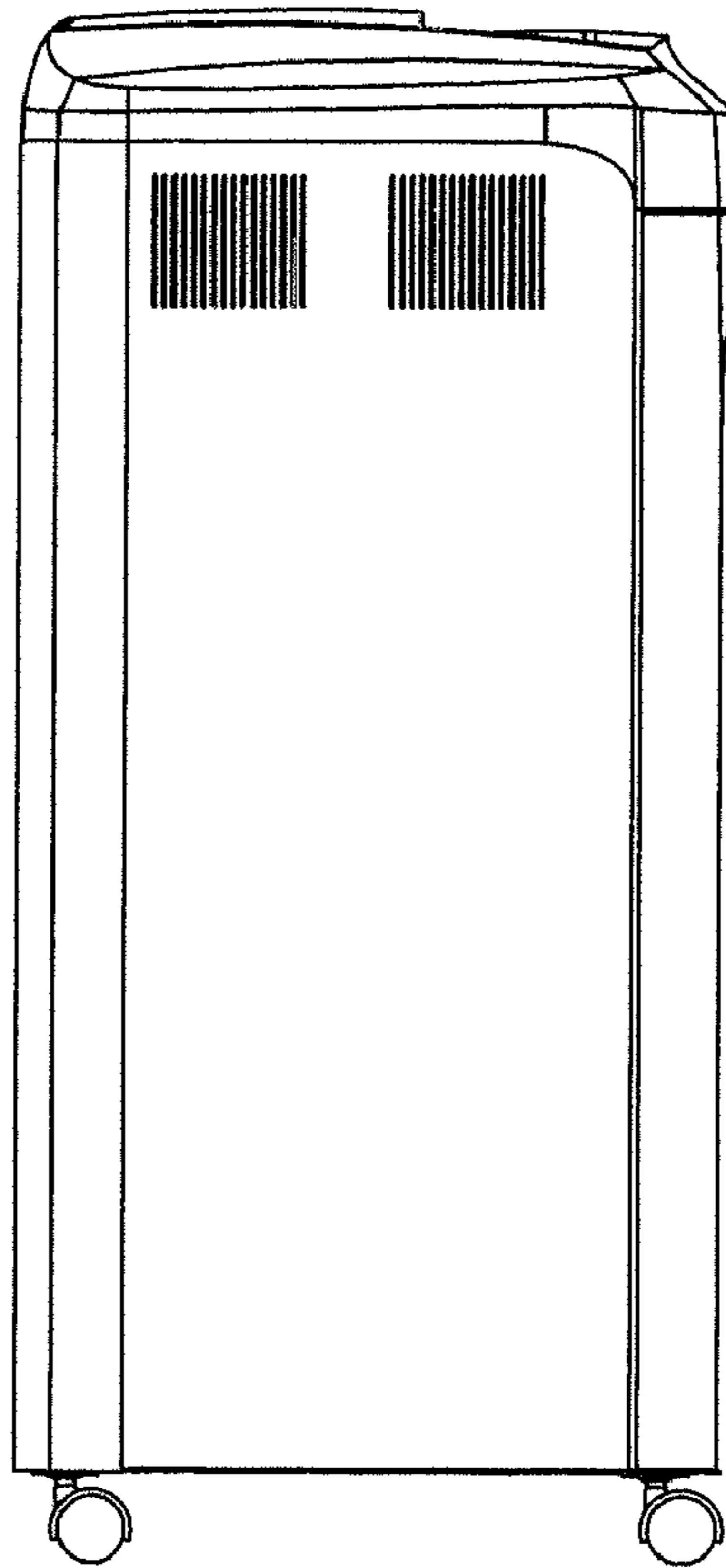
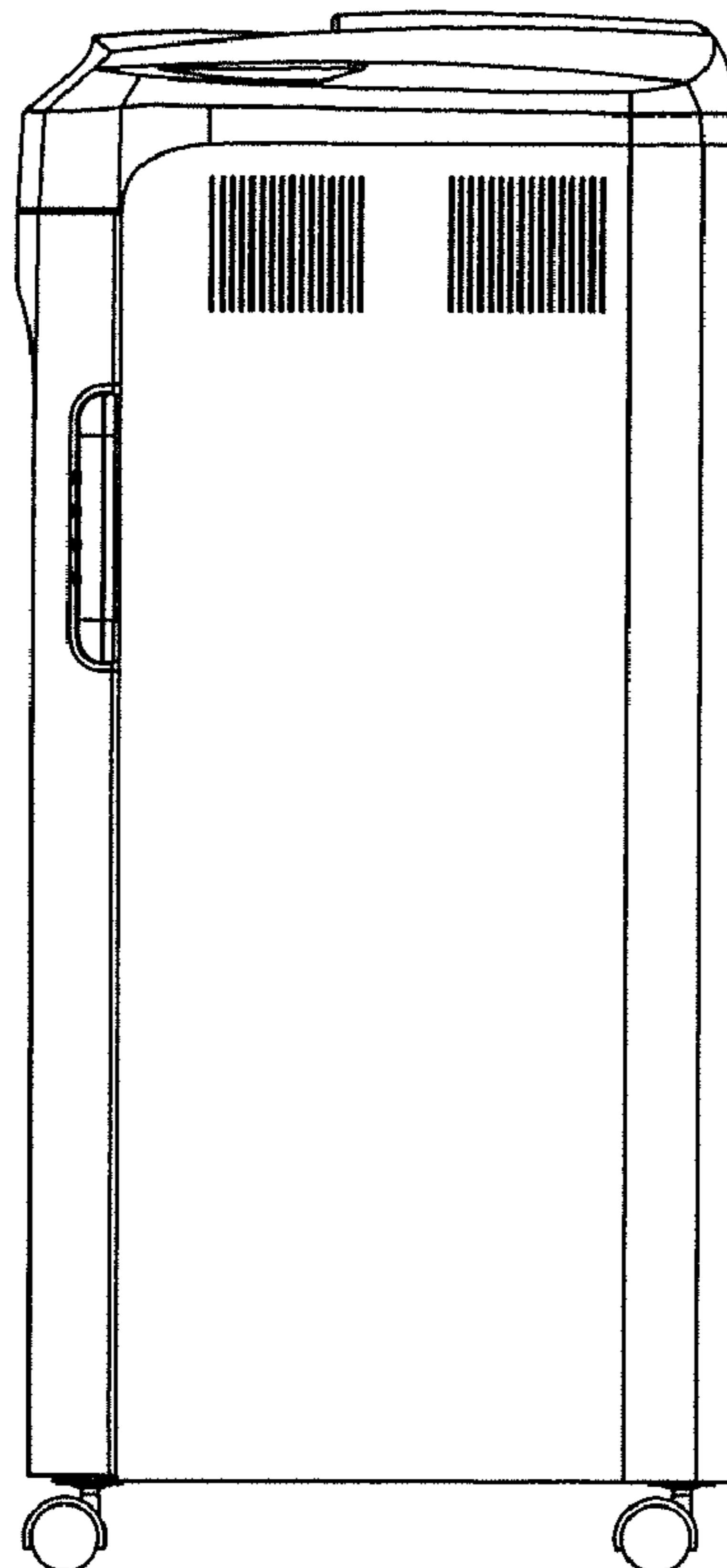


FIG. 4



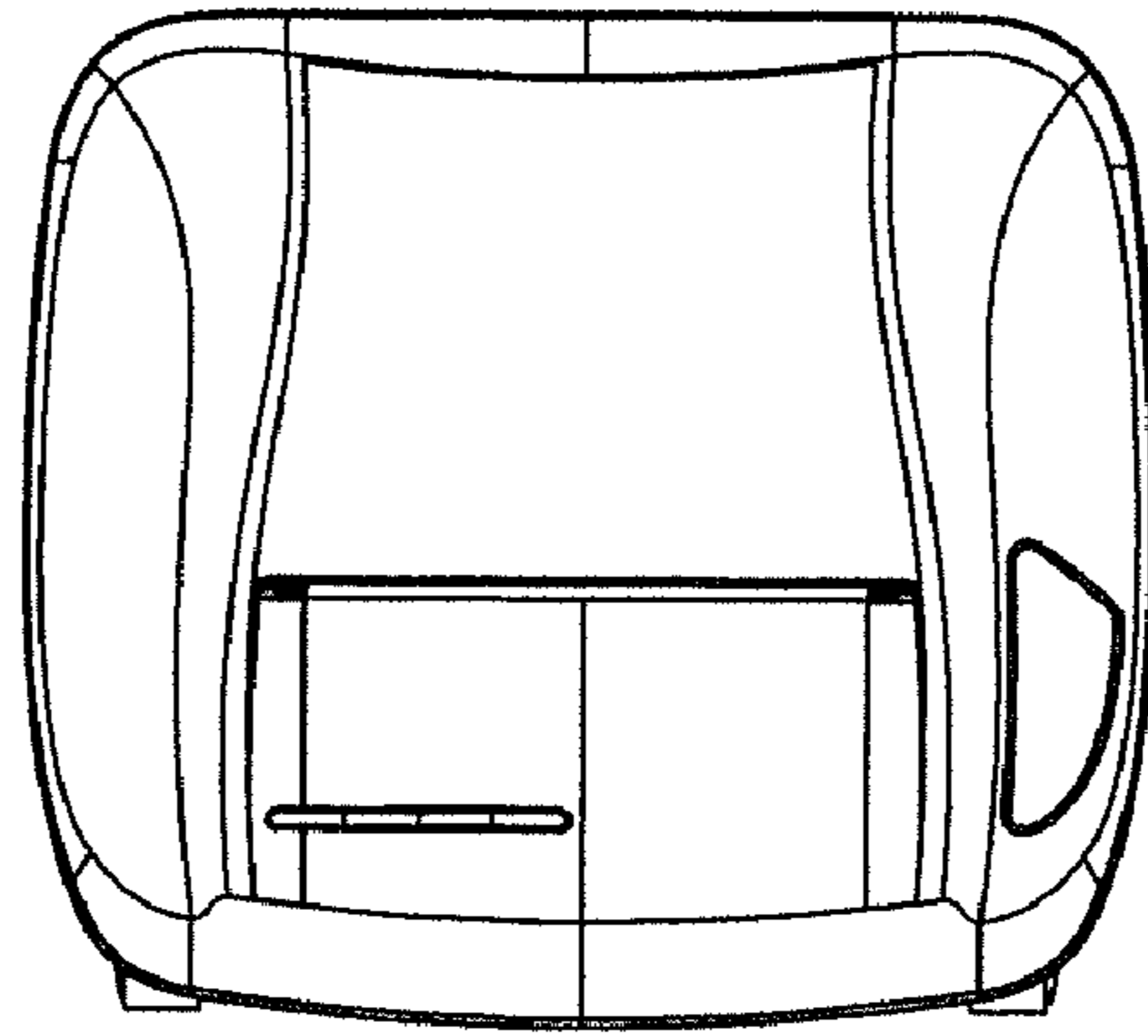


FIG. 5

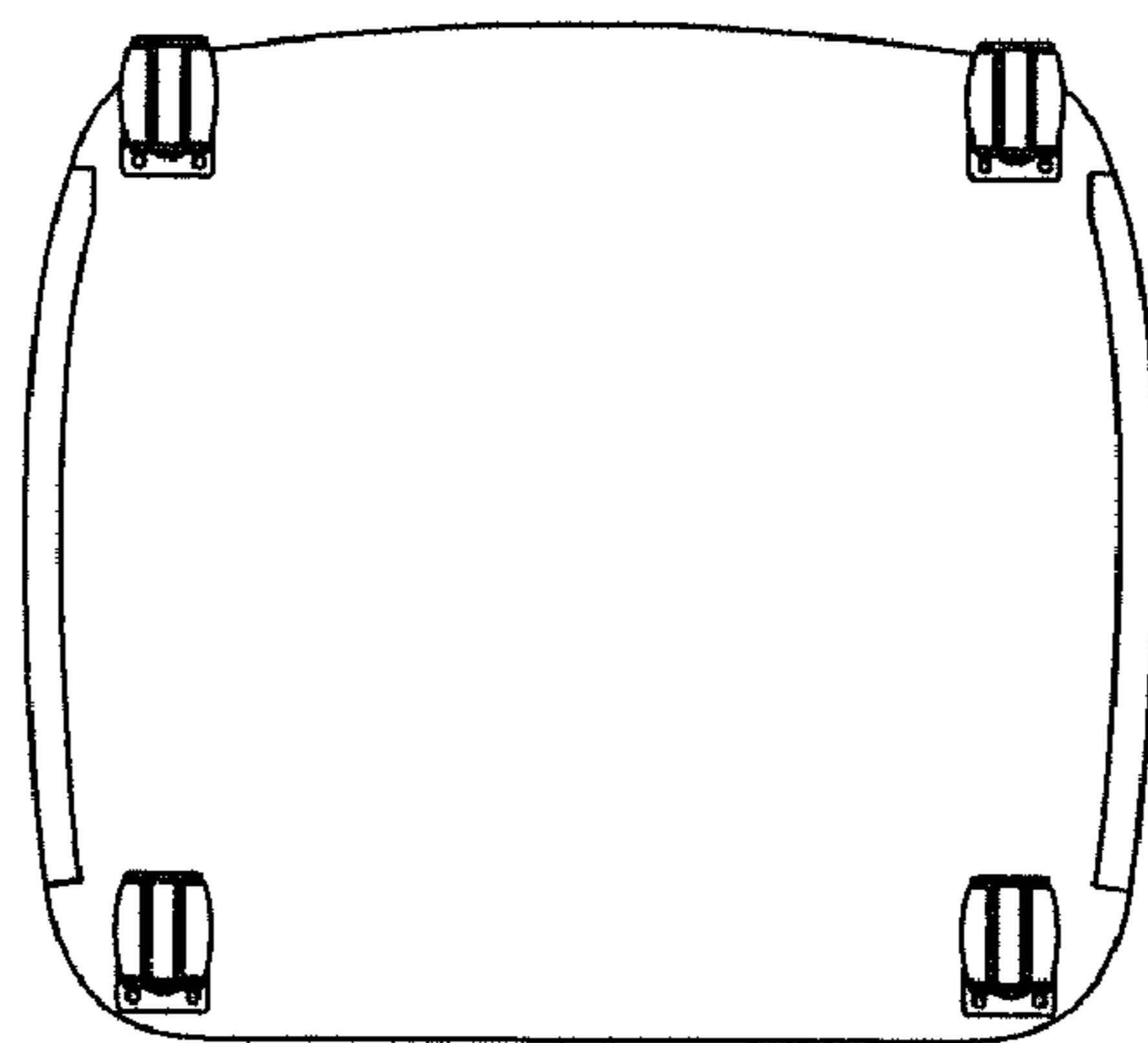


FIG. 6

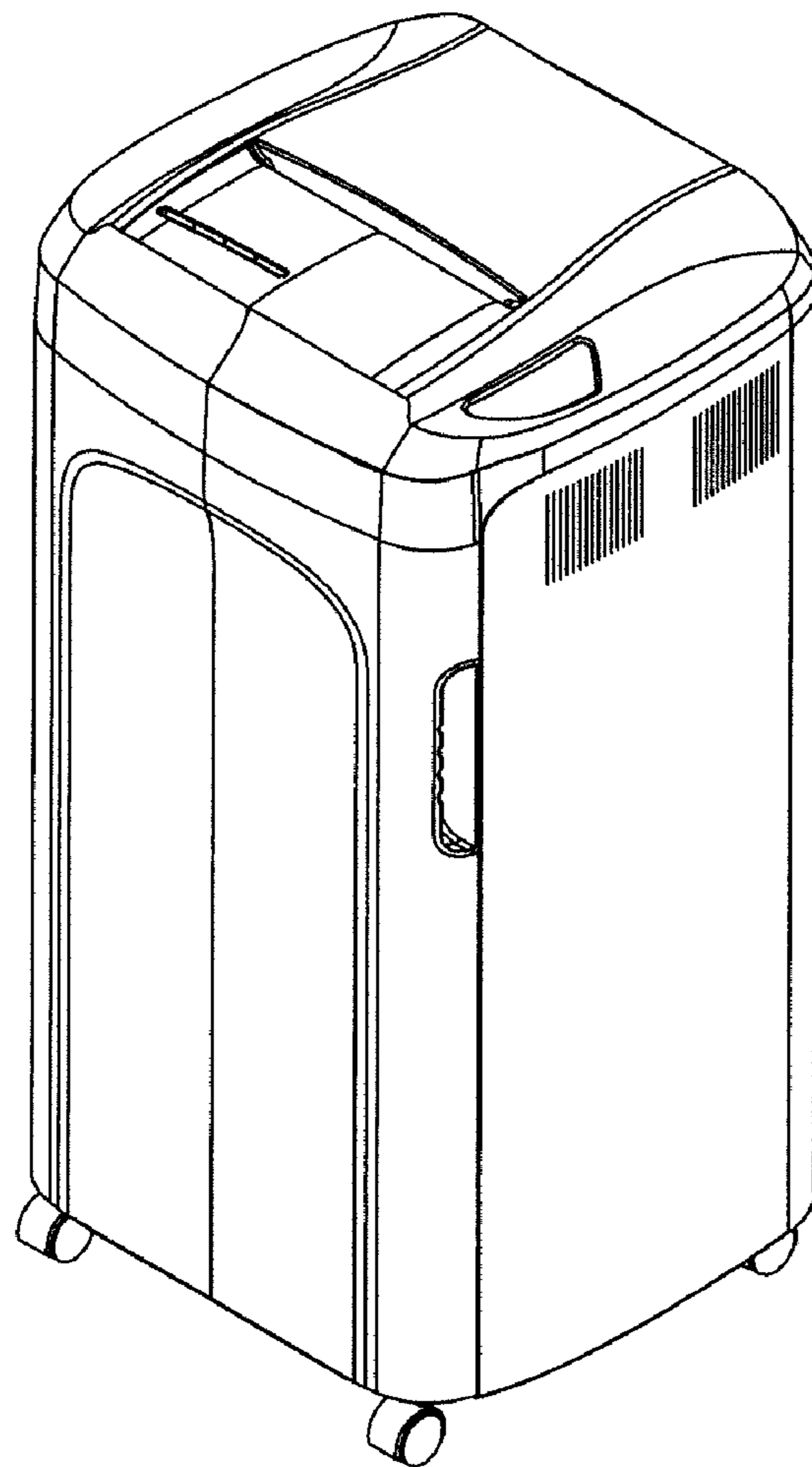


FIG. 7