



US00D678393S

(12) **United States Design Patent**
Duncan

(10) **Patent No.:** **US D678,393 S**
(45) **Date of Patent:** **** Mar. 19, 2013**

(54) **CAPO DEVICE**

(76) Inventor: **Jim Duncan**, Biggar (GB)

(**) Term: **14 Years**

(21) Appl. No.: **29/377,670**

(22) Filed: **Oct. 25, 2010**

(30) **Foreign Application Priority Data**

Apr. 24, 2010 (GB) 4015399

(51) **LOC (9) Cl.** **17-03**

(52) **U.S. Cl.** **D17/20**

(58) **Field of Classification Search** D17/20,
D17/21, 99; 84/214, 314 R, 317, 318, 453,
84/455

See application file for complete search history.

(56) **References Cited**

U.S. PATENT DOCUMENTS

2,604,805	A *	7/1952	Haffner	84/318
3,933,077	A *	1/1976	Dunlop	84/318
4,128,034	A *	12/1978	Myerson et al.	84/318
4,252,046	A *	2/1981	Myerson et al.	84/318
D270,918	S *	10/1983	Williamson et al.	D17/20
D324,532	S *	3/1992	Pearse	D17/20
D348,280	S *	6/1994	Fessenden	D17/21

D365,118	S *	12/1995	Kyser	D17/20
6,271,448	B1 *	8/2001	Steinberger	84/318
6,521,820	B1 *	2/2003	Patel	84/318
D514,151	S *	1/2006	Fowler, Jr.	D17/20
D521,048	S *	5/2006	Steinberger	D17/20
7,390,948	B2 *	6/2008	Walworth	84/318
D573,629	S *	7/2008	Steinberger	D17/20
D641,036	S *	7/2011	Park et al.	D17/20

* cited by examiner

Primary Examiner — Ian Simmons

Assistant Examiner — Carissa C Fitts

(74) *Attorney, Agent, or Firm* — Hultquist, PLLC; David S. Bradin

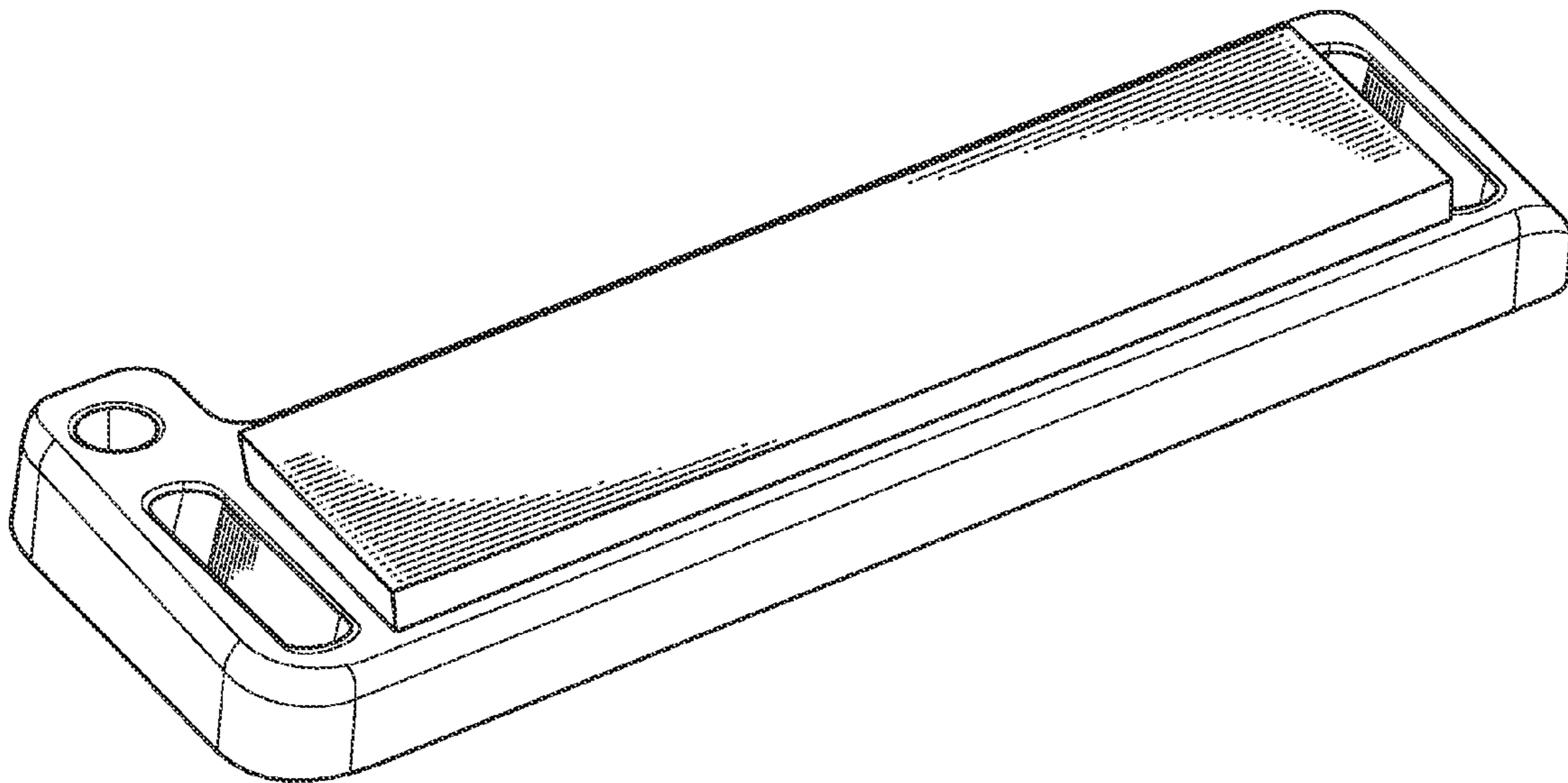
(57) **CLAIM**

The ornamental design for a capo device, as shown and described.

DESCRIPTION

FIG. 1 is a plan view of the capo device from below;
FIG. 2 is a side view of the capo device;
FIG. 3 is a perspective view from below of the capo device;
and,
FIG. 4 is a perspective view from above of the capo device.

1 Claim, 4 Drawing Sheets



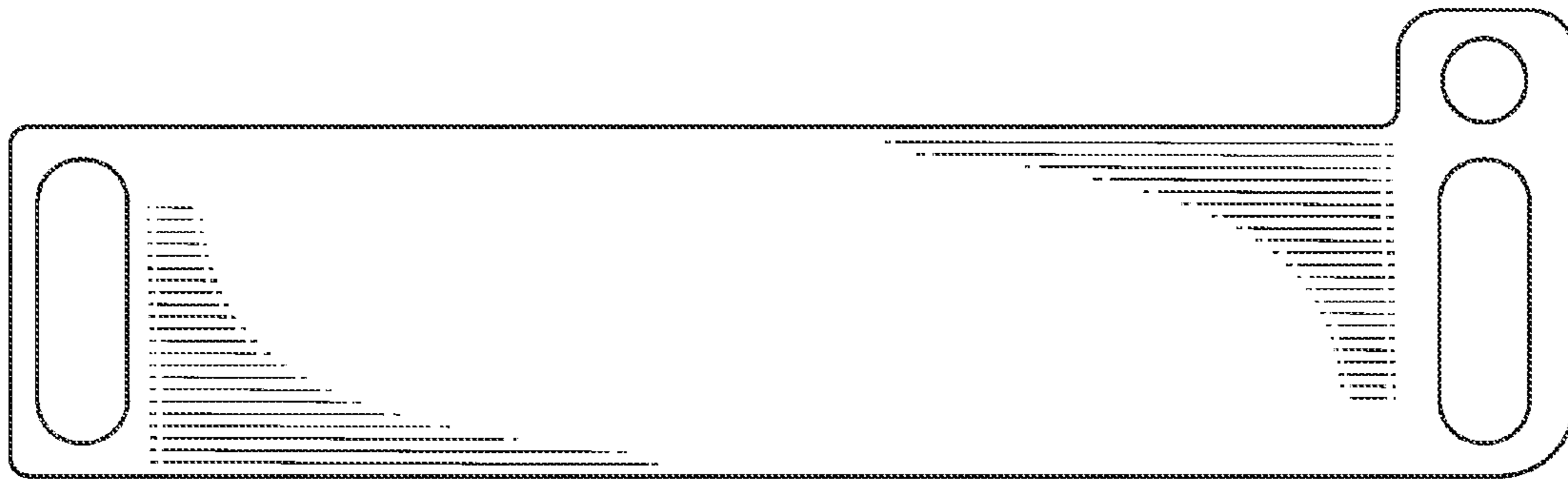


Fig. 1

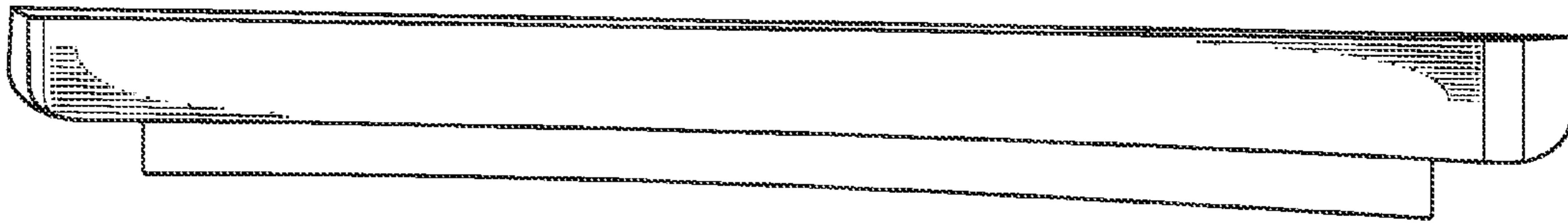


Fig. 2

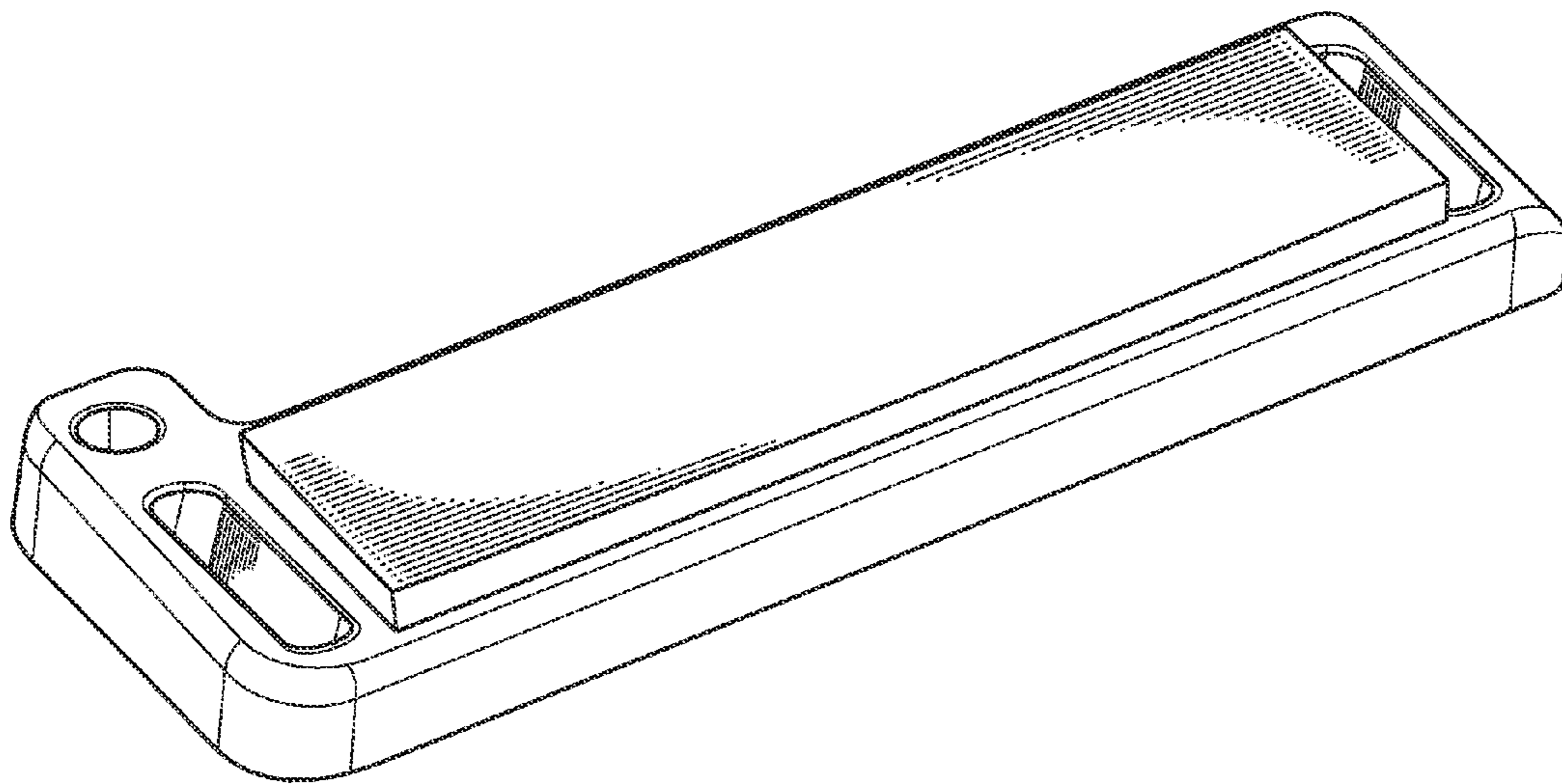


Fig. 3

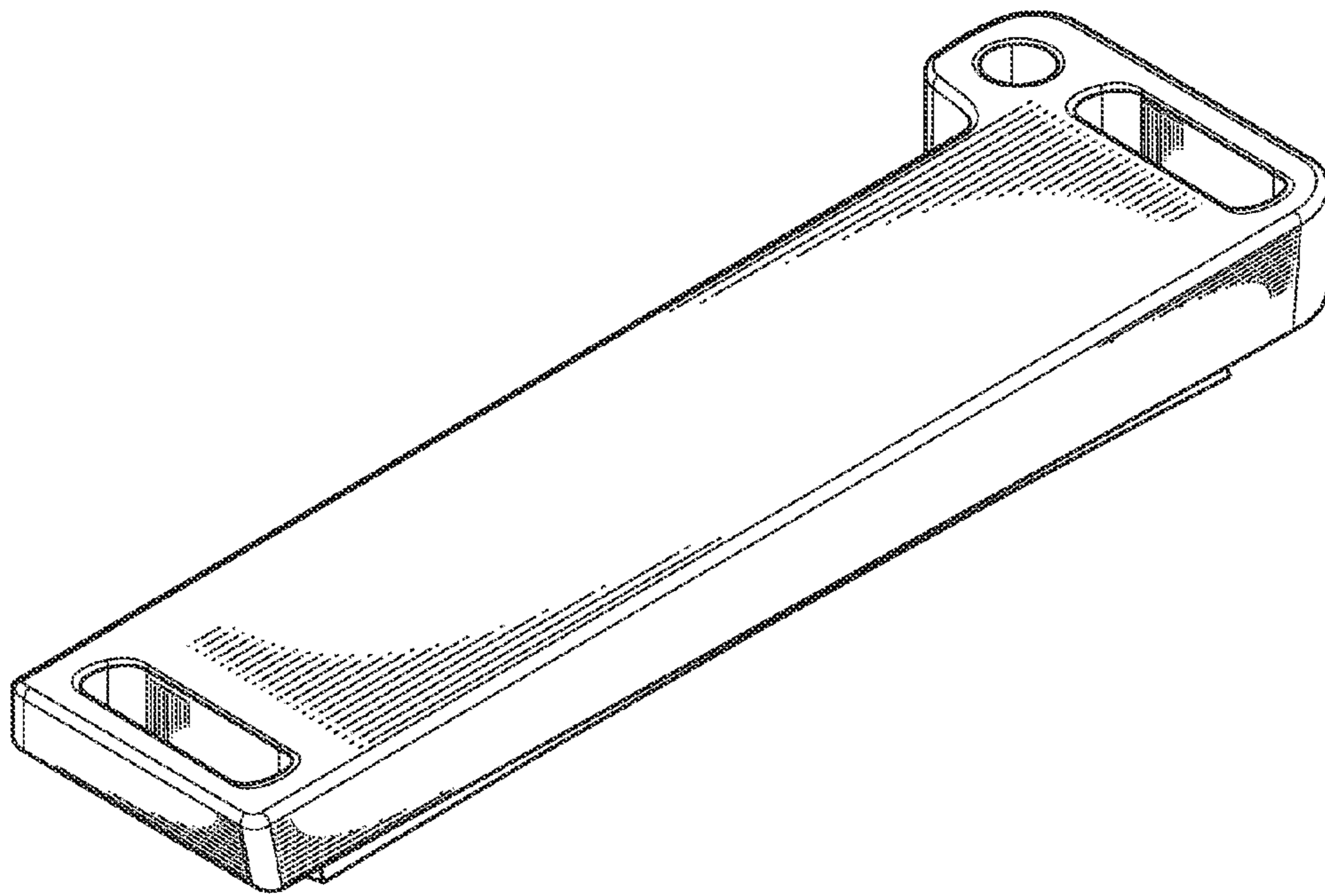


Fig. 4