



US00D678384S

(12) **United States Design Patent**
Hirose

(10) **Patent No.:** **US D678,384 S**
(45) **Date of Patent:** **** Mar. 19, 2013**

- (54) **3D SIGNAL EMITTER FOR PROJECTOR**
- (75) Inventor: **Ryuichirou Hirose**, Osaka (JP)
- (73) Assignee: **Panasonic Corporation**, Osaka (JP)
- (**) Term: **14 Years**
- (21) Appl. No.: **29/405,400**
- (22) Filed: **Nov. 2, 2011**
- (51) **LOC (9) Cl.** **16-02**
- (52) **U.S. Cl.** **D16/235**
- (58) **Field of Classification Search** D16/235,
D16/237, 245; 235/462.35, 462.42, 462.44;
345/6, 9; 353/29, 48-49, 75-77, 115, 119,
353/122; 348/46, E13.074; 359/223.1, 633;
250/208.1

See application file for complete search history.

(56) **References Cited**

U.S. PATENT DOCUMENTS

- 5,337,103 A * 8/1994 Gulick 353/119
- 6,626,543 B2 * 9/2003 Derryberry 353/119
- 7,952,059 B2 * 5/2011 Vitale et al. 250/208.1
- 2011/0242506 A1 * 10/2011 Uchiyama et al. 353/119

FOREIGN PATENT DOCUMENTS

- JP D1243796 6/2005

OTHER PUBLICATIONS

Mitsubishi Canada EY-3D-EMT1 3D Emitter for use with HC9000D Video Projector. 2010 [retrieved on Oct. 10, 2012]. Retrieved from

the Internet: <URL: <http://www.hd.ca/mitsubishiprojectors/ey3demtl.php>>.*
Epson V12H484001 External 3D IR Emitter Infrared Emitter. [Retrieved on Oct. 10, 2012]. Retrieved from the Internet: <URL: <http://www.shopping.com/epson-epson-v12h484001-external-3d-ir-emitter/info>>.*

* cited by examiner

Primary Examiner — Wan Laymon

(74) *Attorney, Agent, or Firm* — Panasonic Patent Center

(57) **CLAIM**

I claim the ornamental design for a 3D signal emitter for projector, as shown and described.

DESCRIPTION

FIG. 1 is a front perspective view of a 3D signal emitter for projector of the present invention;
FIG. 2 is a front view thereof;
FIG. 3 is a rear view thereof;
FIG. 4 is a first side view thereof;
FIG. 5 is a second side view thereof;
FIG. 6 is a top view thereof; and,
FIG. 7 is a bottom view thereof.

Portions of the 3D signal emitter for projector shown in broken lines form no part of the claimed design and are included for the purpose of illustrating the environment. Additionally, the unevenly broken lines in the drawings define the limits of the claimed design.

1 Claim, 7 Drawing Sheets

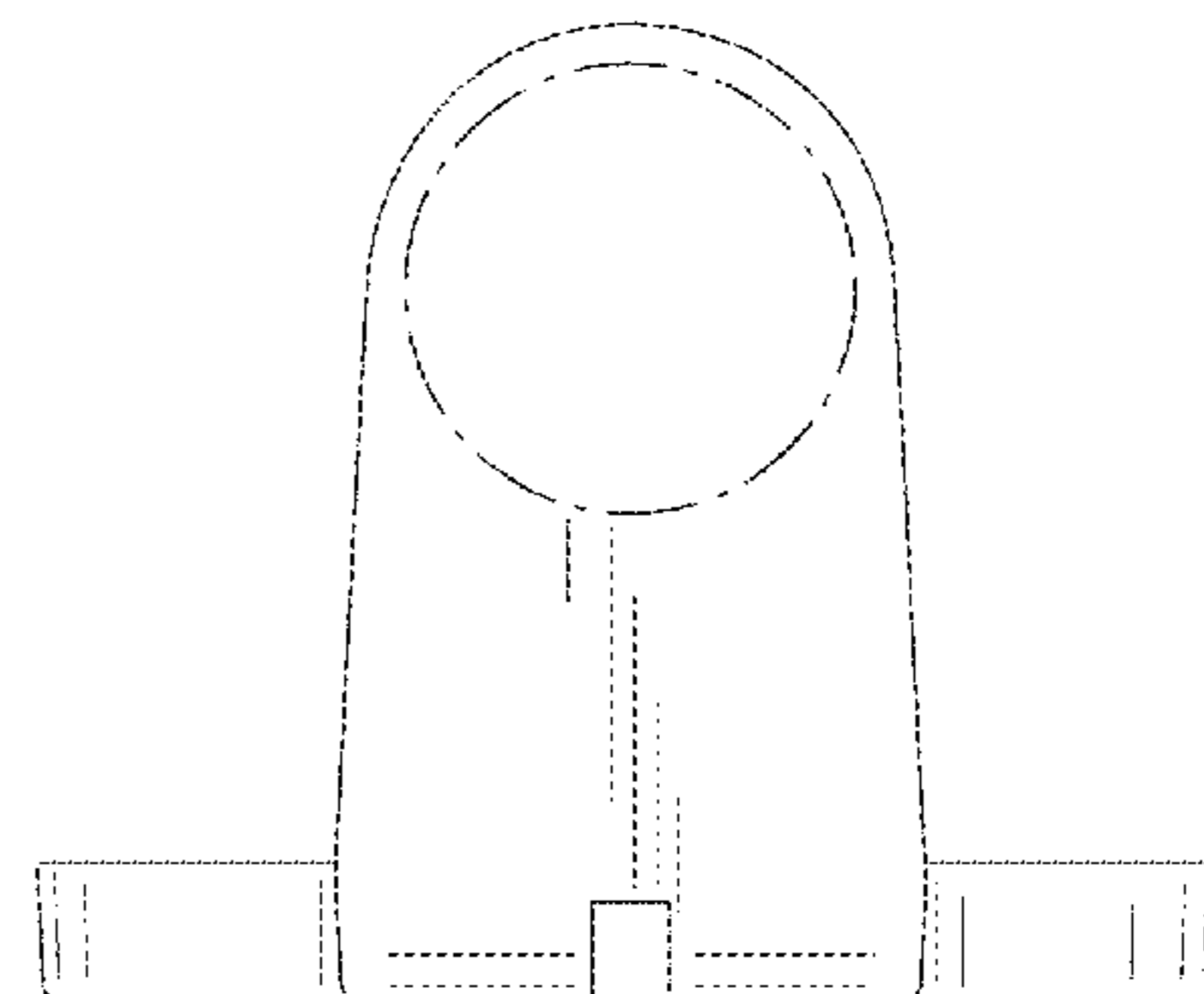
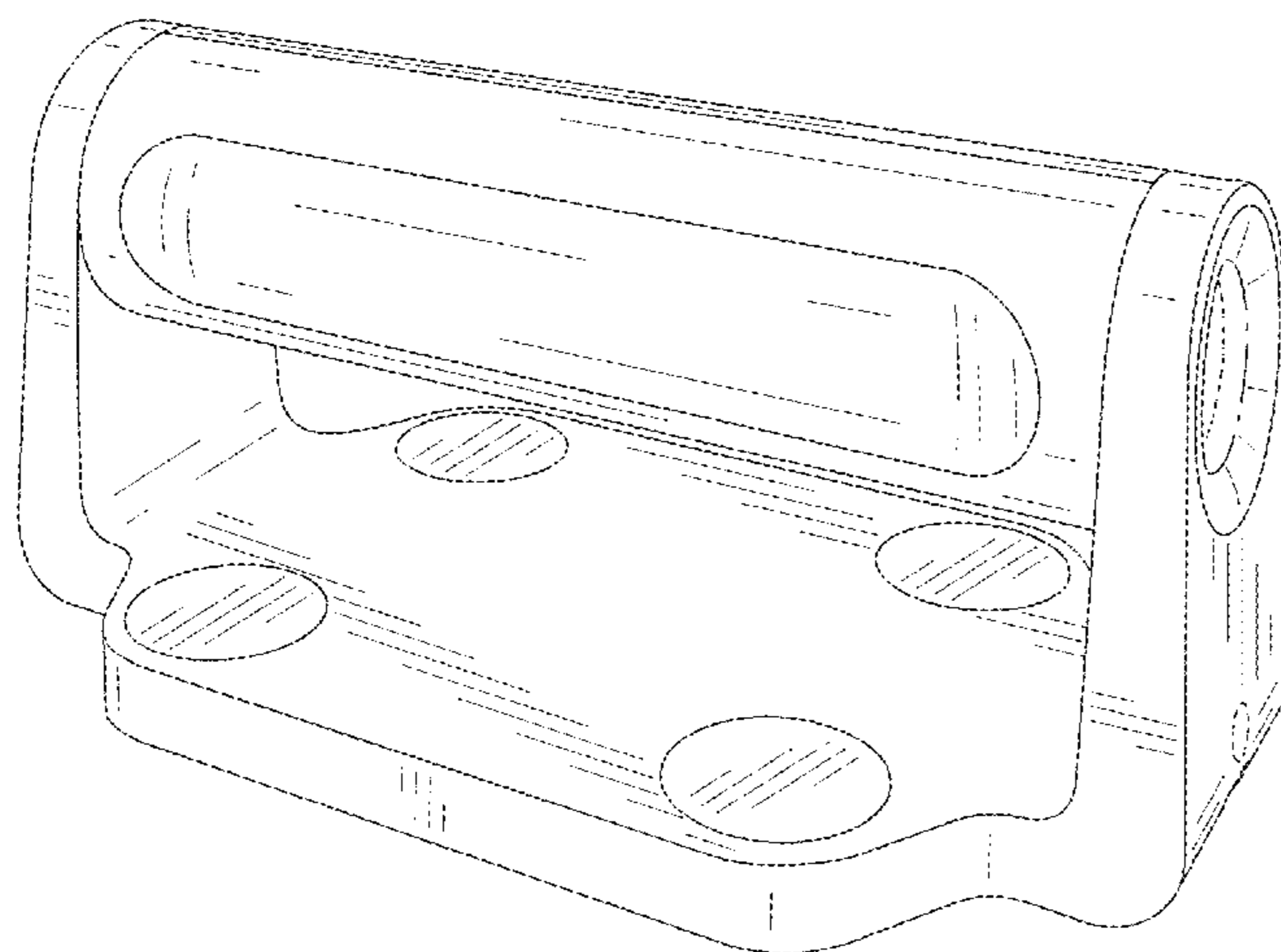


FIG. 1

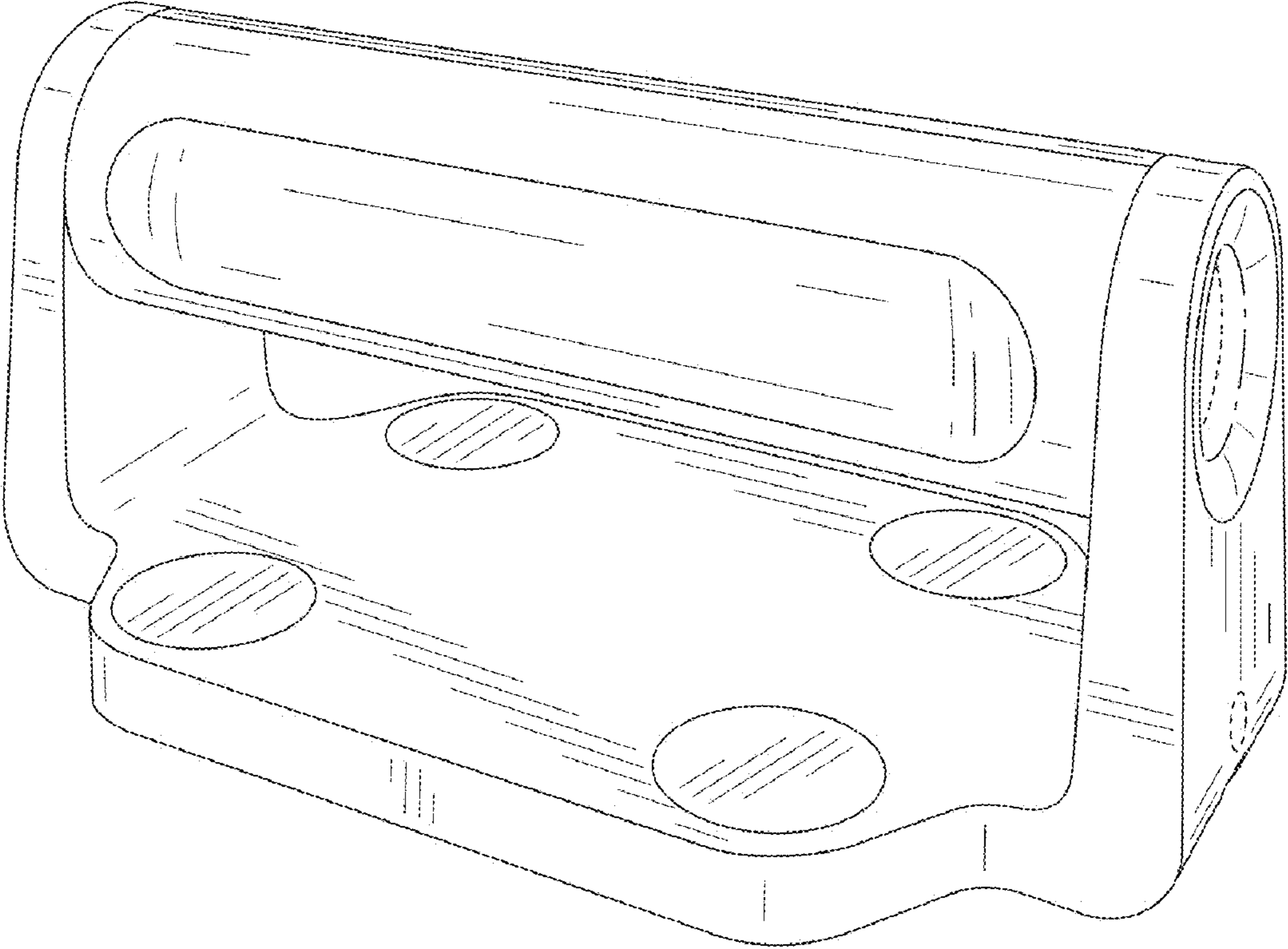


FIG. 2

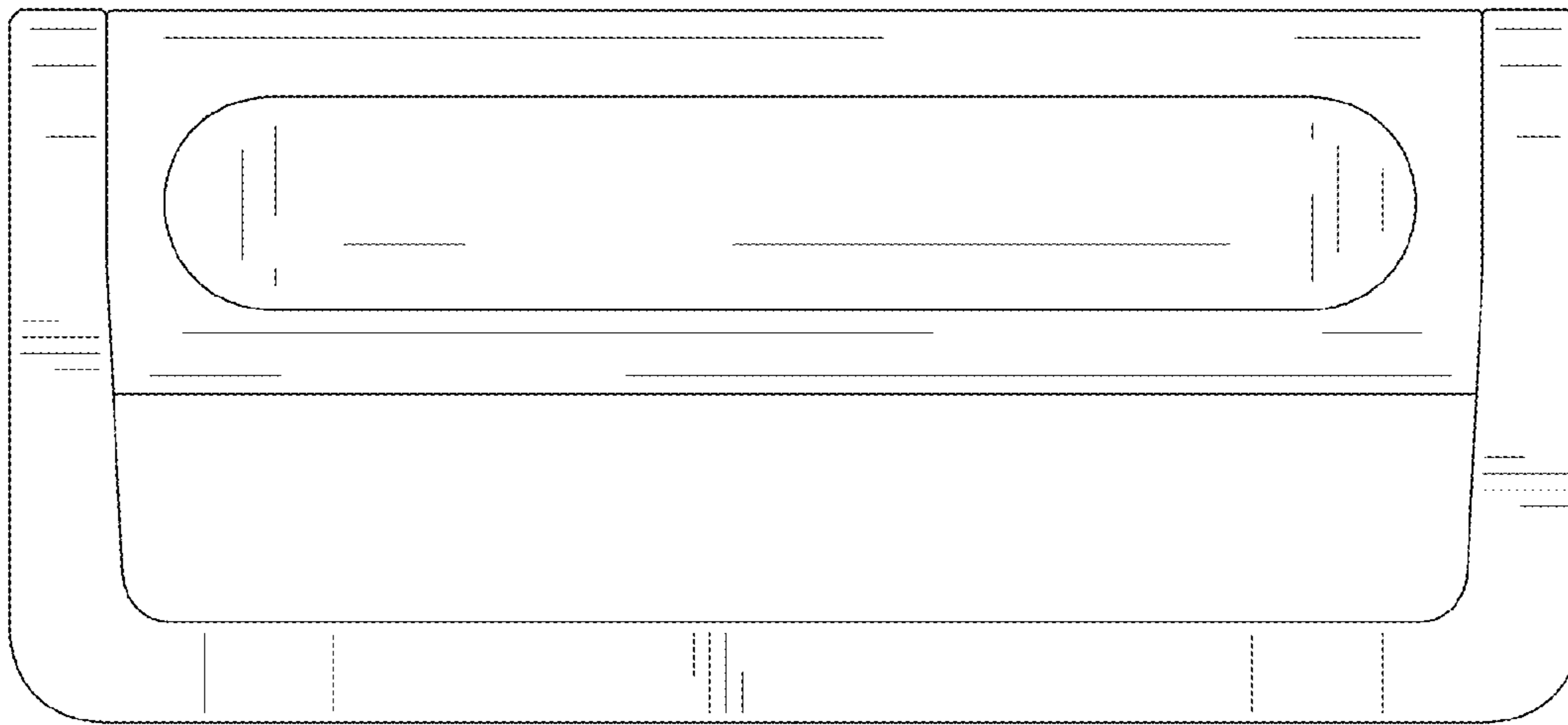


FIG. 3

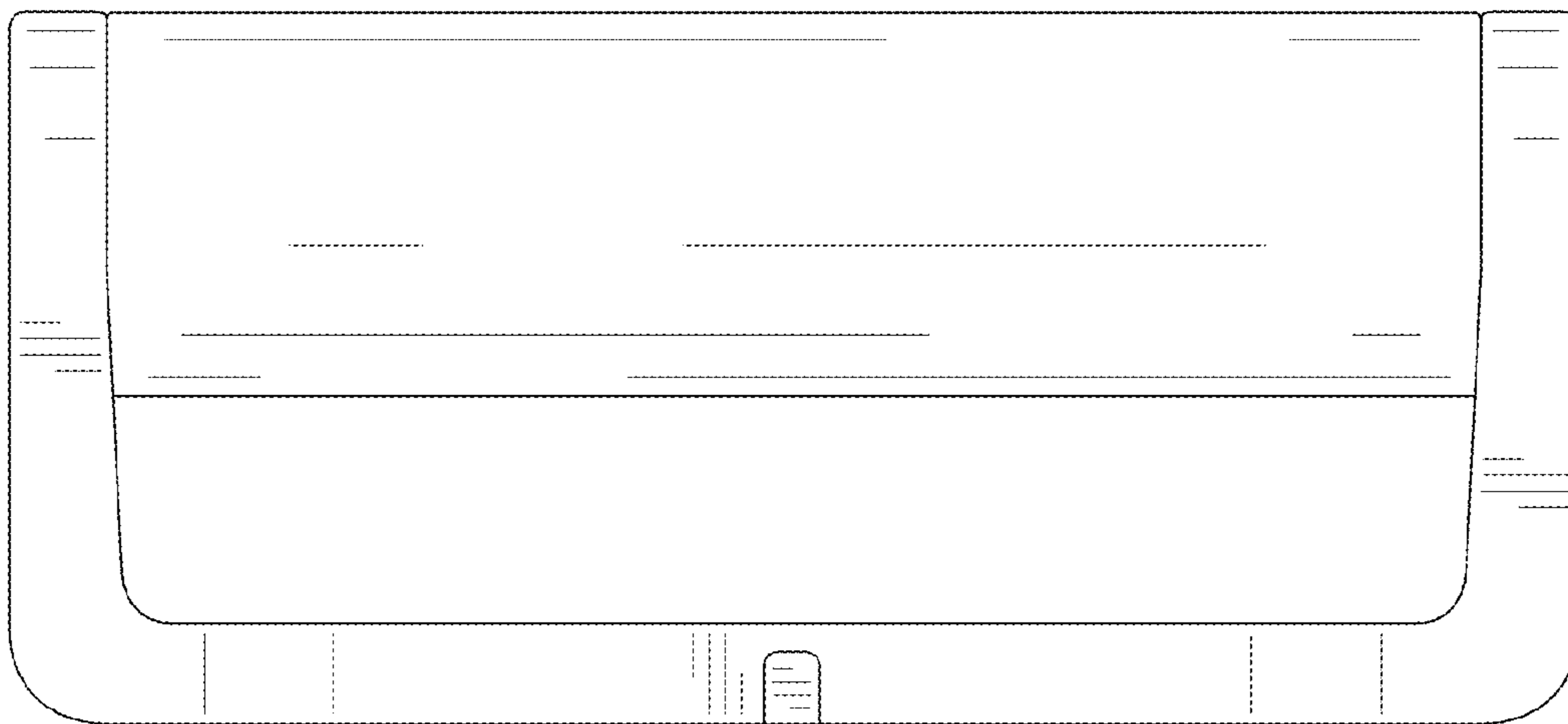


FIG. 4

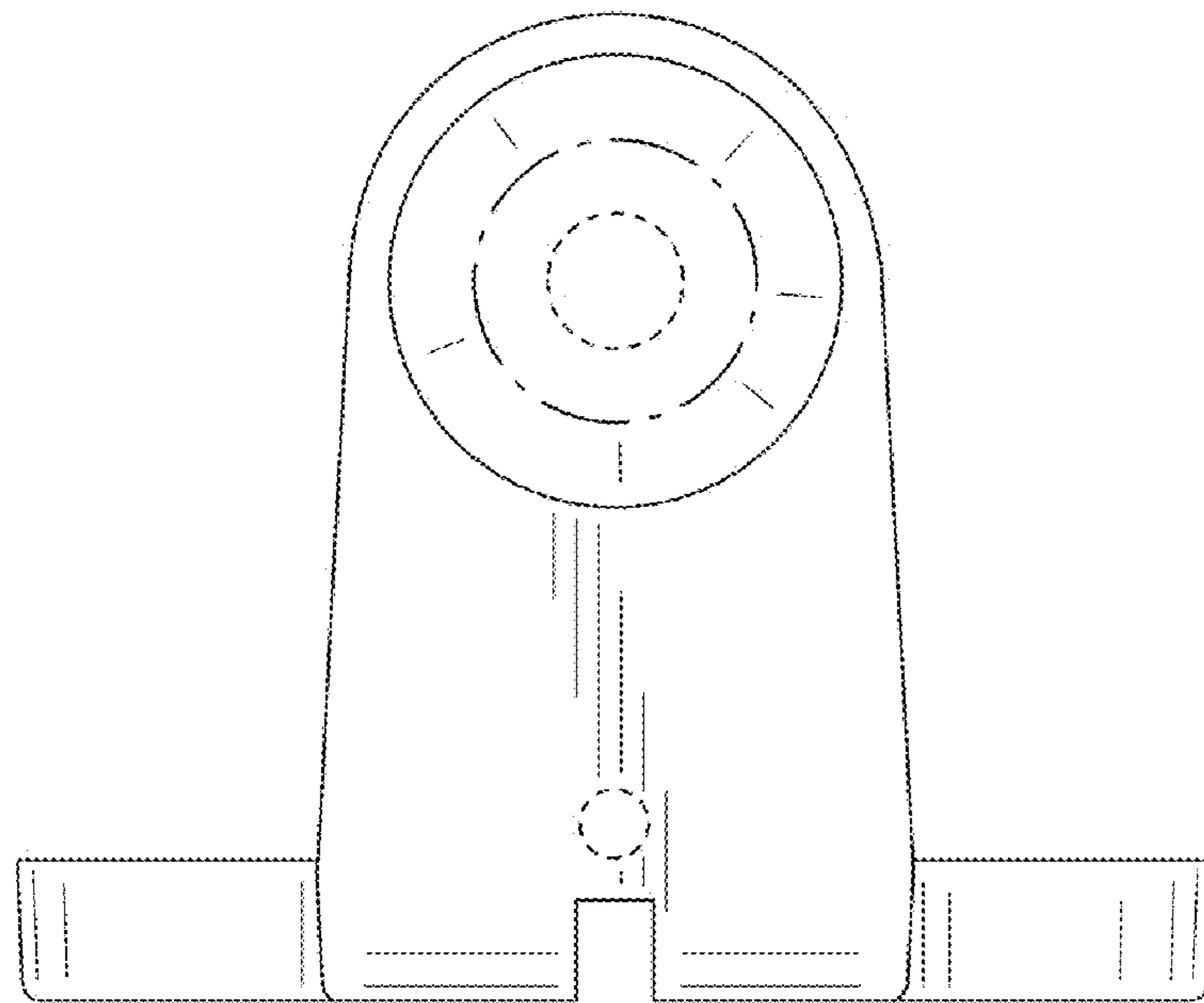


FIG. 5

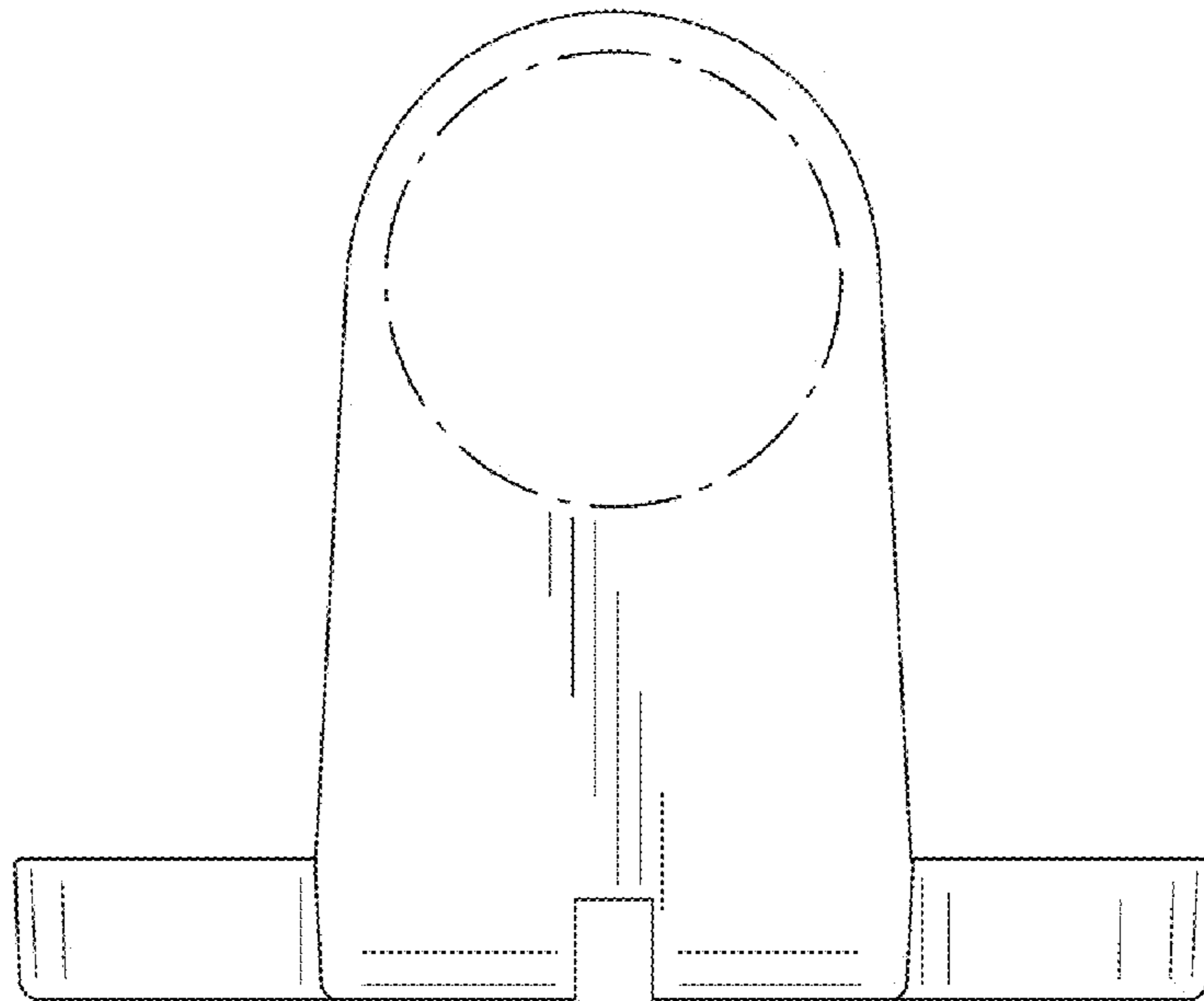


FIG. 6

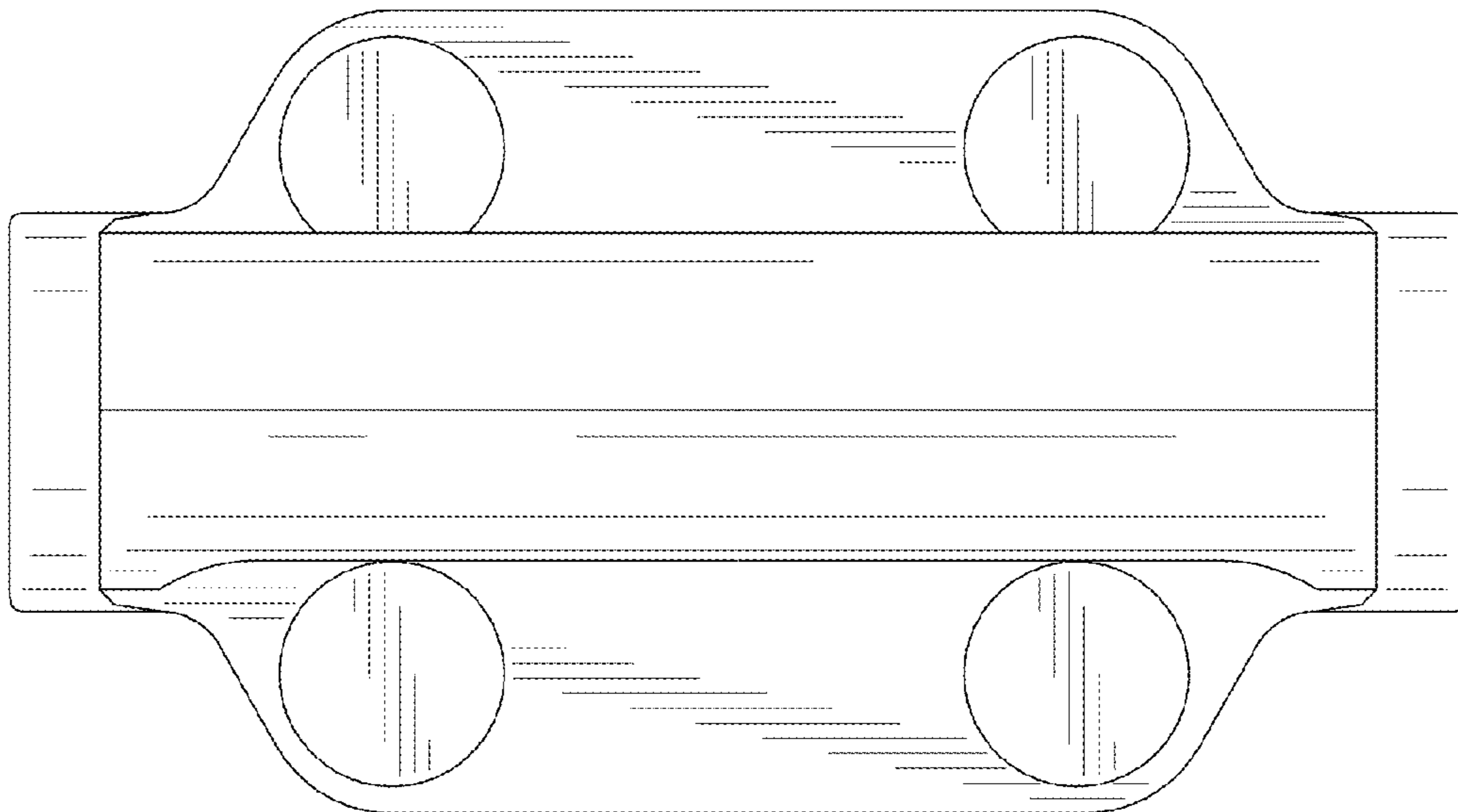


FIG. 7

