



US00D678383S

(12) **United States Design Patent**  
**Park et al.**

(10) **Patent No.:** **US D678,383 S**  
(45) **Date of Patent:** **\*\* Mar. 19, 2013**

(54) **VISUAL PRESENTER**

(75) Inventors: **Ho-Jin Park**, Changwon (KR); **Joo-Bok Kim**, Changwon (KR)

(73) Assignee: **Samsung Techwin Co., Ltd.**, Changwon (KR)

(\*\*) Term: **14 Years**

(21) Appl. No.: **29/416,987**

(22) Filed: **Mar. 29, 2012**

(30) **Foreign Application Priority Data**

Nov. 29, 2011 (KR) ..... 30-2011-0050469

(51) **LOC (9) Cl.** ..... **16-02**

(52) **U.S. Cl.** ..... **D16/232**

(58) **Field of Classification Search** ..... D16/208,  
D16/221, 225, 229, 232, 235; D14/423;  
348/370, 373; 353/112, 119, 120, DIG. 4;  
396/428, 430-431

See application file for complete search history.

(56) **References Cited**

**U.S. PATENT DOCUMENTS**

D150,317 S \* 7/1948 Roysher ..... D16/232  
D397,709 S \* 9/1998 Park et al. .... D16/232

D425,098 S \* 5/2000 Oh ..... D16/232  
6,317,155 B1 \* 11/2001 Ohyama ..... 348/373  
D495,355 S \* 8/2004 Mudd et al. .... D16/232  
D580,962 S \* 11/2008 Sukenari et al. .... D16/232  
D612,851 S \* 3/2010 Maruyama et al. .... D14/423  
7,710,497 B2 \* 5/2010 Sukenari et al. .... 348/373  
8,269,874 B2 \* 9/2012 Ichieda ..... 348/373

\* cited by examiner

*Primary Examiner* — Wan Laymon

(74) *Attorney, Agent, or Firm* — Sughrue Mion, PLLC

(57) **CLAIM**

The ornamental design for a visual presenter, as shown and described.

**DESCRIPTION**

FIG. 1 is a perspective view of a visual presenter showing my new design;  
FIG. 2 is a front elevational view of the visual presenter;  
FIG. 3 is a rear elevational view of the visual presenter;  
FIG. 4 is a left side view of the visual presenter;  
FIG. 5 is a right side view of the visual presenter;  
FIG. 6 is a top view of the visual presenter;  
FIG. 7 is a bottom view of the visual presenter; and,  
FIG. 8 is a reference view of the visual presenter.

**1 Claim, 8 Drawing Sheets**

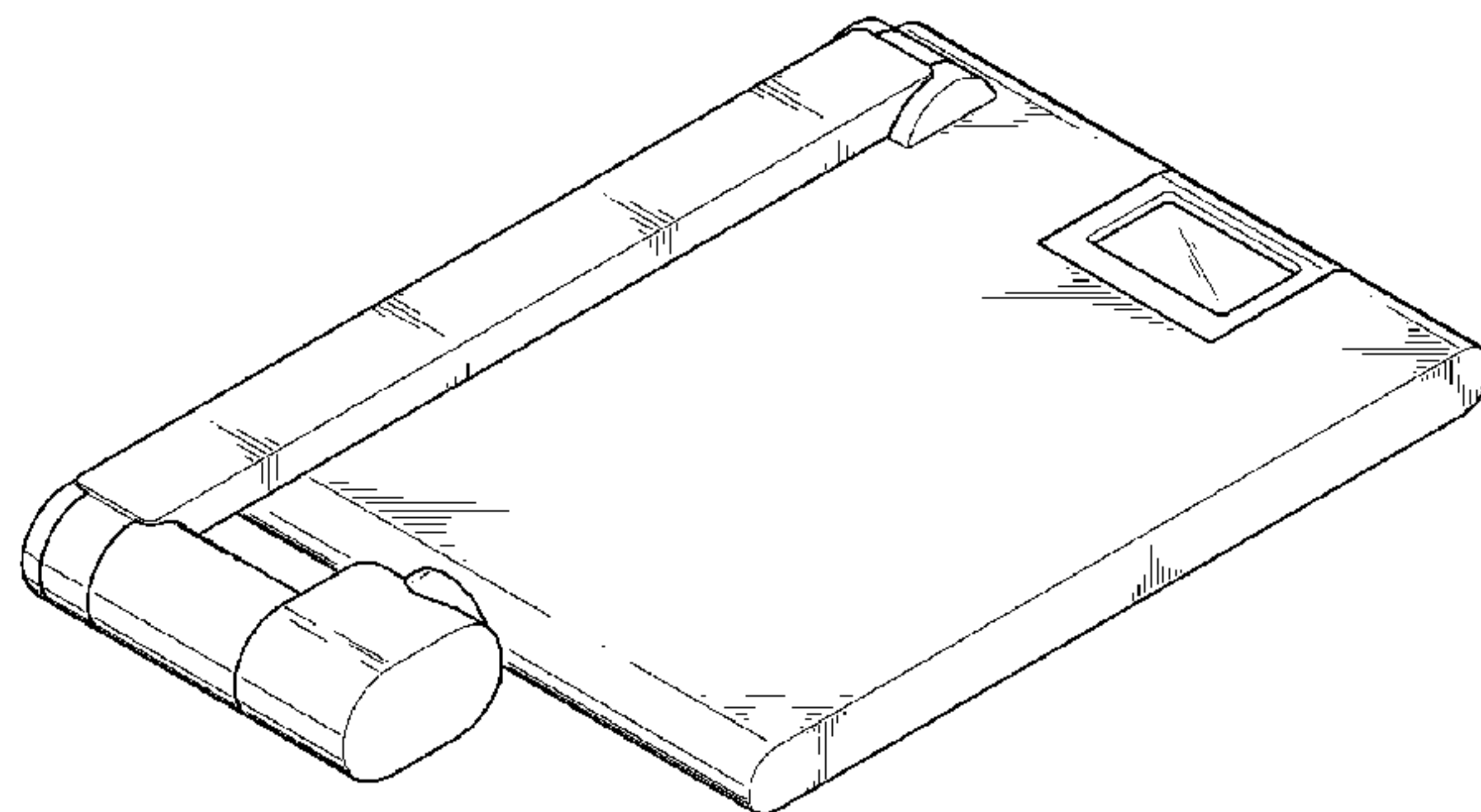
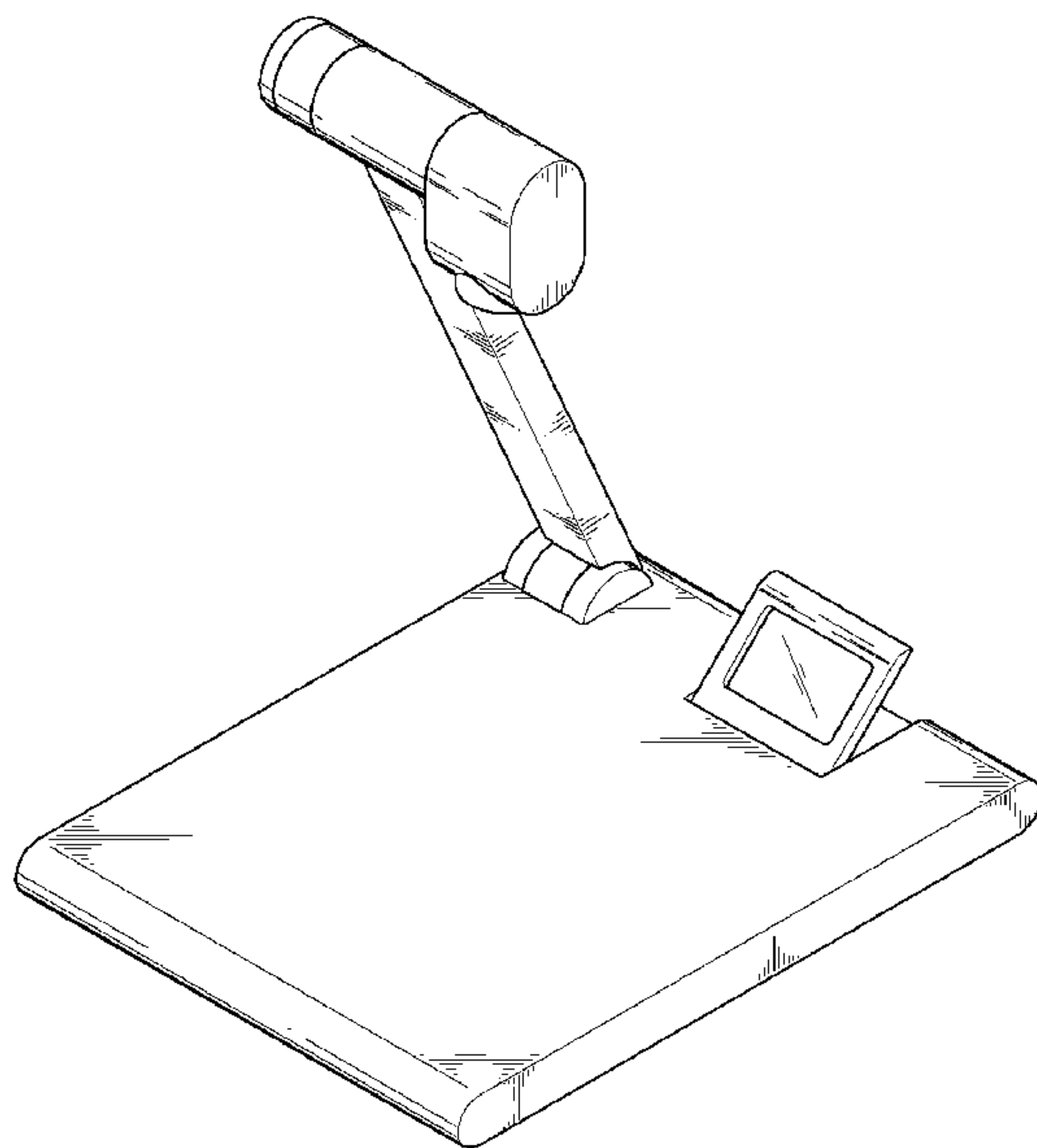


FIG. 1

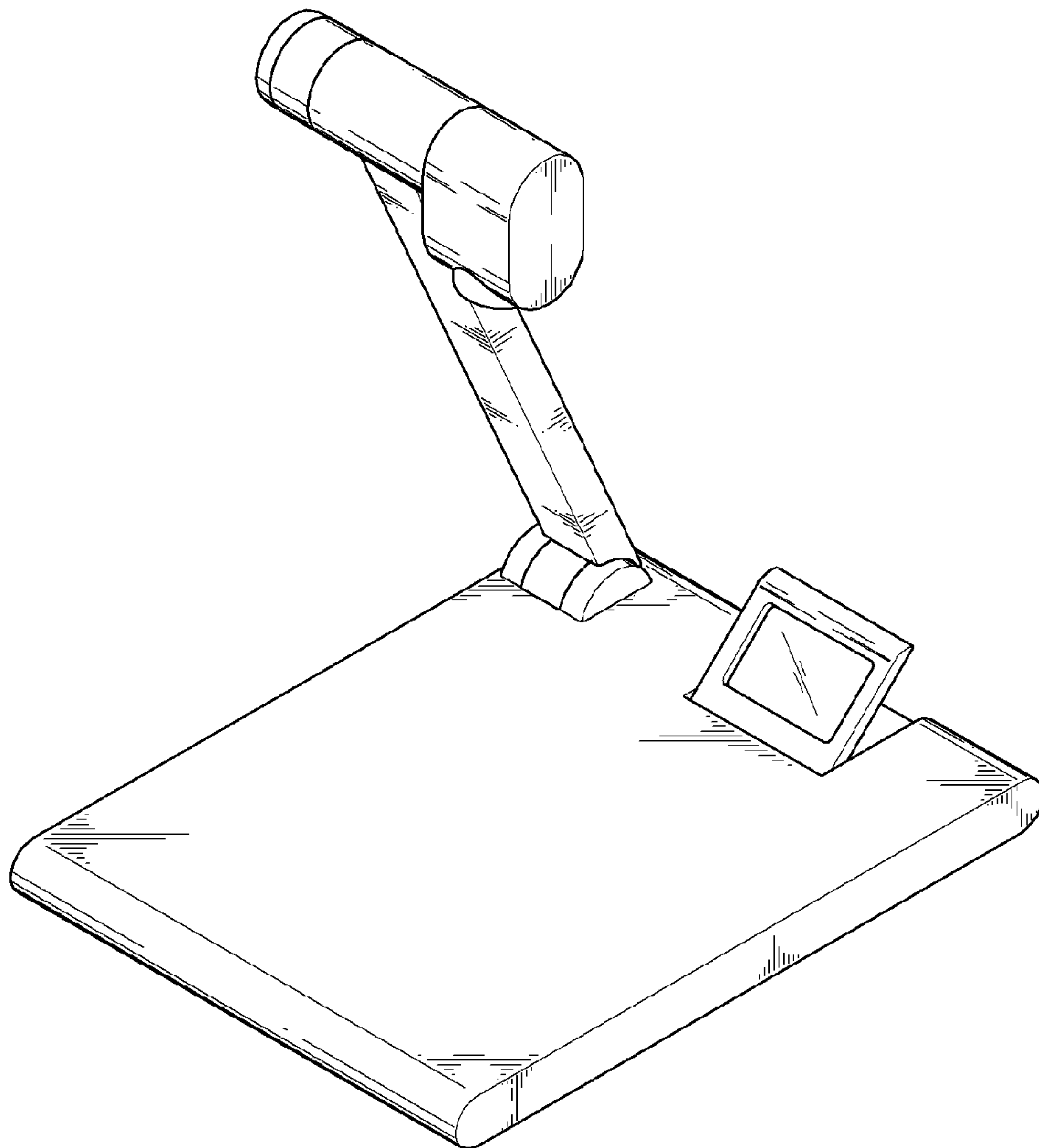


FIG. 2

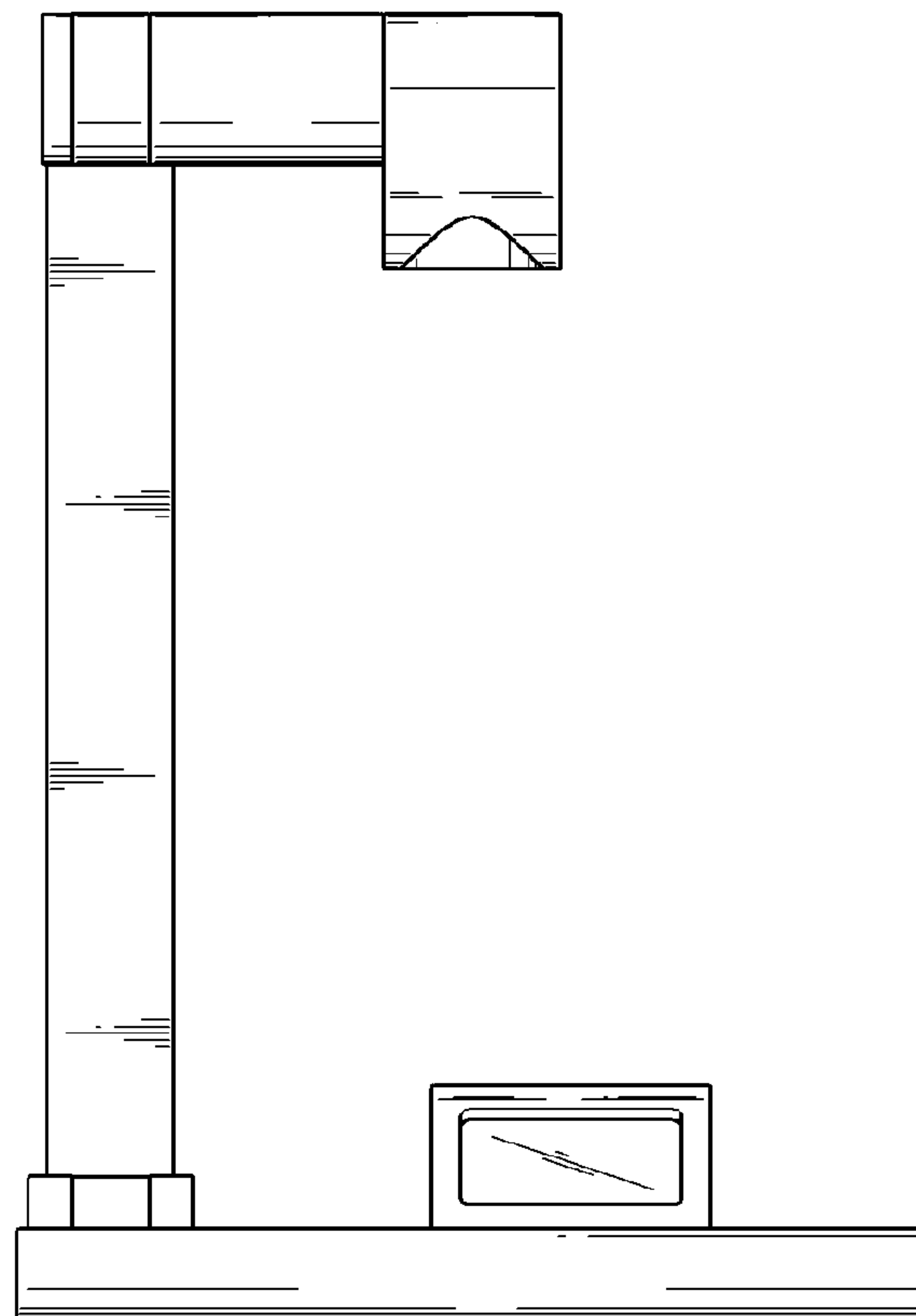


FIG. 3

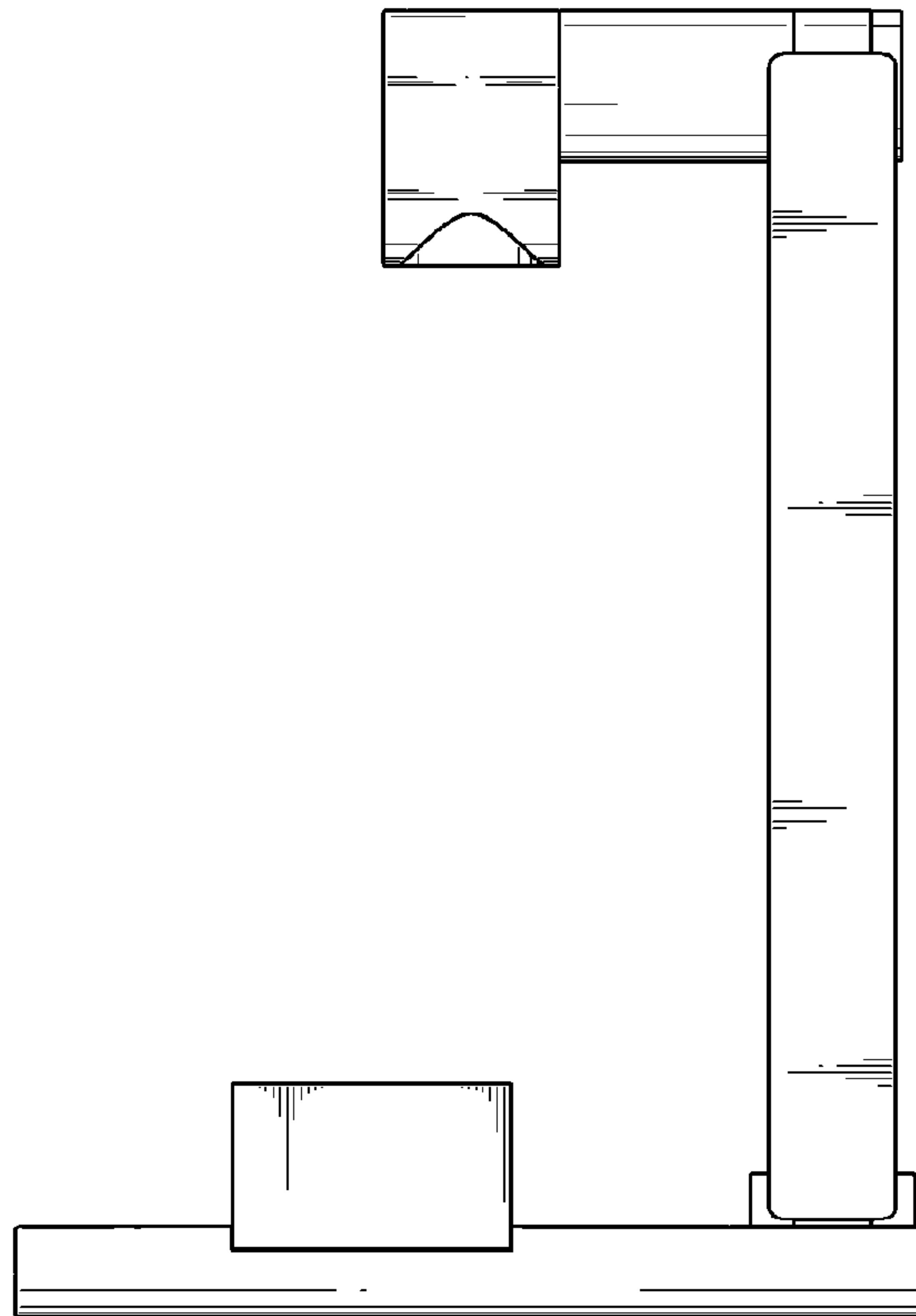


FIG. 4

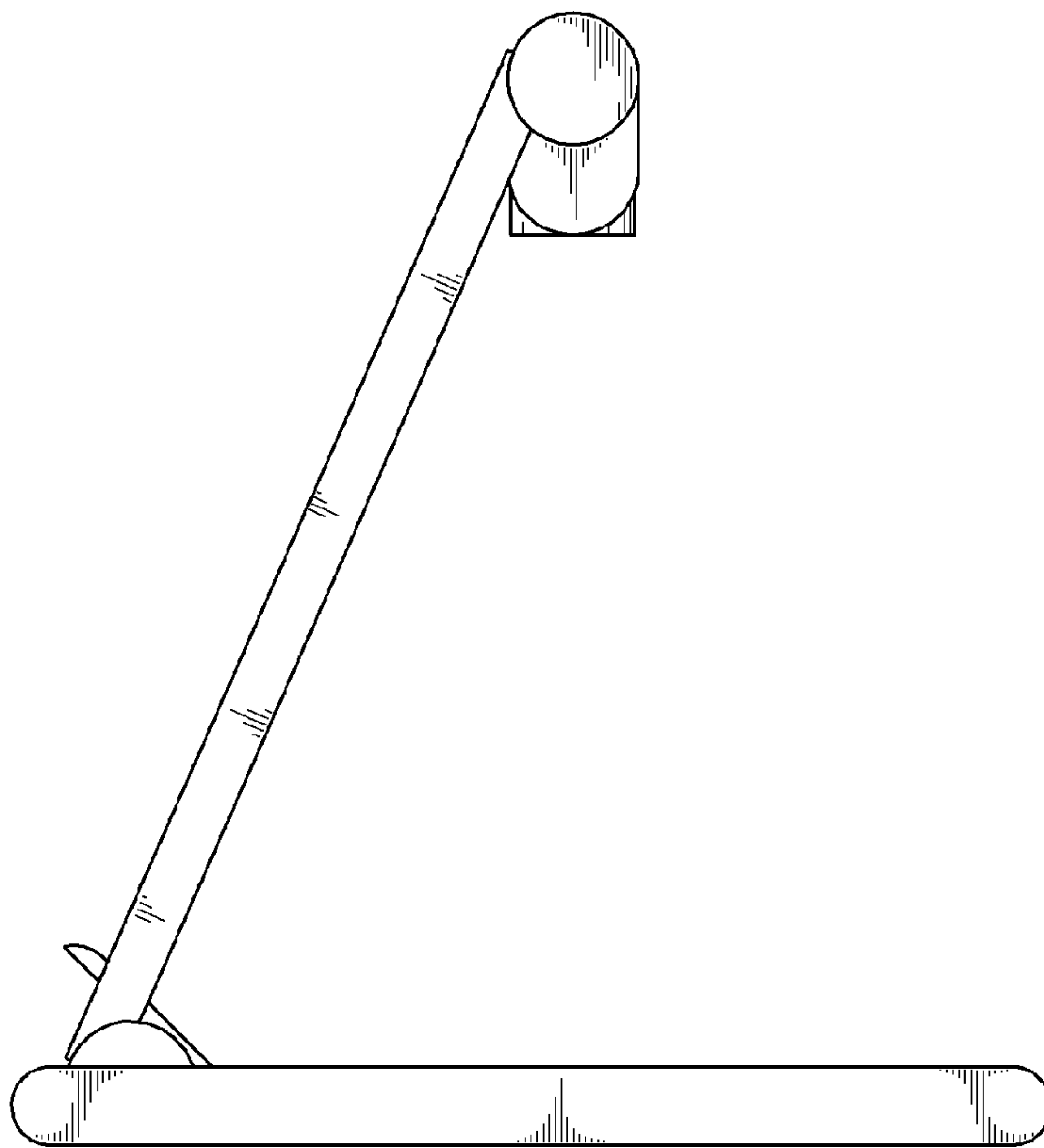


FIG. 5

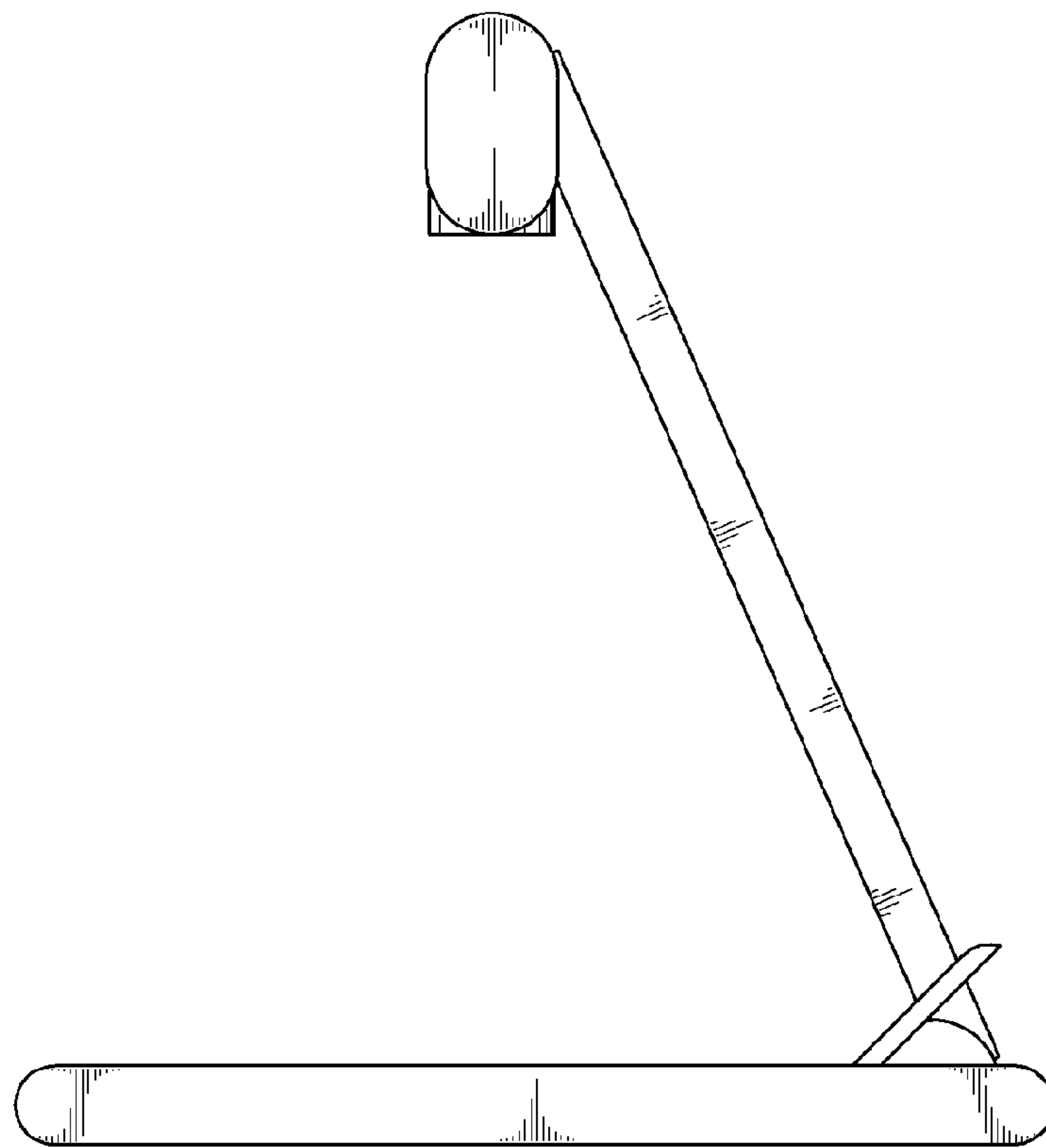


FIG. 6

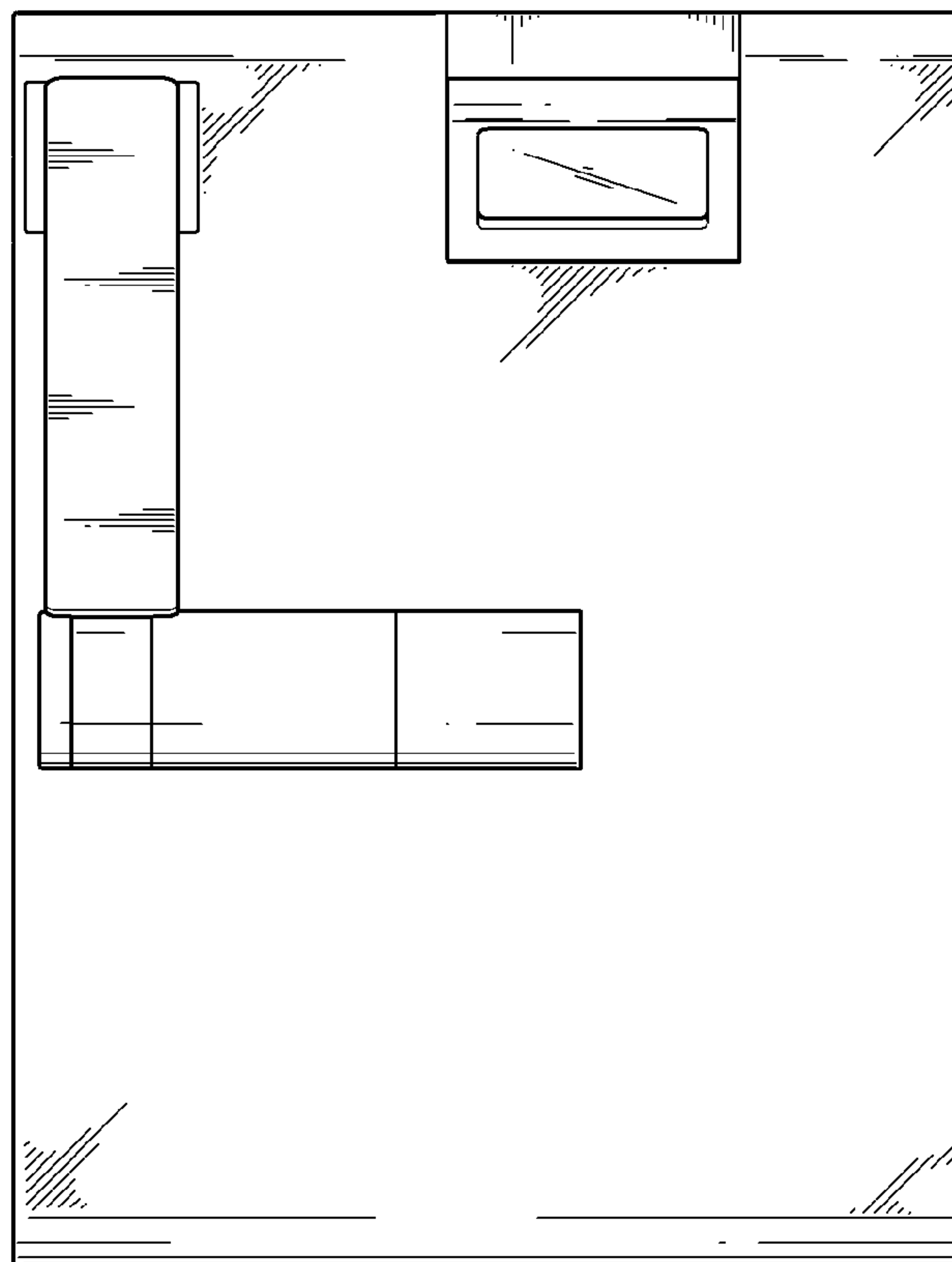


FIG. 7

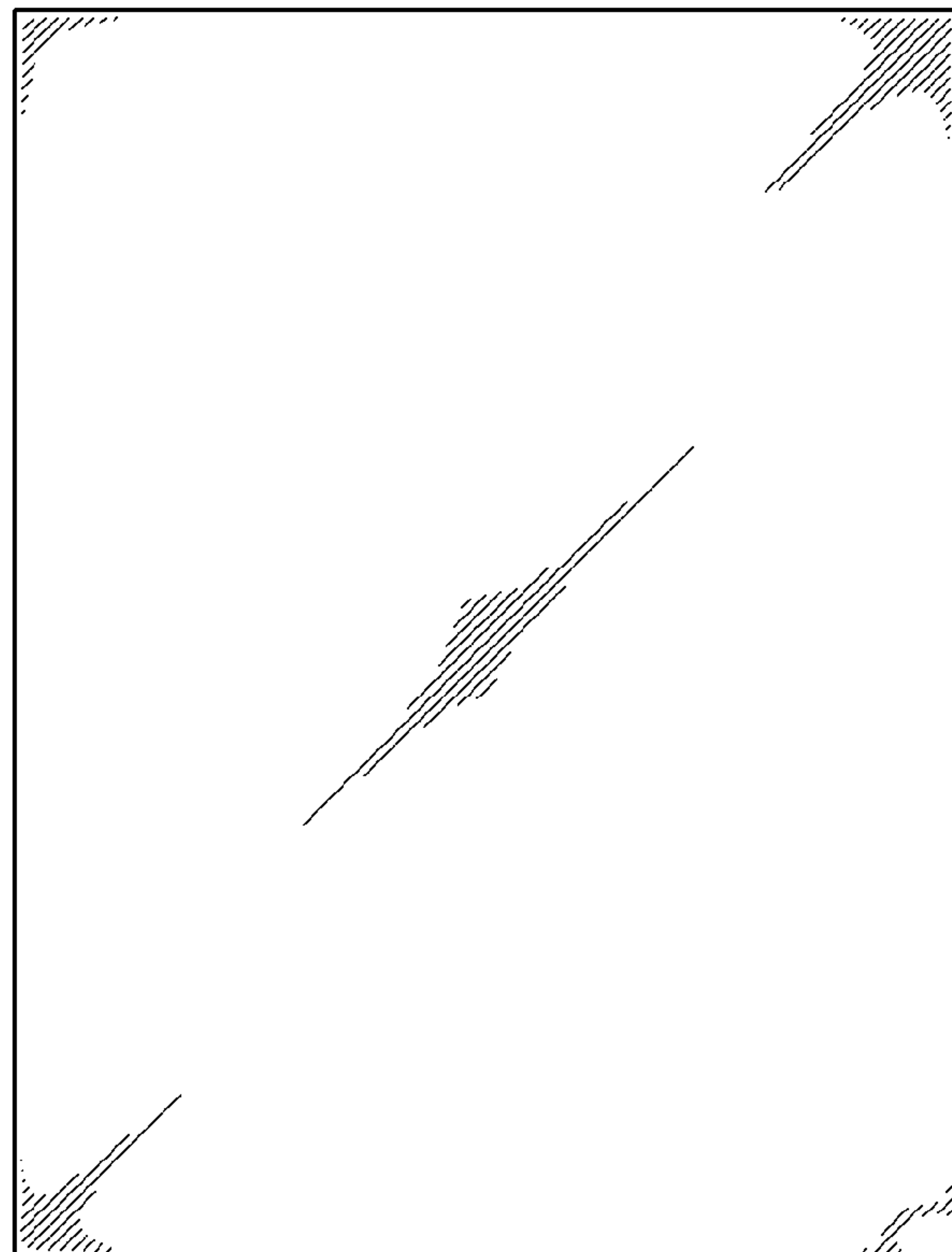




FIG. 8

