



US00D678382S

(12) **United States Design Patent**  
**Ishibashi et al.**

(10) **Patent No.:** **US D678,382 S**

(45) **Date of Patent:** **\*\* Mar. 19, 2013**

(54) **PROJECTOR**

(75) Inventors: **Atsushi Ishibashi**, Tokorozawa (JP);  
**Yuta Kawaguchi**, Funabashi (JP);  
**Yoshihiro Iwama**, Kokubunji (JP);  
**Chohei Ono**, Kawasaki (JP); **Satoshi**  
**Nakayama**, Yokohama (JP); **Kazumasa**  
**Ueoka**, Yokohama (JP); **Kazuomi**  
**Kaneko**, Yokohama (JP)

(73) Assignee: **Hitachi Consumer Electronics Co.,**  
**Ltd.**, Tokyo (JP)

(\*\*) Term: **14 Years**

(21) Appl. No.: **29/412,897**

(22) Filed: **Feb. 9, 2012**

(30) **Foreign Application Priority Data**

Aug. 22, 2011 (JP) ..... 2011-018952

(51) **LOC (9) Cl.** ..... **16-02**

(52) **U.S. Cl.** ..... **D16/230**

(58) **Field of Classification Search** ..... D16/205,  
D16/208, 221, 222, 225, 228, 230-231, 234,  
D16/233; D21/514; 352/34, 242; 353/34,  
353/48, 89, 94, 115, 119, 122

See application file for complete search history.

(56) **References Cited**

U.S. PATENT DOCUMENTS

D162,644	S	*	3/1951	Graef	.....	D16/221
2,598,573	A	*	5/1952	Lutes	.....	353/30
D234,541	S	*	3/1975	Sobotta	.....	D16/233
D236,230	S	*	8/1975	Hartwein	.....	D16/221
4,416,520	A	*	11/1983	Kramer	.....	353/89
D420,376	S	*	2/2000	Iwabuchi et al.	.....	D16/231
D422,003	S	*	3/2000	Takizawa	.....	D16/231
D498,781	S	*	11/2004	Azuma et al.	.....	D16/230
D555,185	S	*	11/2007	Nozue et al.	.....	D16/230
D557,318	S	*	12/2007	Nishimura et al.	.....	D16/230
D588,619	S	*	3/2009	Kawabe et al.	.....	D16/230

\* cited by examiner

*Primary Examiner* — Wan Laymon

(74) *Attorney, Agent, or Firm* — Antonelli, Terry, Stout & Kraus, LLP.

(57) **CLAIM**

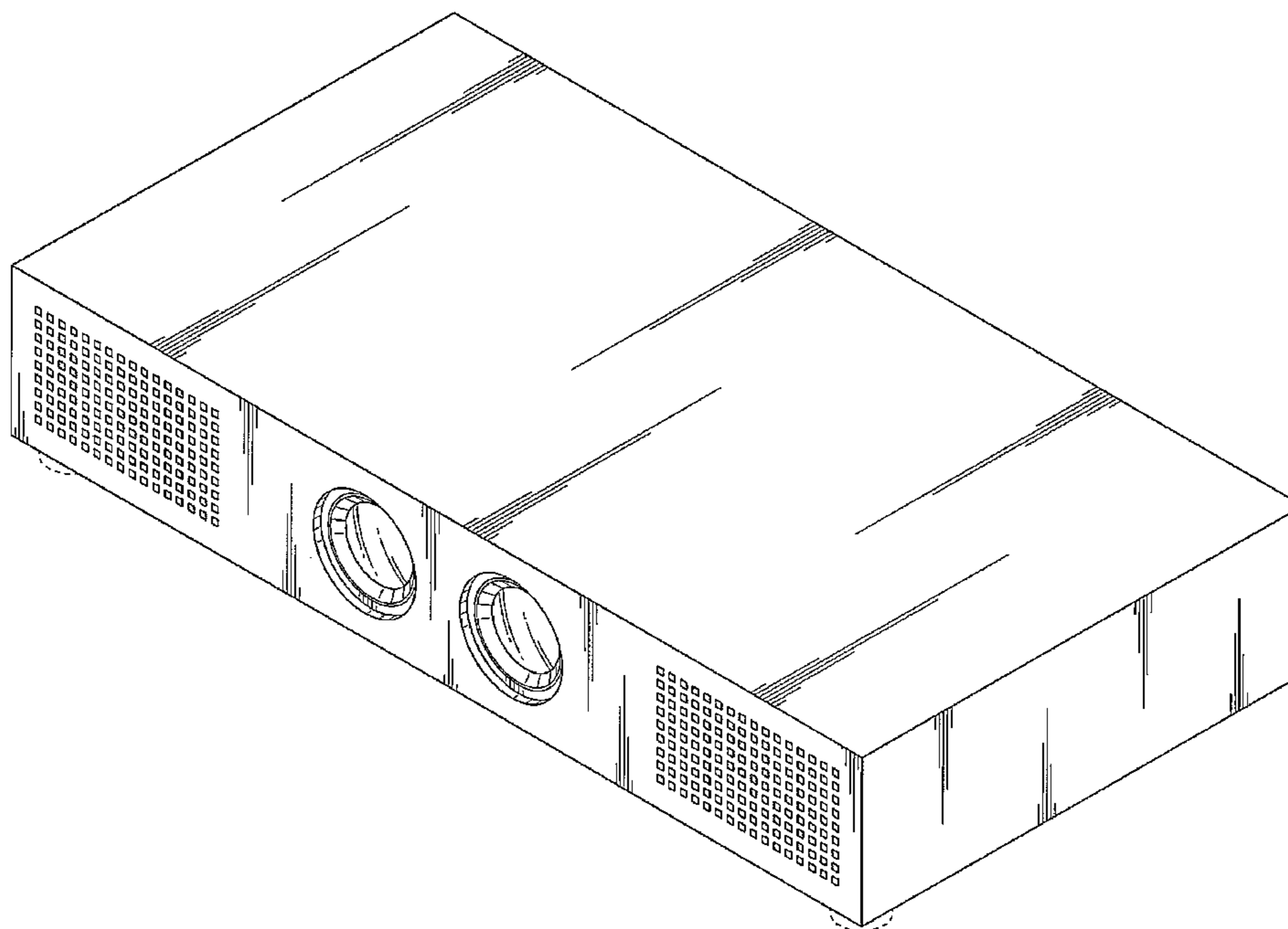
We claim the ornamental design for a projector, as shown and described.

**DESCRIPTION**

FIG. 1 is a front, top and right side perspective view of a projector showing our new design;  
FIG. 2 is a front elevational view thereof;  
FIG. 3 is a rear elevational view thereof;  
FIG. 4 is a left side elevational view thereof;  
FIG. 5 is a right side elevational view thereof;  
FIG. 6 is a top plan view thereof; and,  
FIG. 7 is a bottom plan view thereof.

The broken lines shown in the figures represent portions of the projector that form no part of the claimed design.

**1 Claim, 5 Drawing Sheets**



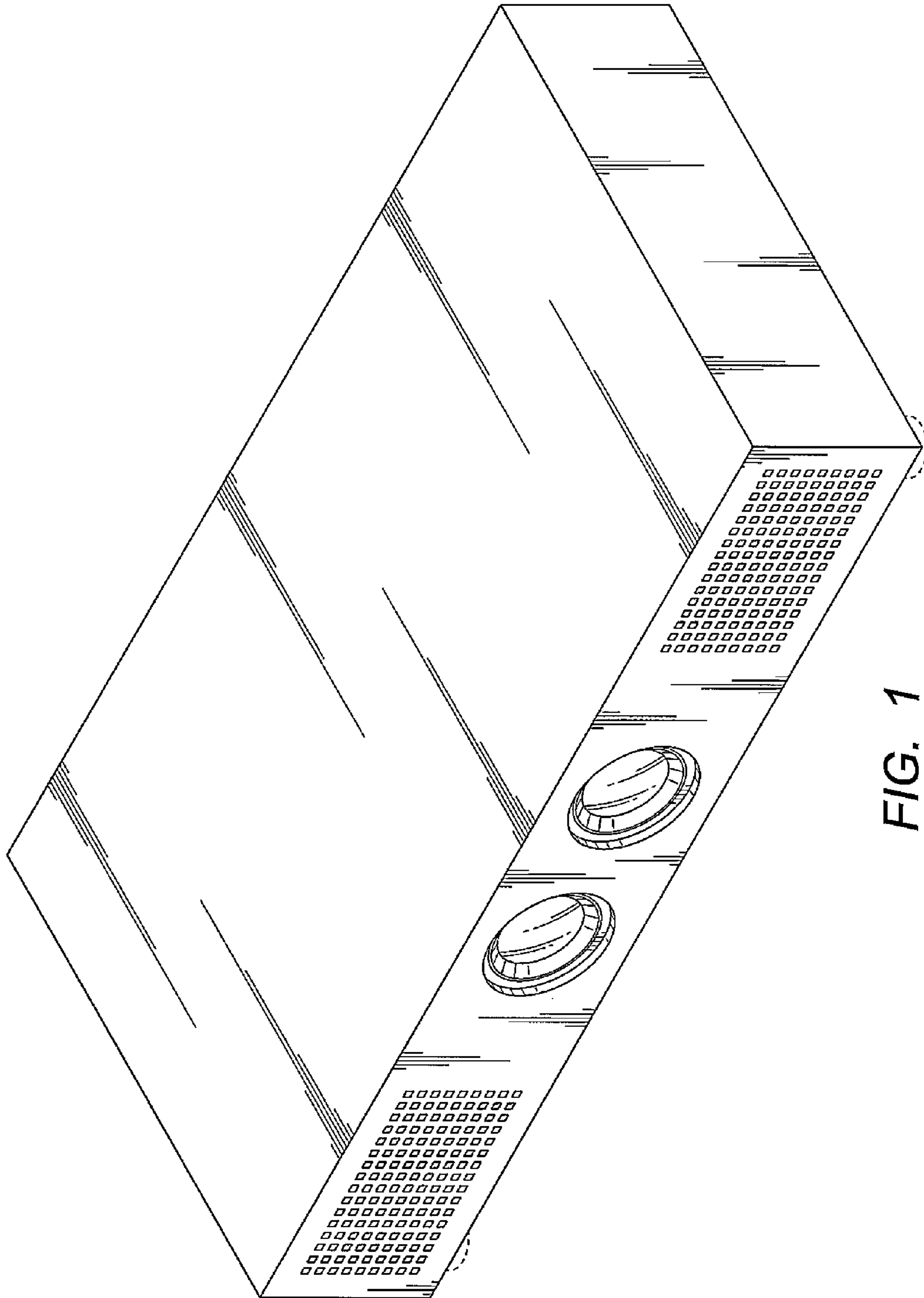


FIG. 1

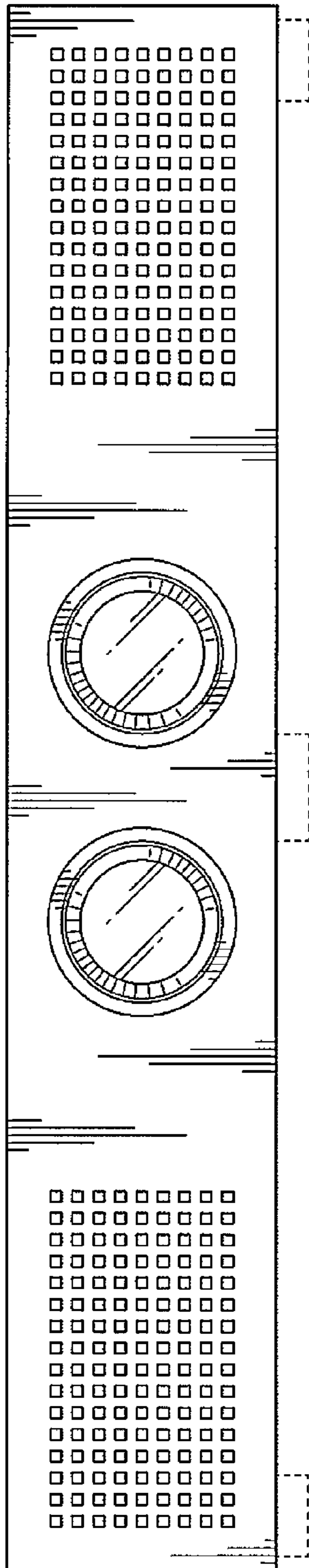


FIG. 2

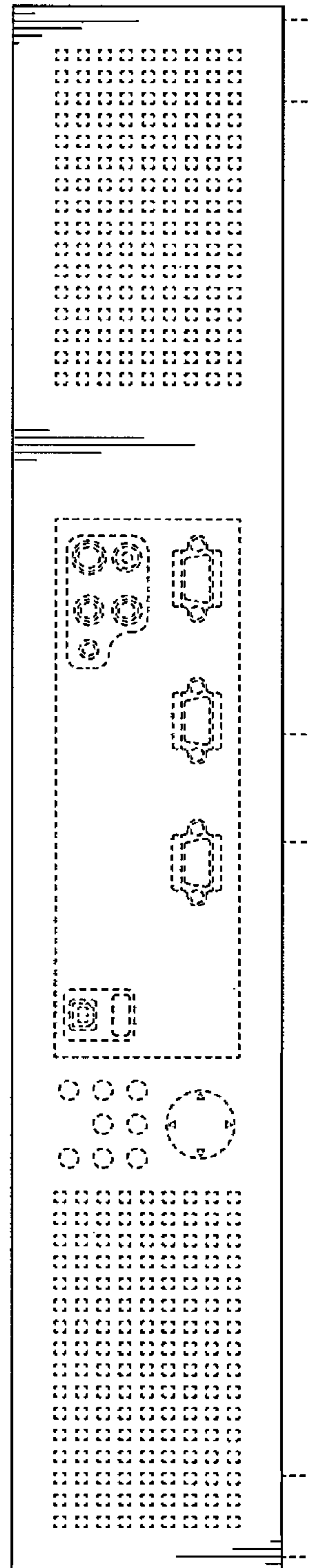


FIG. 3

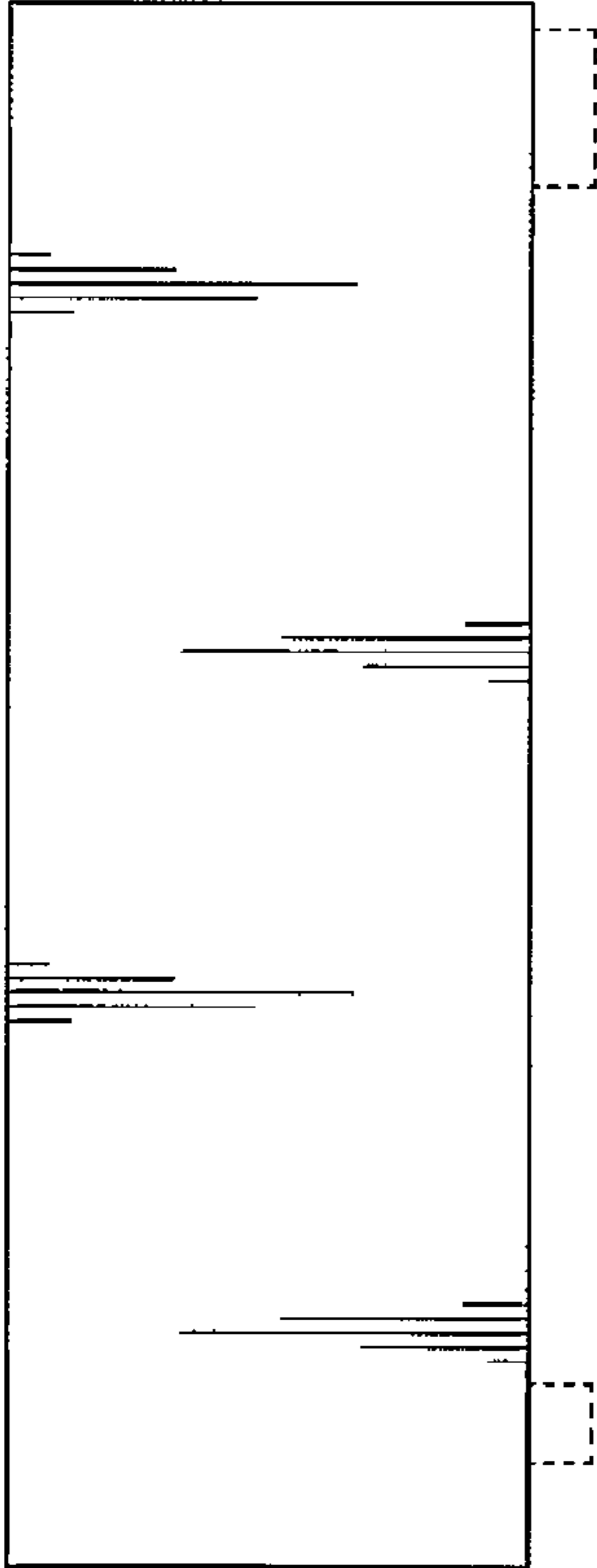


FIG. 4

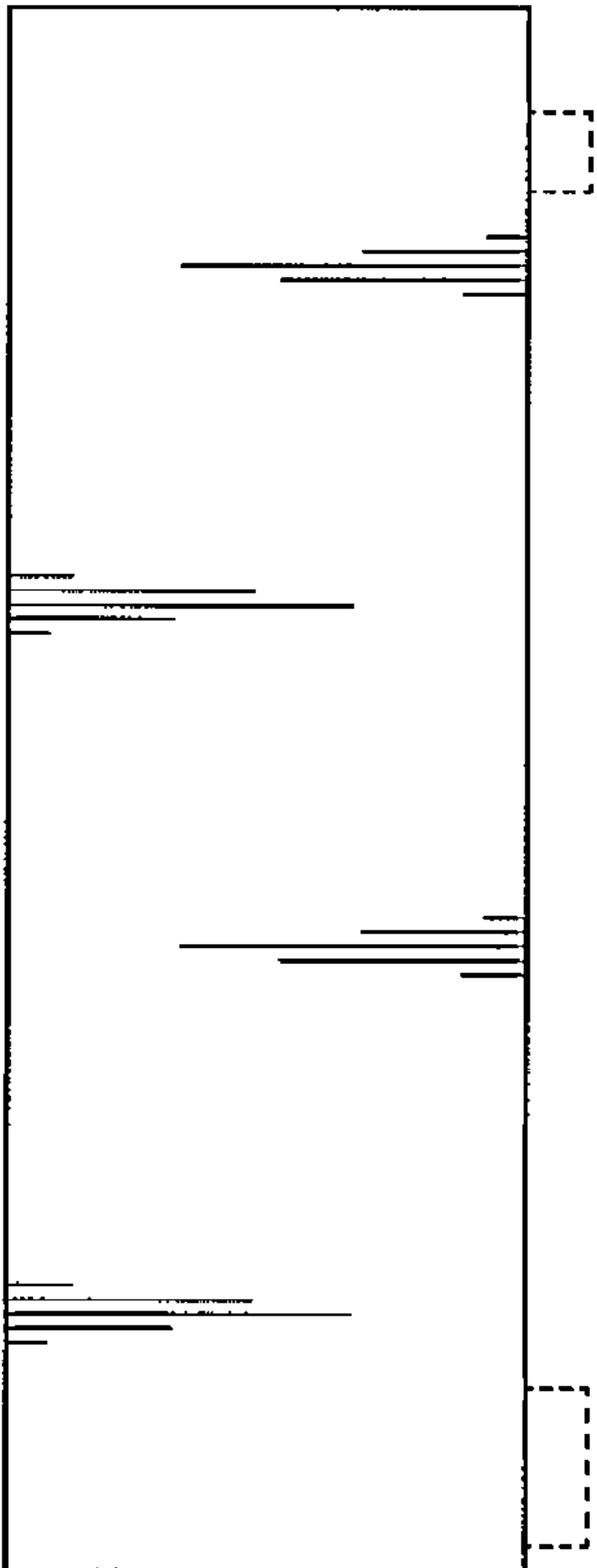


FIG. 5

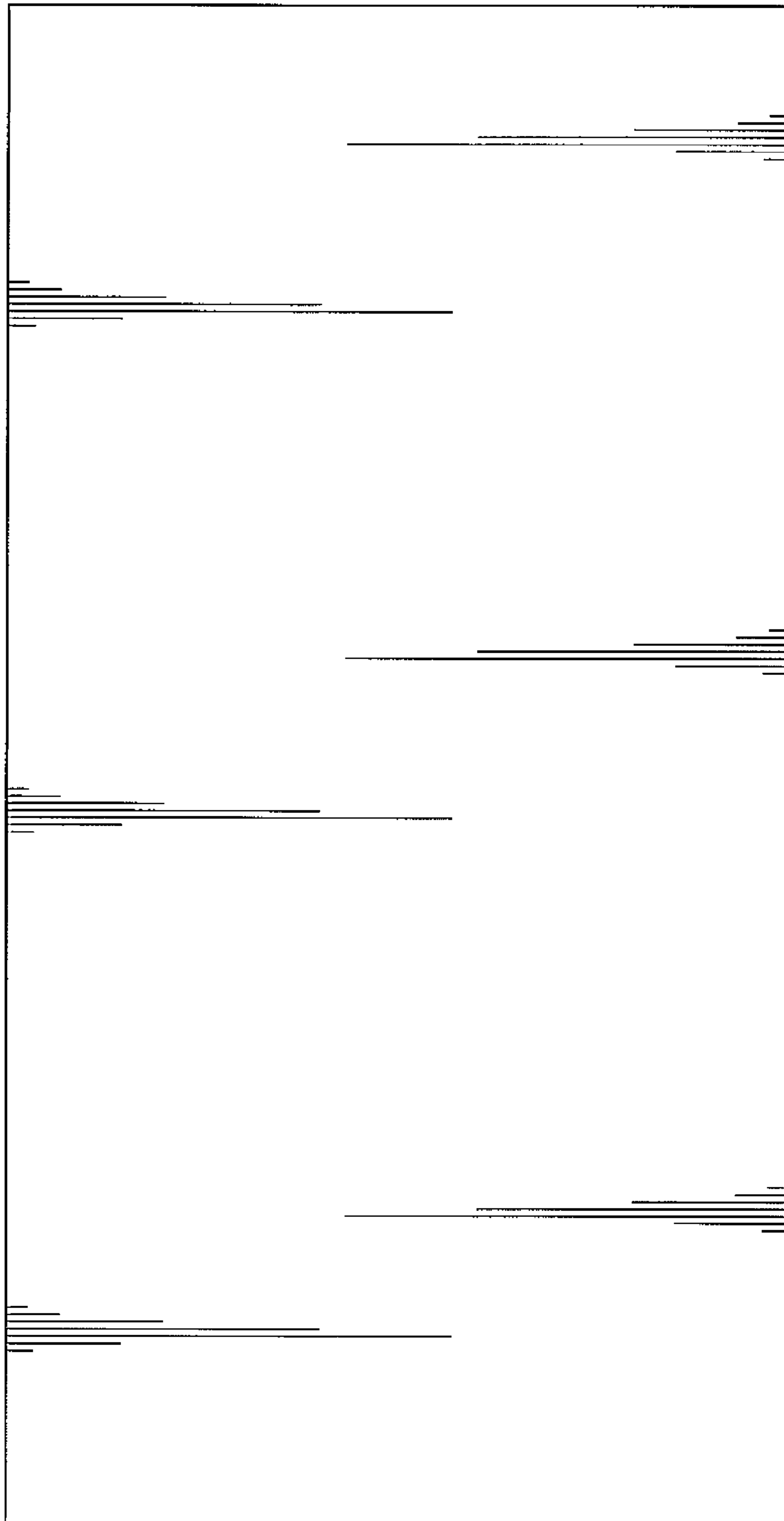


FIG. 6

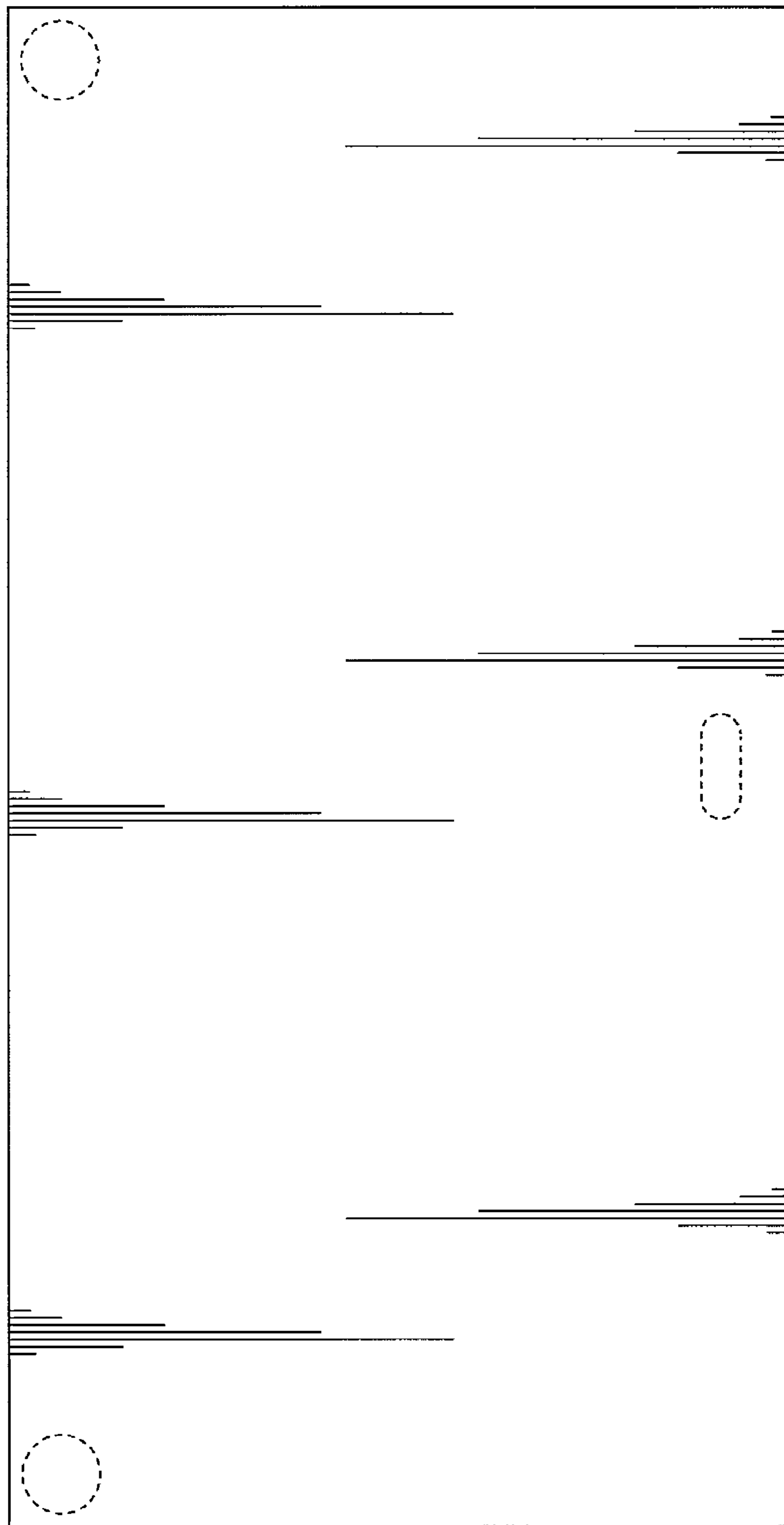


FIG. 7