



US00D678381S

(12) **United States Design Patent**
Fujita et al.

(10) **Patent No.:** **US D678,381 S**
(45) **Date of Patent:** **** Mar. 19, 2013**

(54) **PROJECTOR-EQUIPPED DIGITAL CAMERA**

(75) Inventors: **Chikara Fujita**, Ota (JP); **Chihiro Tsukamoto**, Tokyo (JP)

(73) Assignee: **Nikon Corporation**, Tokyo (JP)

(**) Term: **14 Years**

(21) Appl. No.: **29/410,117**

(22) Filed: **Jan. 4, 2012**

(30) **Foreign Application Priority Data**

Jul. 8, 2011 (JP) 2011-015702

(51) **LOC (9) Cl.** **16-05**

(52) **U.S. Cl.** **D16/219**

(58) **Field of Classification Search** D16/200–204,
D16/208, 218, 212, 219; 348/373–376; 358/909.1;
396/59, 448, 535–541

See application file for complete search history.

(56) **References Cited**

U.S. PATENT DOCUMENTS

D451,527 S * 12/2001 Suzuki et al. D16/219
D500,333 S * 12/2004 Hong et al. D16/218
D582,465 S * 12/2008 Nakajima D16/202

D611,082 S * 3/2010 Tajima D16/219
D627,385 S * 11/2010 Tainaka D16/219
D648,765 S * 11/2011 Tsukamoto D16/202
2006/0139457 A1 * 6/2006 Liao 348/373

* cited by examiner

Primary Examiner — Adir Aronovich

(74) *Attorney, Agent, or Firm* — Posz Law Group, PLC

(57) **CLAIM**

The ornamental design for a projector-equipped digital camera, as shown and described.

DESCRIPTION

FIG. 1 is a front, top and right side perspective view of projector-equipped digital camera showing our new design; FIG. 2 is a front elevational view thereof; FIG. 3 is a top plan view thereof; FIG. 4 is a bottom plan view thereof; FIG. 5 is a right side elevational view thereof; FIG. 6 is a left side elevational view thereof; and, FIG. 7 is a front elevational view, the sliding cover in an opened position.

The features shown in broken lines in the drawings depict environmental subject matter only and form no part of the claimed design. The dot-dashed lines denote the boundary of the claim and form no part of the claimed design.

1 Claim, 5 Drawing Sheets

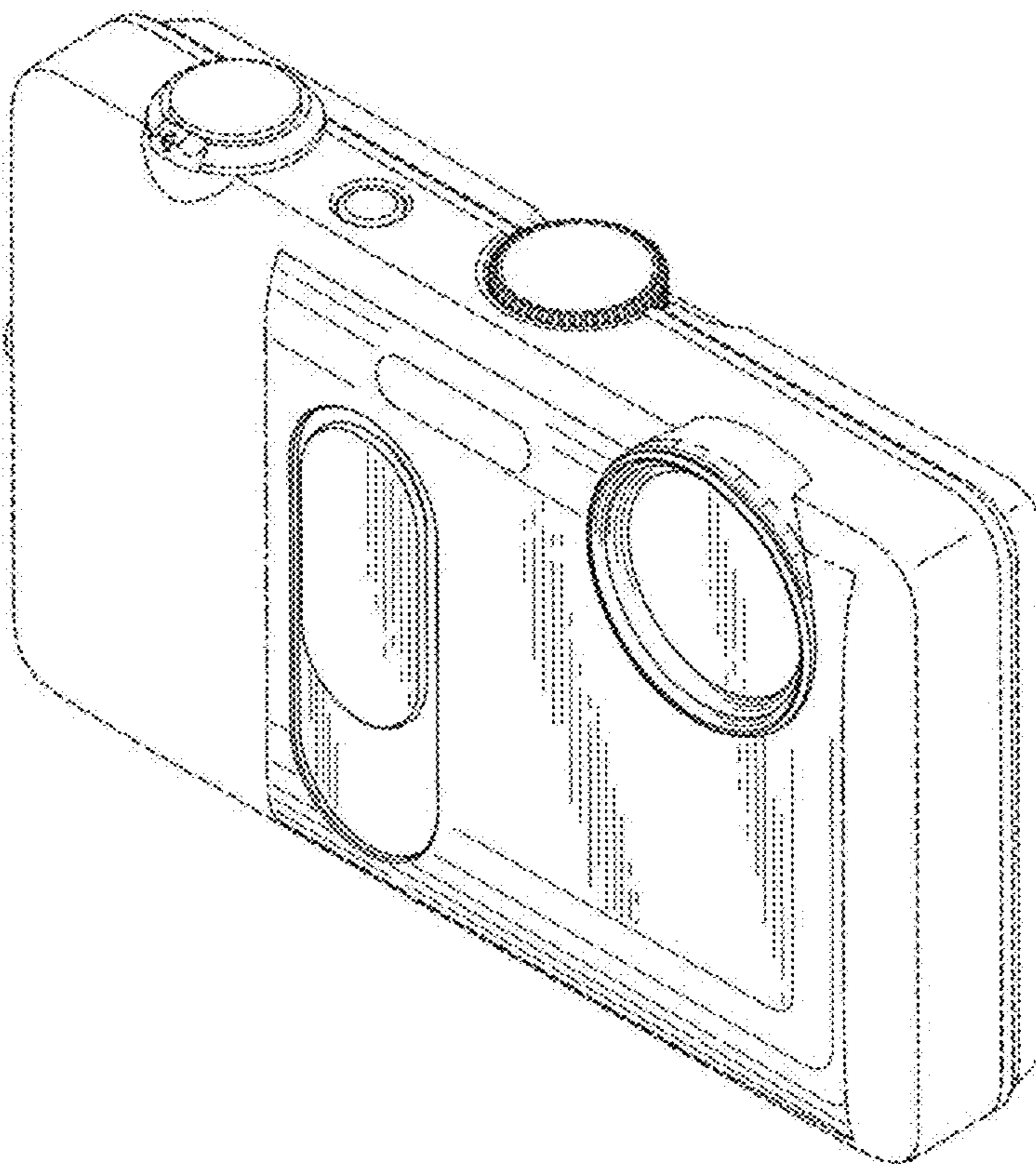


FIG. 1

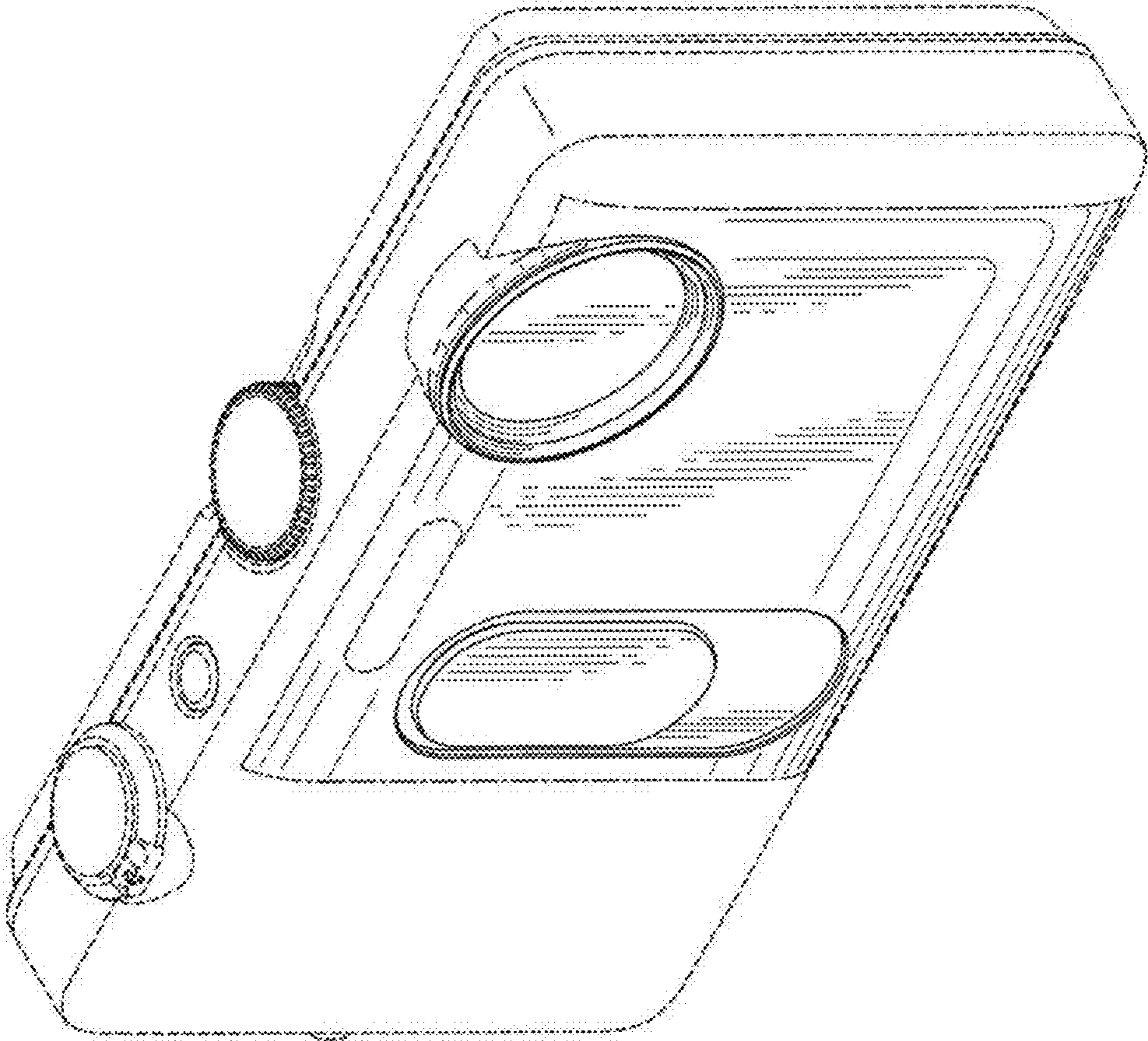


FIG. 2

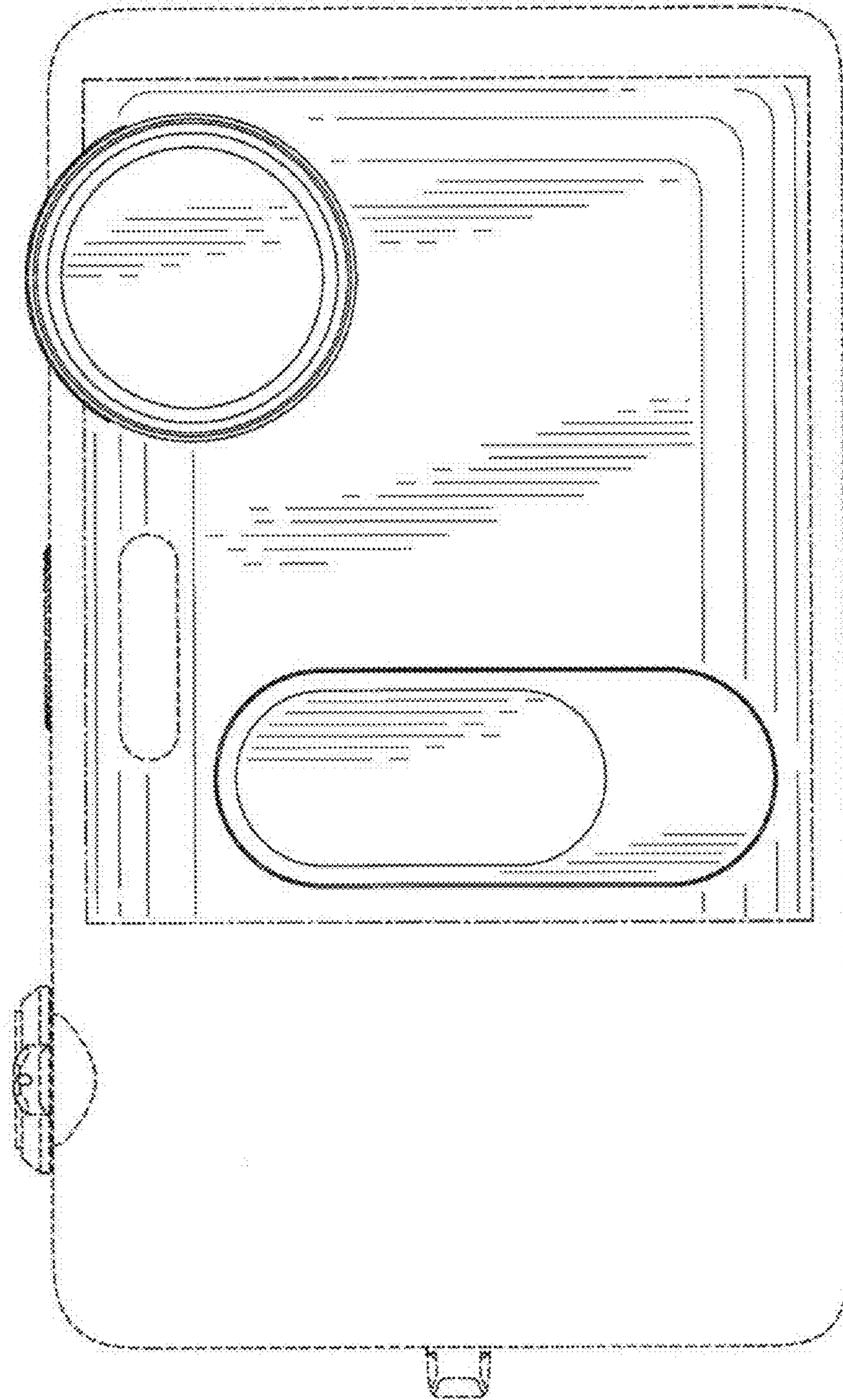


FIG. 3

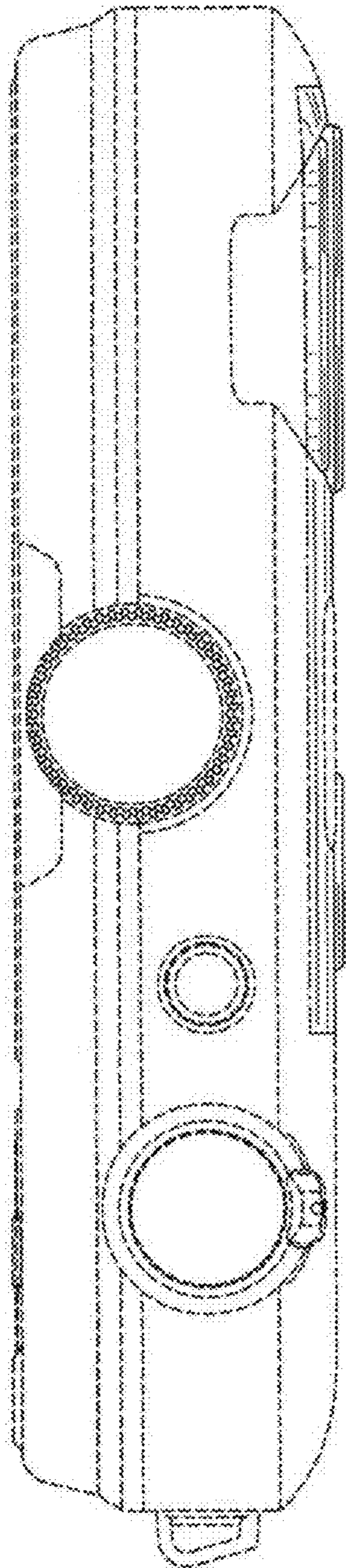


FIG. 4

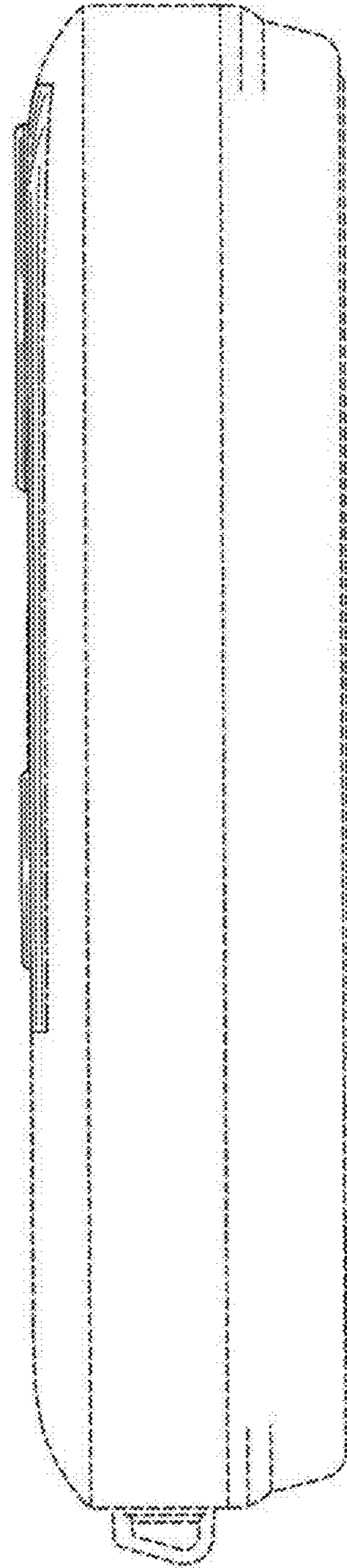


FIG. 6

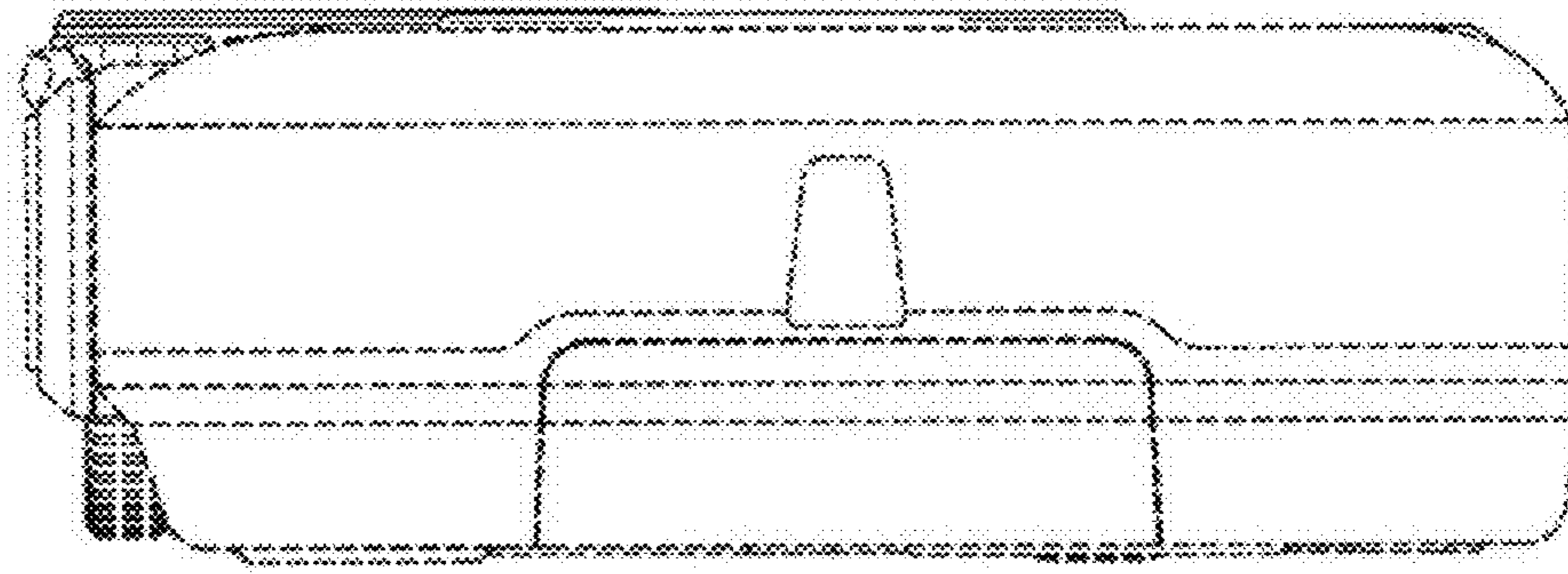


FIG. 5

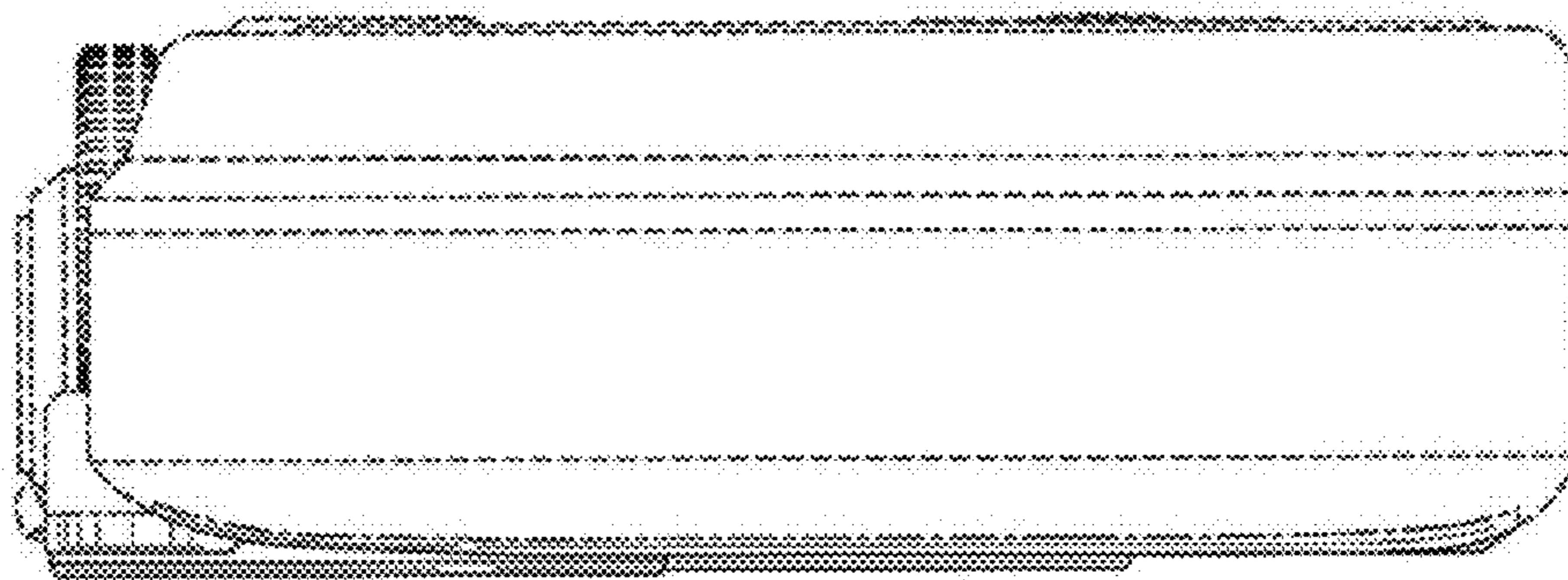


FIG. 7

