



US00D678380S

(12) **United States Design Patent**
Pardo et al.

(10) **Patent No.:** **US D678,380 S**
(45) **Date of Patent:** **** Mar. 19, 2013**

(54) **WEBCAM**

(75) Inventors: **Fernando Pardo**, Moorpark, CA (US);
Shanshan Li, Fort Collins, CO (US);
Etienne H. Iliffe-Moon, Sherman Oaks,
CA (US); **Alexandra L. McGill**, Los
Angeles, CA (US); **Michael C. Ip**,
Fremont, CA (US); **Dean L. Sanderson**,
Erie, CO (US)

(73) Assignee: **Hewlett-Packard Development
Company, L.P.**, Houston, TX (US)

(**) Term: **14 Years**

(21) Appl. No.: **29/414,683**

(22) Filed: **Mar. 1, 2012**

(51) **LOC (9) Cl.** **16-01**

(52) **U.S. Cl.** **D16/202; D16/242**

(58) **Field of Classification Search** D16/200,
D16/202, 203, 208, 218, 242; 248/187.1;
348/373-375; 396/419, 535, 540, 541
See application file for complete search history.

(56) **References Cited**

U.S. PATENT DOCUMENTS

D631,079 S * 1/2011 Tzeng D16/202
D631,497 S * 1/2011 Han et al. D16/242

D641,388 S * 7/2011 Shih et al. D16/202
D651,229 S * 12/2011 Tan et al. D16/202
D654,942 S * 2/2012 Khamsepoor et al. D16/202
D664,579 S * 7/2012 Tzeng D16/202

* cited by examiner

Primary Examiner — Adir Aronovich

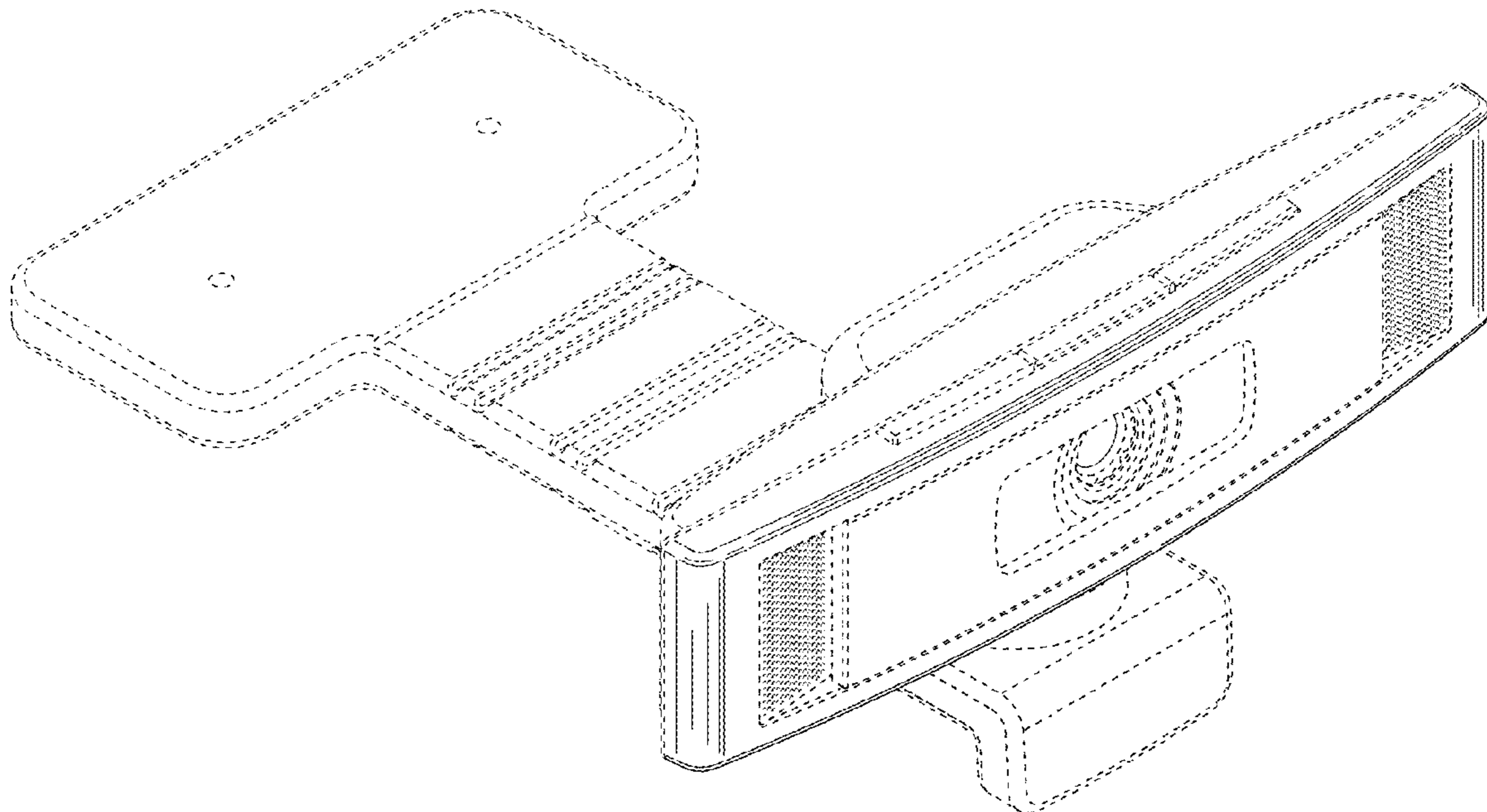
(57) **CLAIM**

The ornamental design for a webcam, as shown and described.

DESCRIPTION

FIG. 1 is a front perspective view of a webcam placed on a monitor showing our new design;
FIG. 2 is a front and left side perspective view of the webcam of FIG. 1;
FIG. 3 is a front elevation view of the webcam of FIG. 1;
FIG. 4 is a rear elevation view of the webcam of FIG. 1;
FIG. 5 is a top plan view of the webcam of FIG. 1;
FIG. 6 is a bottom plan view of the webcam of FIG. 1;
FIG. 7 is a right side elevational view of the webcam of FIG. 1; and,
FIG. 8 is a left side elevational view of the webcam of FIG. 1.
The broken lines in all views are shown to illustrate environment only and form no part of the claimed design.

1 Claim, 8 Drawing Sheets



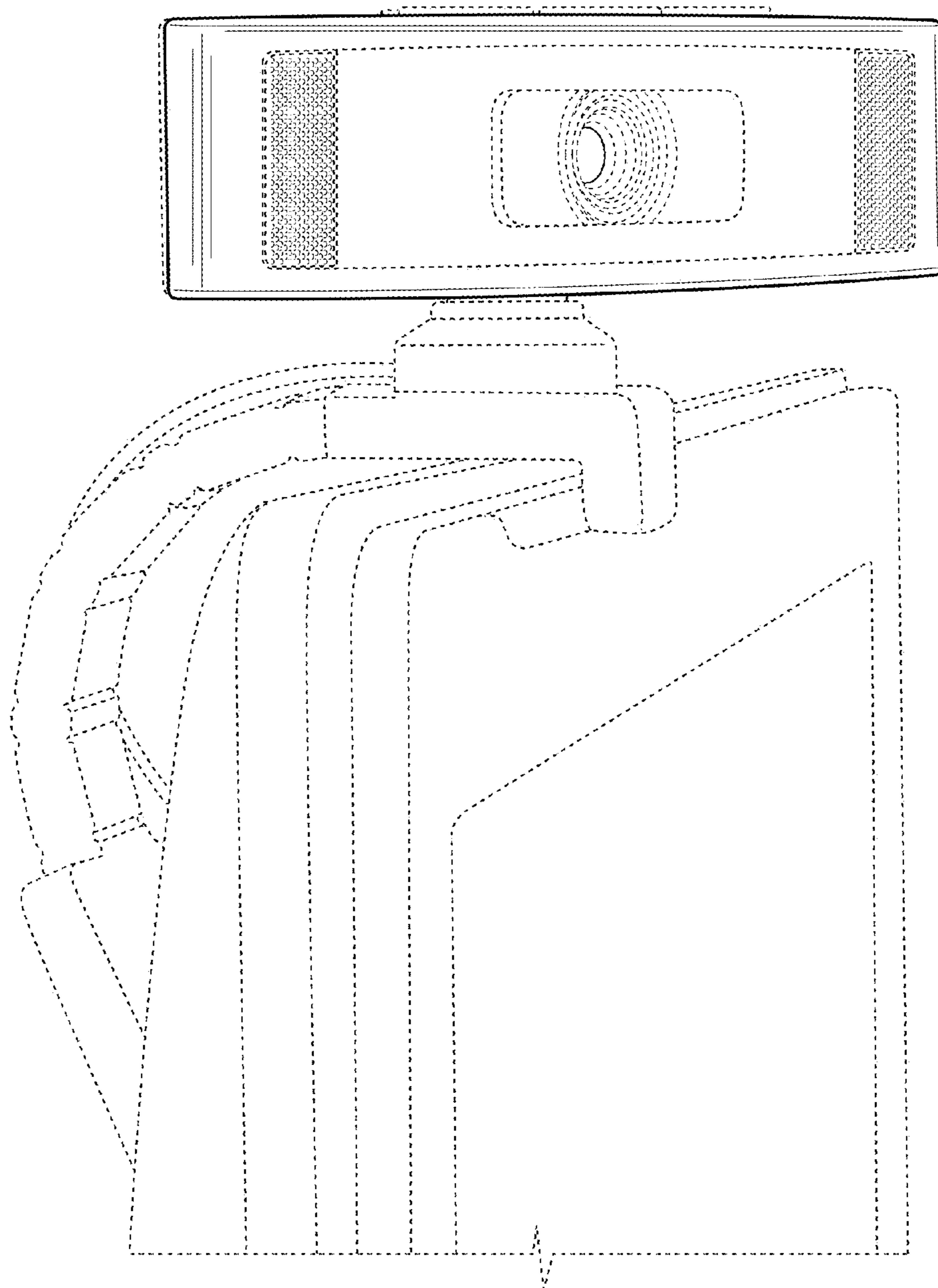


FIG. 1

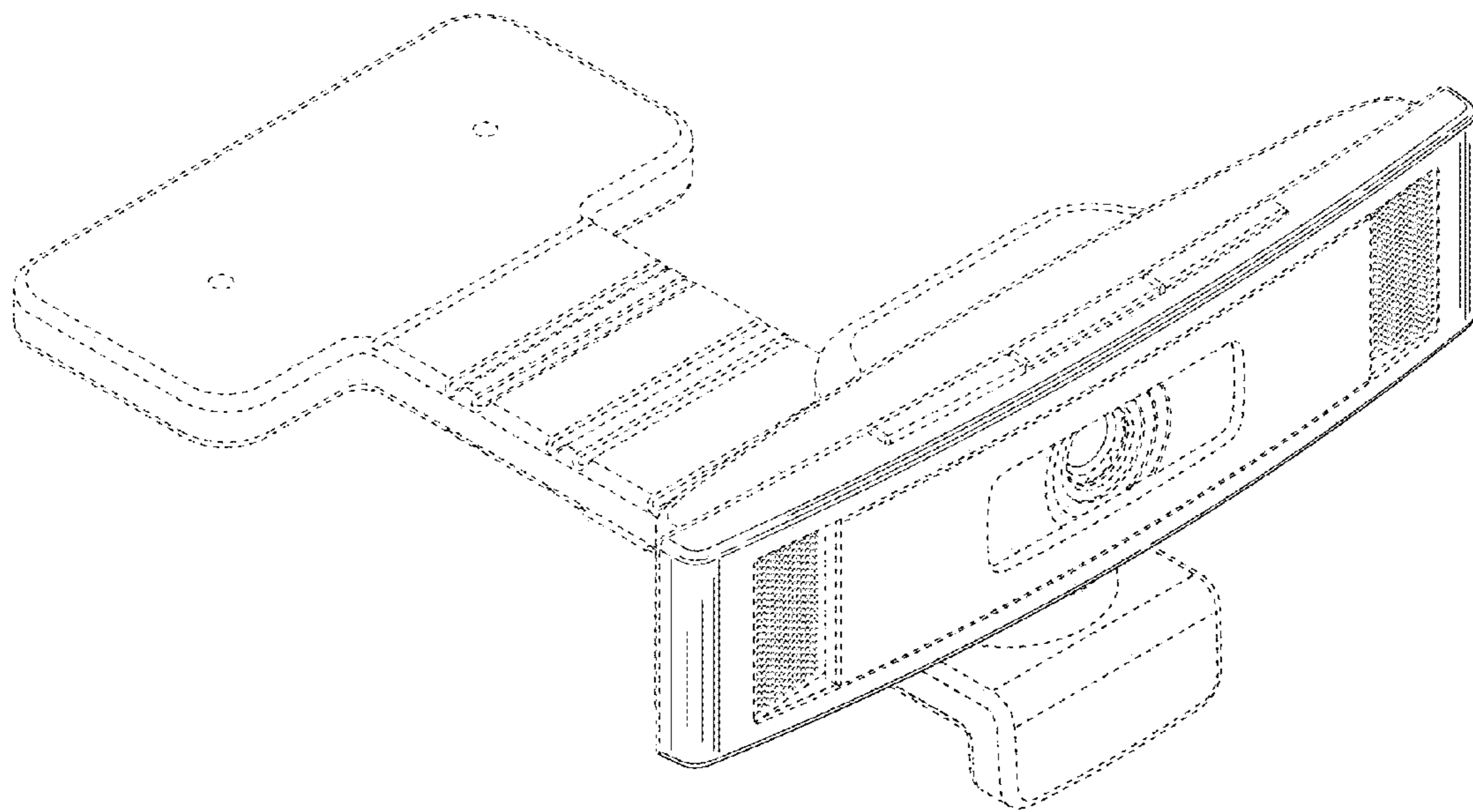


FIG. 2

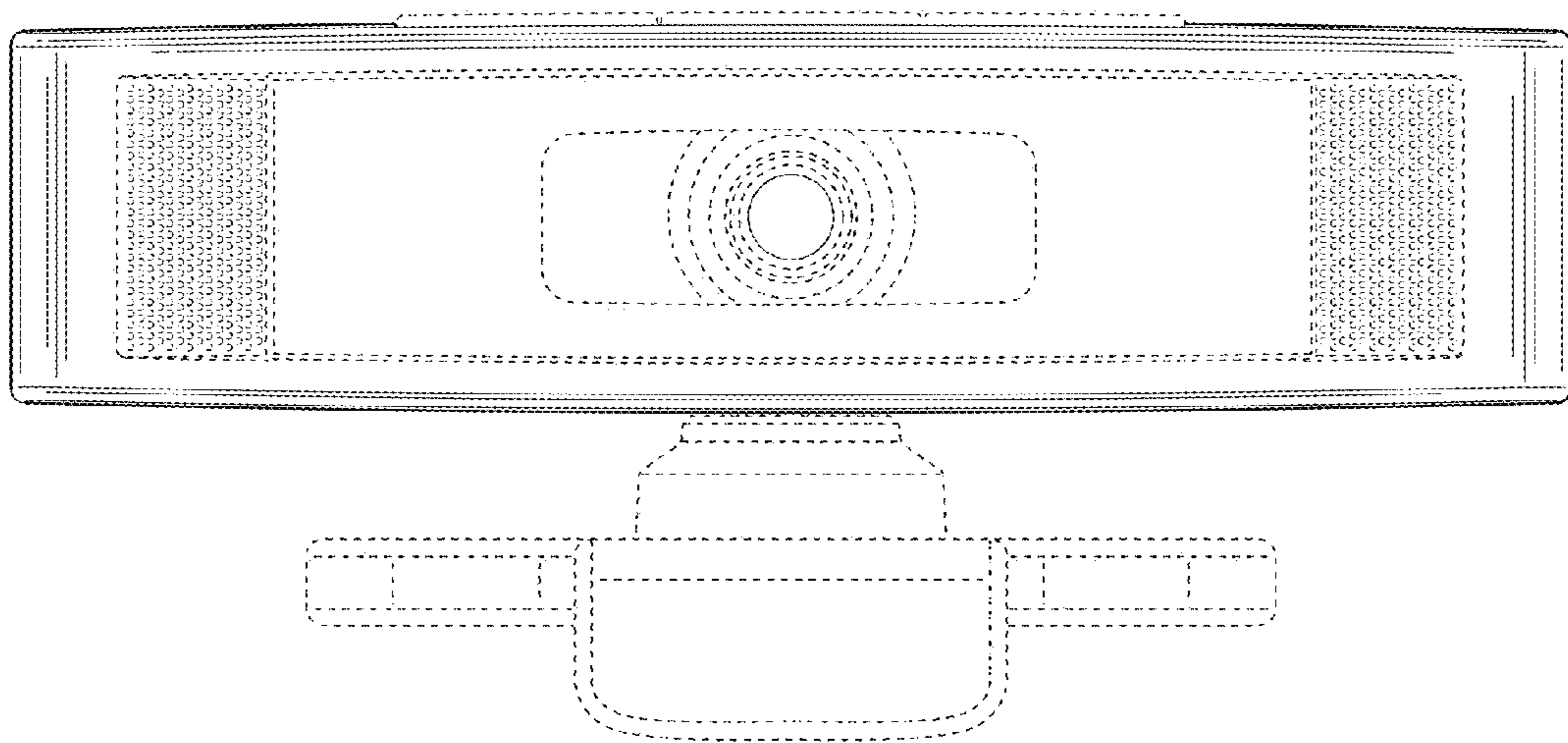


FIG. 3

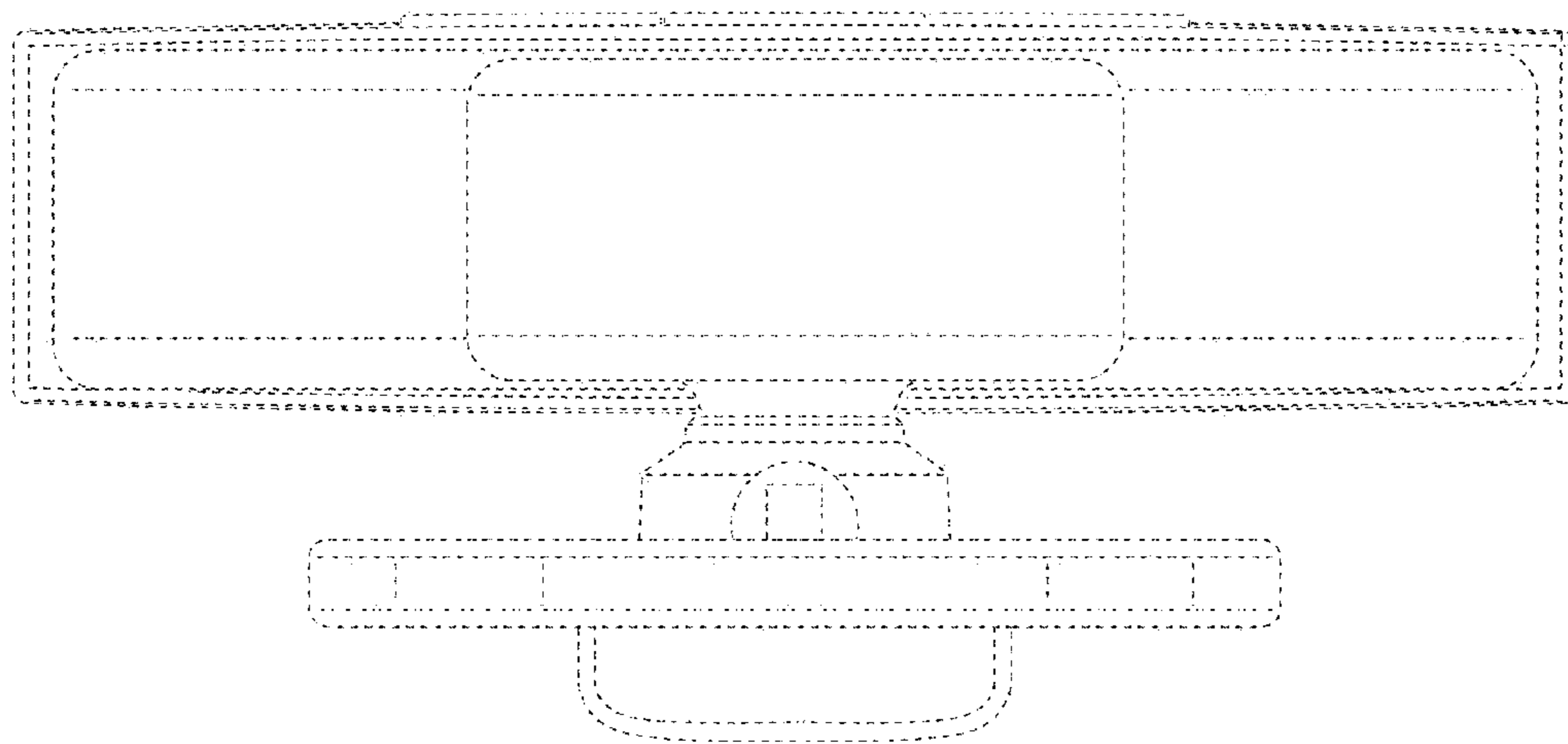


FIG. 4

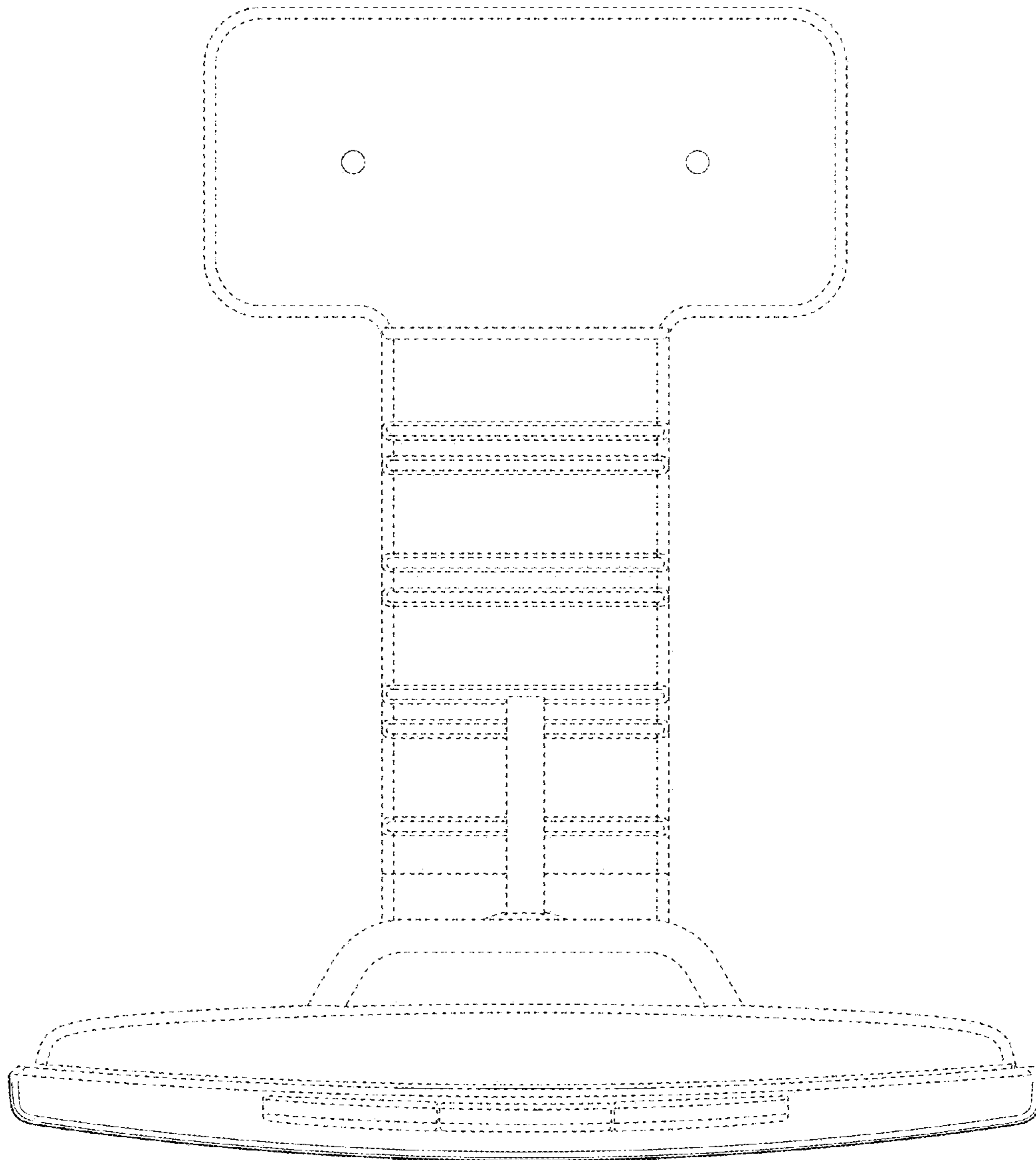


FIG. 5

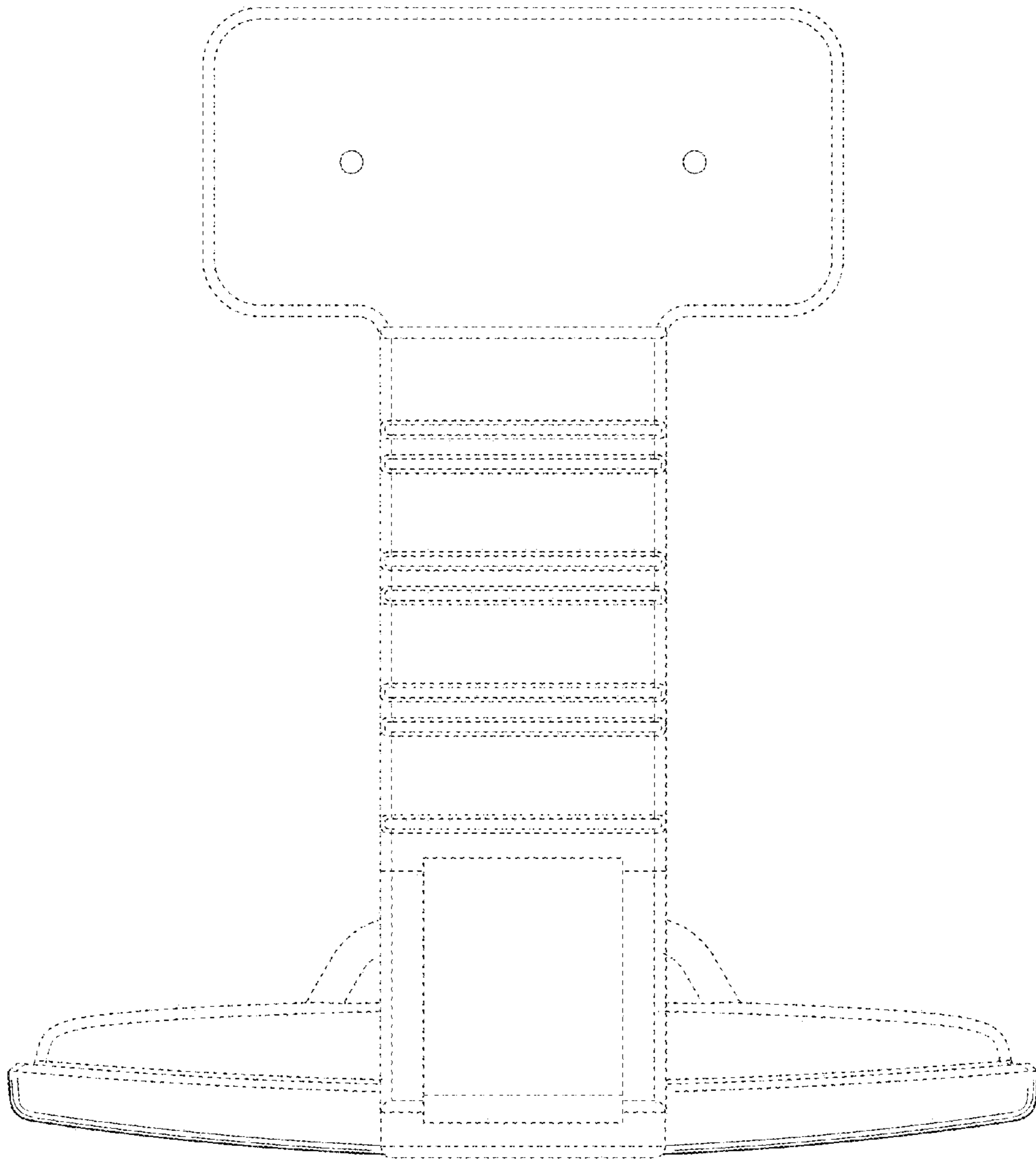


FIG. 6

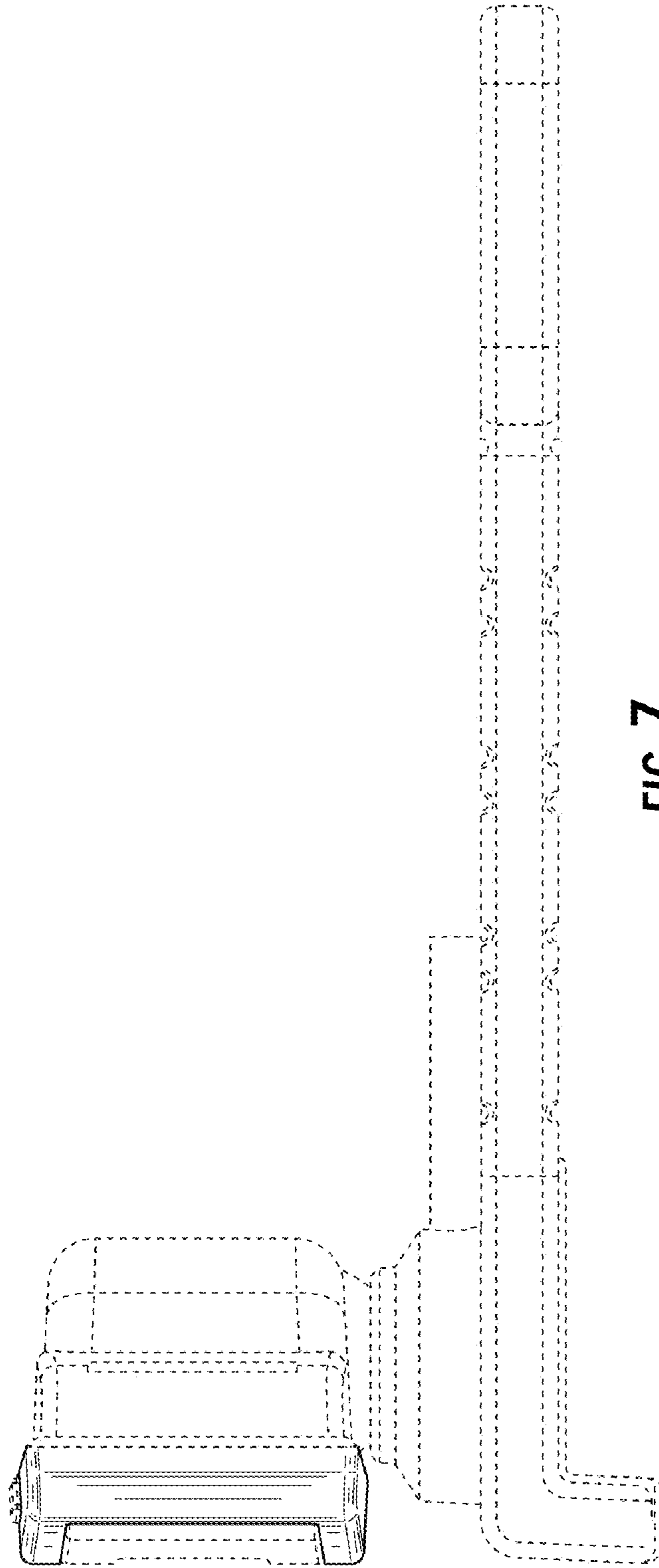


FIG. 7

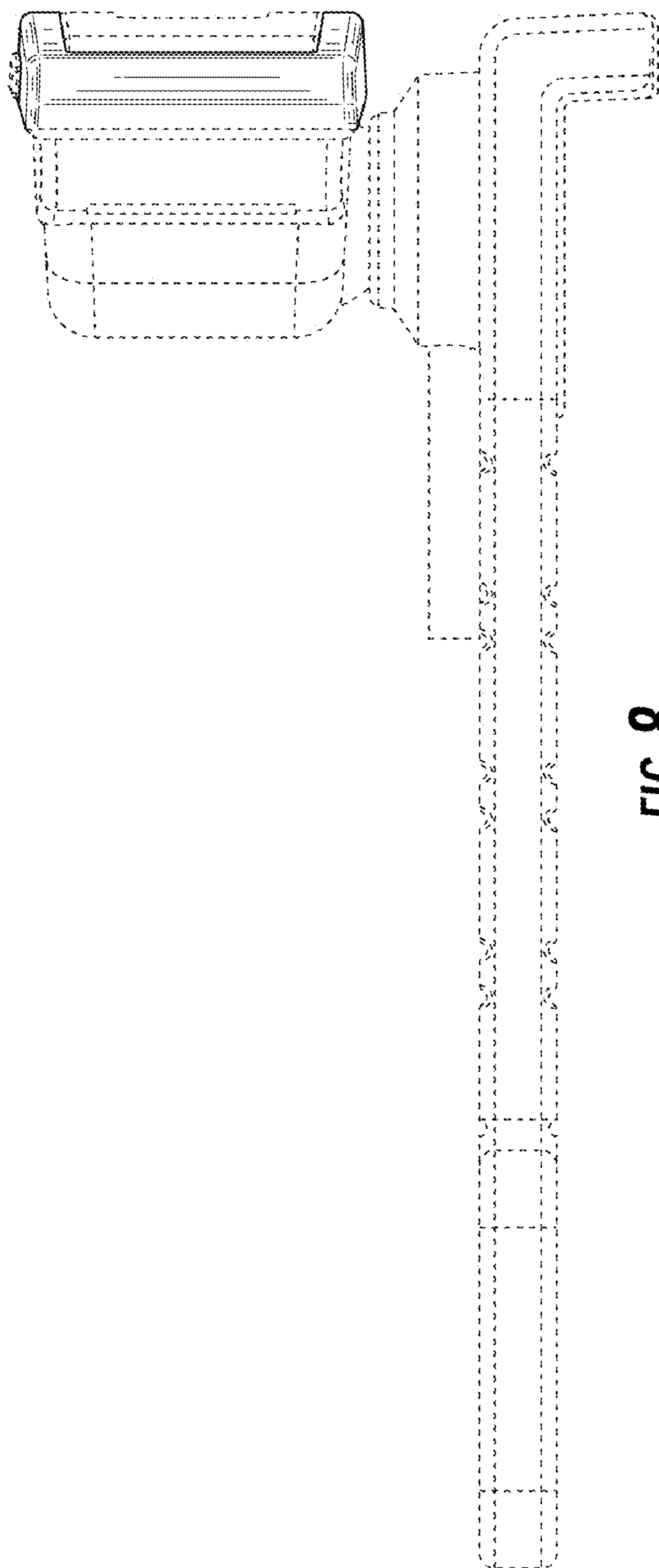


FIG. 8