



US00D678379S

(12) **United States Design Patent**
O'Neill et al.

(10) **Patent No.:** **US D678,379 S**

(45) **Date of Patent:** **** Mar. 19, 2013**

(54) **LENS COMPONENT**

(75) Inventors: **Patrick O'Neill**, Huntington Beach, CA (US); **Chong Pak**, Lakewood, CA (US)

(73) Assignee: **Premier Systems USA, Inc.**, Huntington Beach, CA (US)

(**) Term: **14 Years**

(21) Appl. No.: **29/409,978**

(22) Filed: **Dec. 30, 2011**

(51) **LOC (9) CL.** **16-06**

(52) **U.S. CL.** **D16/134; D14/511**

(58) **Field of Classification Search** D16/130, D16/134, 136, 219, 250; 359/409, 808, 823, 359/827; D14/432, 433, 242, 239, 483, 511, D14/217, 484; 396/530, 6

See application file for complete search history.

(56) **References Cited**

U.S. PATENT DOCUMENTS

D141,692	S *	6/1945	Nemeth	D16/136
2,428,719	A *	10/1947	Nemeth	359/823
3,090,282	A *	5/1963	Angenieux	359/823
3,133,140	A *	5/1964	Winchell	359/511
3,138,060	A *	6/1964	Eggert et al.	359/702
3,454,323	A *	7/1969	Dierks et al.	359/612
3,620,149	A *	11/1971	Ogihara	396/533
3,817,601	A *	6/1974	Colaiace et al.	359/700
3,828,991	A *	8/1974	Moore	224/610
D248,160	S *	6/1978	Feinbloom et al.	D16/237
4,264,167	A *	4/1981	Plummer	396/17
D264,048	S *	4/1982	Magner	D8/382
D274,336	S *	6/1984	Huckenbeck	D16/132
D274,691	S *	7/1984	Wallace	D8/336
D275,766	S *	10/1984	Suzuki	D16/134
D295,871	S *	5/1988	Charles	D16/130
4,760,510	A *	7/1988	Lahti	362/365
4,893,143	A *	1/1990	Sheng-Huei	396/530
5,050,963	A *	9/1991	Murakami	359/808
5,054,886	A *	10/1991	Ozaki et al.	359/823
5,311,358	A *	5/1994	Pederson et al.	359/510
5,416,544	A *	5/1995	Stapleton	396/544
5,455,711	A *	10/1995	Palmer	359/353
D374,878	S *	10/1996	Palmer	D16/130

D387,787	S *	12/1997	Palmer	D16/130
5,831,778	A *	11/1998	Chueh	359/829
6,545,825	B2 *	4/2003	Shoji et al.	359/819
6,752,516	B1 *	6/2004	Beadle	362/647
6,889,006	B2	5/2005	Kobayashi		
D546,863	S *	7/2007	Ito et al.	D16/219
D560,702	S *	1/2008	Tokiwa et al.	D16/208
7,600,932	B2 *	10/2009	Senba et al.	396/529
7,639,353	B2	12/2009	Rooke		
7,967,513	B2	6/2011	Zhang		
8,040,621	B2 *	10/2011	Chang et al.	359/824
D649,970	S *	12/2011	Lyford et al.	D14/433
8,073,324	B2 *	12/2011	Tsai	396/544
8,279,544	B1	10/2012	O'Neill		
2007/0275763	A1	11/2007	Sawadski et al.		
2007/0280677	A1	12/2007	Drake et al.		
2009/0109558	A1	4/2009	Schaefer		
2009/0181729	A1	7/2009	Griffin, Jr. et al.		
2010/0048243	A1	2/2010	Fourquin et al.		
2010/0328420	A1	12/2010	Roman		
2011/0110654	A1	5/2011	Maki		

FOREIGN PATENT DOCUMENTS

JP	2006 251150	9/2006
JP	2007 206137	8/2007
WO	WO 2006 002674	1/2006

OTHER PUBLICATIONS

Amazon.com: Fish Eye lens + Wide Angle Lens + Macro Lens 3-in-1 Kit for iPod iPhone 4G, printed on Feb. 3, 2012.

* cited by examiner

Primary Examiner — Paula Greene

(74) *Attorney, Agent, or Firm* — Knobbe, Martens, Olson & Bear, LLP

(57) **CLAIM**

The ornamental design for a lens component, as shown and described.

DESCRIPTION

FIG. 1 is a front, top, and left side perspective view of a lens component;

FIG. 2 is a front elevational view thereof;

FIG. 3 is a rear elevational view thereof;

FIG. 4 is a left side elevational view thereof;

FIG. 5 is a right side elevational view thereof;

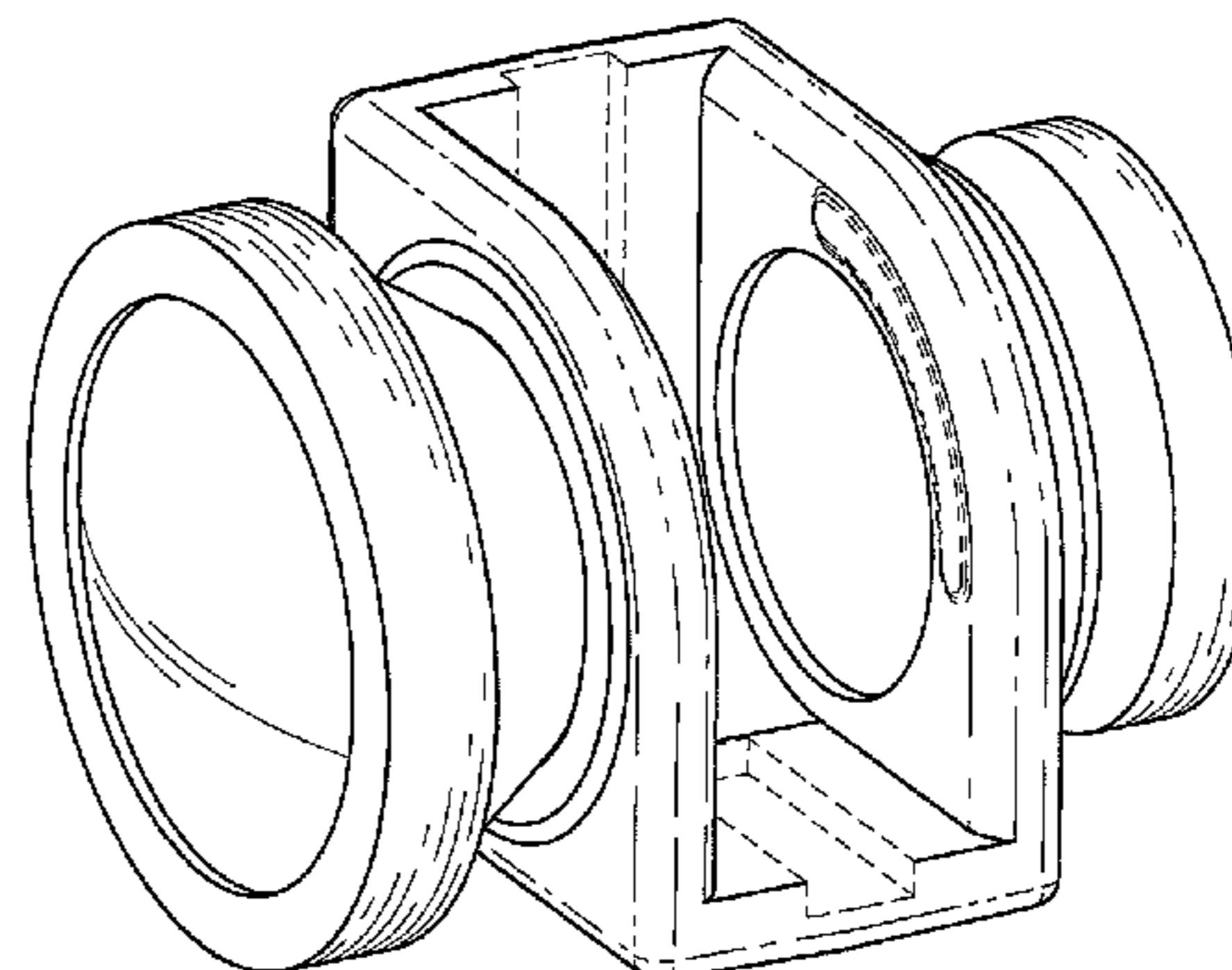
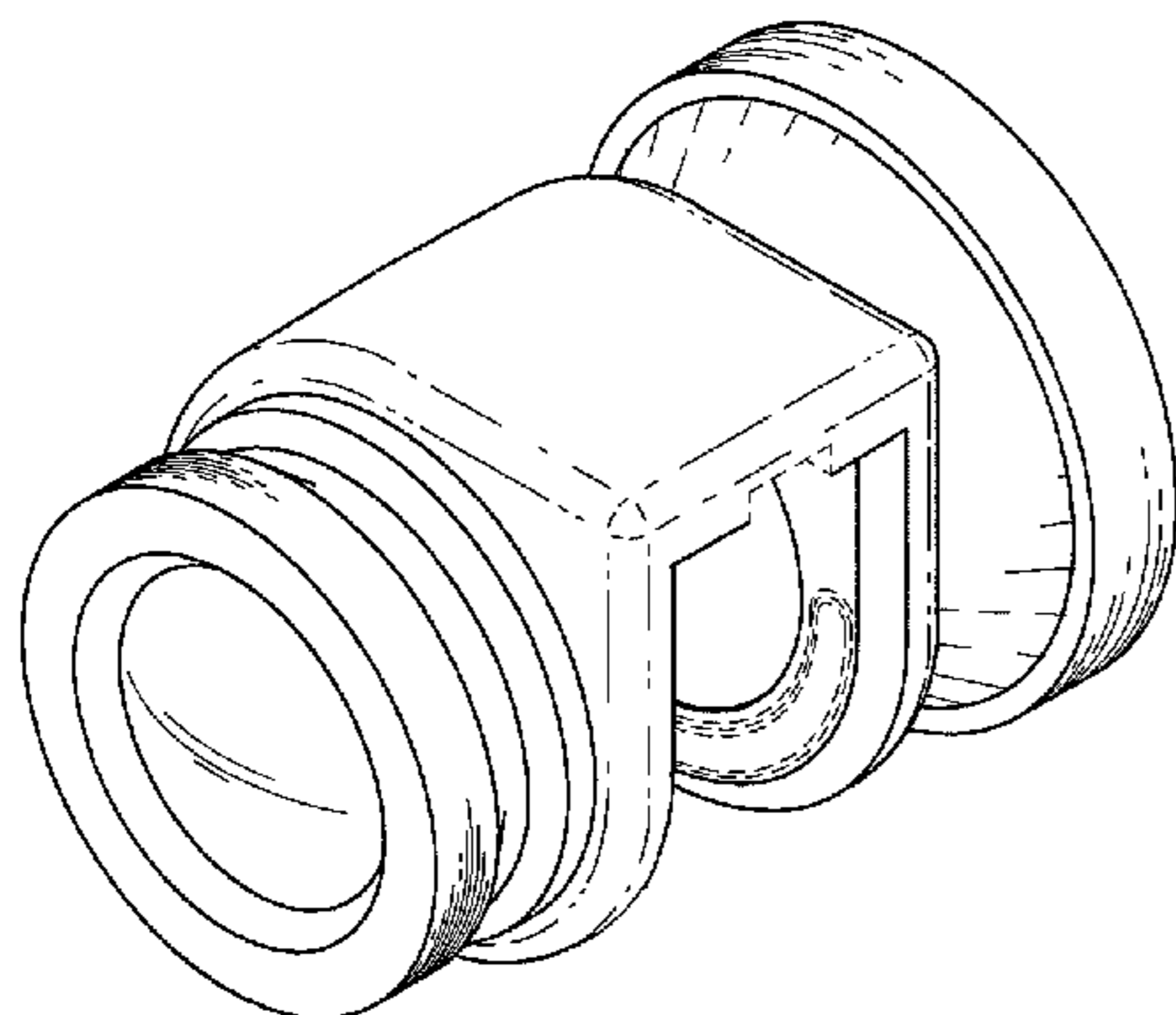


FIG. 6 is a top plan view thereof;
FIG. 7 is a bottom plan view thereof;
FIG. 8 is a rear, bottom, and right side perspective view thereof;
FIG. 9 is a front, bottom, and right side perspective view thereof;
FIG. 10 is a front, bottom, and left side perspective view thereof;
FIG. 11 is a front, top, and left side perspective view of another embodiment of a lens component;
FIG. 12 is a front elevational view thereof;
FIG. 13 is a rear elevational view thereof;
FIG. 14 is a left side elevational view thereof;
FIG. 15 is a right side elevational view thereof;
FIG. 16 is a top plan view thereof;
FIG. 17 is a bottom plan view thereof;
FIG. 18 is a rear, bottom, and right side perspective view thereof;
FIG. 19 is a front, bottom, and right side perspective view thereof;
FIG. 20 is a front, bottom, and left side perspective view thereof;
FIG. 21 is a front, top, and left side perspective view of another embodiment of a lens component;
FIG. 22 is a front elevational view thereof;
FIG. 23 is a rear elevational view thereof;
FIG. 24 is a left side elevational view thereof;

FIG. 25 is a right side elevational view thereof;
FIG. 26 is a top plan view thereof;
FIG. 27 is a bottom plan view thereof;
FIG. 28 is a rear, bottom, and right side perspective view thereof;
FIG. 29 is a front, bottom, and right side perspective view thereof;
FIG. 30 is a front, bottom, and left side perspective view thereof;
FIG. 31 is a front, top, and left side perspective view of another embodiment of a lens component;
FIG. 32 is a front elevational view thereof;
FIG. 33 is a rear elevational view thereof;
FIG. 34 is a left side elevational view thereof;
FIG. 35 is a right side elevational view thereof;
FIG. 36 is a top plan view thereof;
FIG. 37 is a bottom plan view thereof;
FIG. 38 is a rear, bottom, and right side perspective view thereof;
FIG. 39 is a front, bottom, and right side perspective view thereof; and,
FIG. 40 is a front, bottom, and left side perspective view thereof.
The features illustrated in phantom line form no part of the claimed design.

1 Claim, 40 Drawing Sheets

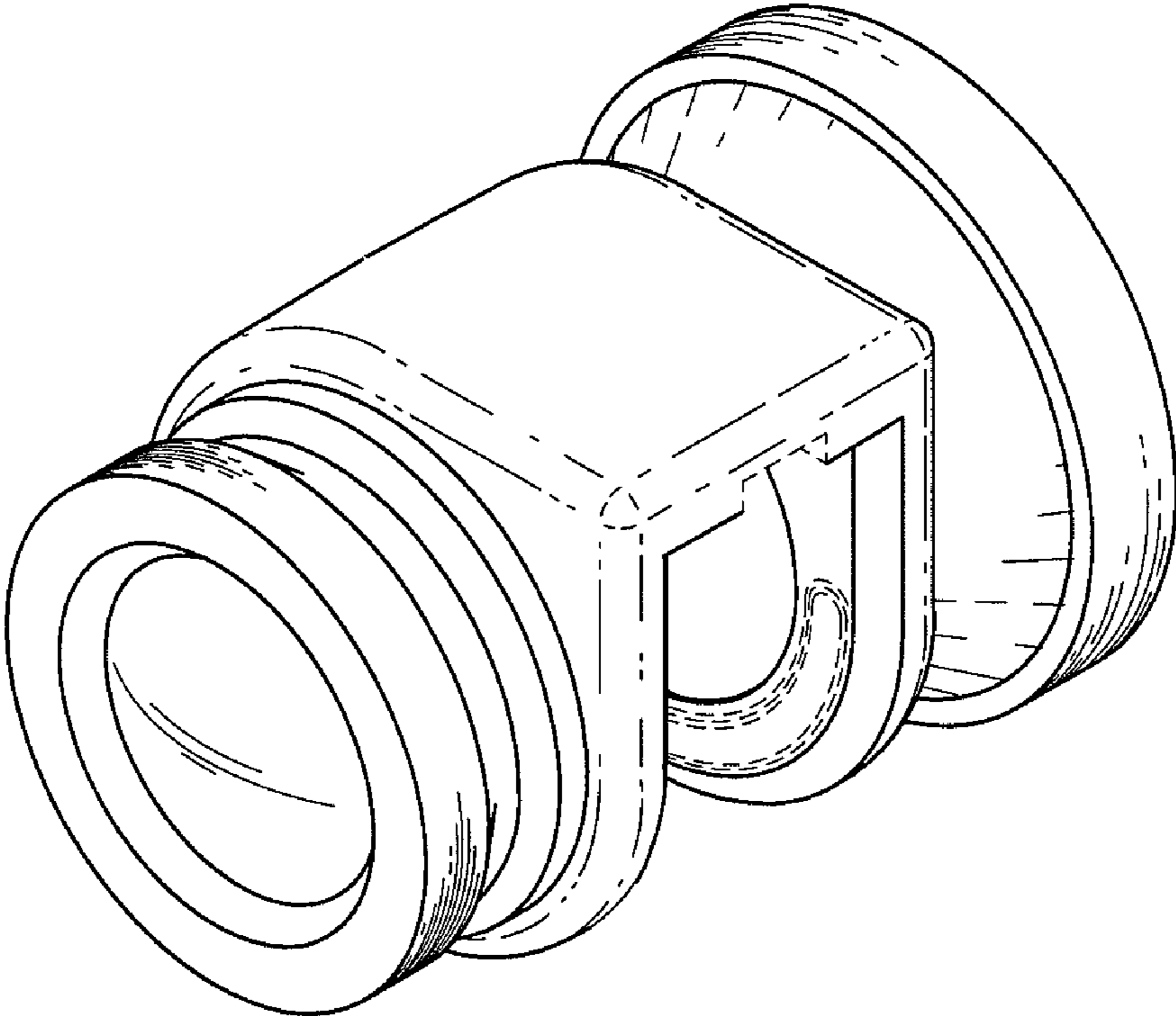


FIG. 1

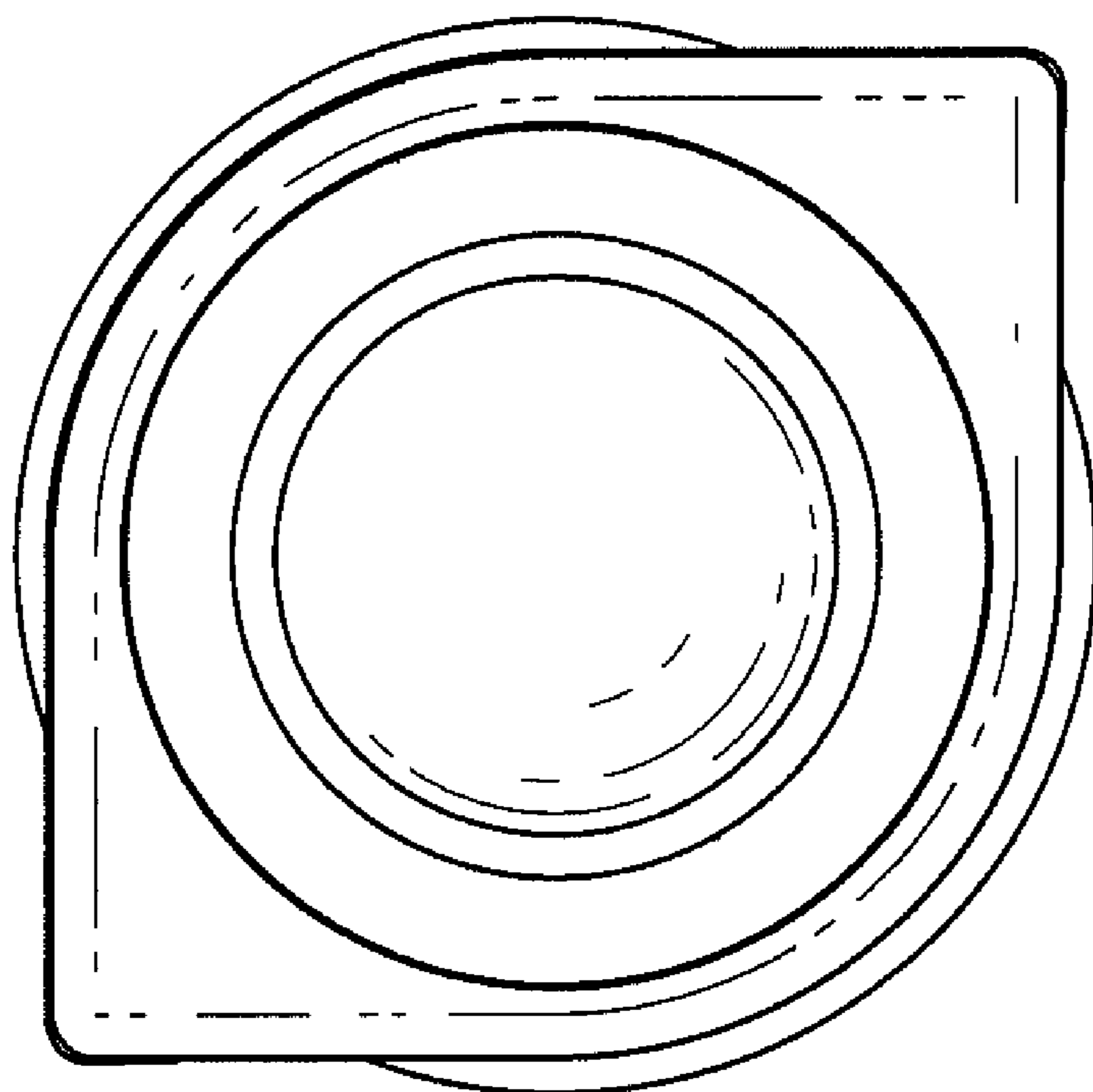


FIG. 2

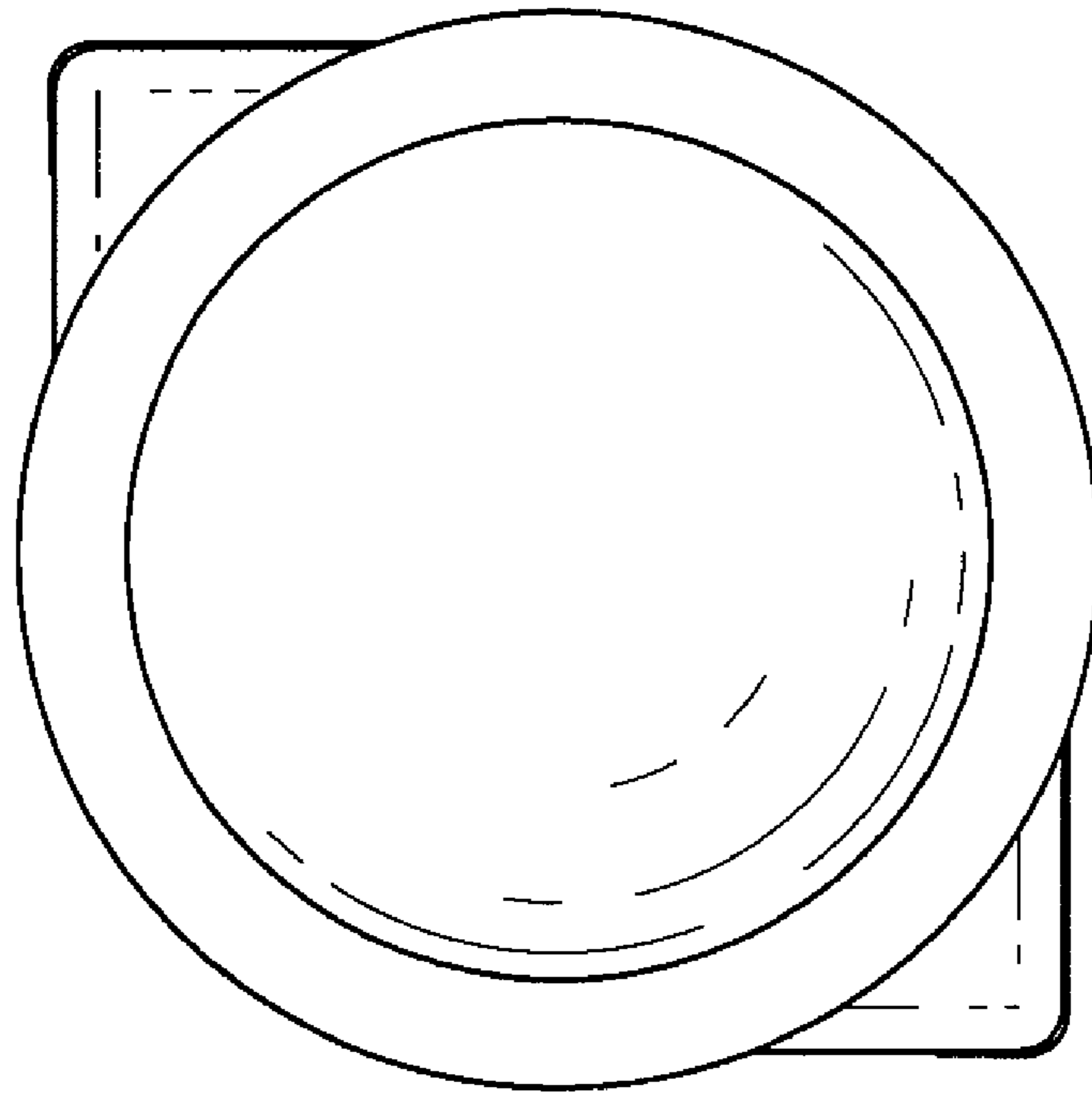


FIG. 3

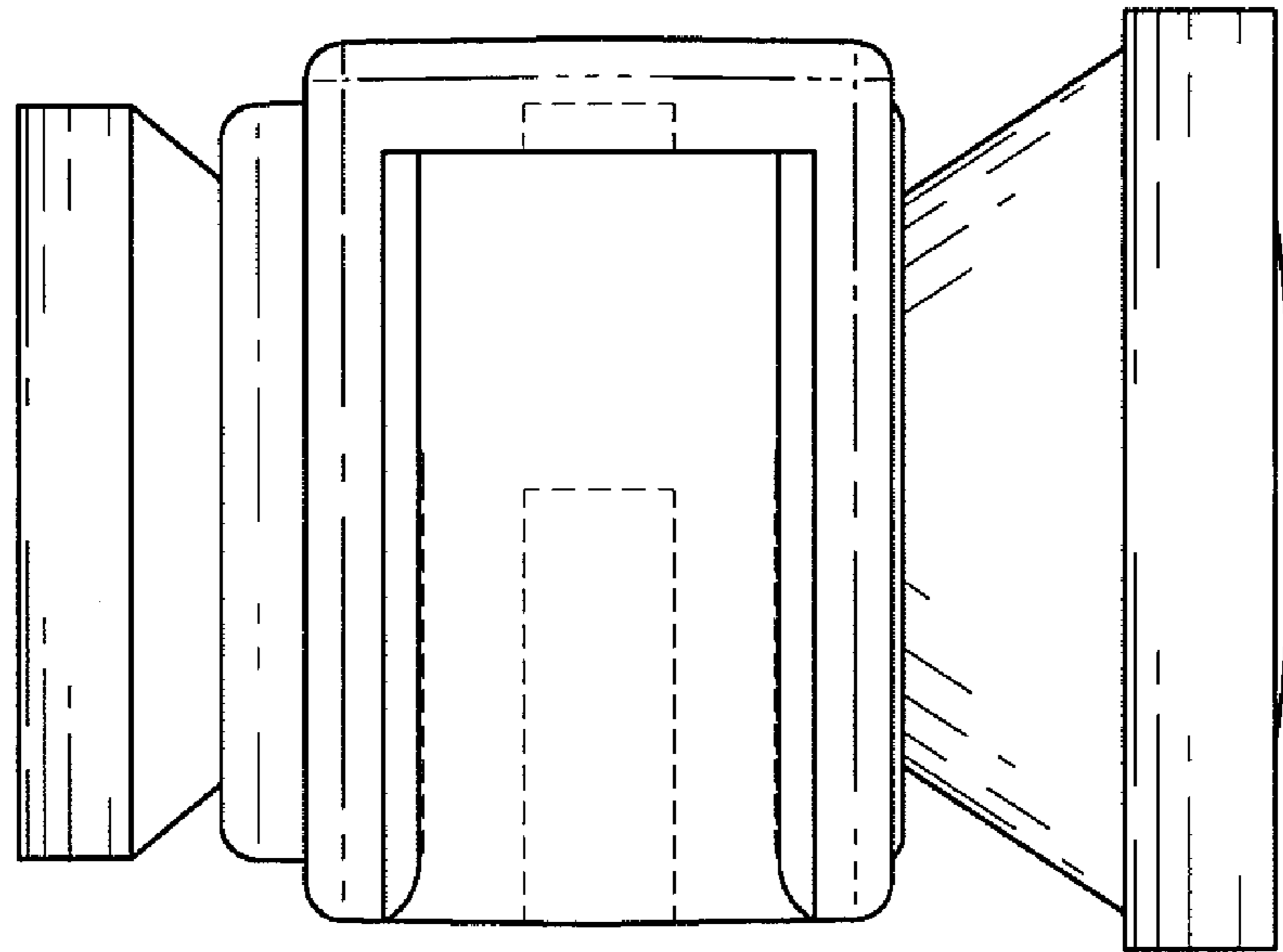


FIG. 4

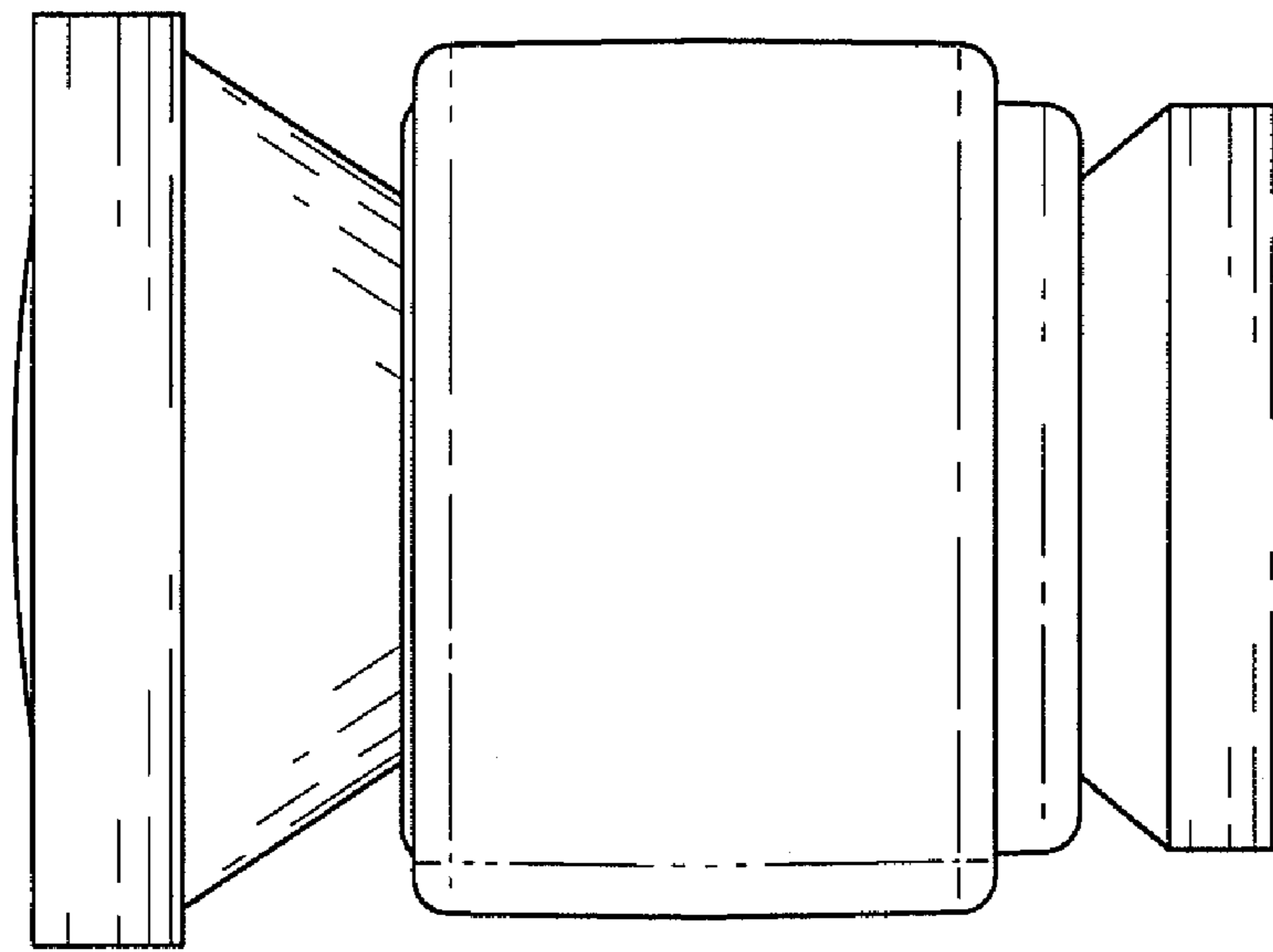


FIG. 5

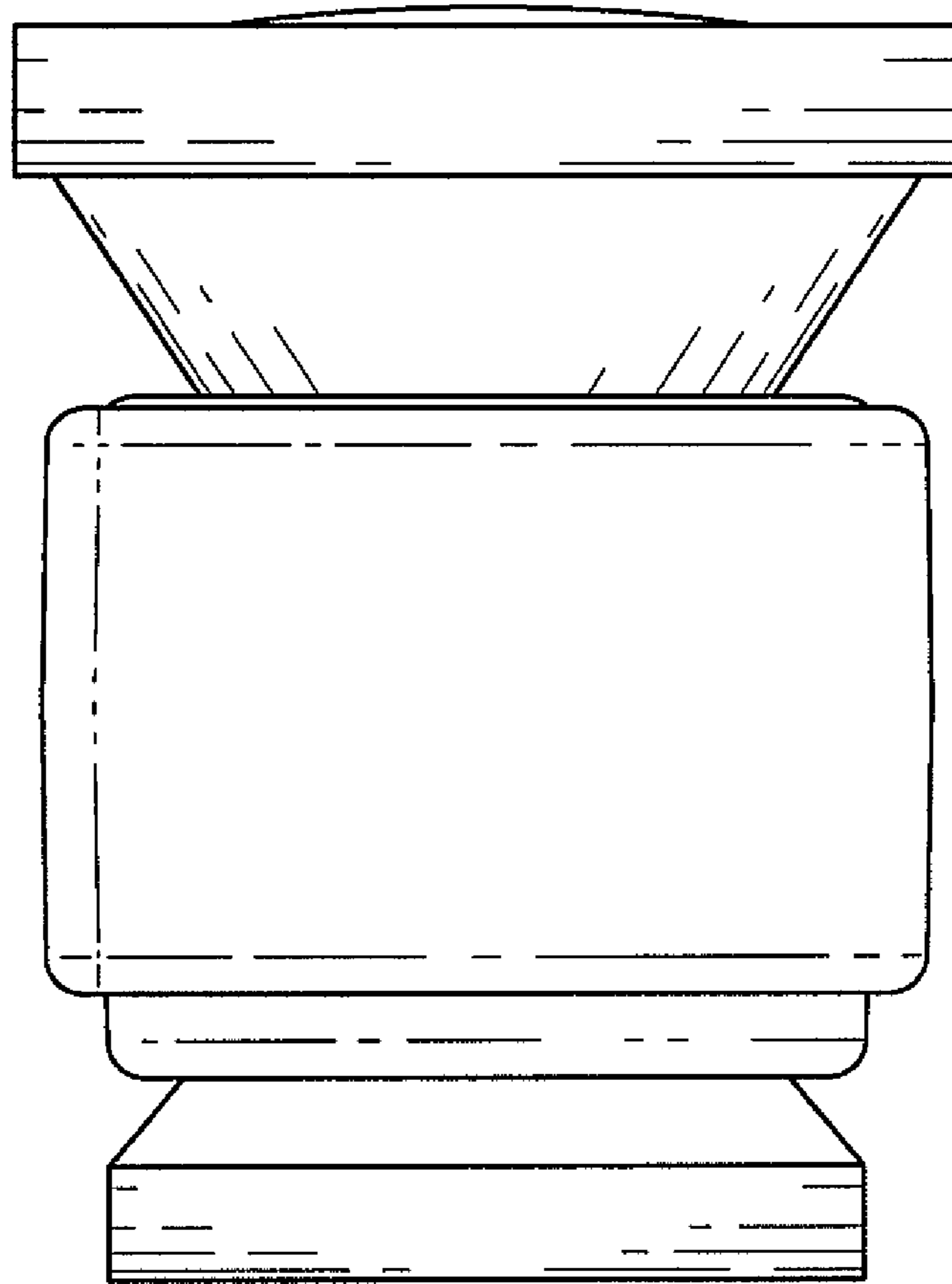


FIG. 6

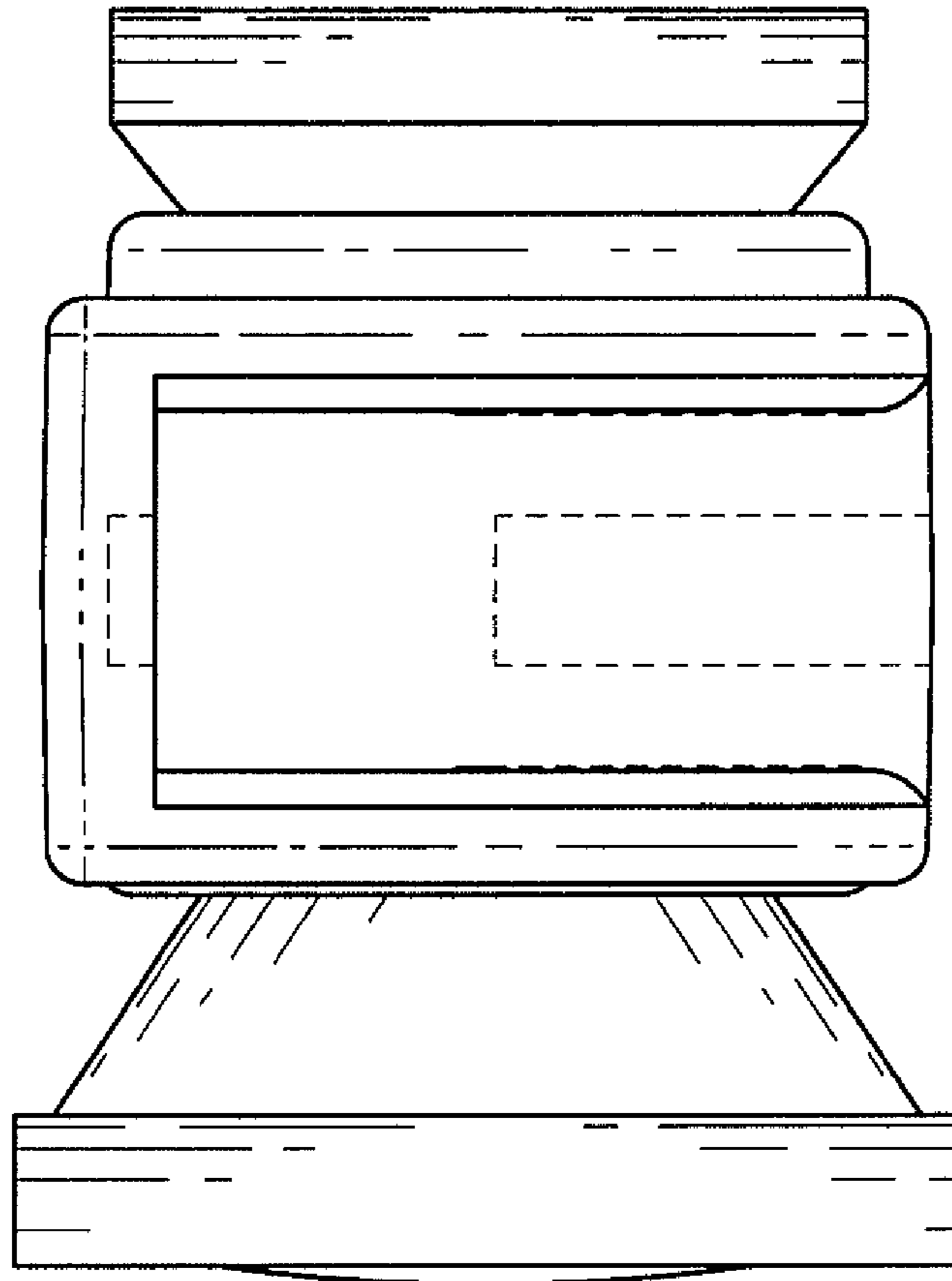


FIG. 7

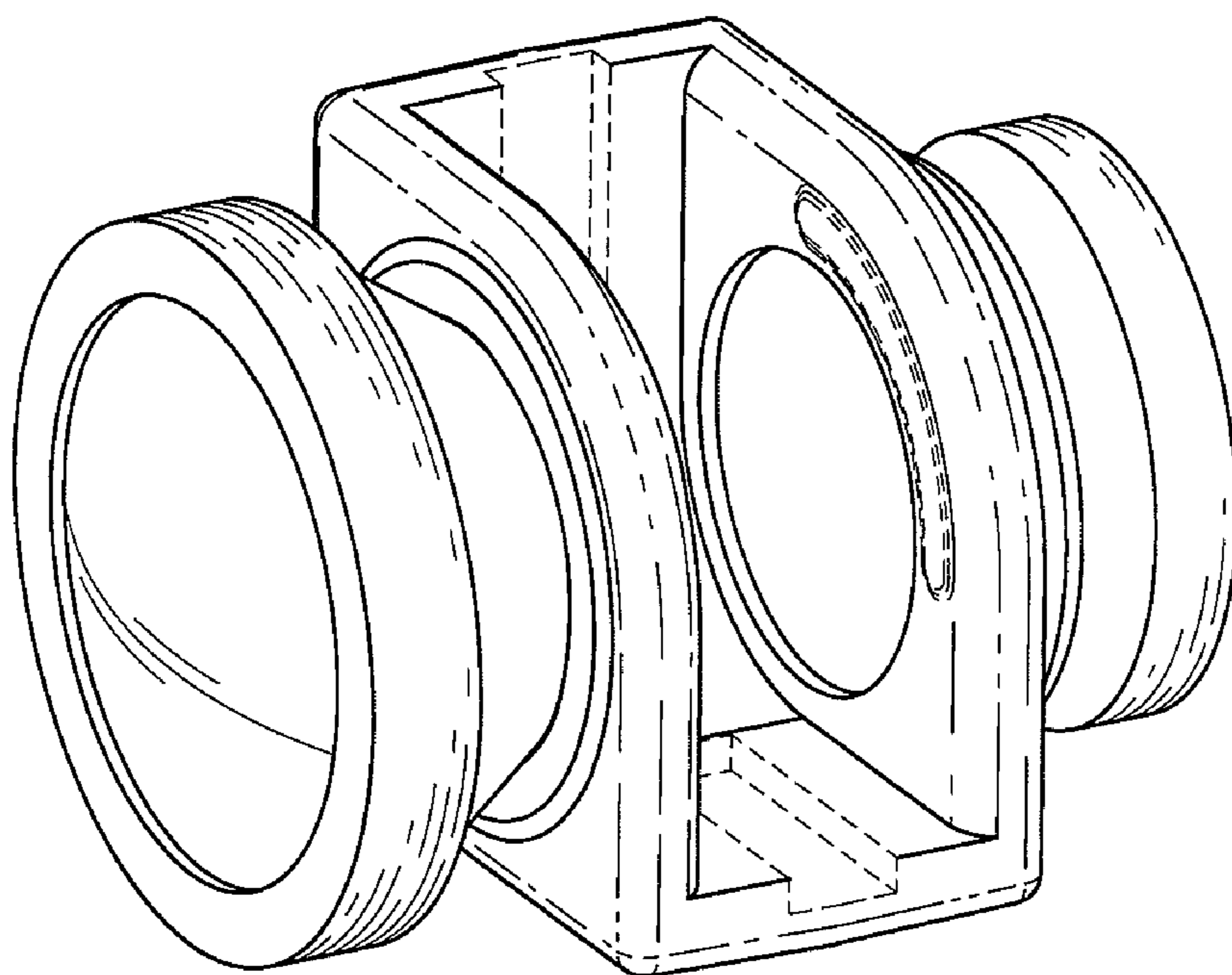


FIG. 8

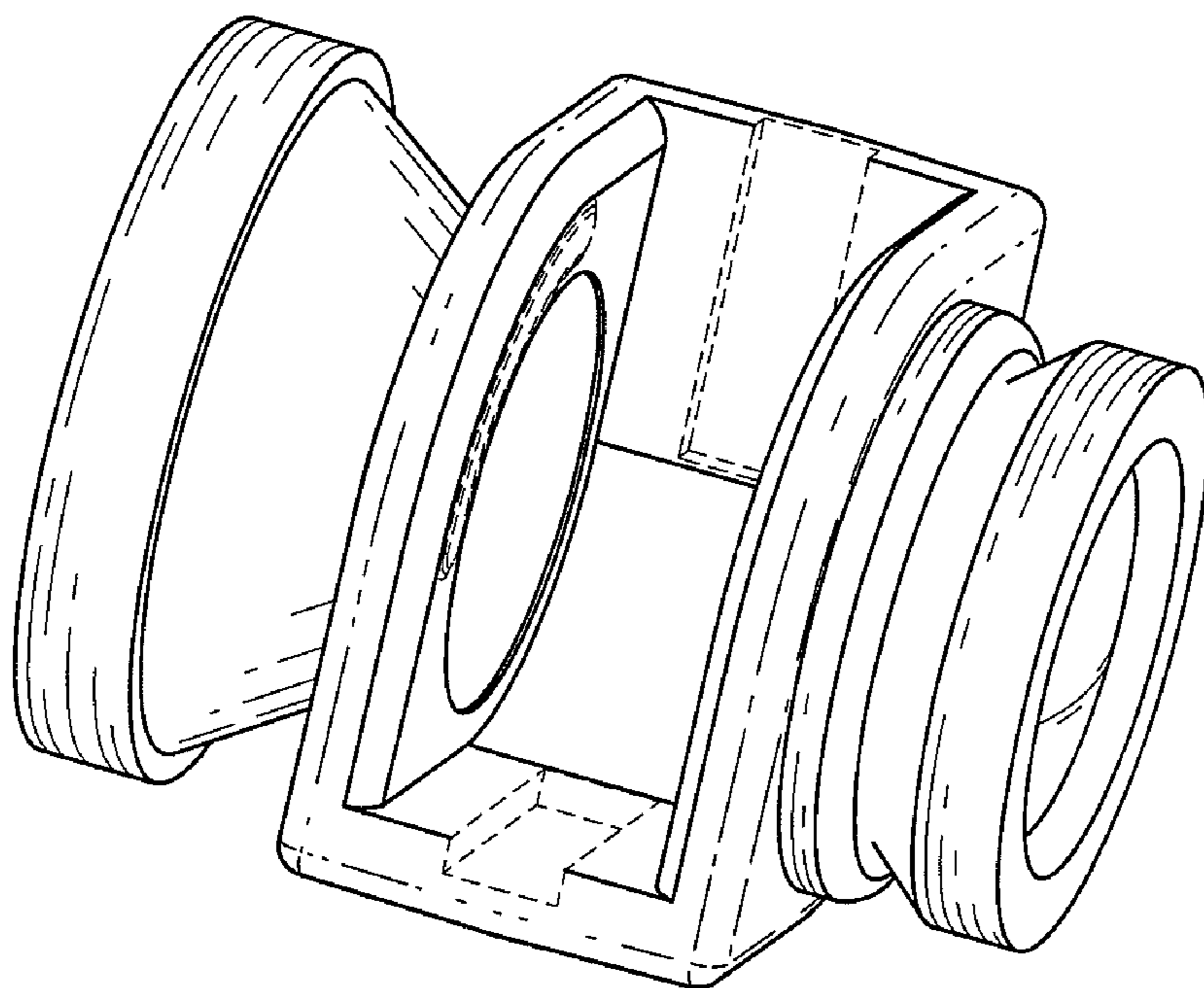


FIG. 9

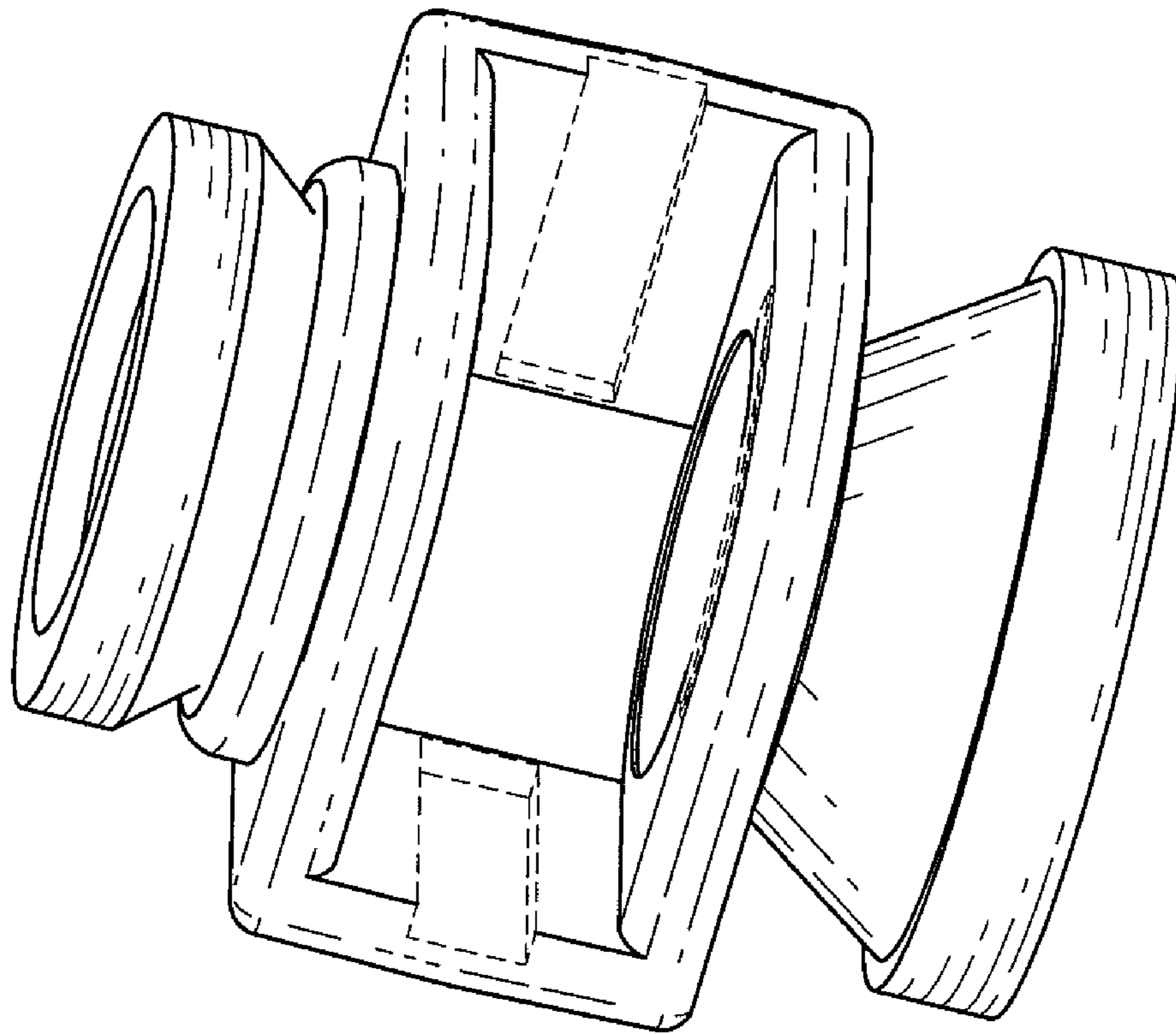


FIG. 10

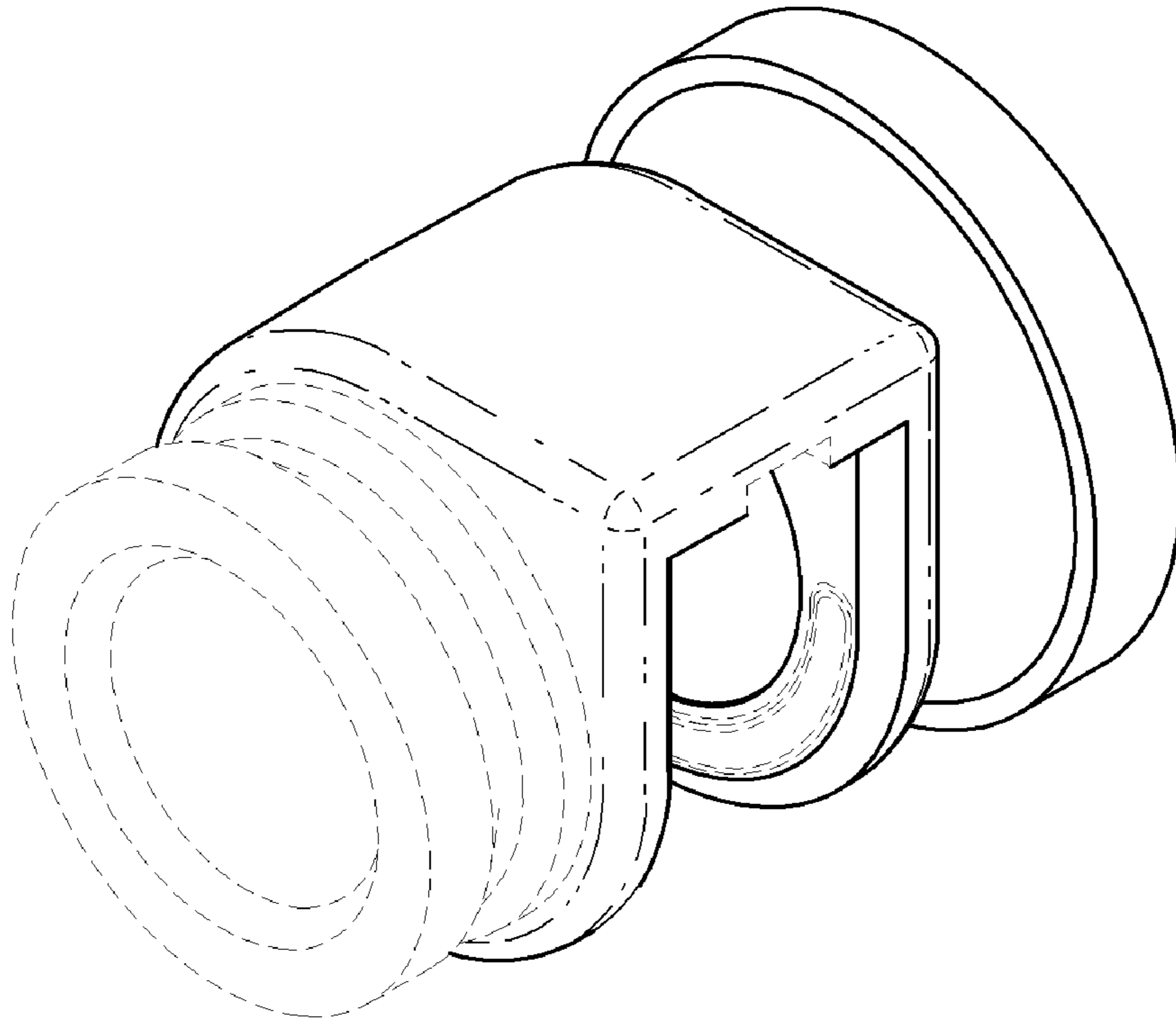


FIG. 11

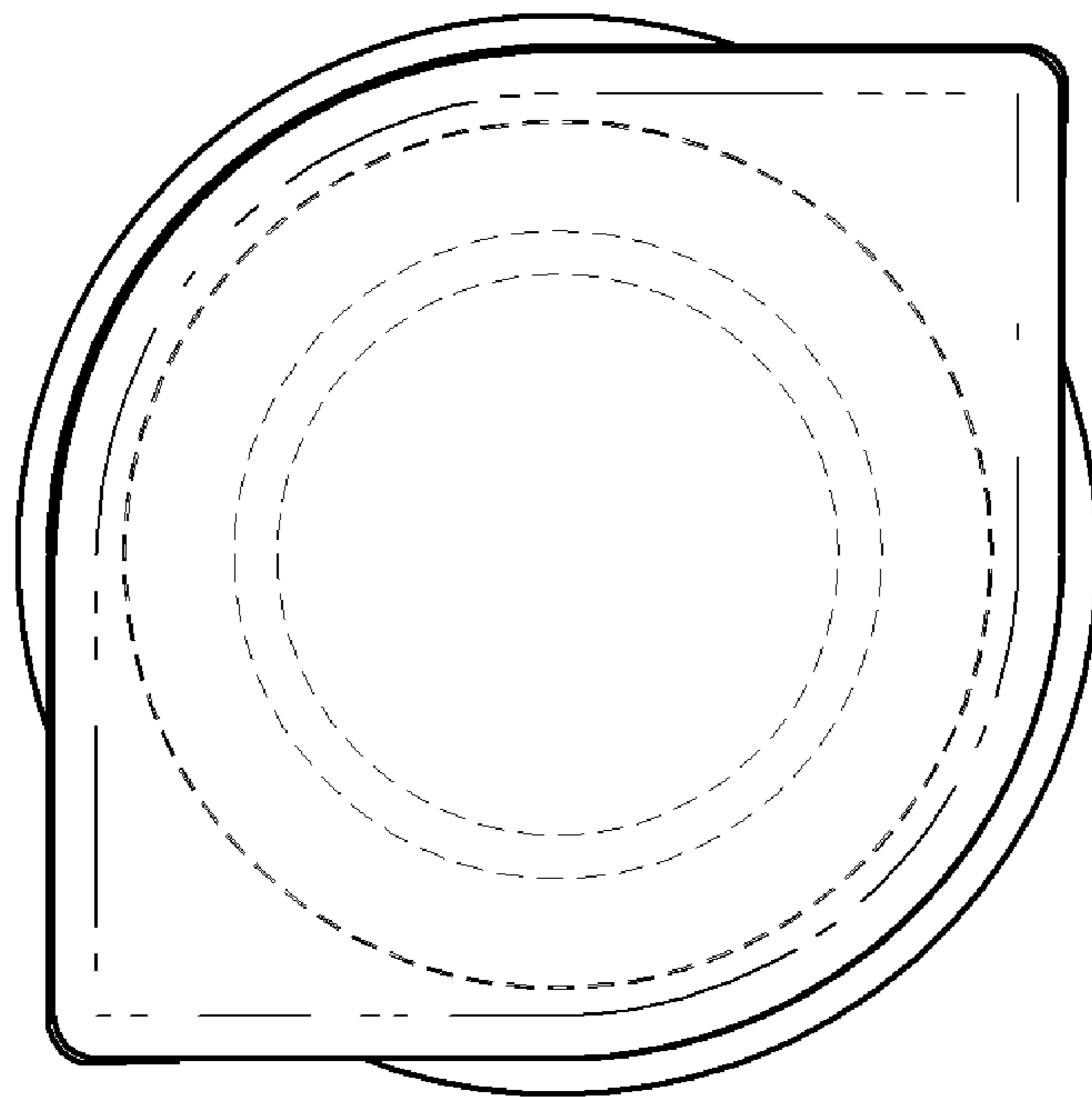


FIG. 12

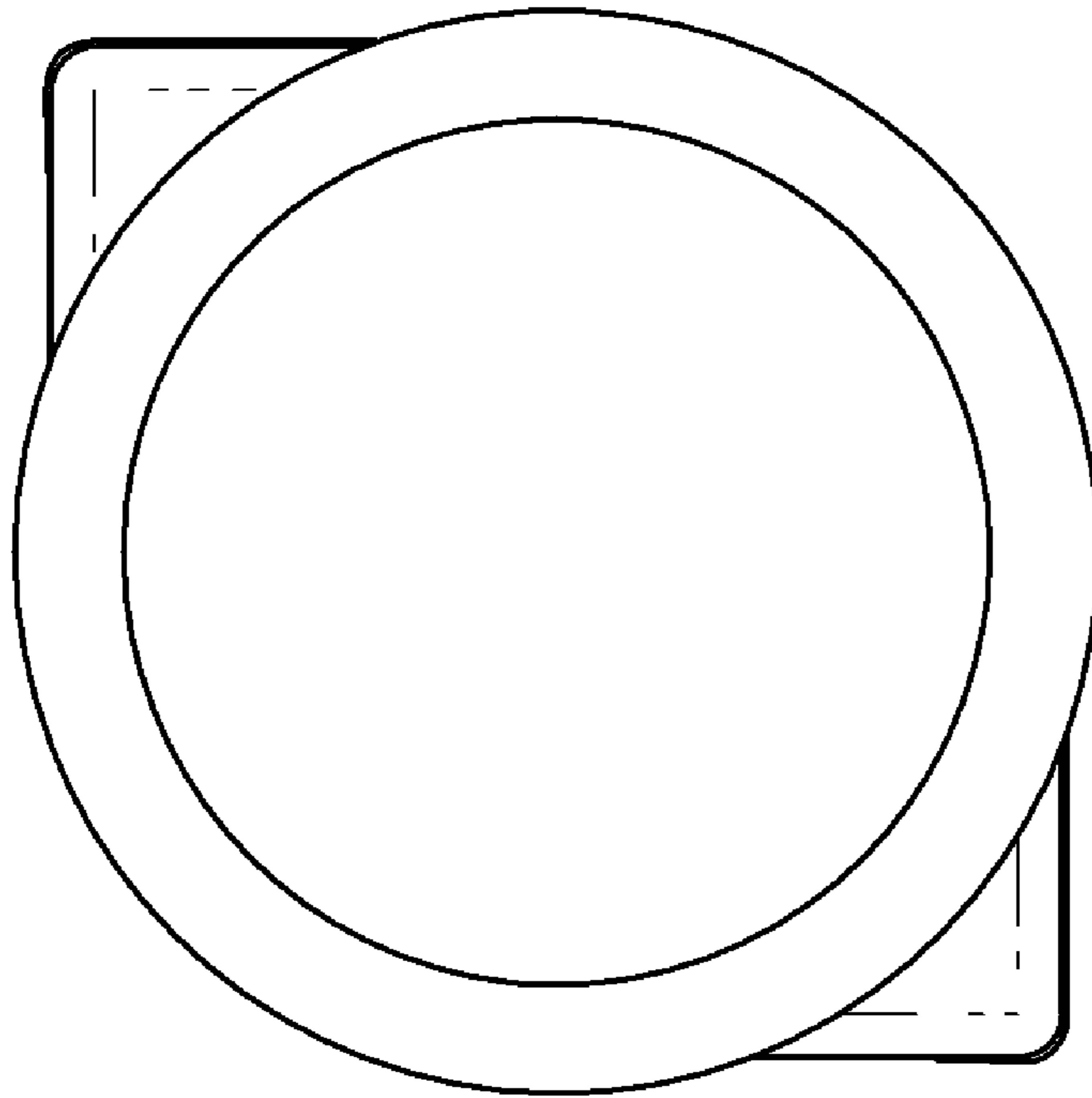


FIG. 13

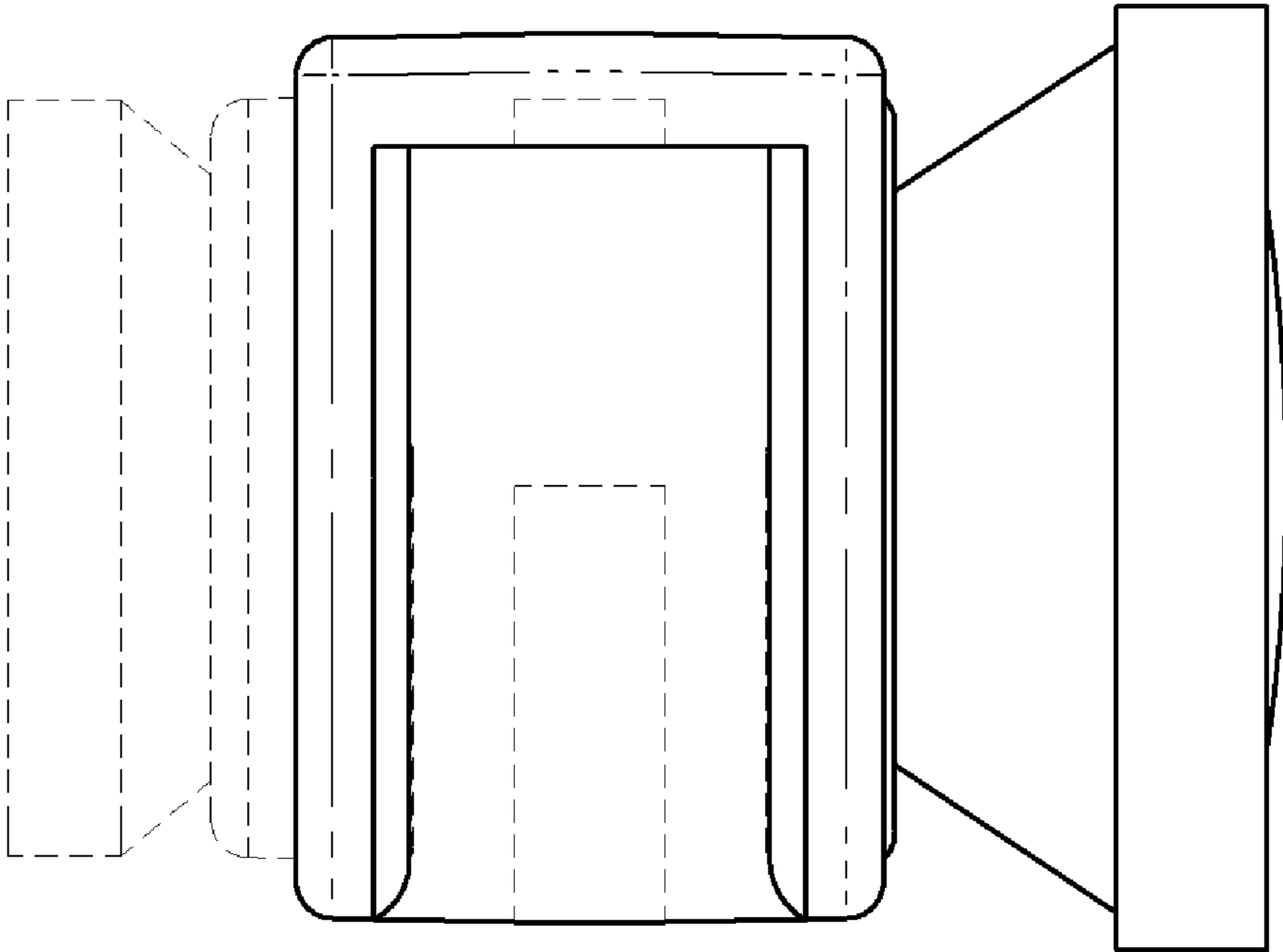


FIG. 14

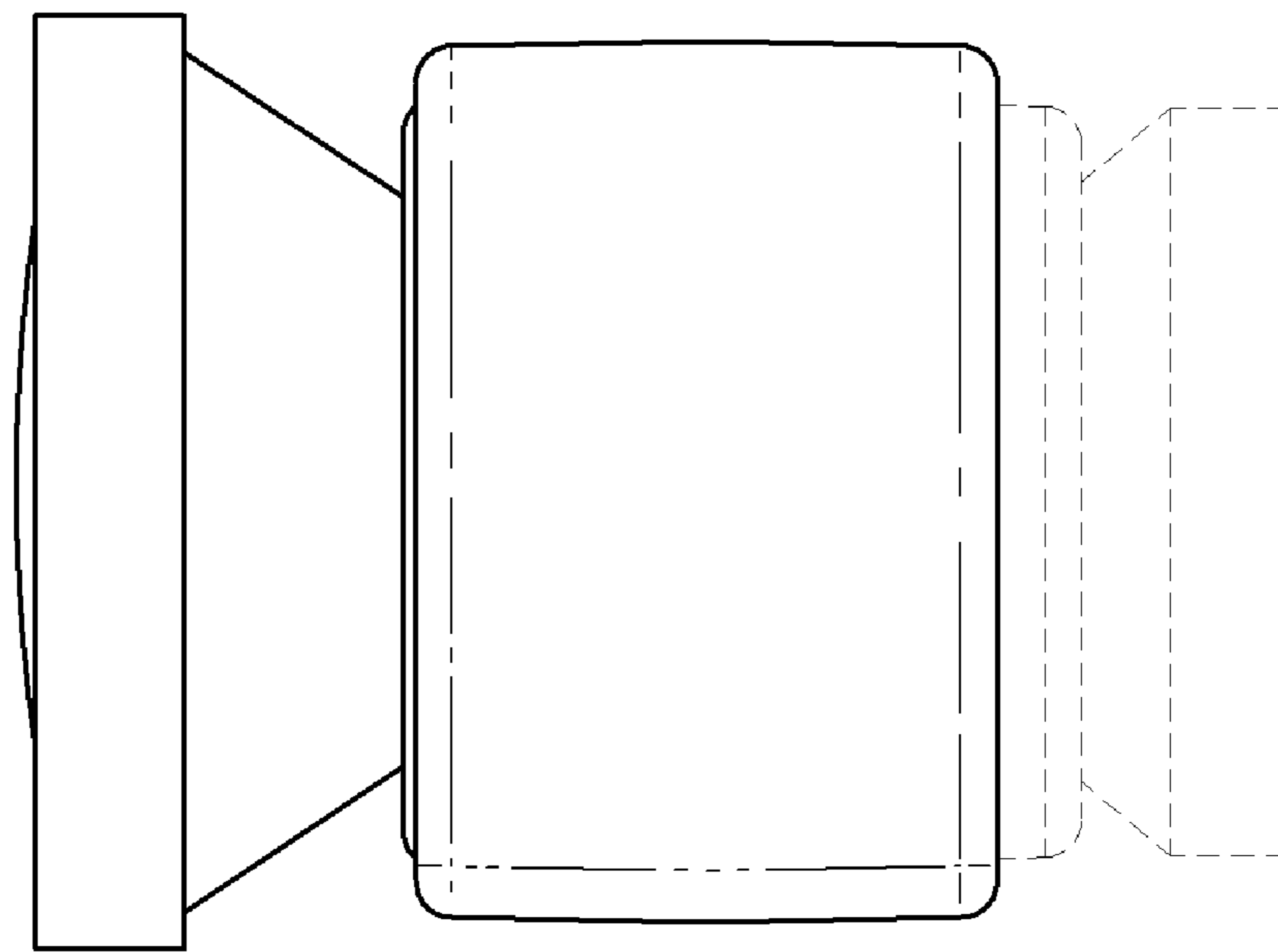


FIG. 15

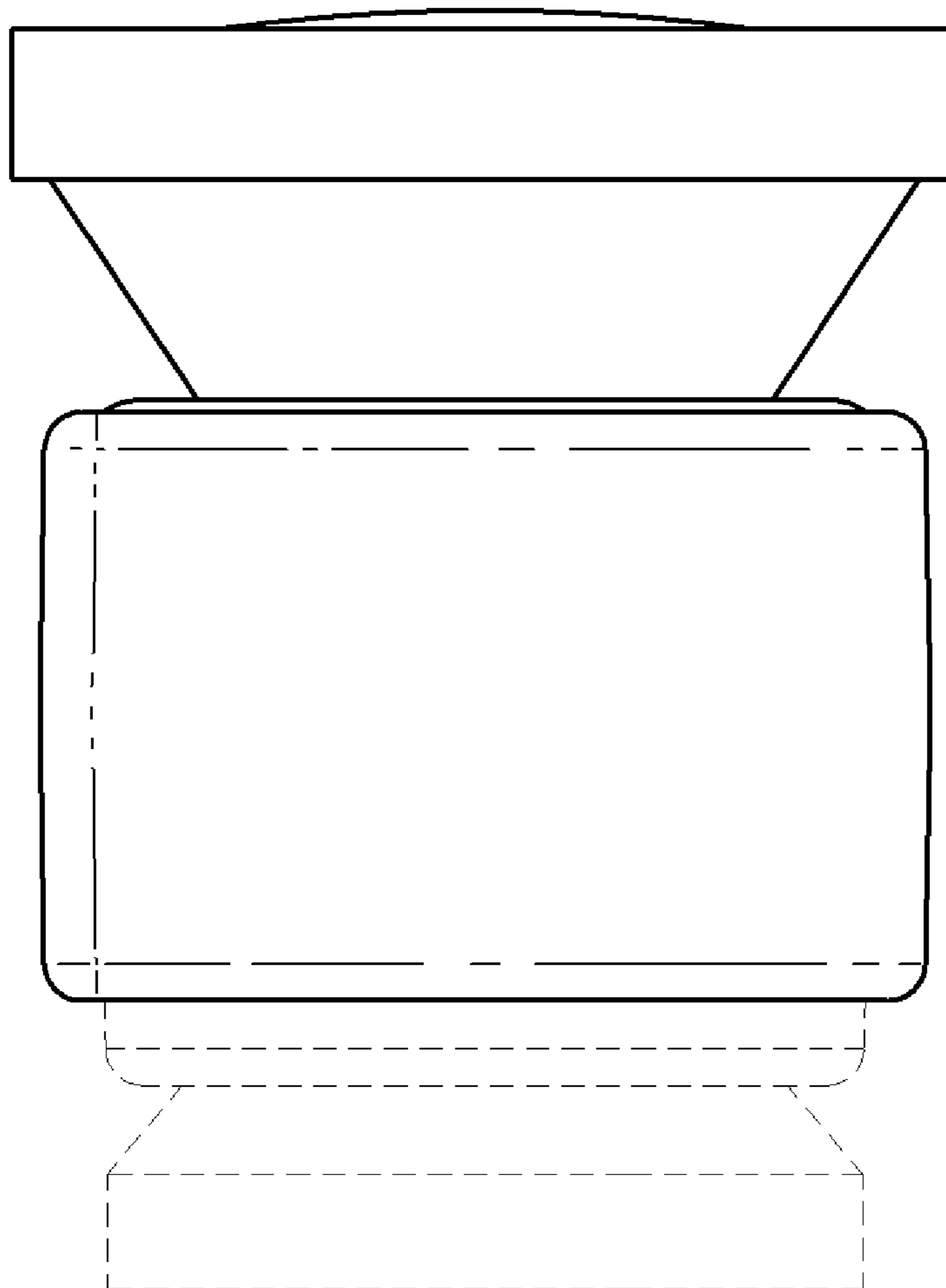


FIG. 16

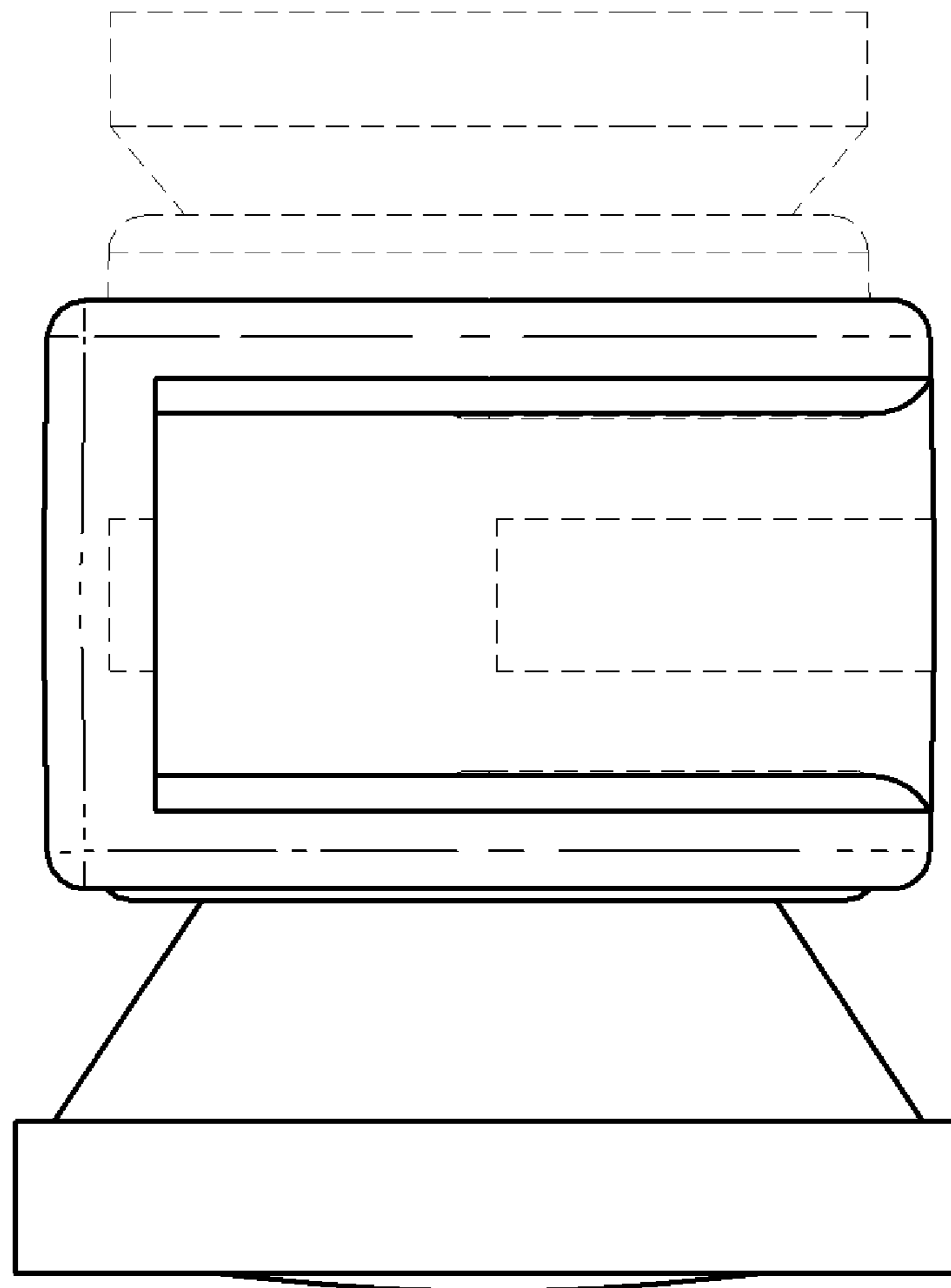


FIG. 17

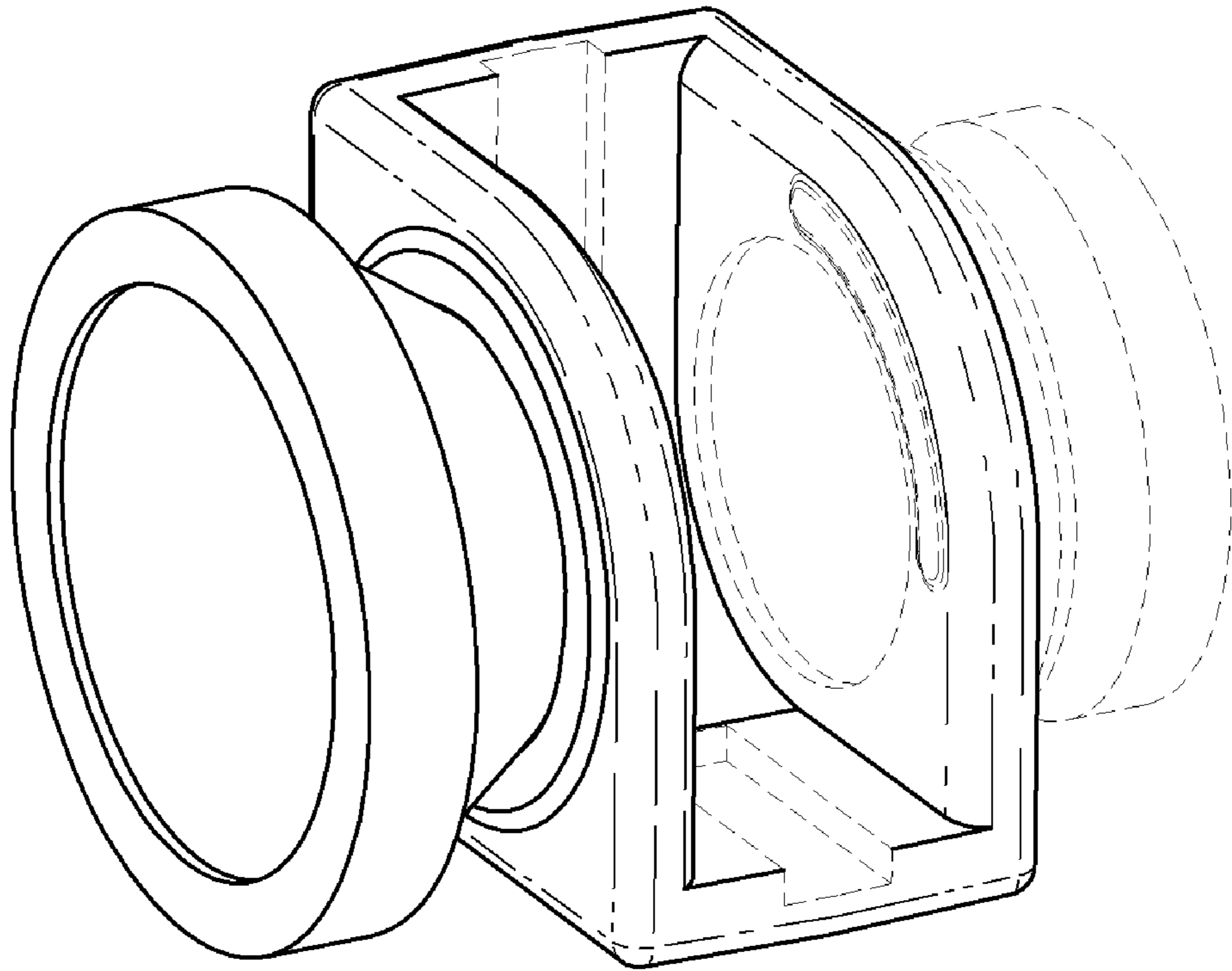


FIG. 18

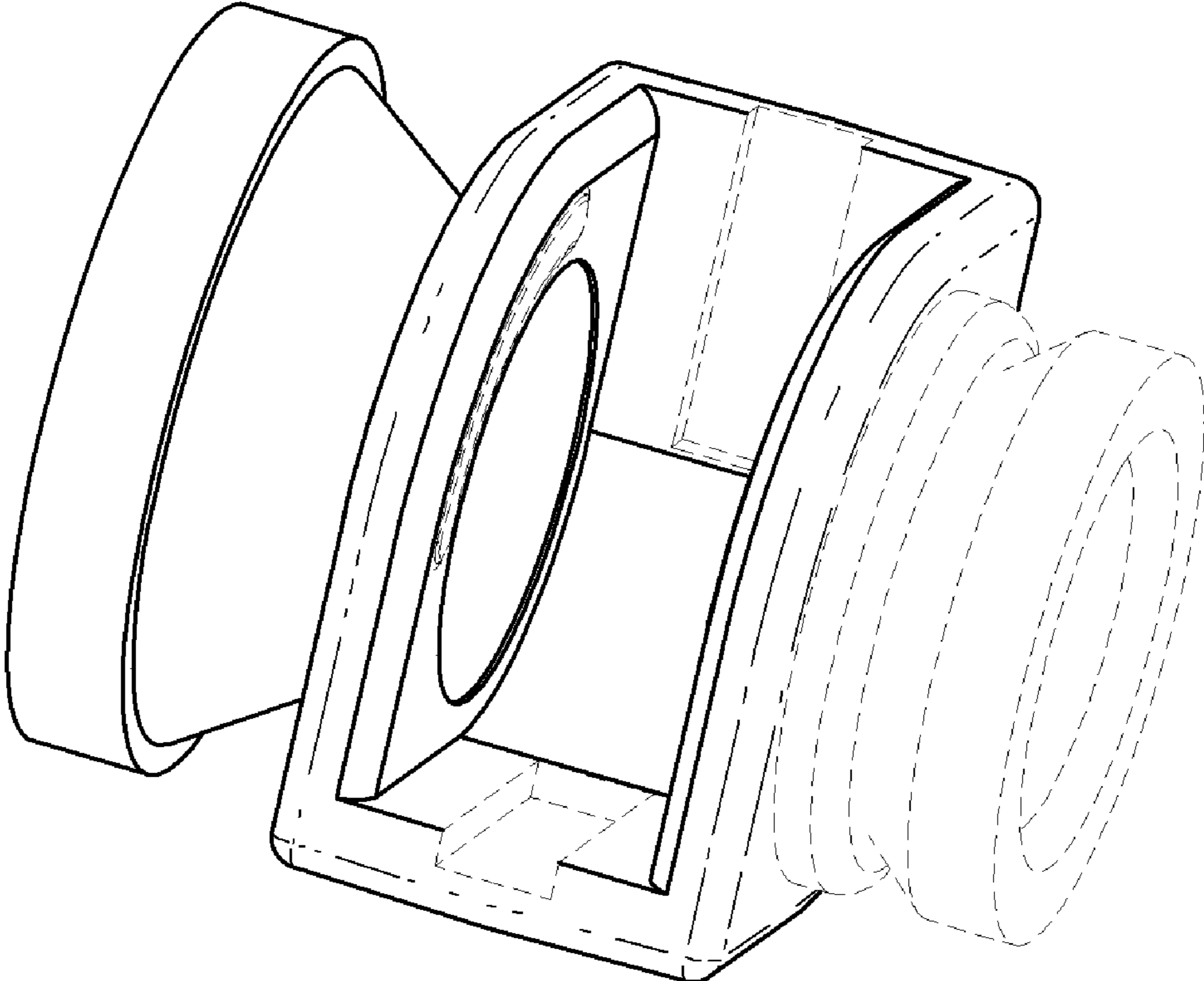


FIG. 19

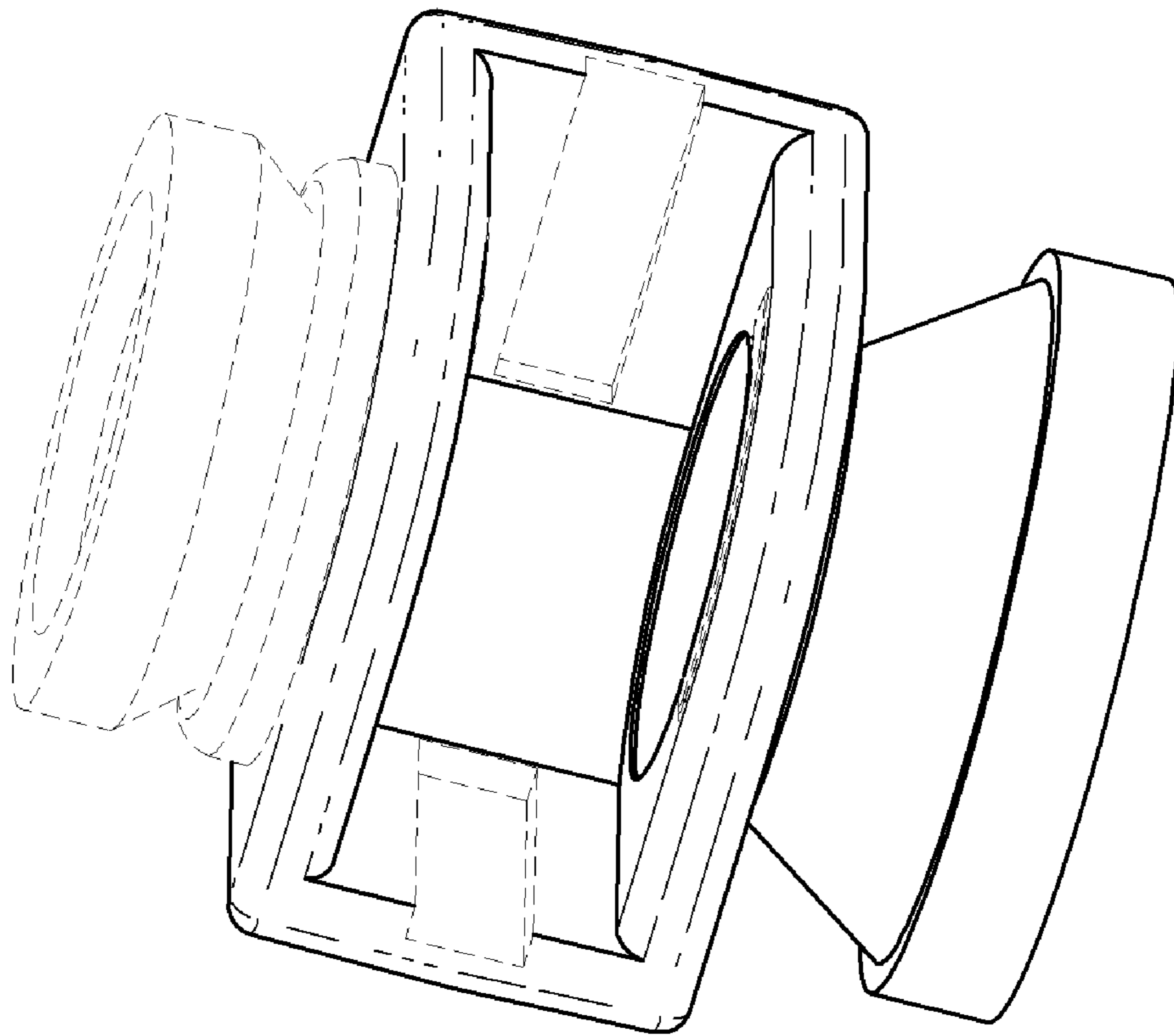


FIG. 20

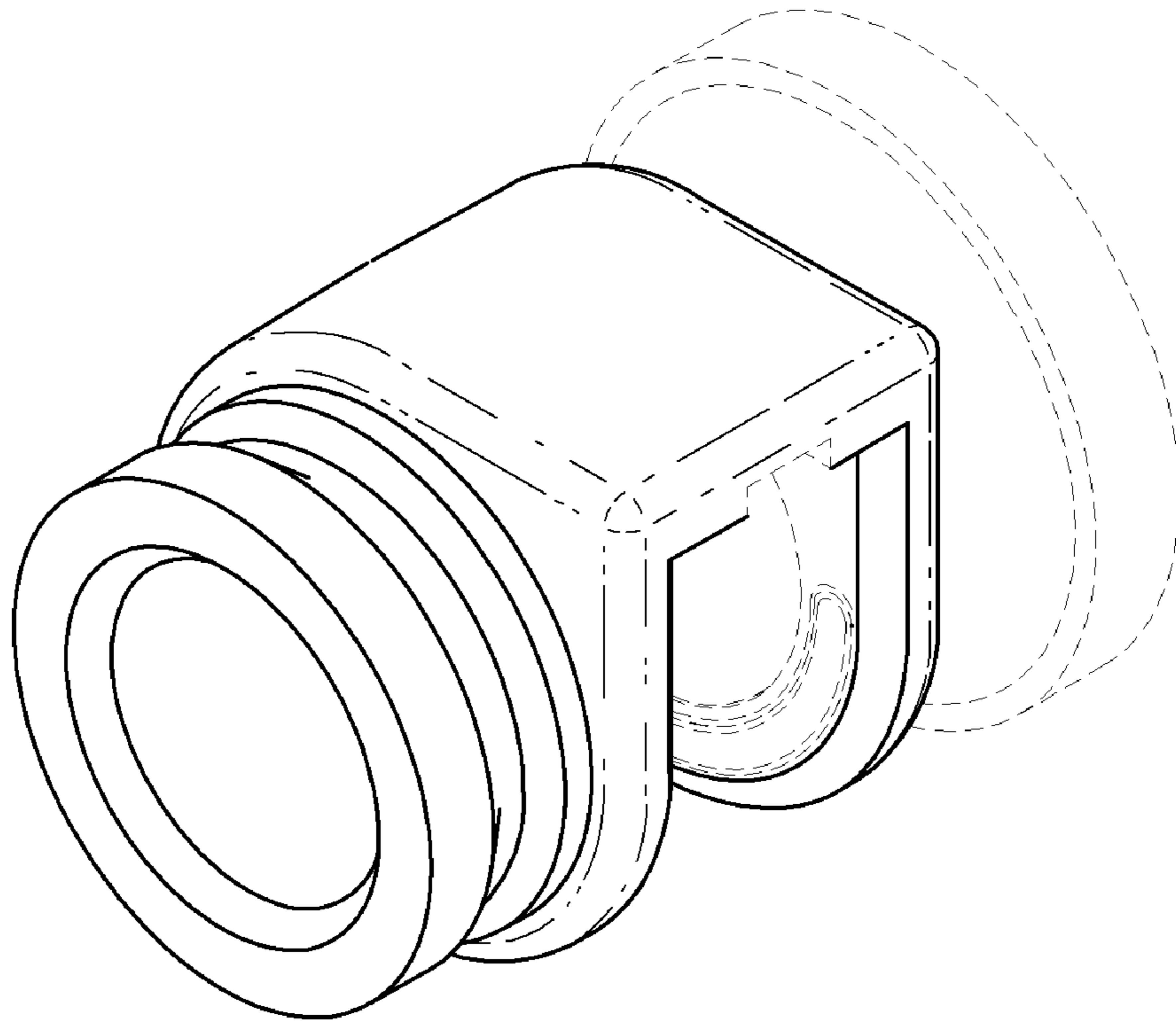


FIG. 21

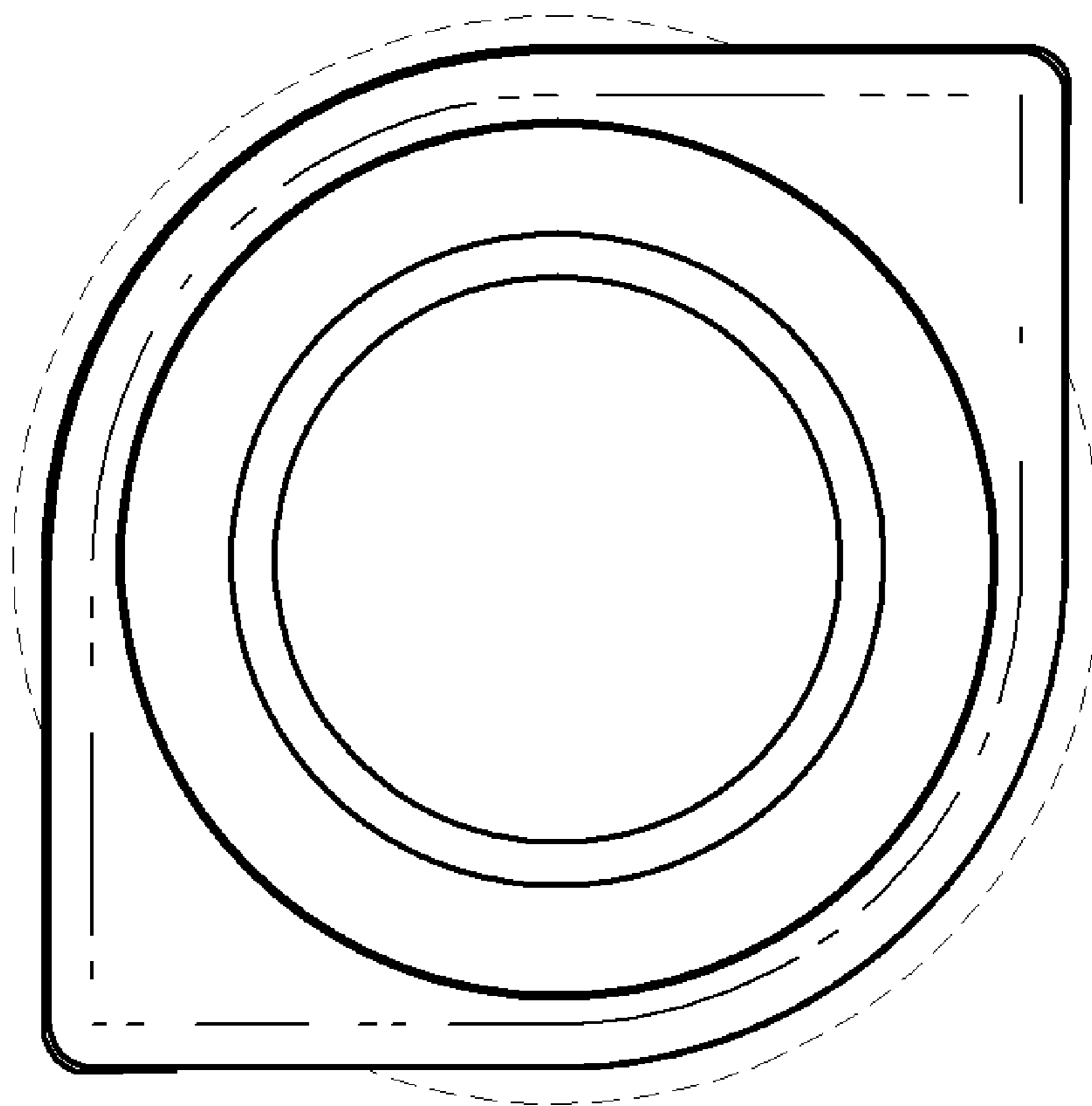


FIG. 22

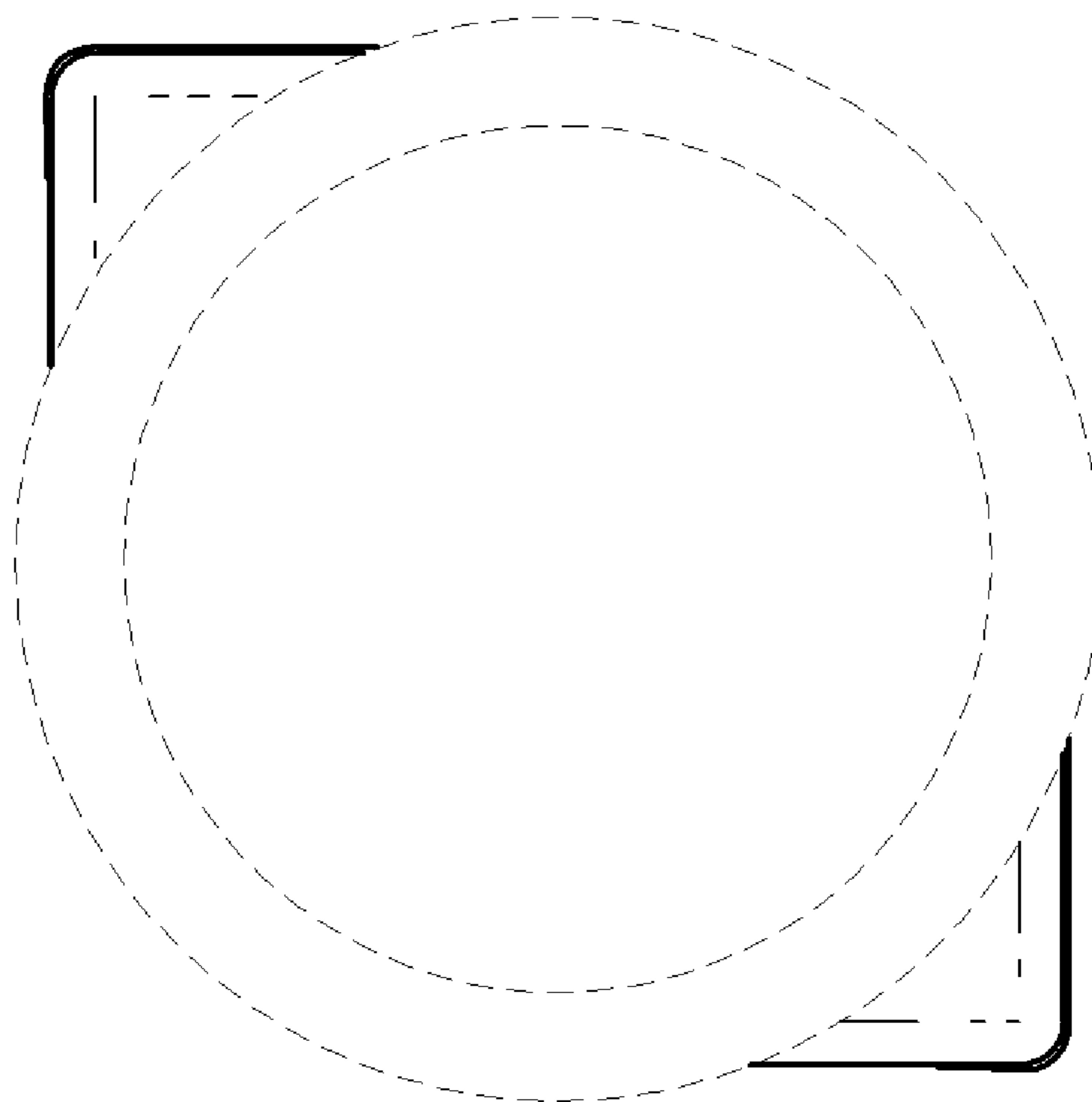


FIG. 23

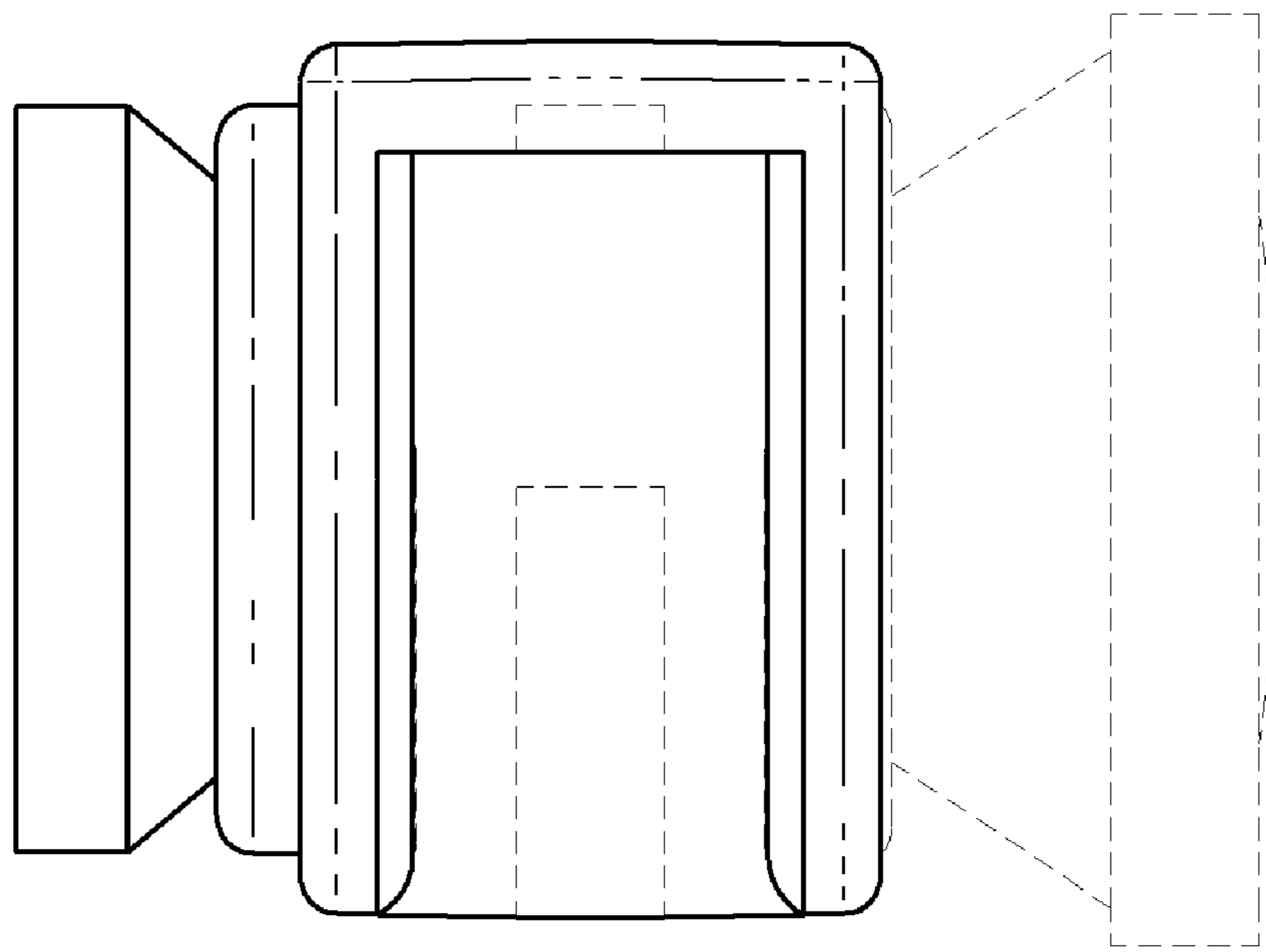


FIG. 24

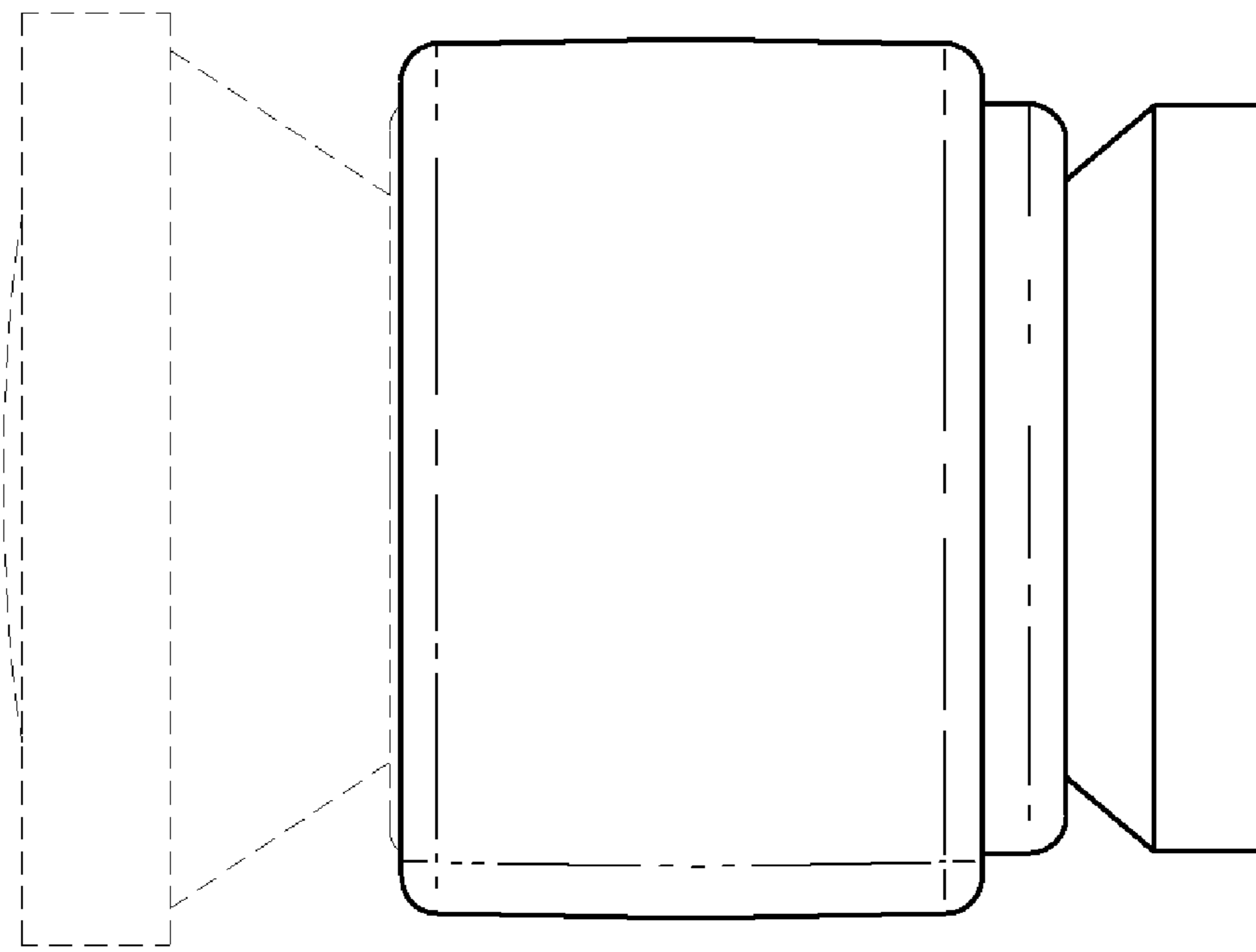


FIG. 25

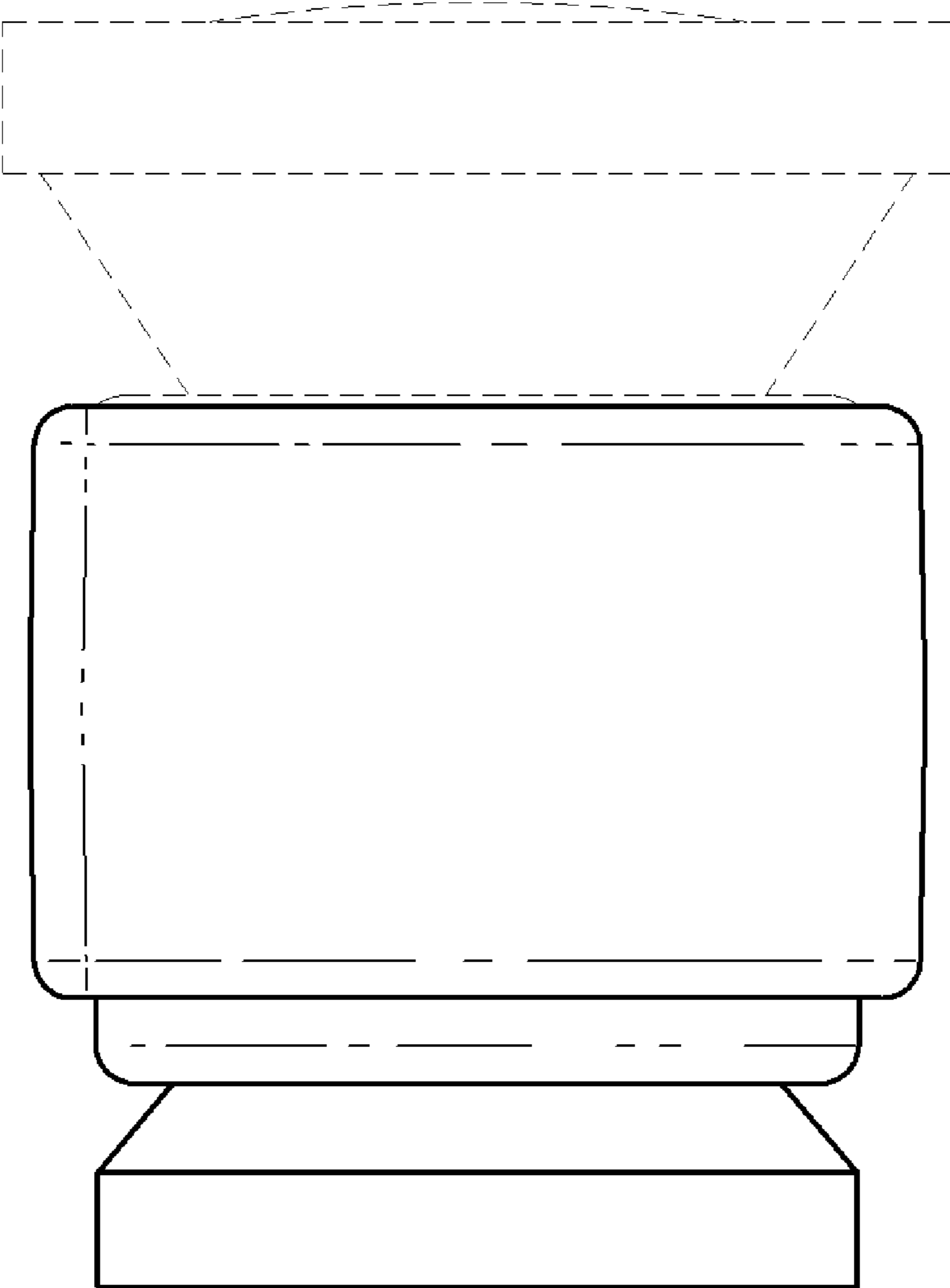


FIG. 26

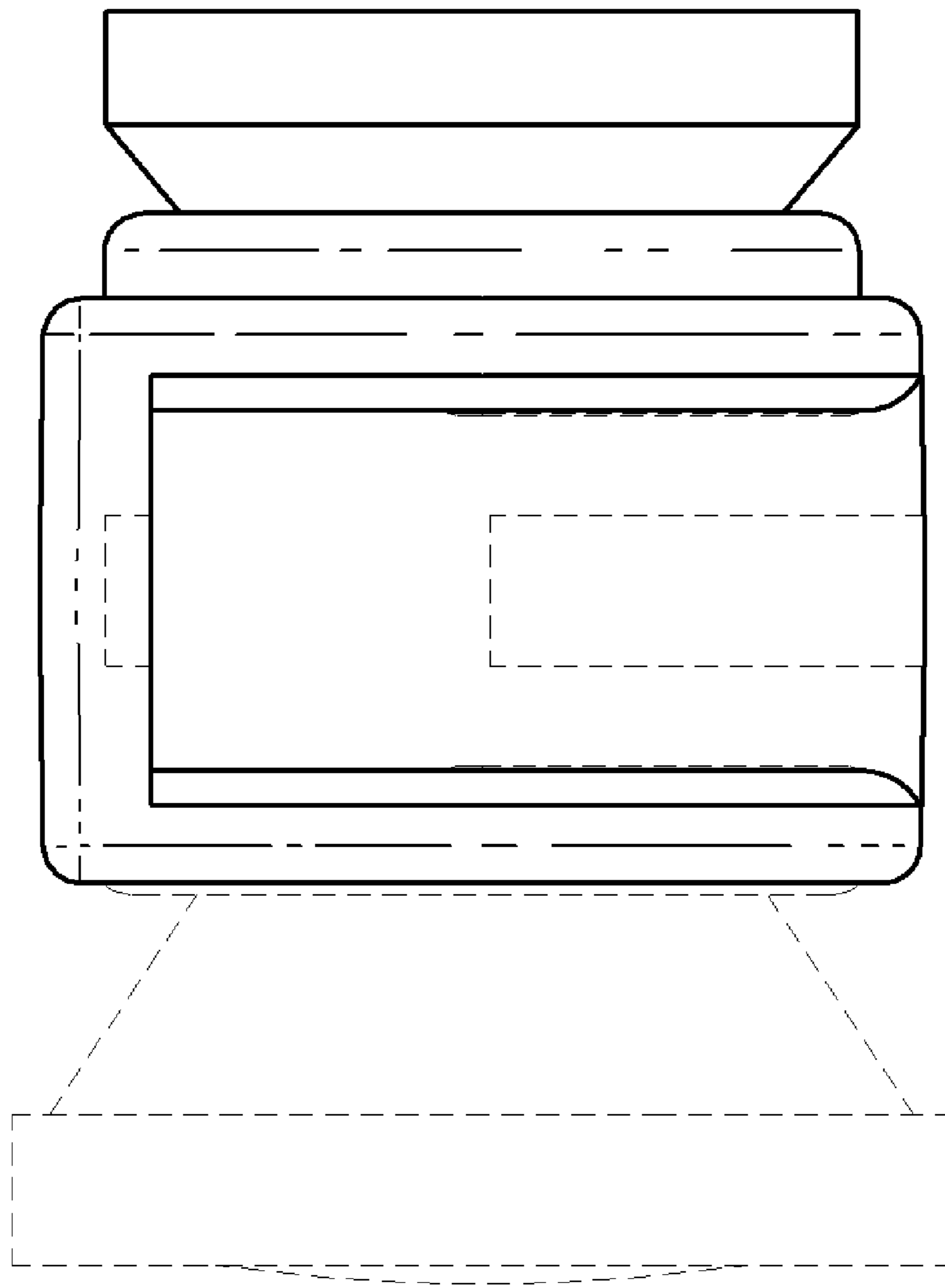


FIG. 27

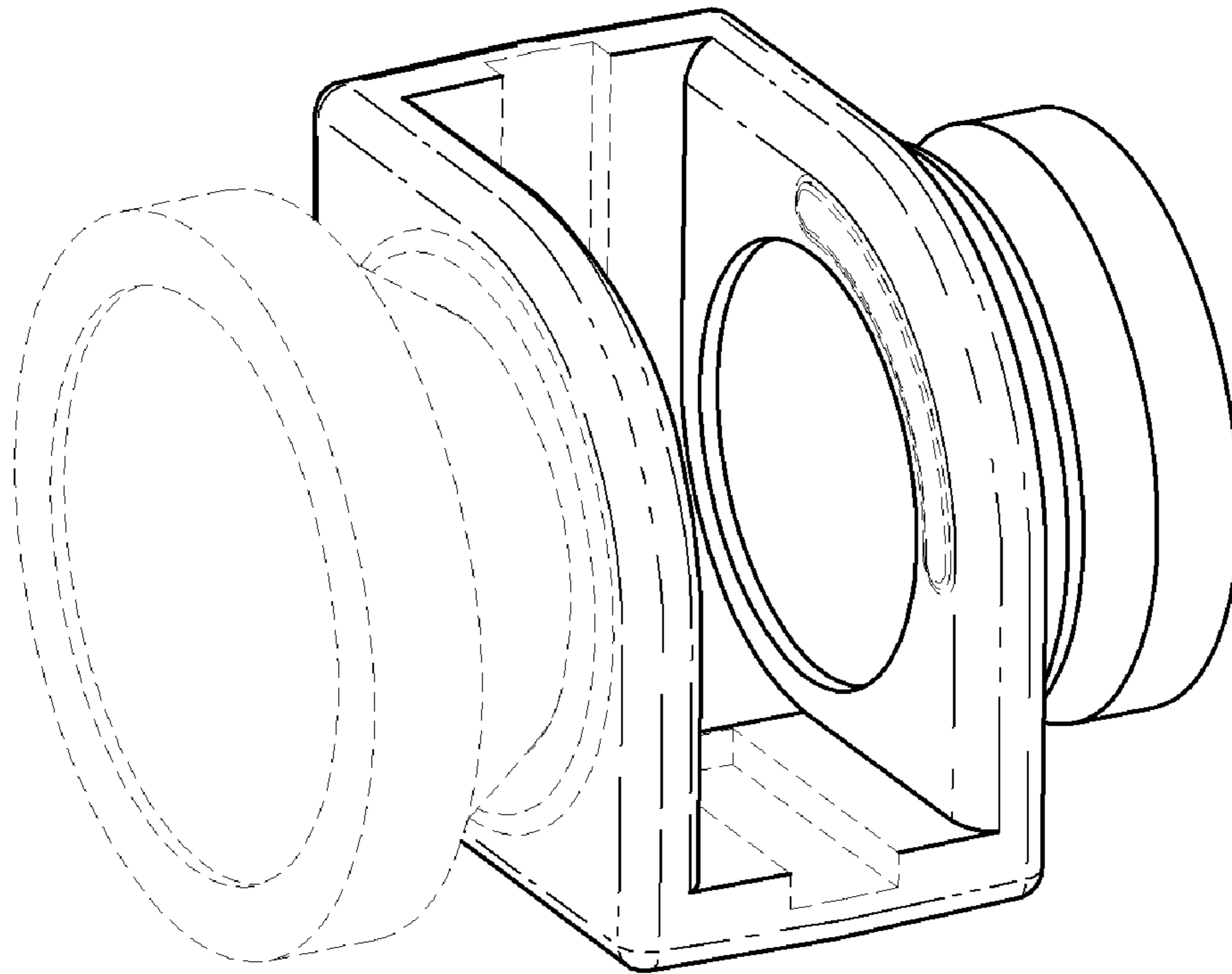


FIG. 28

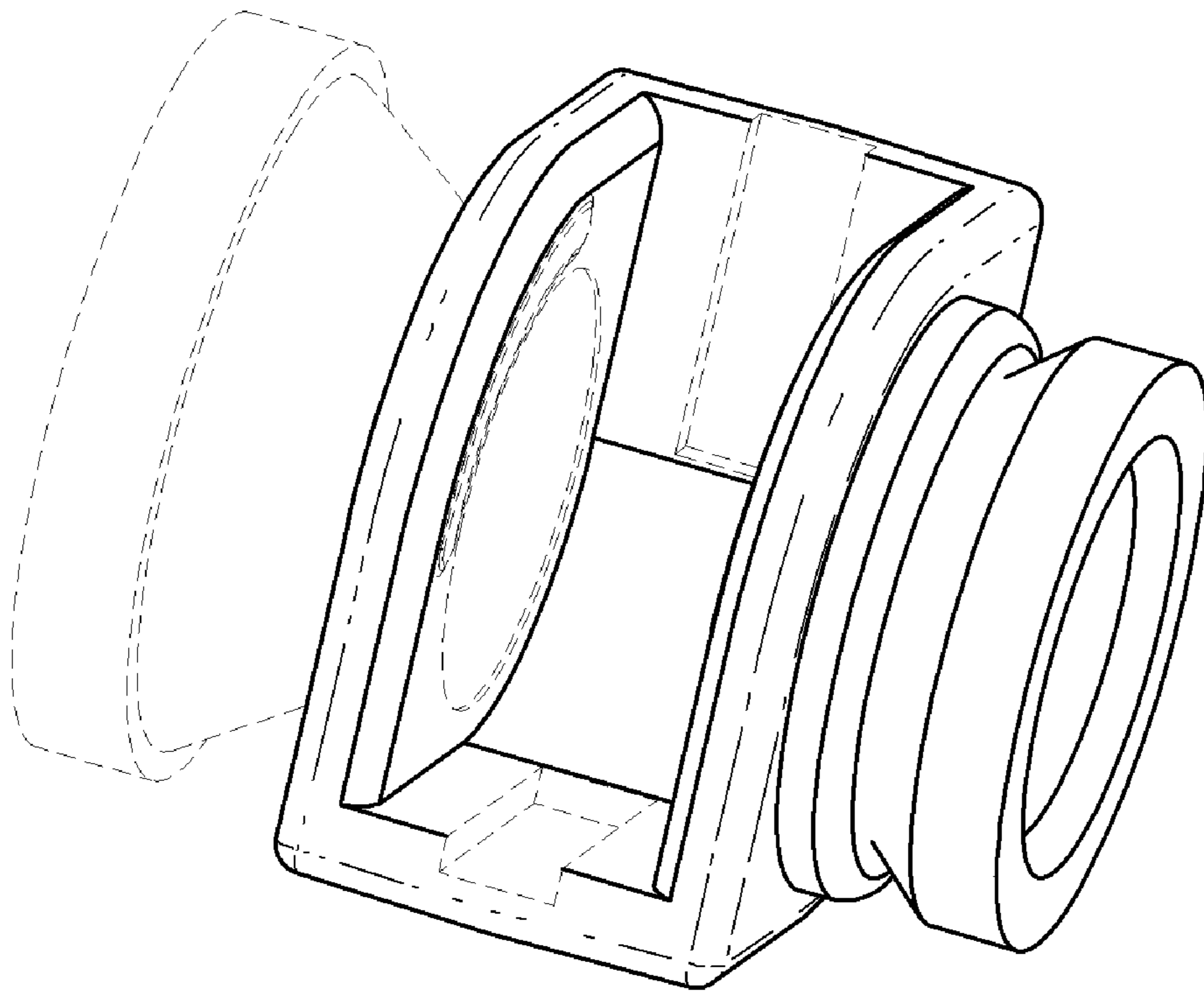


FIG. 29

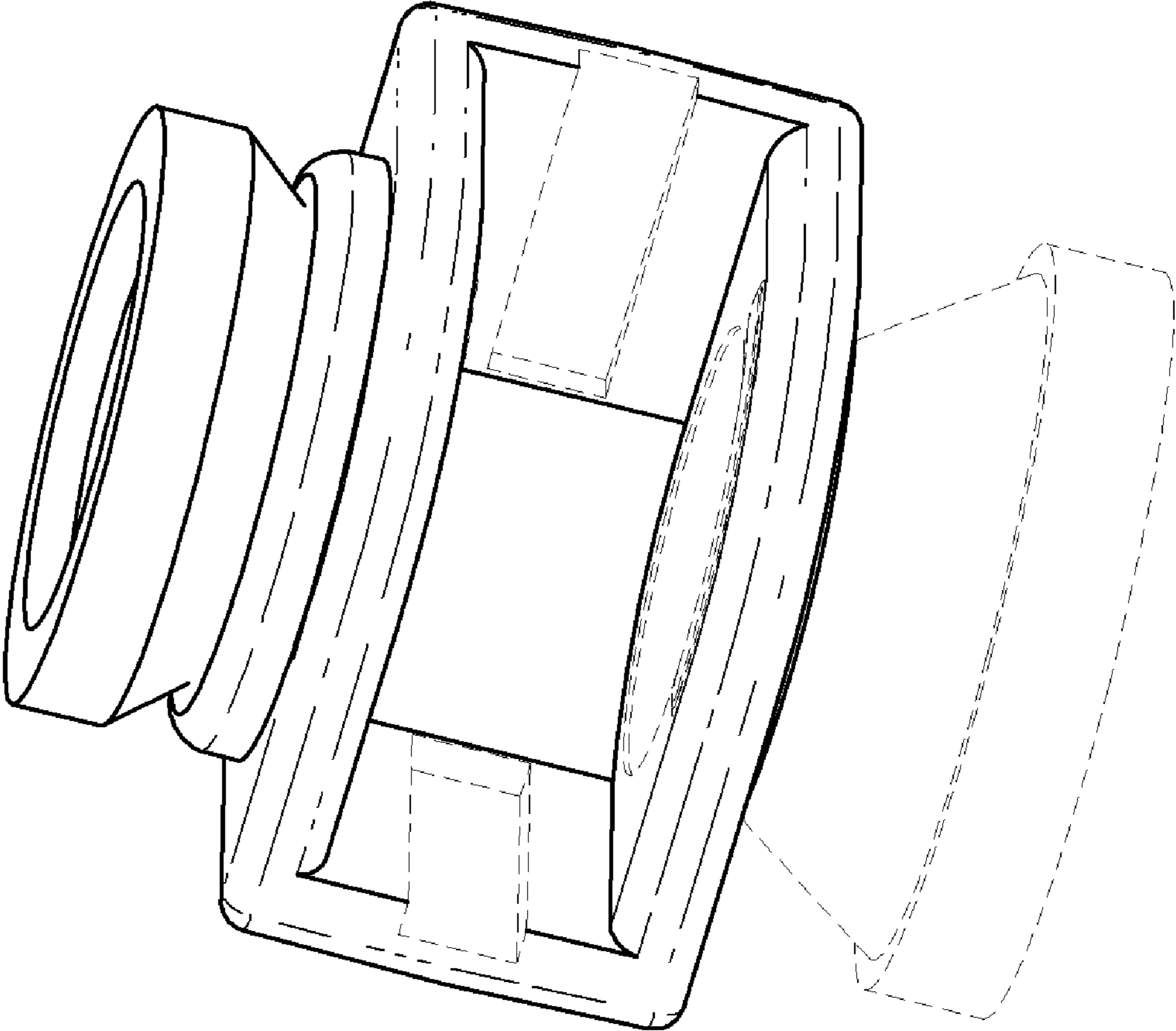


FIG. 30

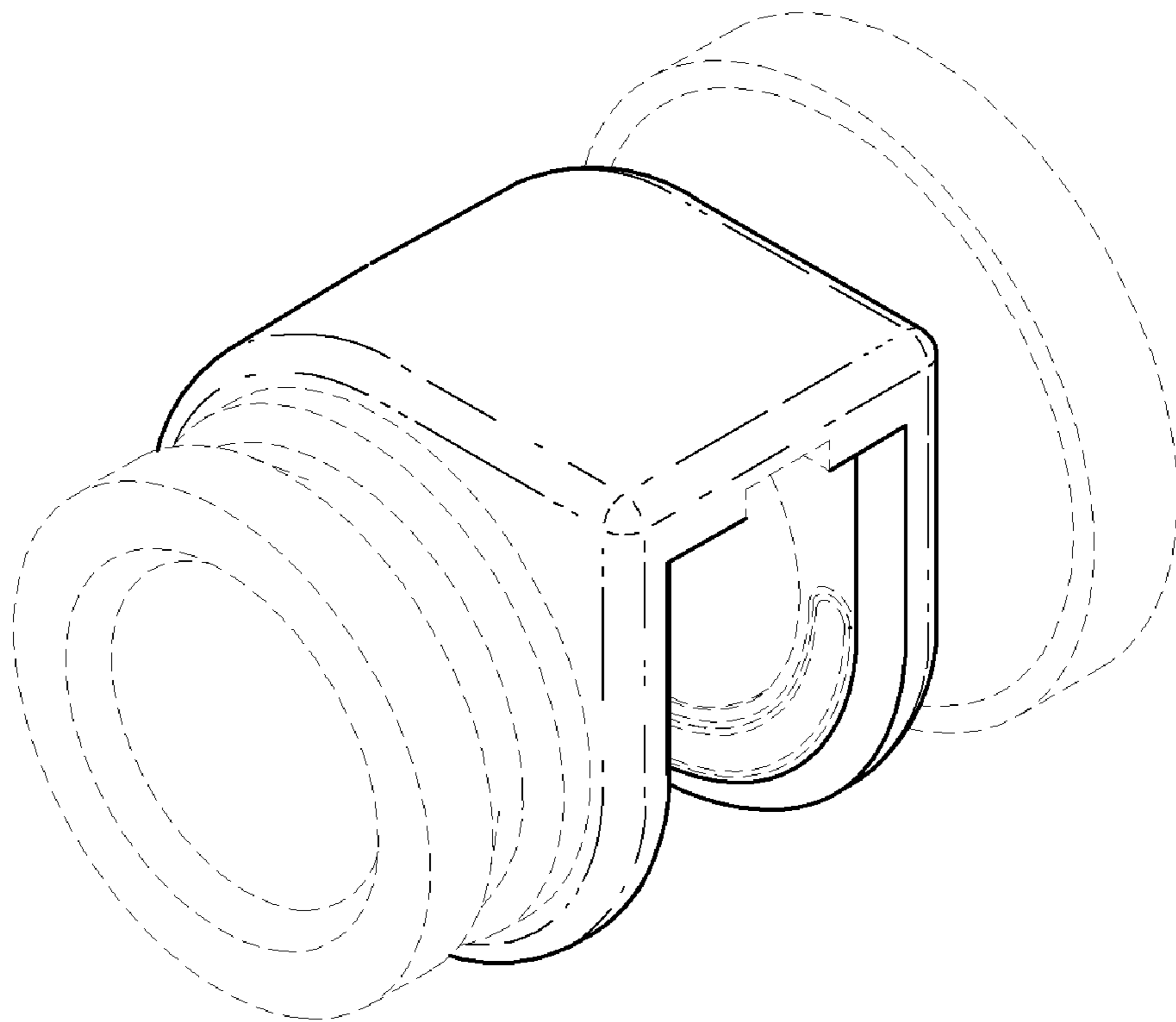


FIG. 31

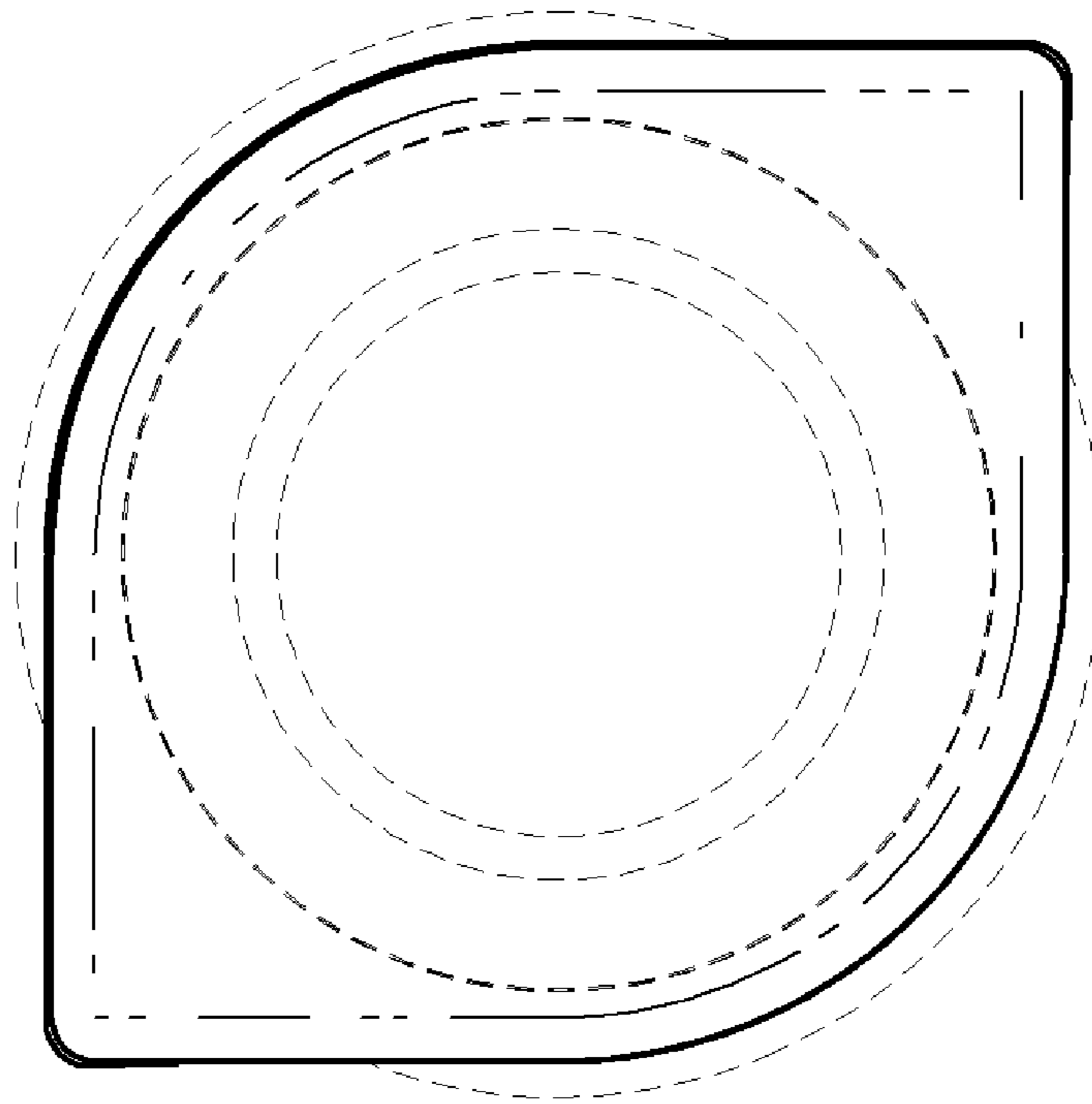


FIG. 32

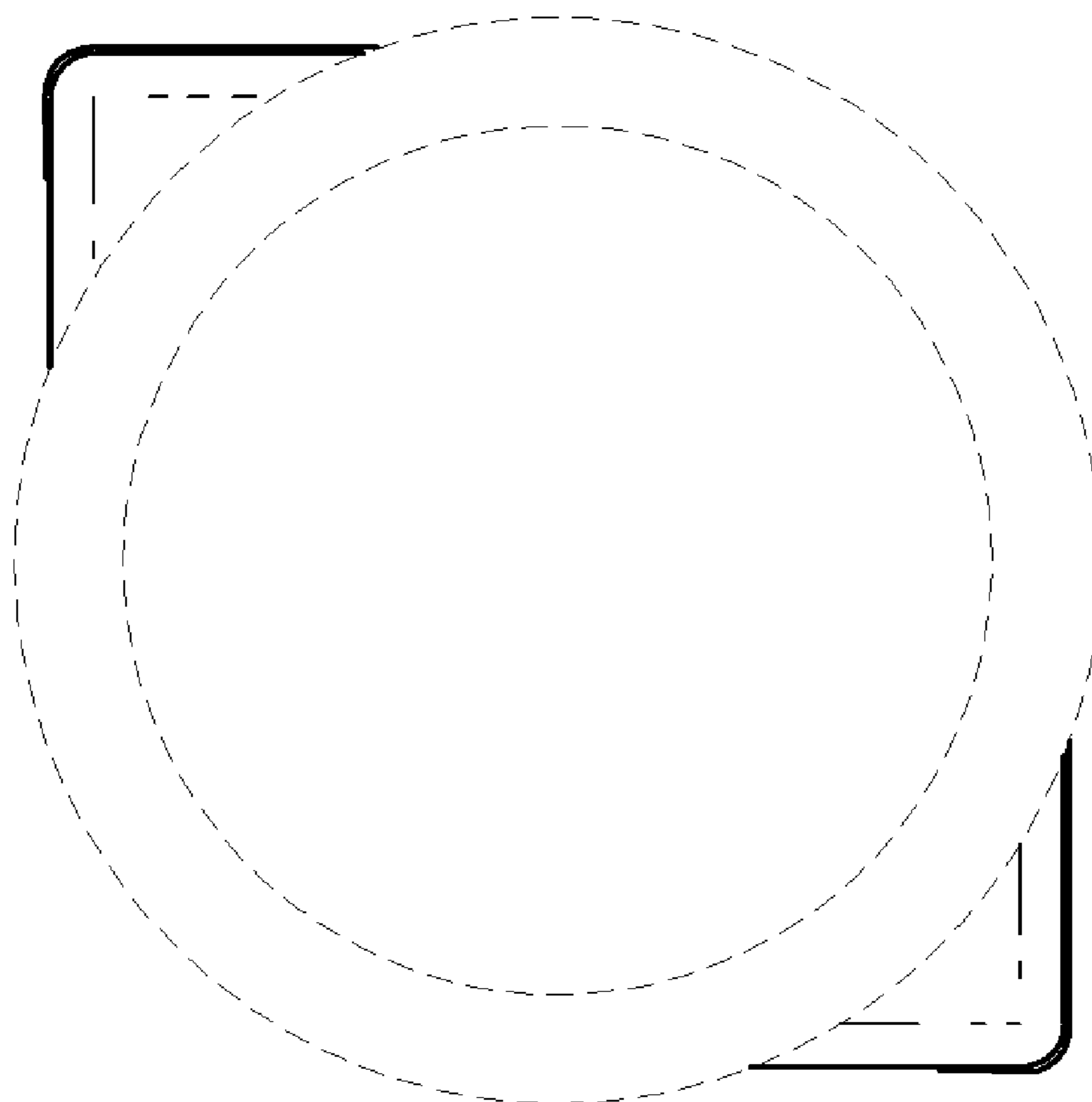


FIG. 33

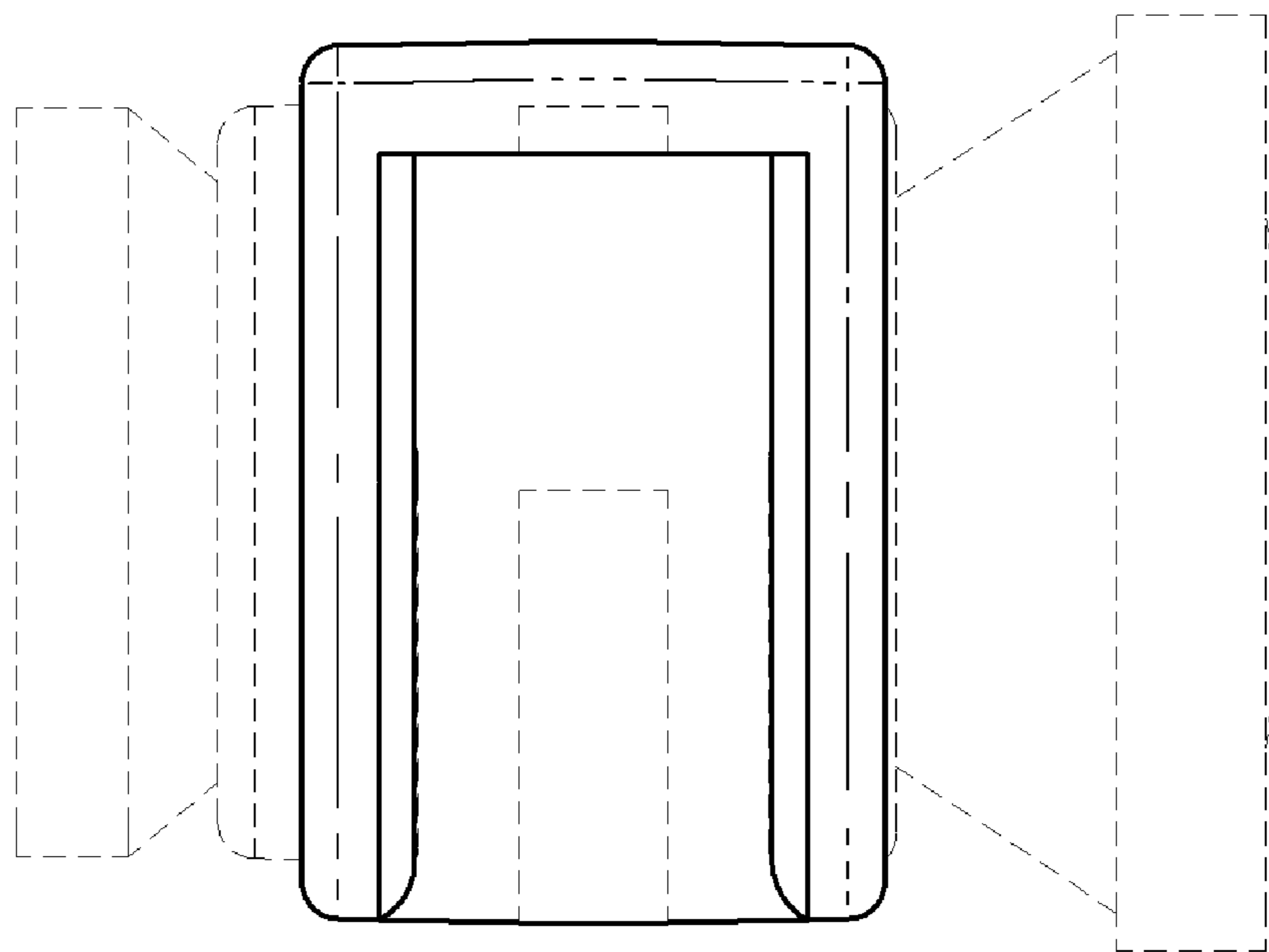


FIG. 34

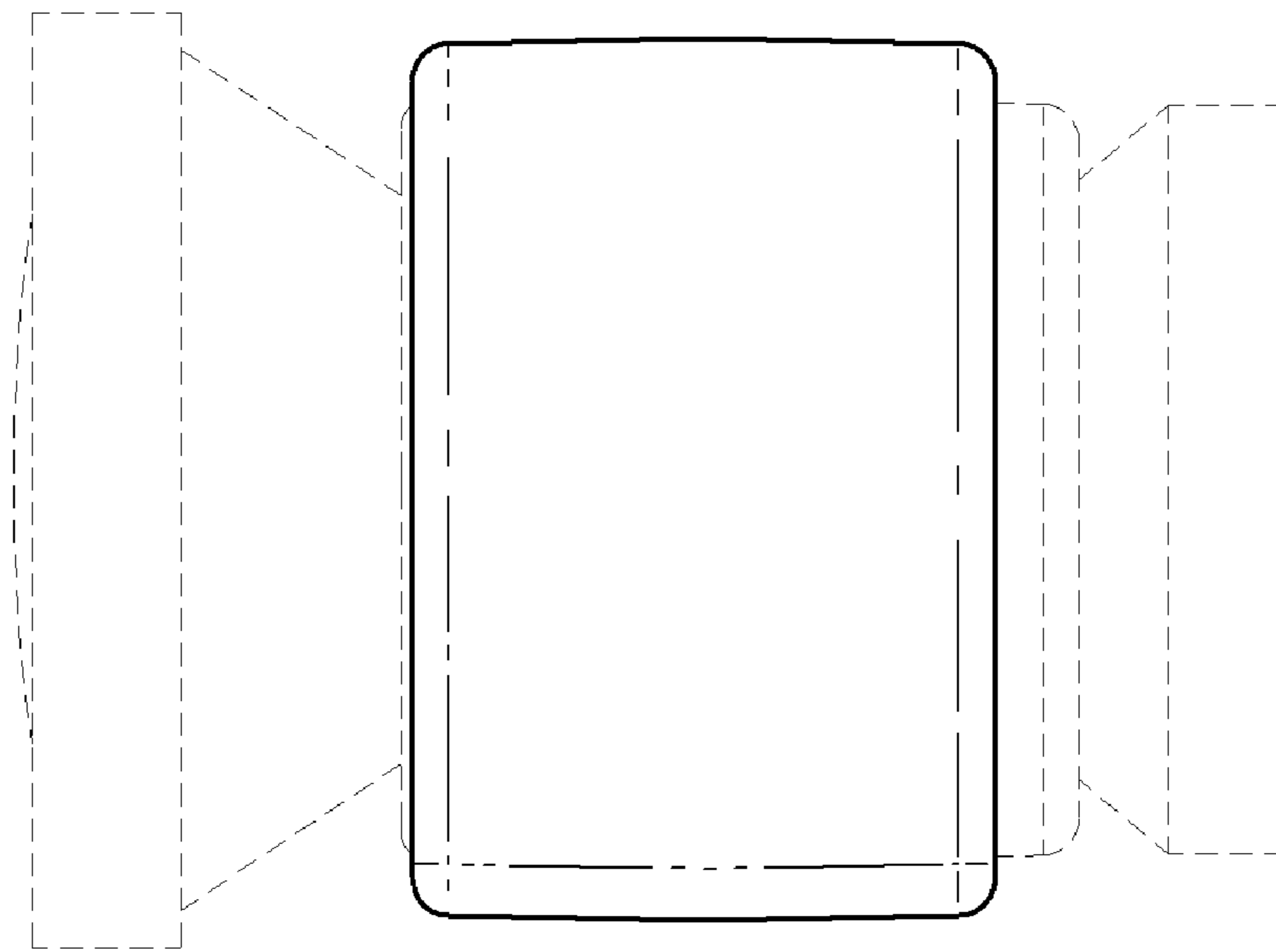


FIG. 35

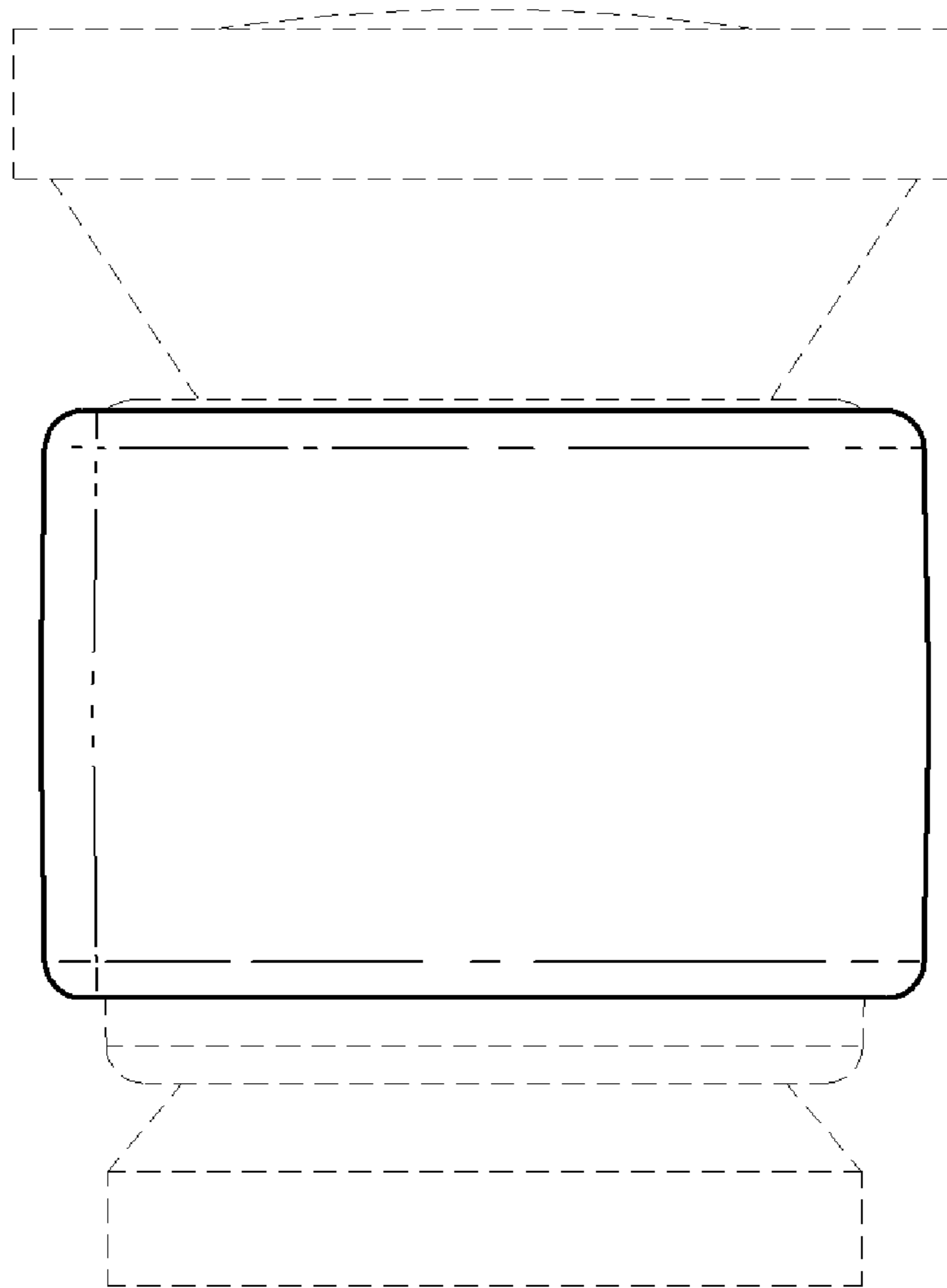


FIG. 36

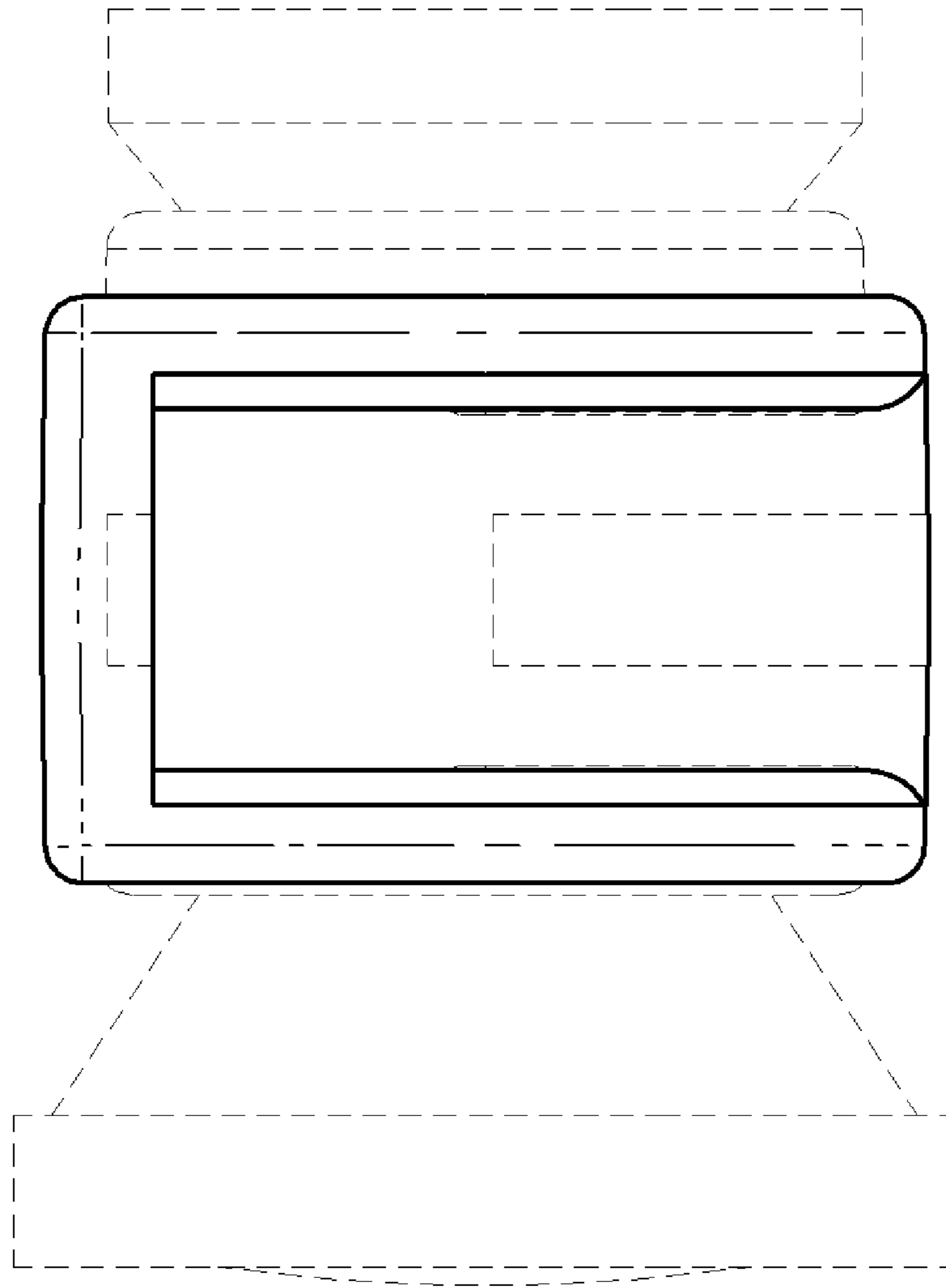


FIG. 37

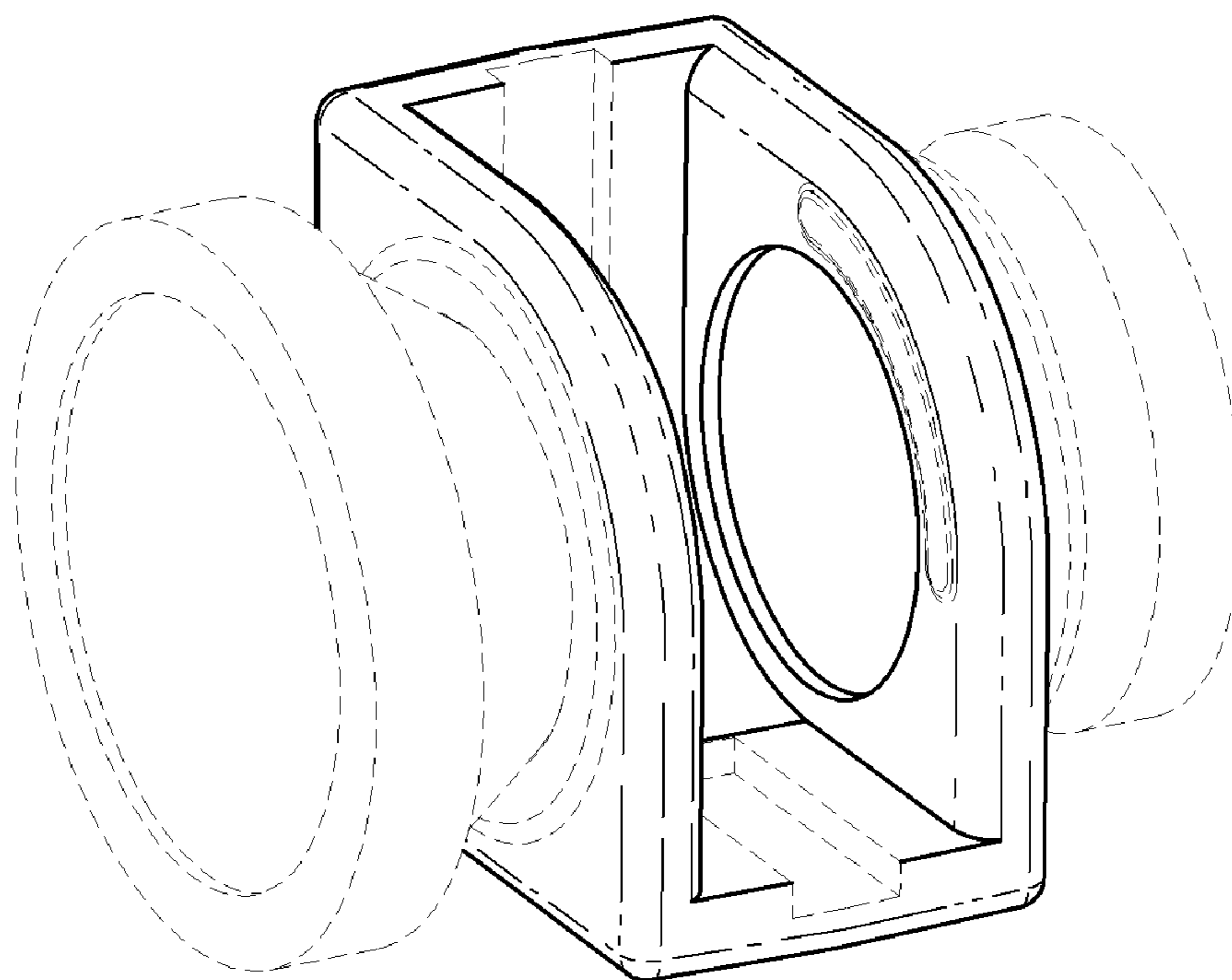


FIG. 38

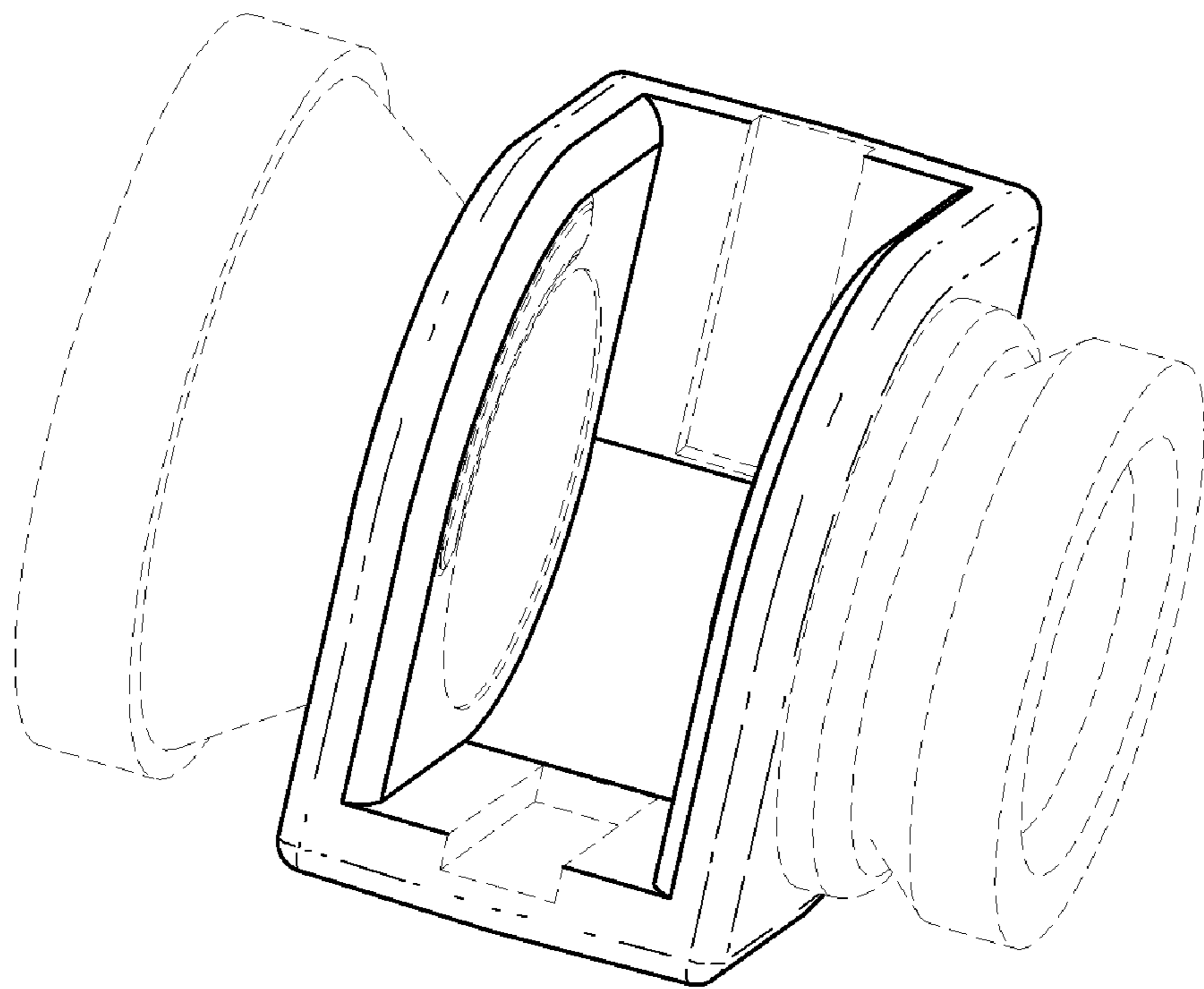


FIG. 39

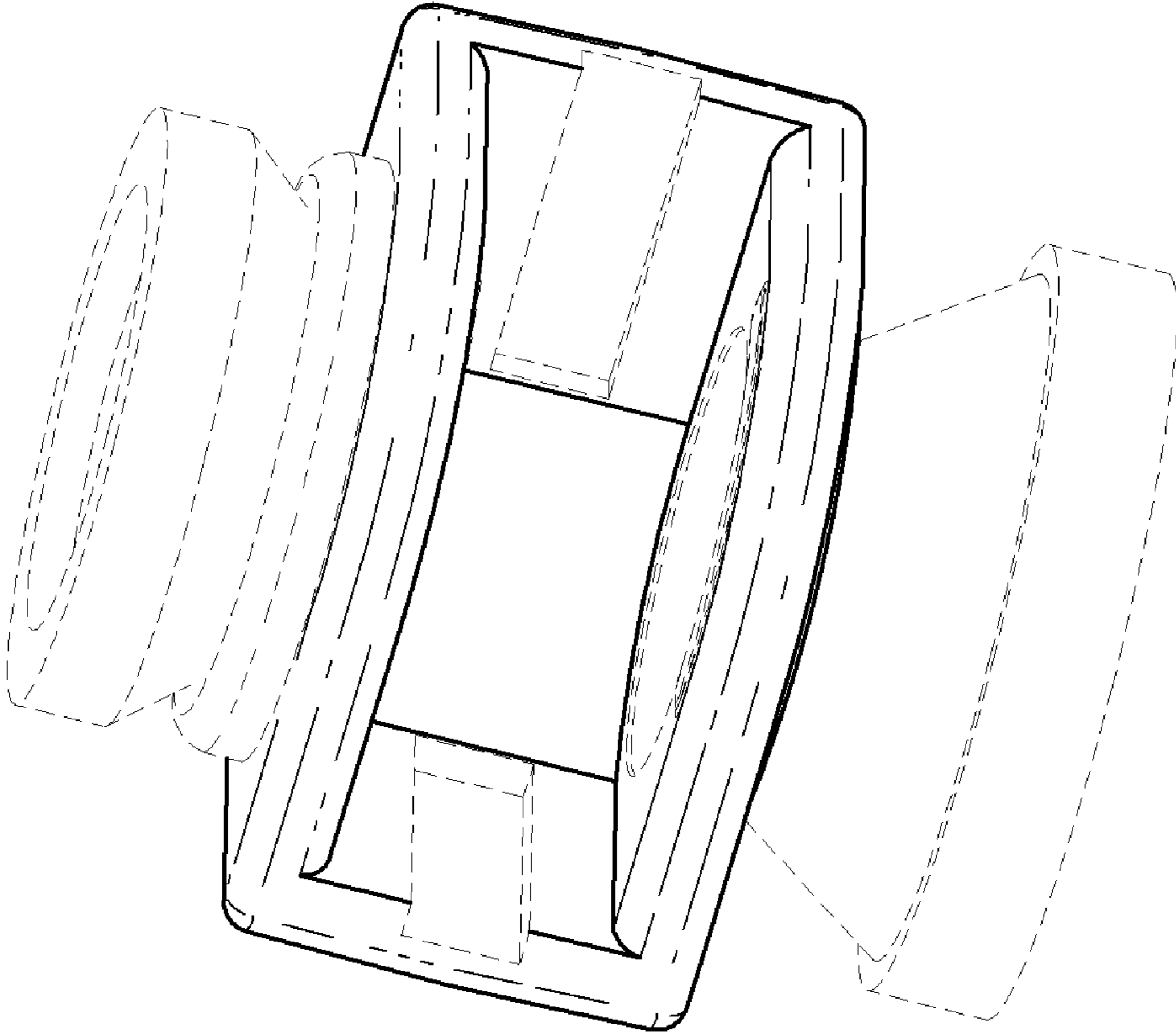


FIG. 40