



US00D678378S

(12) **United States Design Patent**  
**Selic**

(10) **Patent No.:** **US D678,378 S**  
(45) **Date of Patent:** **\*\* Mar. 19, 2013**

(54) **ROBOT**  
(71) Applicant: **KUKA Roboter GmbH**, Augsburg (DE)  
(72) Inventor: **Mario Selic**, Augsburg (DE)  
(73) Assignee: **KUKA Roboter GmbH**, Augsburg (DE)

(\*\*) Term: **14 Years**

(21) Appl. No.: **29/436,480**

(22) Filed: **Nov. 6, 2012**

(51) **LOC (9) Cl.** ..... **15-99**

(52) **U.S. Cl.** ..... **D15/199**

(58) **Field of Classification Search** ..... D15/122,  
D15/199; D24/176; 74/490.01, 490.02,  
74/490.03, 490.05; 198/367, 370.1, 370.04,  
198/722, 771, 782, 866, 890, 890.1; 219/124.34,  
219/639; 318/560; 414/744.1, 935, 936,  
414/937, 938, 940; 700/150

See application file for complete search history.

(56) **References Cited**

**U.S. PATENT DOCUMENTS**

D300,935 S *	5/1989	Maddock et al. ....	D15/199
D334,581 S *	4/1993	Yoshikawa et al. ....	D15/199
D440,241 S *	4/2001	Kawahara et al. ....	D15/199
D443,287 S *	6/2001	Kawahara et al. ....	D15/199
D615,574 S *	5/2010	Liu et al. ....	D15/199
D616,477 S *	5/2010	Long et al. ....	D15/199
D616,909 S *	6/2010	Long .....	D15/199
D624,104 S *	9/2010	Miyake et al. ....	D15/199
D629,030 S *	12/2010	Long et al. ....	D15/199
D638,043 S *	5/2011	Tsuchiya et al. ....	D15/199

D638,044 S *	5/2011	Ikoma et al. ....	D15/199
D638,455 S *	5/2011	Long .....	D15/199
D650,820 S *	12/2011	Long .....	D15/199
D651,627 S *	1/2012	Long .....	D15/199
D670,319 S *	11/2012	Liu et al. ....	D15/199
2005/0092122 A1 *	5/2005	Markert et al. ....	74/490.01
2005/0126327 A1 *	6/2005	Markert et al. ....	74/490.02
2008/0271561 A1 *	11/2008	Ohara et al. ....	74/490.01

\* cited by examiner

*Primary Examiner* — Patricia Palasik

(74) *Attorney, Agent, or Firm* — Wood, Herron & Evans, LLP

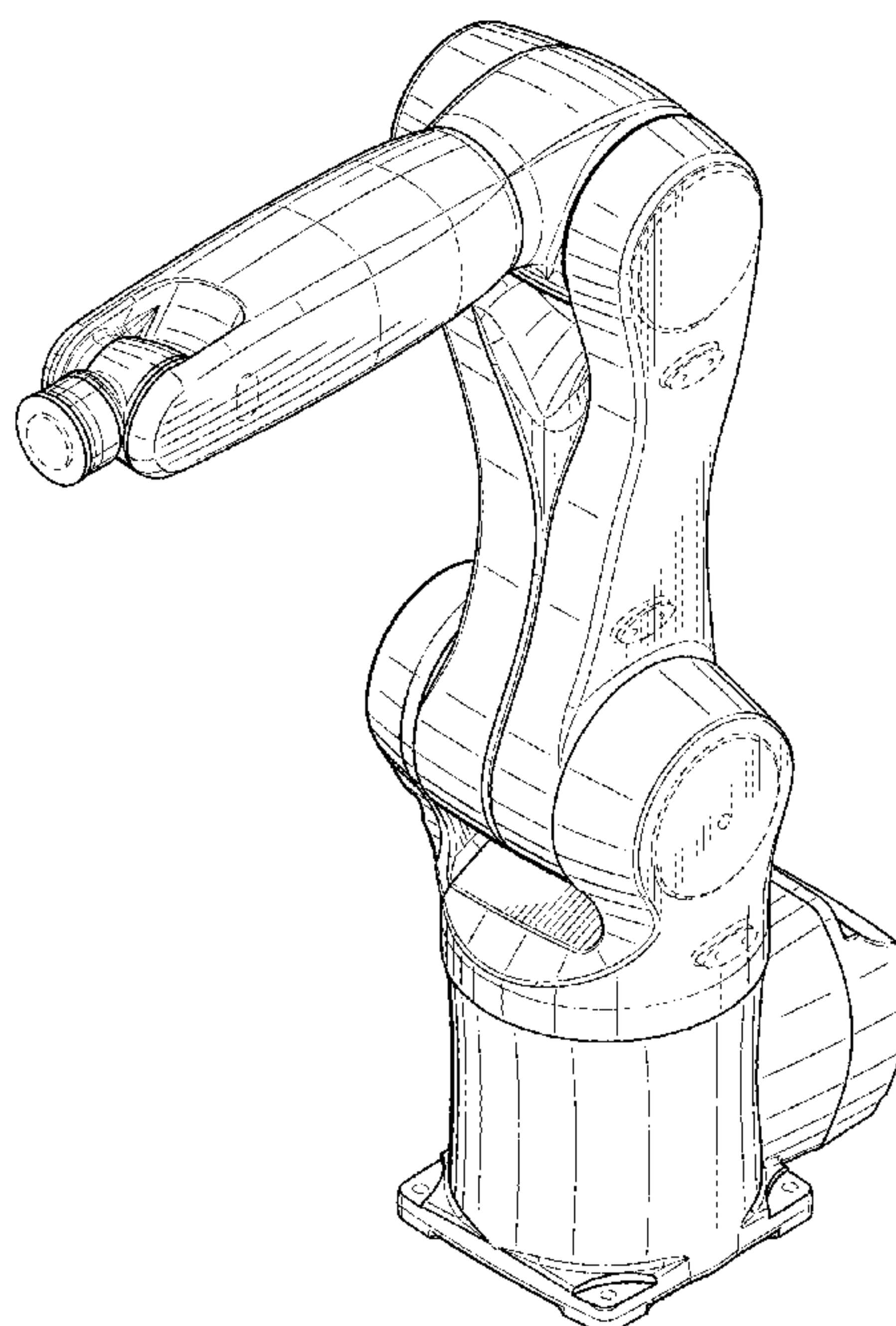
(57) **CLAIM**

The ornamental design for the robot, as shown and described.

**DESCRIPTION**

FIG. 1 is a perspective view of a first embodiment of my new robot design shown in an exemplary configuration;  
FIG. 2 is a front elevation view thereof;  
FIG. 3 is a rear elevation view thereof;  
FIG. 4 is a right-side elevation view thereof;  
FIG. 5 is a left-side elevation view thereof;  
FIG. 6 is an a top plan view thereof; and  
FIG. 7 is bottom plan view thereof.  
FIG. 8 is a right-side elevation view of the robot design of FIG. 1, shown in an alternative configuration; and,  
FIG. 9 is a perspective view of a second embodiment of my new robot design, similar to the embodiment of FIGS. 1-7, but wherein a base of the robot design is removed.  
The broken lines in the figures of the robot design are to show environment only and form no part of the claimed design.

**1 Claim, 7 Drawing Sheets**



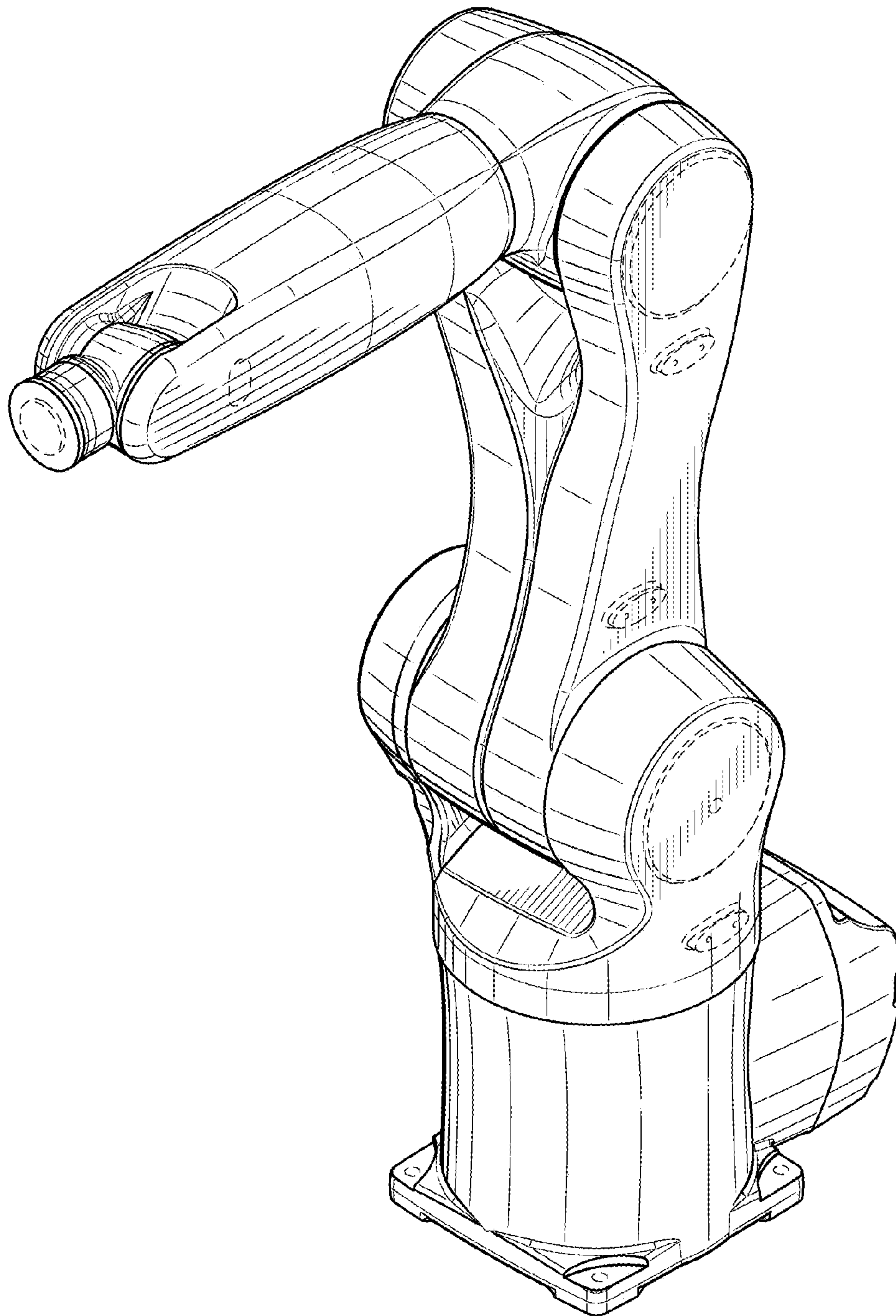


FIG. 1

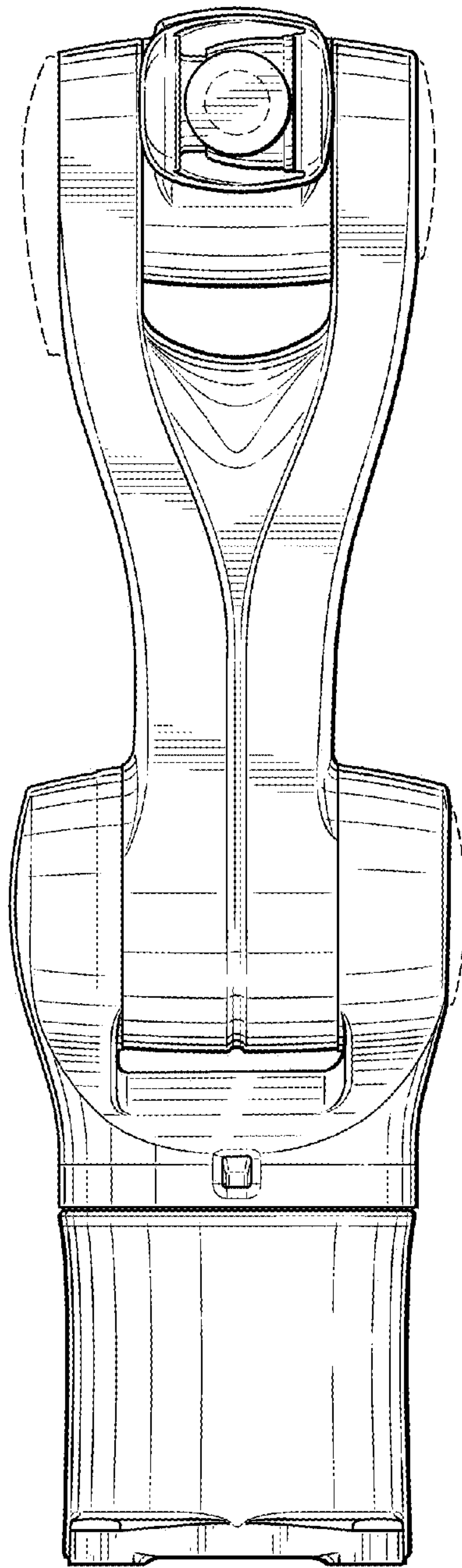


FIG. 2

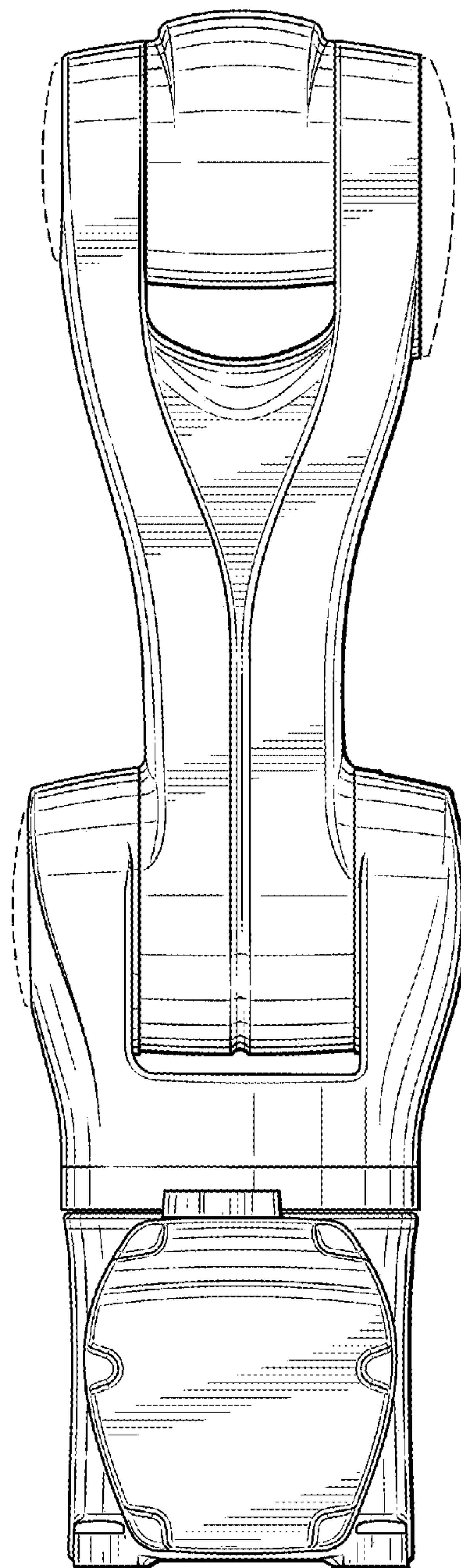


FIG. 3



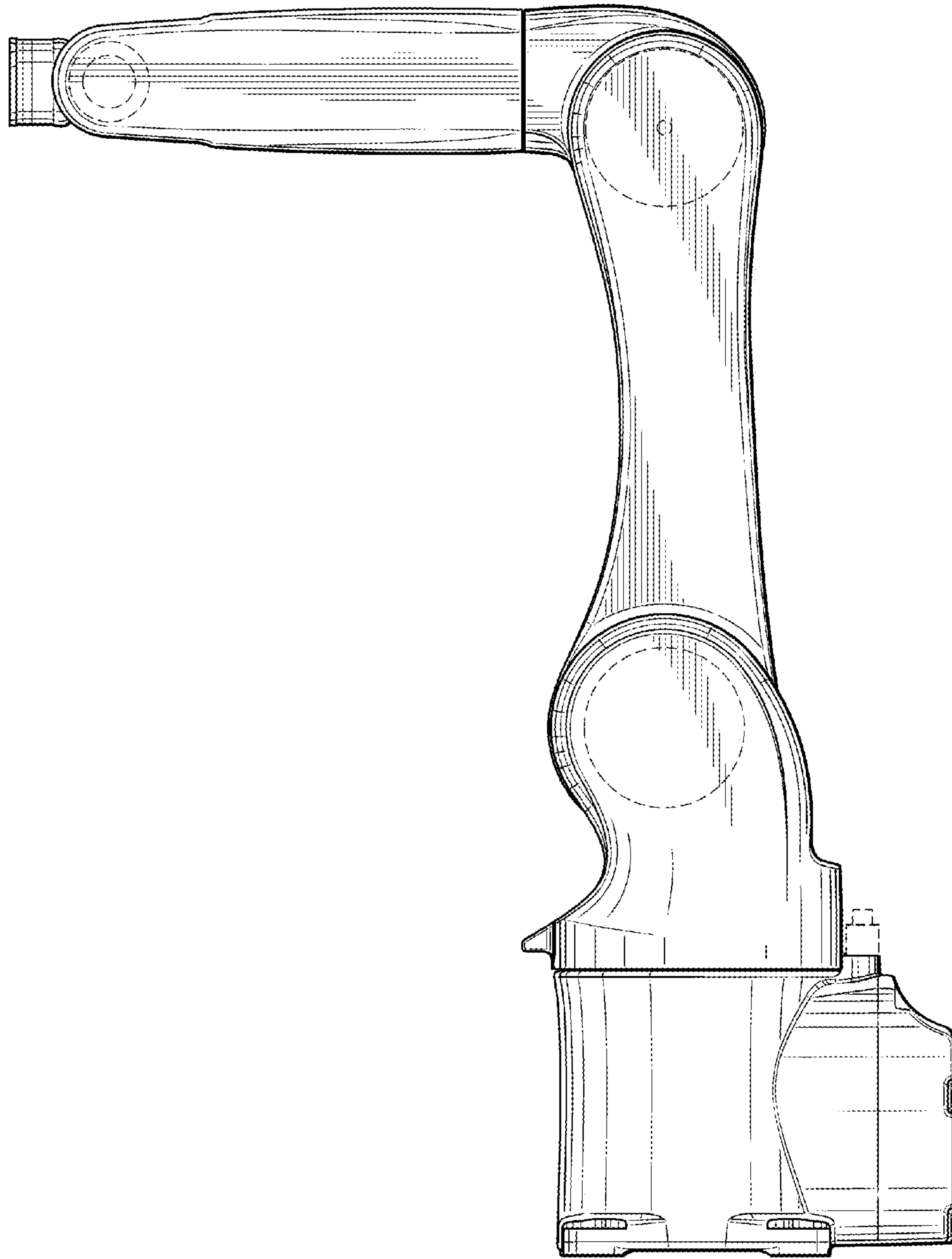


FIG. 4

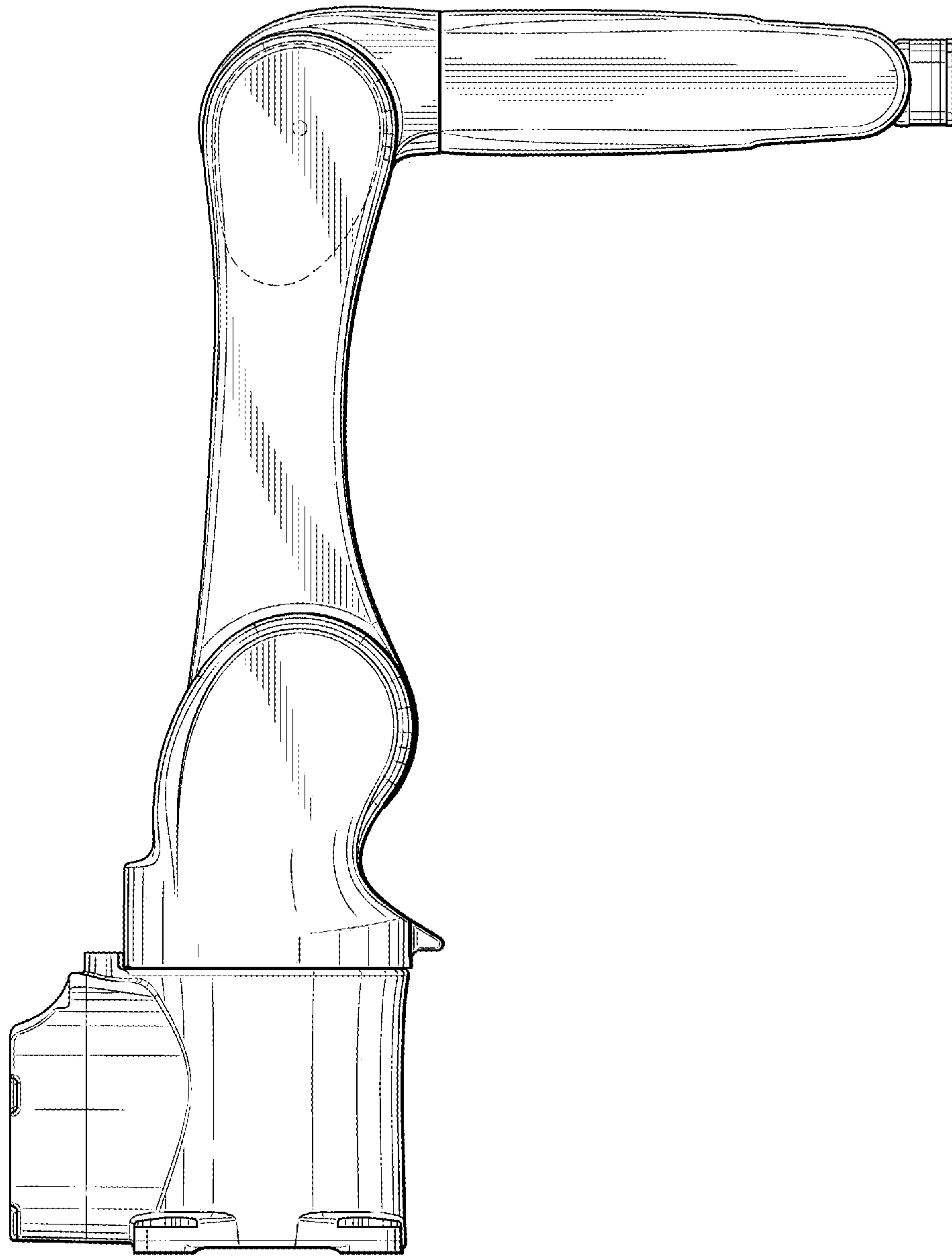


FIG. 5

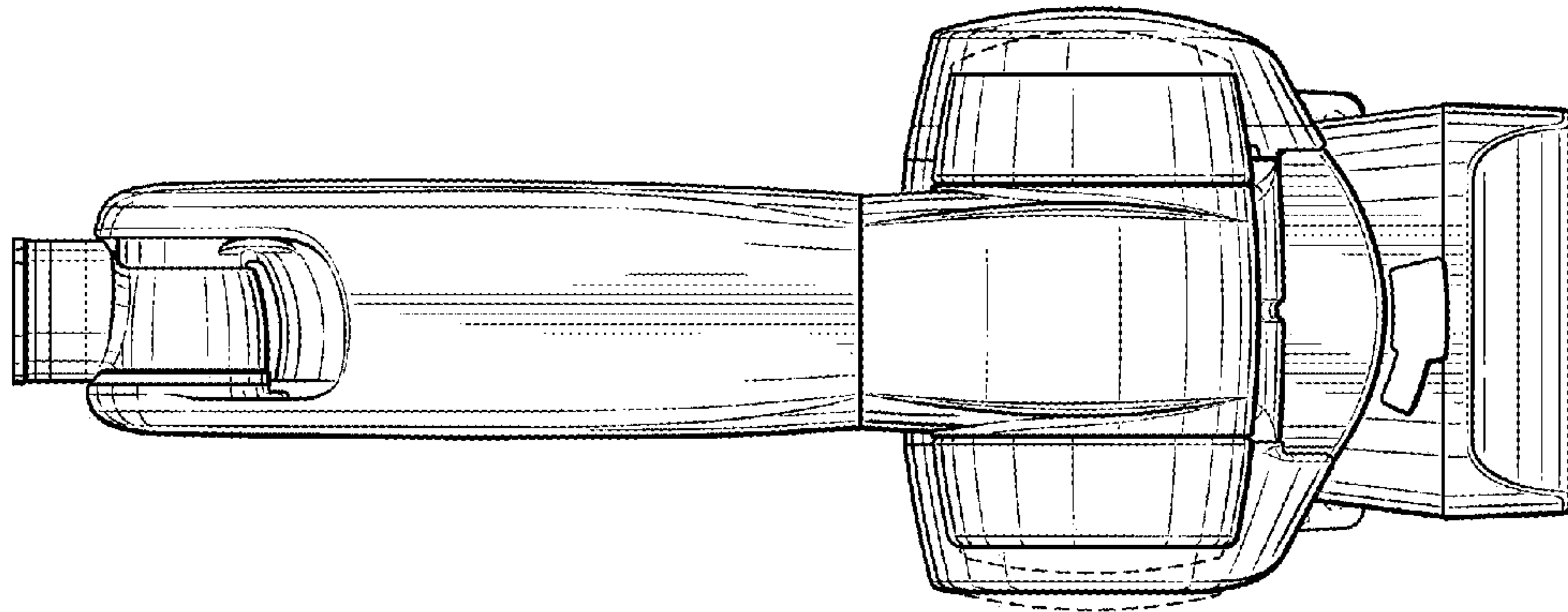


FIG. 6

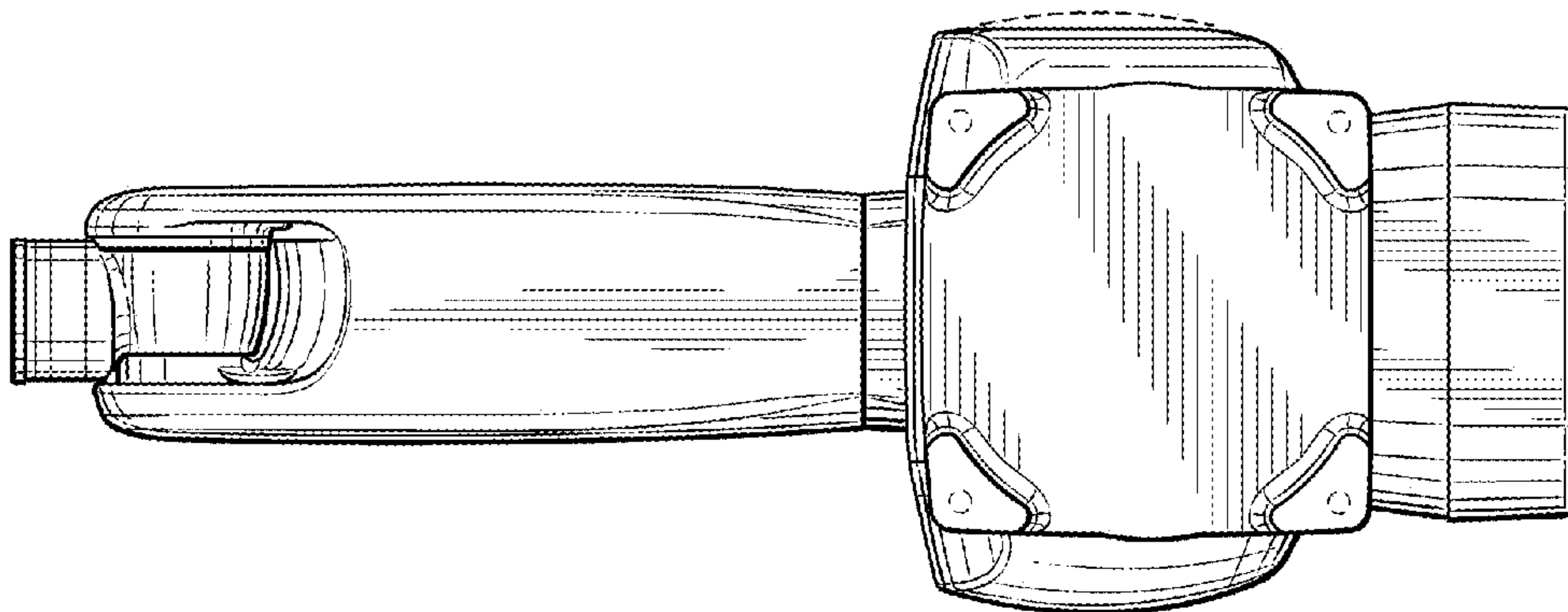


FIG. 7

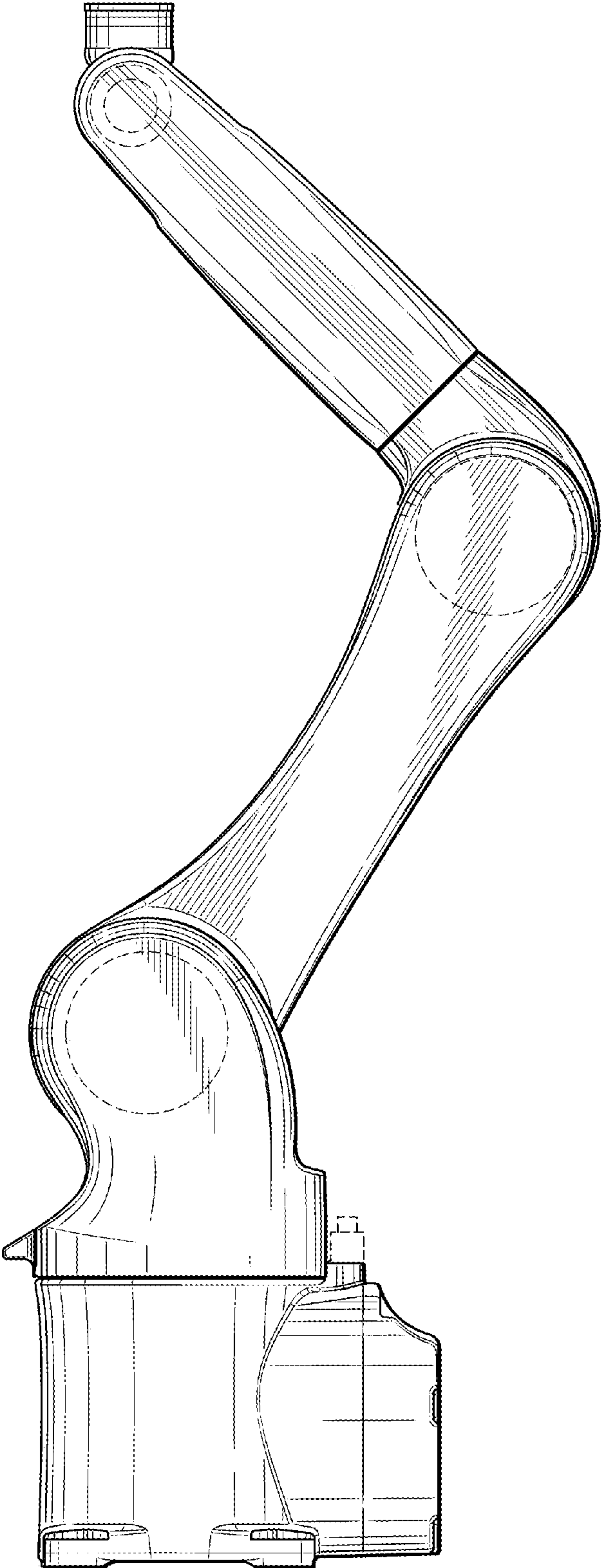


FIG. 8

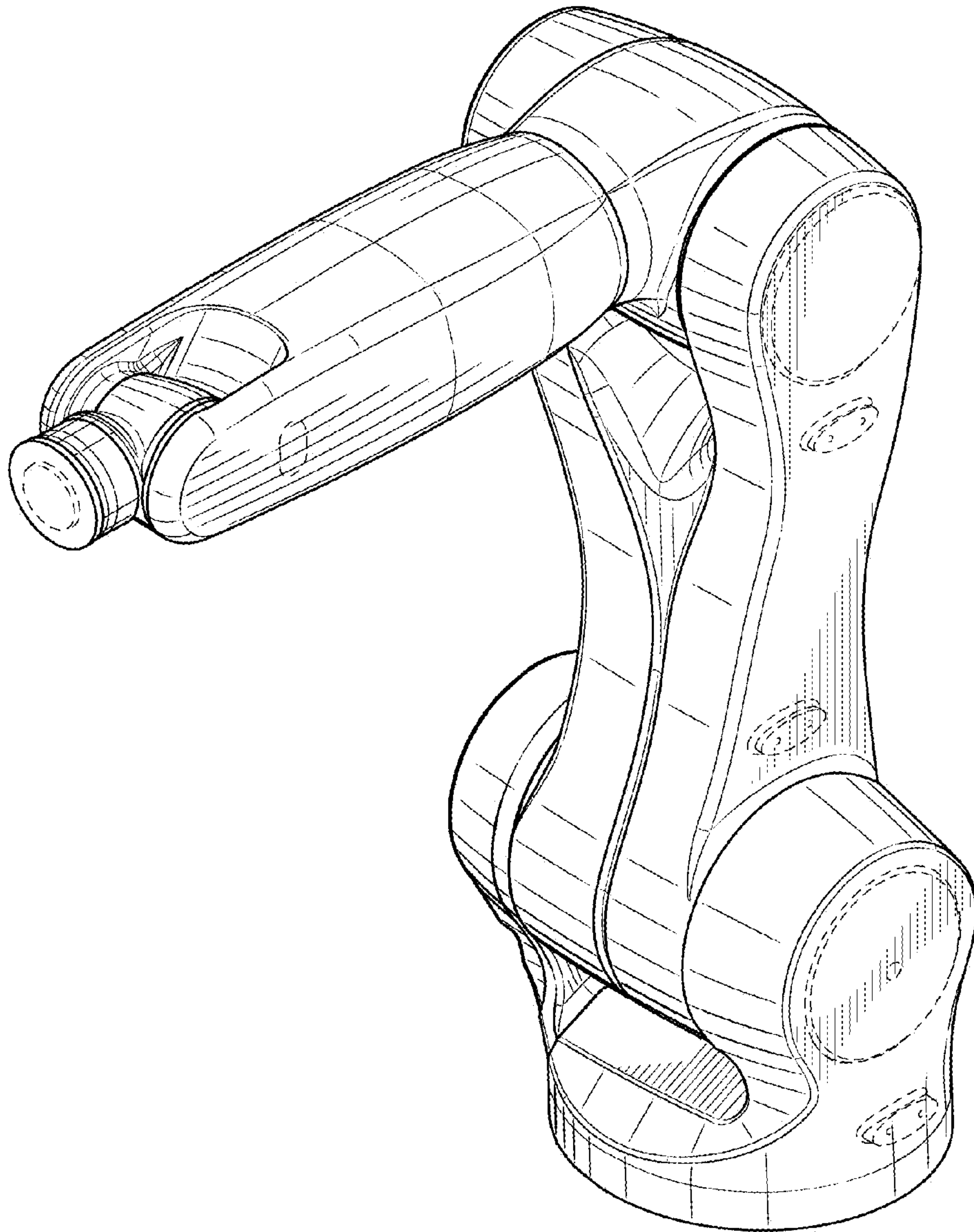


FIG. 9