



US00D678374S

(12) **United States Design Patent**  
**Bondeson et al.**

(10) **Patent No.:** **US D678,374 S**  
(45) **Date of Patent:** **\*\* Mar. 19, 2013**

(54) **WALL MOUNTED ADHESIVE MELTER**

5,407,101 A 4/1995 Hubbard  
D360,422 S \* 7/1995 Frates et al. .... D15/144  
5,680,961 A 10/1997 Boccagno et al.  
D388,800 S \* 1/1998 Zook et al. .... D15/144

(71) Applicant: **Nordson Corporation**, Westlake, OH  
(US)

(Continued)

(72) Inventors: **Benjamin J. Bondeson**, Suwanee, GA  
(US); **Mark A. Gould**, Gainesville, GA  
(US); **David R. Jeter**, Woodstock, GA  
(US); **Mark G. Reifenberger**, Norcross,  
GA (US); **John M. Riney**, Buford, GA  
(US); **Paula E. Ruse**, Lawrenceville, GA  
(US); **Robert J. Woodlief**, Suwanee, GA  
(US)

**FOREIGN PATENT DOCUMENTS**

DE 3214726 A1 10/1983  
EP 0855228 A2 7/1998

(Continued)

**OTHER PUBLICATIONS**

Nordson Corporation, Select Series™ Hot Melt Dispensing Guns  
and Hoses, Brochure, Apr. 2006.

(Continued)

(73) Assignee: **Nordson Corporation**, Westlake, OH  
(US)

(\*\*) Term: **14 Years**

*Primary Examiner* — Patricia Palasik

(21) Appl. No.: **29/435,697**

(74) *Attorney, Agent, or Firm* — Wood, Herron & Evans,  
L.L.P.

(22) Filed: **Oct. 26, 2012**

(57) **CLAIM**

(51) **LOC (9) Cl.** ..... **15-09**

The ornamental design for a wall mounted adhesive melter, as  
shown and described.

(52) **U.S. Cl.** ..... **D15/144.2**

(58) **Field of Classification Search** ..... D15/144,  
D15/144.1, 144.2; D34/7; 219/421, 426,  
219/601; 222/146.5, 152, 156, 189.06, 386,  
222/389, 397, 405, 420–426, 430, 431; 266/200;  
432/161

**DESCRIPTION**

See application file for complete search history.

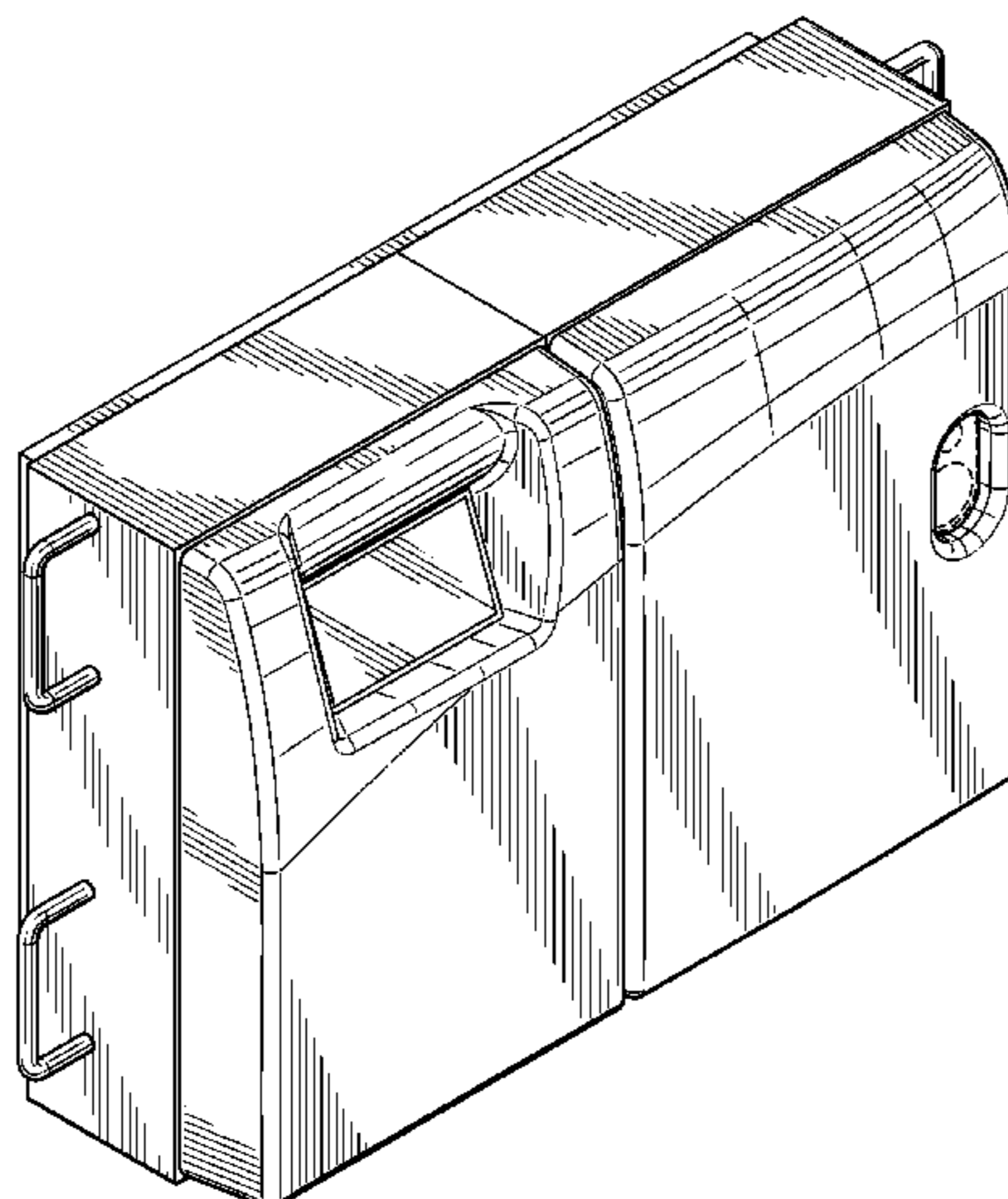
FIG. 1 is a perspective view of the wall mounted adhesive  
melter according to the present invention.  
FIG. 2 is a front elevational view of the wall mounted adhe-  
sive melter according to the invention.  
FIG. 3 is a left side elevational view of the wall mounted  
adhesive melter according to the invention.  
FIG. 4 is a right side elevational view of the wall mounted  
adhesive melter according to the invention.  
FIG. 5 is a top elevational view of the wall mounted adhesive  
melter according to the invention.  
FIG. 6 is a bottom elevational view of the wall mounted  
adhesive melter according to the invention; and,  
FIG. 7 is a rear elevational view of the wall mounted adhesive  
melter according to the invention.  
The broken lines define unclaimed boundaries of the design.

(56) **References Cited**

**U.S. PATENT DOCUMENTS**

2,025,509 A 12/1935 Hieber  
3,818,930 A 6/1974 Crum et al.  
3,876,105 A 4/1975 Kelling  
4,245,759 A 1/1981 Baker et al.  
4,334,637 A 6/1982 Baker et al.  
4,456,151 A 6/1984 Lewellen  
4,711,379 A 12/1987 Price  
4,726,822 A 2/1988 Cates et al.  
4,752,670 A 6/1988 Traub et al.  
5,336,320 A 8/1994 Hogan et al.  
5,375,738 A 12/1994 Walsh et al.

**1 Claim, 3 Drawing Sheets**



# US D678,374 S

Page 2

## U.S. PATENT DOCUMENTS

5,706,982 A 1/1998 Siddiqui et al.  
5,715,972 A 2/1998 Siddiqui  
5,837,975 A 11/1998 Dillard et al.  
5,913,455 A 6/1999 La et al.  
5,934,520 A 8/1999 Byerly et al.  
6,049,658 A 4/2000 Schave et al.  
D425,530 S \* 5/2000 Lafitte ..... D15/144  
6,056,155 A 5/2000 Byerly et al.  
6,175,101 B1 1/2001 Miller et al.  
6,499,629 B1 12/2002 Colangelo et al.  
6,533,187 B2 3/2003 May  
D488,177 S \* 4/2004 Dittmann et al. .... D15/144  
D489,741 S \* 5/2004 Calco et al. .... D15/144  
D500,063 S \* 12/2004 Jeter et al. .... D15/144  
7,025,081 B2 4/2006 Colangelo et al.  
D552,716 S 10/2007 Chastine et al.  
D556,798 S \* 12/2007 Franco ..... D15/144  
D562,368 S \* 2/2008 Byerly et al. .... D15/144  
7,626,143 B2 12/2009 Miller  
D611,515 S \* 3/2010 Chastine et al. .... D15/144

D647,380 S 10/2011 Bondeson et al.  
8,061,918 B2 11/2011 Skalitzky et al.  
D658,954 S 5/2012 Bondeson et al.  
8,210,398 B2 7/2012 Bondeson et al.  
D667,709 S 9/2012 Bondeson et al.  
2001/0009752 A1 \* 7/2001 Reifenberger et al. .... 432/161  
2002/0109019 A1 8/2002 May  
2009/0294014 A1 12/2009 Sennrich

## FOREIGN PATENT DOCUMENTS

WO 9810251 A1 3/1998

## OTHER PUBLICATIONS

Nordson Corporation, MiniBlue™ Hot Melt Dispensing Guns, Brochure, 2003.

Nordson Corporation, MiniBlue™ II Hot Melt Dispensing Applicators, Brochure, 2010.

\* cited by examiner

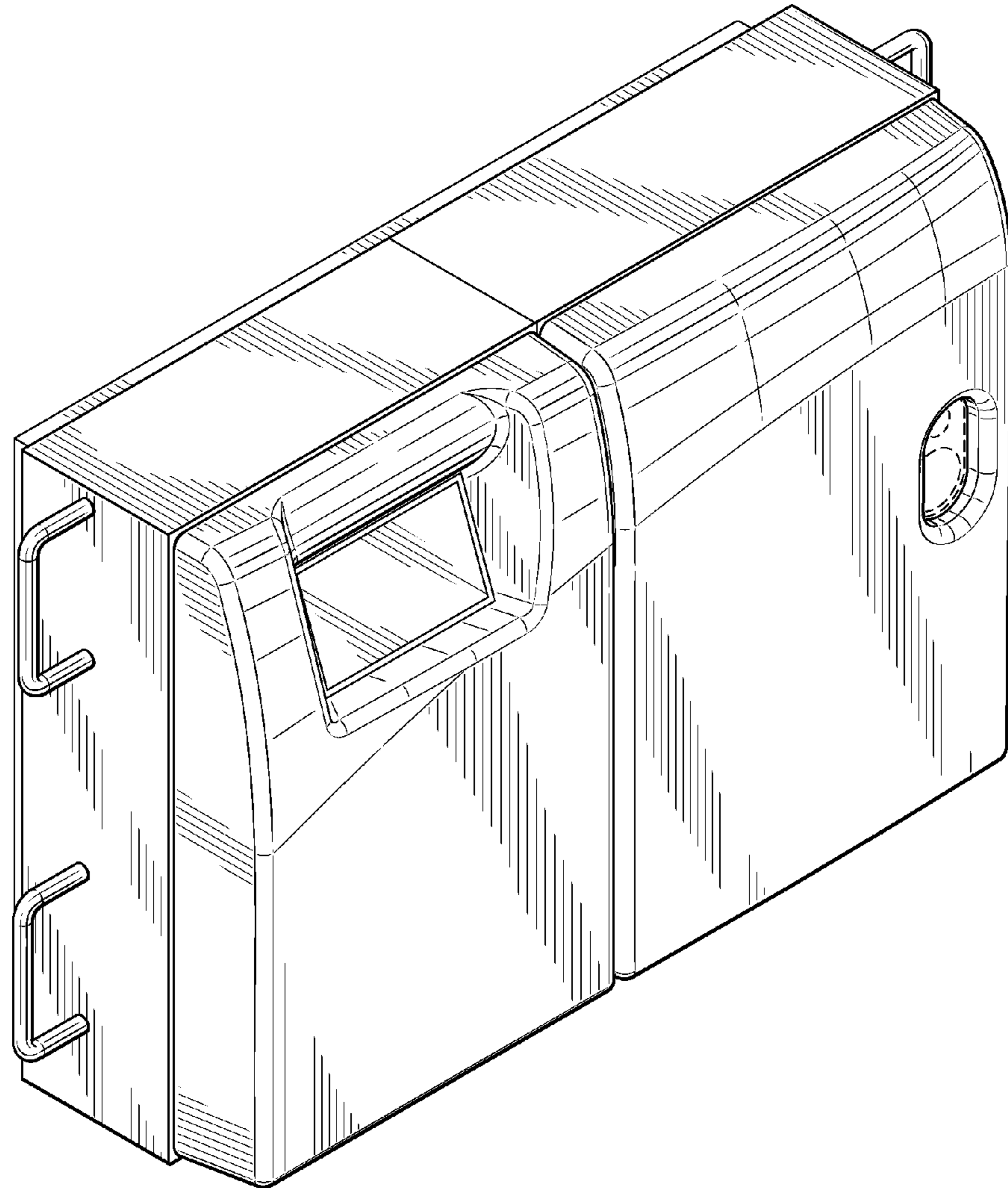


FIG. 1

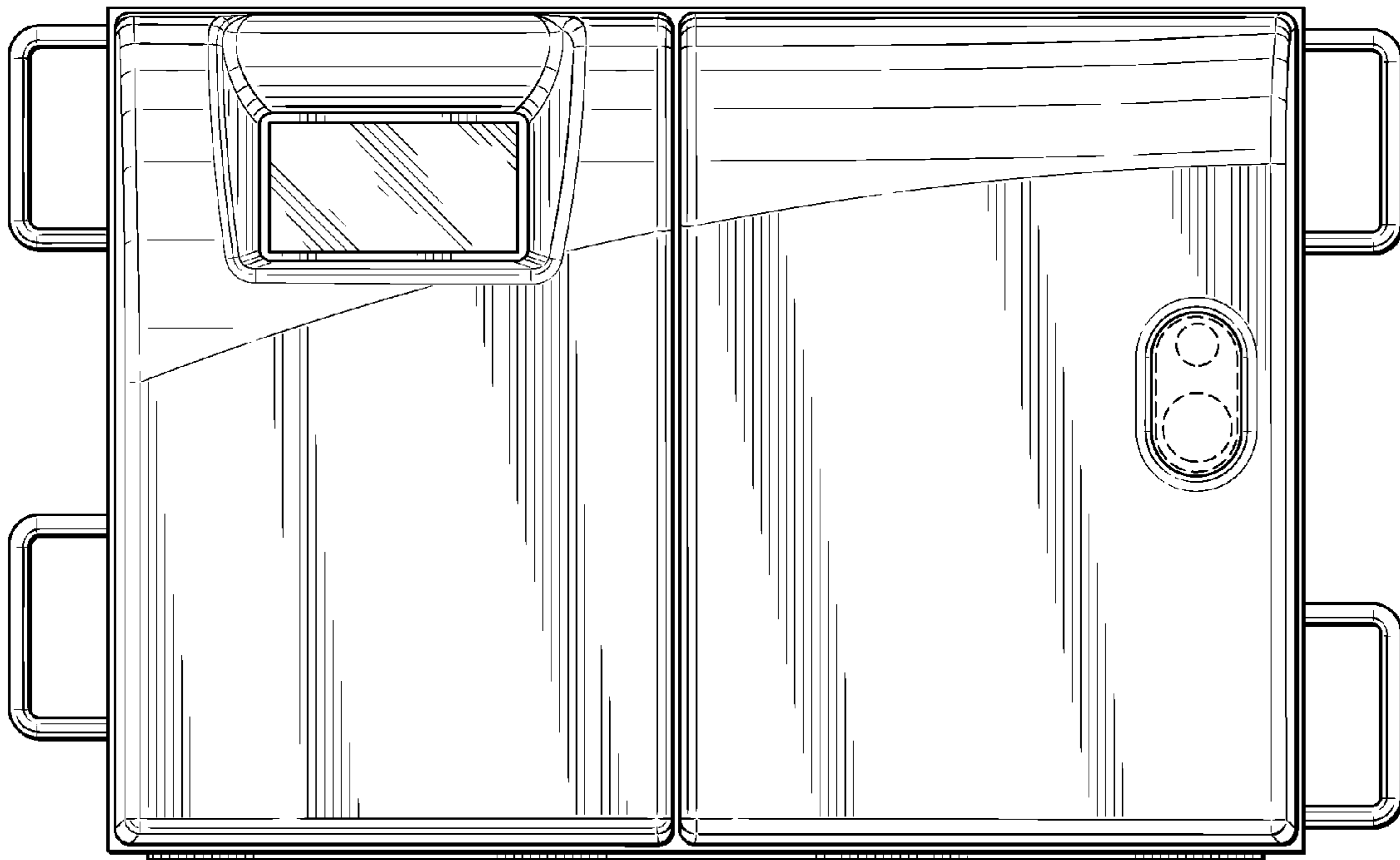


FIG. 2

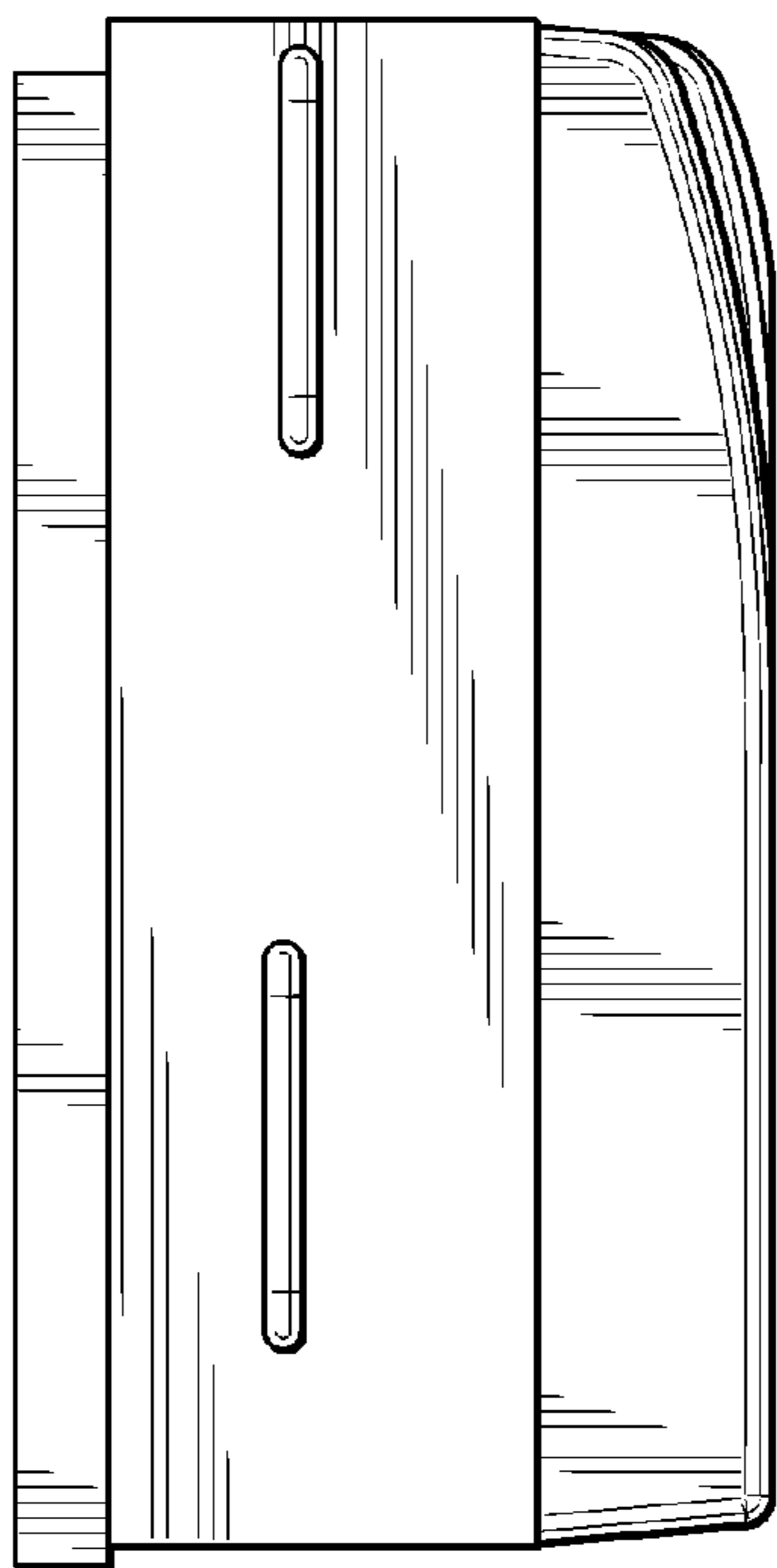


FIG. 3

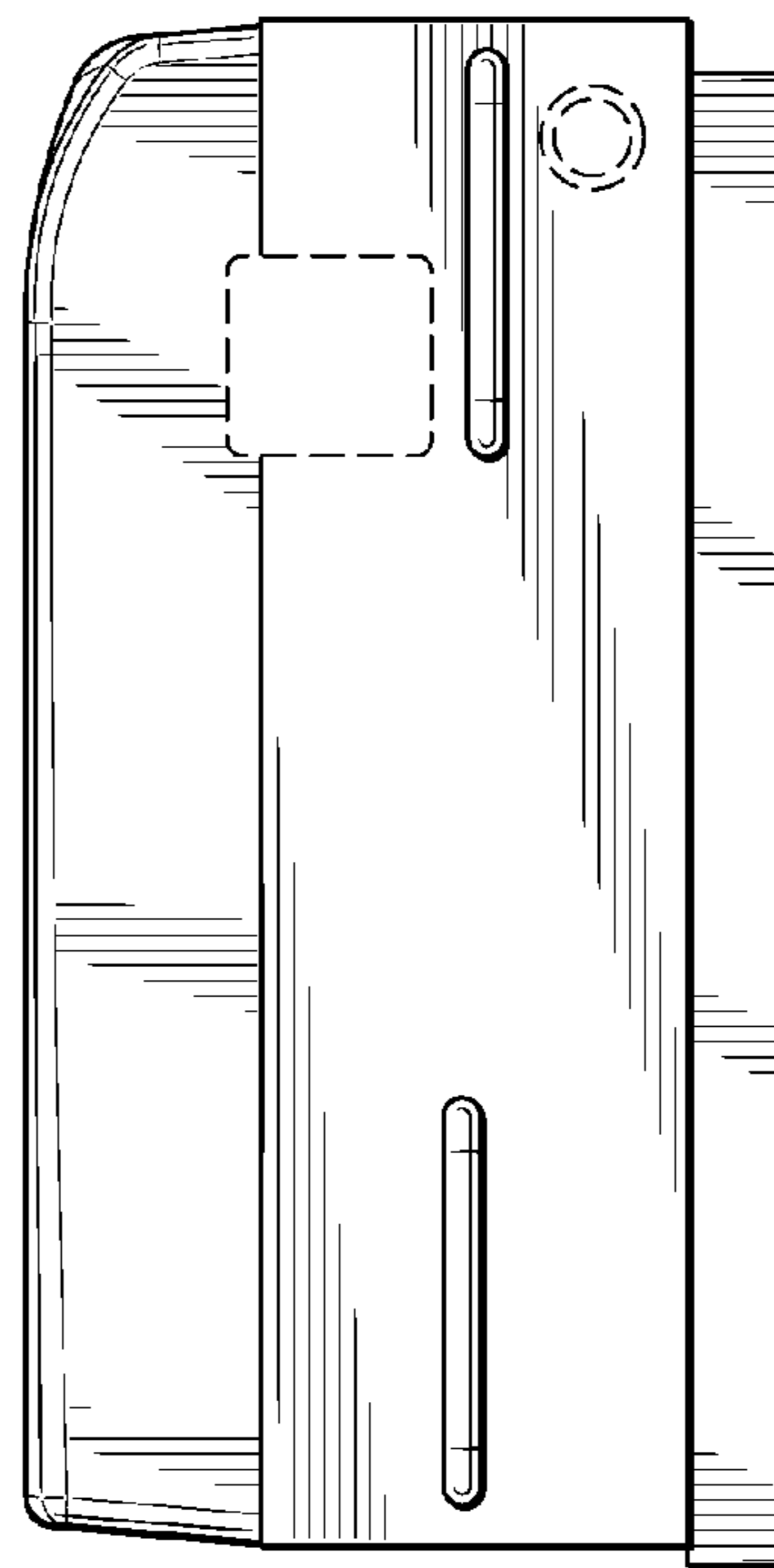


FIG. 4

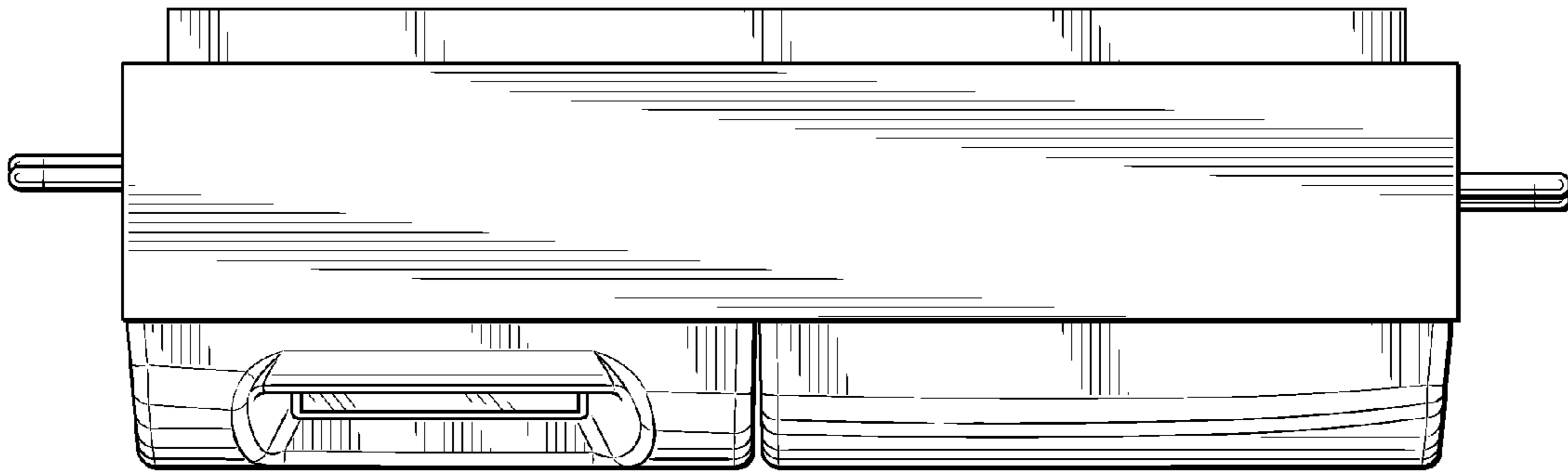


FIG. 5

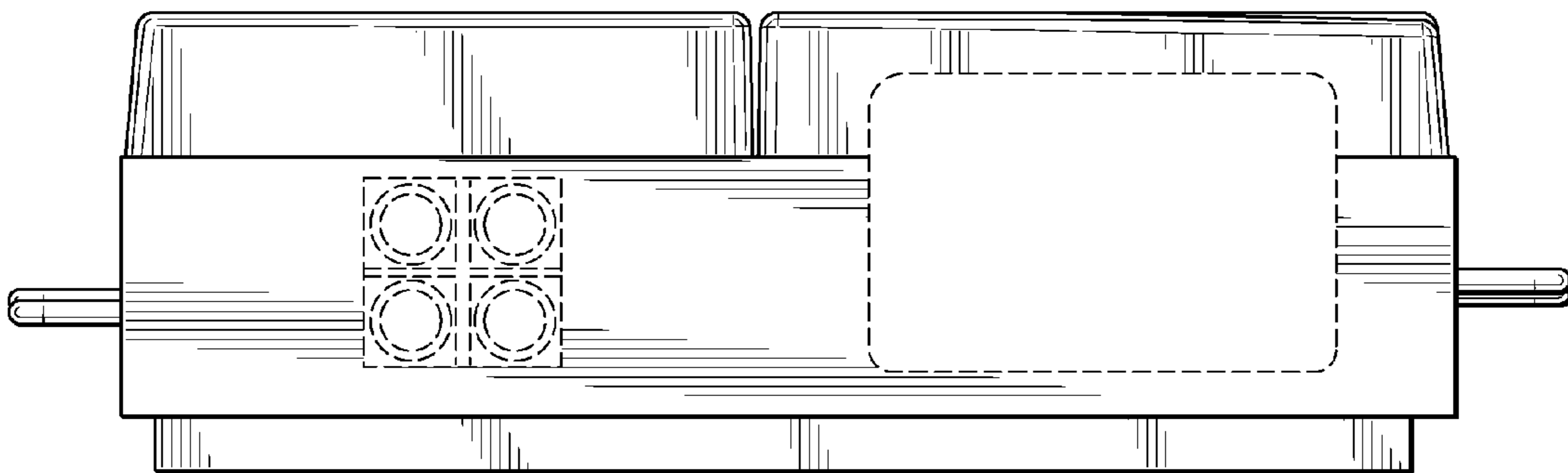


FIG. 6

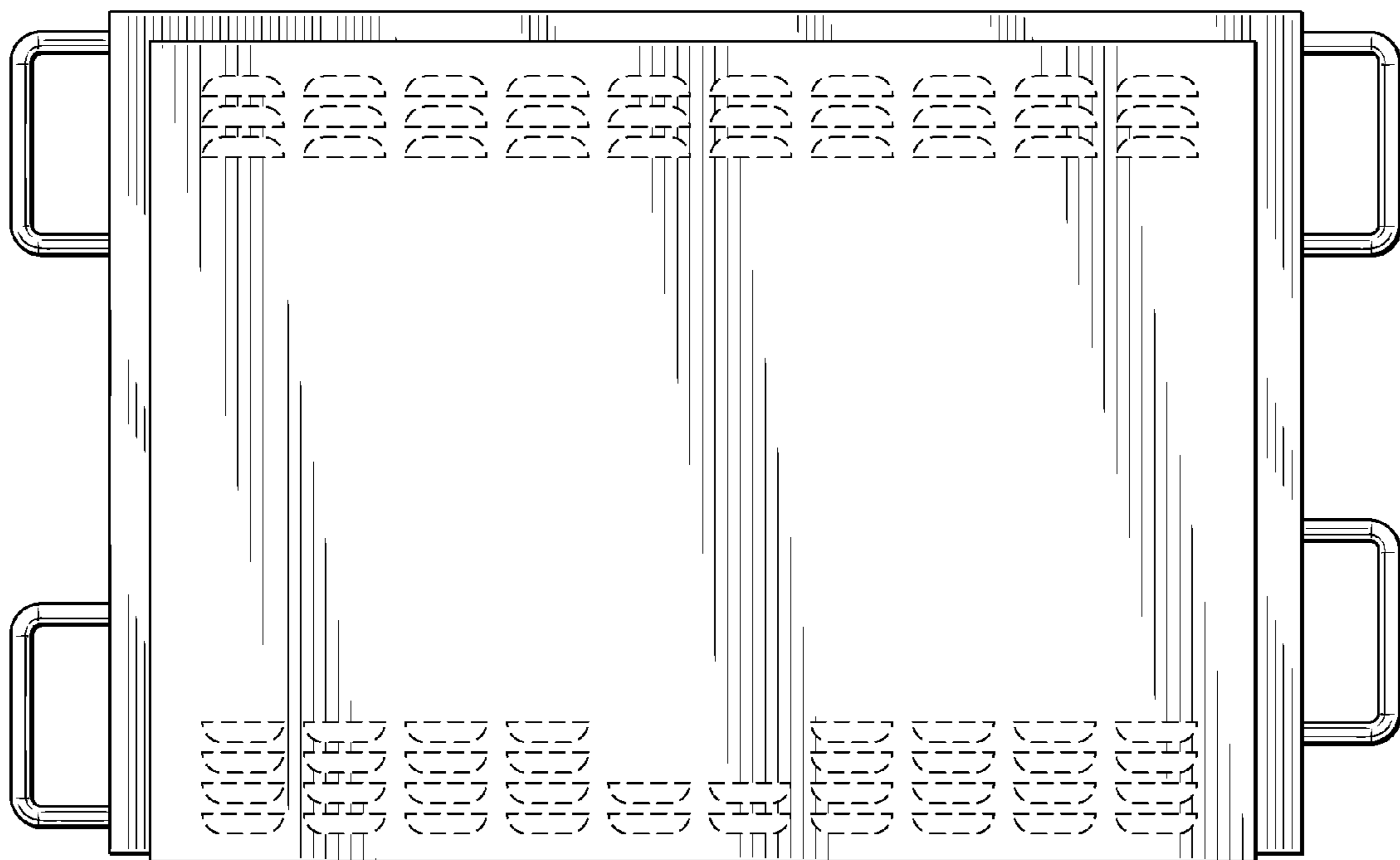


FIG. 7