



US00D678371S

(12) **United States Design Patent**  
**Wen**

(10) **Patent No.:** **US D678,371 S**  
(45) **Date of Patent:** **\*\* Mar. 19, 2013**

(54) **FRONT SHELL OF THERMAL CUTTER**

(76) Inventor: **Yuan-Hung Wen**, Chang Hua County  
(TW)

(\*\*) Term: **14 Years**

(21) Appl. No.: **29/408,560**

(22) Filed: **Dec. 14, 2011**

(51) **LOC (9) Cl.** ..... **15-09**

(52) **U.S. Cl.** ..... **D15/144**

(58) **Field of Classification Search** ..... D8/29.1,  
D8/30; D15/144, 144.1, 144.2; 29/611;  
219/68, 70, 86.21, 90, 121.36, 121.39, 121.44,  
219/121.5, 121.56, 121.38, 123, 137.31,  
219/137.2, 137.44, 137.7, 137.8, 138, 141,  
219/234

See application file for complete search history.

(56) **References Cited**

**U.S. PATENT DOCUMENTS**

D256,325	S *	8/1980	Crooks et al.	.....	D8/30
4,237,365	A *	12/1980	Lambros et al.	.....	219/139
D263,054	S *	2/1982	Bennett	.....	D15/144
5,202,544	A *	4/1993	Inoue et al.	.....	219/121.5
D456,828	S *	5/2002	Aronson et al.	.....	D15/144
D515,890	S *	2/2006	Kensrue	.....	D8/30
7,084,368	B2 *	8/2006	Yamaguchi et al.	.....	219/121.39
7,244,909	B2 *	7/2007	Kensrue et al.	.....	219/137.31
D615,573	S *	5/2010	Peters et al.	.....	D15/144

D658,219	S *	4/2012	Coryell et al.	.....	D15/144
2005/0189336	A1 *	9/2005	Ku	.....	219/138
2008/0128398	A1 *	6/2008	Schneider	.....	219/141
2008/0314875	A1 *	12/2008	Yamaguchi et al.	.....	219/68
2009/0277881	A1 *	11/2009	Bornemann et al.	.....	219/121.39

\* cited by examiner

*Primary Examiner* — Patricia Palasik

(74) *Attorney, Agent, or Firm* — Muncy, Geissler, Olds & Lowe, PLLC

(57) **CLAIM**

I claim the ornamental design for a front shell of thermal cutter, as shown and described.

**DESCRIPTION**

FIG. 1 is a perspective view of the front shell of thermal cutter showing my new design;

FIG. 2 is a front view thereof;

FIG. 3 is a left view thereof;

FIG. 4 is a right view thereof;

FIG. 5 is a top plan view thereof;

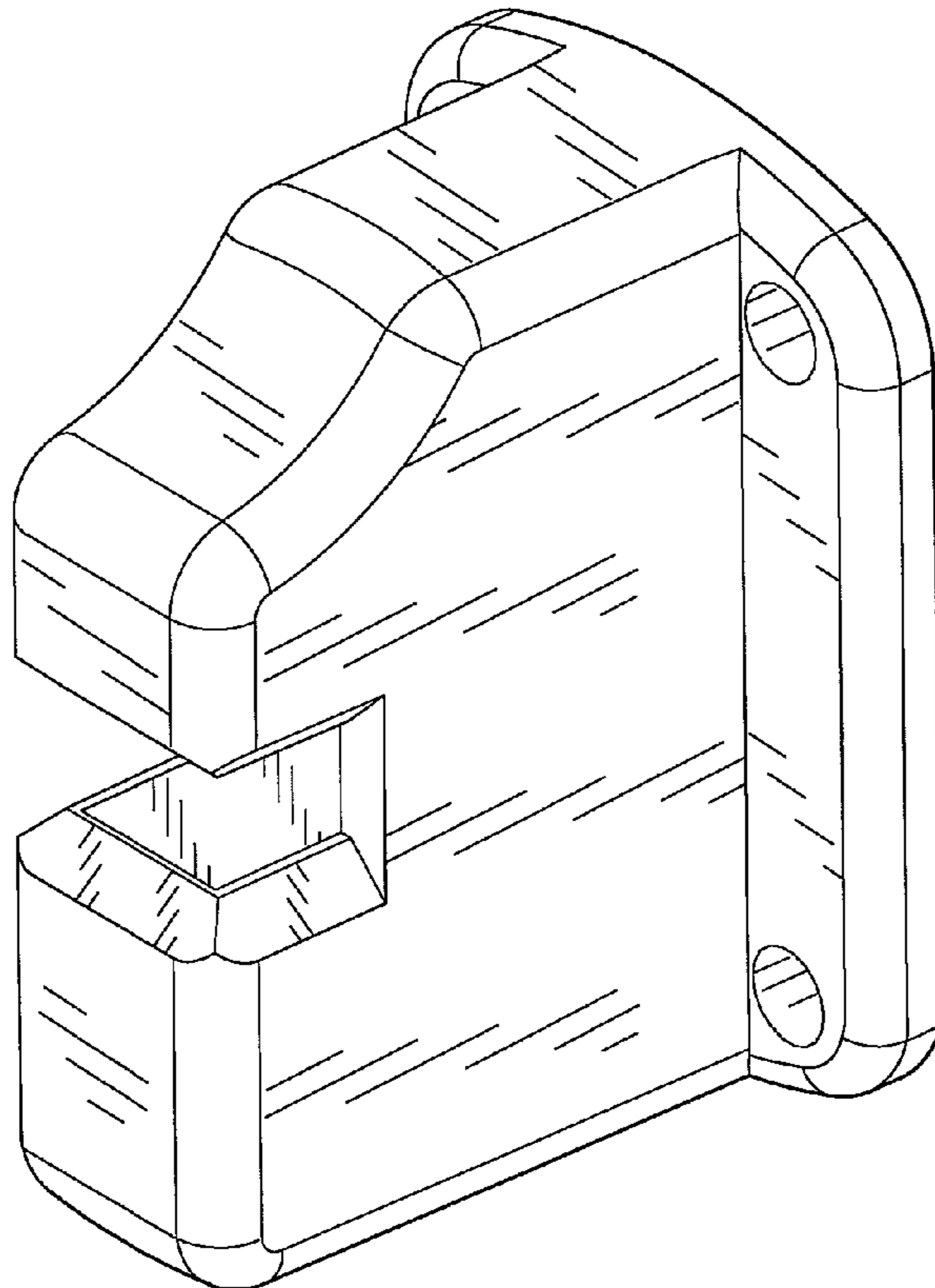
FIG. 6 is a bottom plan view thereof; and,

FIG. 7 is a perspective view of my design for the front shell of thermal cutter in use.

The broken lines are for the purpose of illustrating the environment of the design and form no part of the claimed design.

The rear side is substantially flat and unornamented.

**1 Claim, 7 Drawing Sheets**



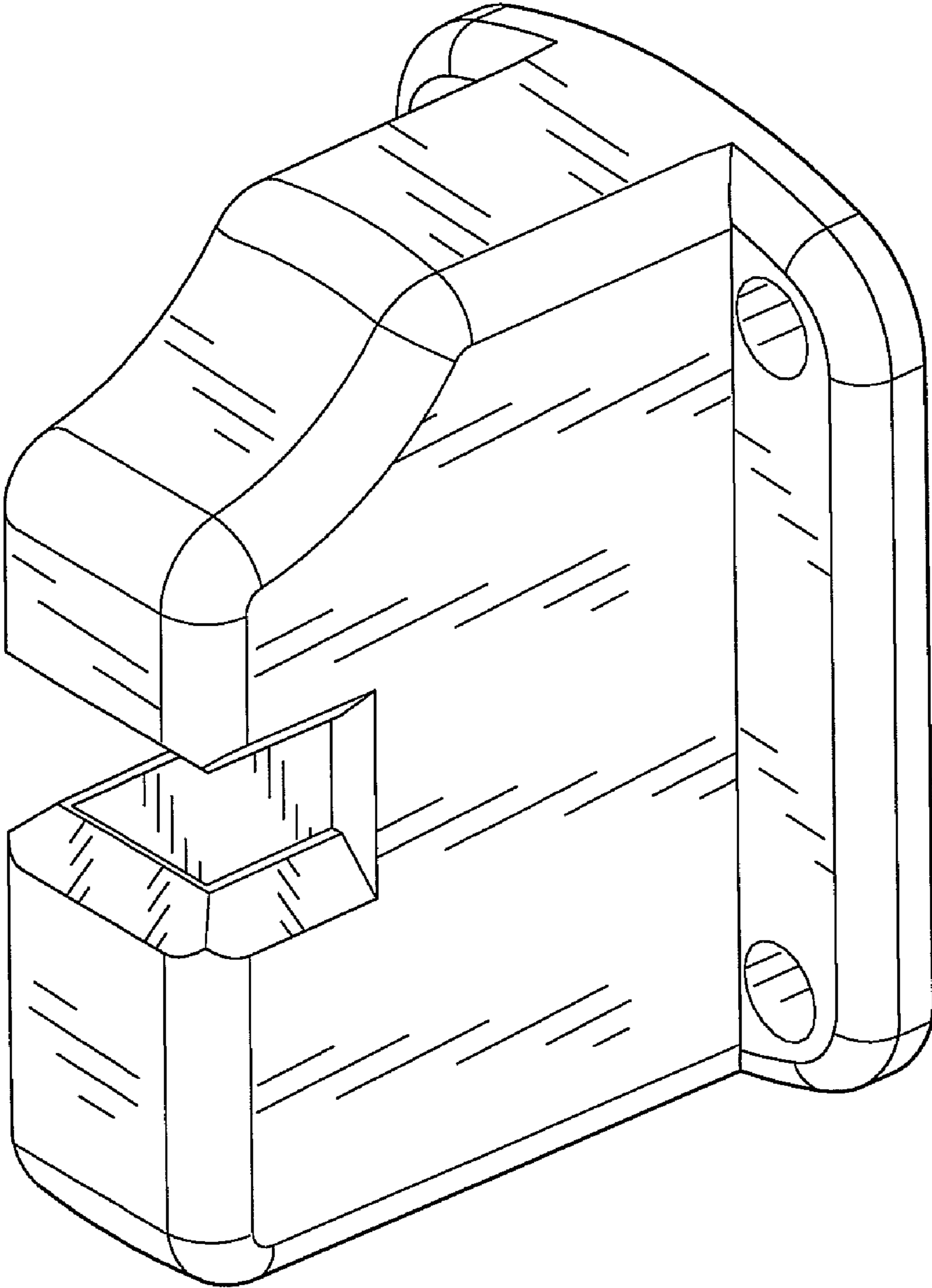


FIG. 1

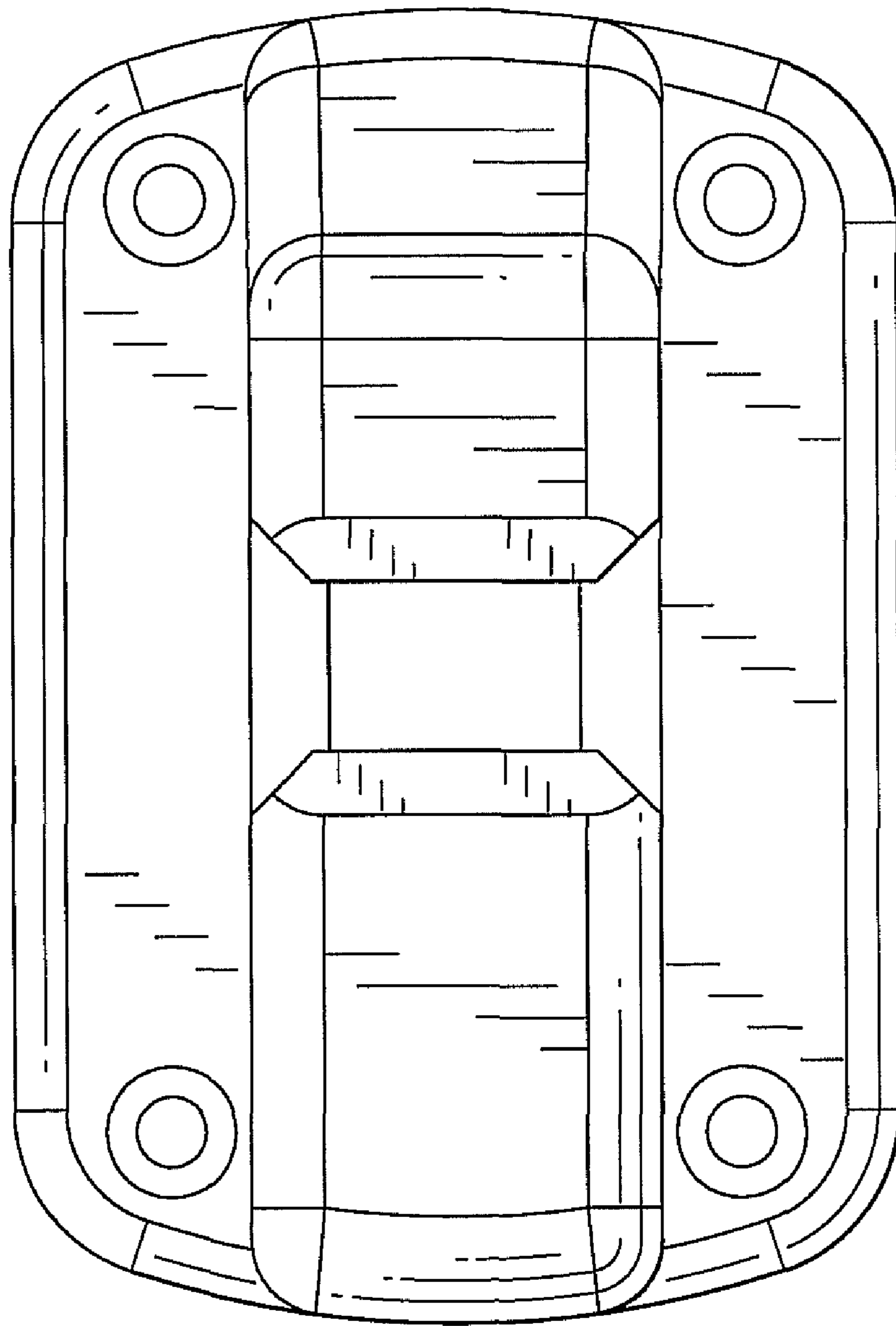


FIG. 2

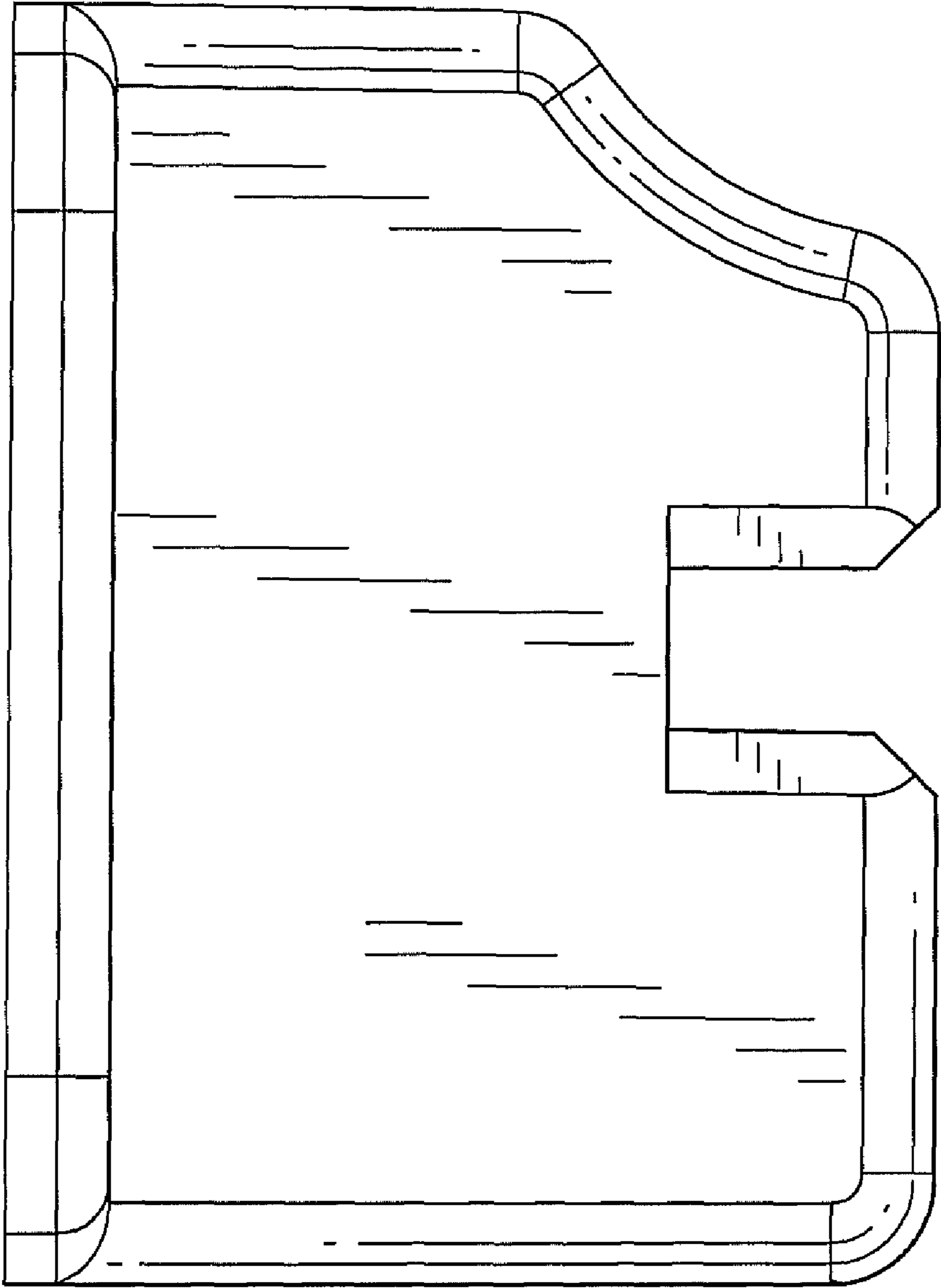


FIG. 3

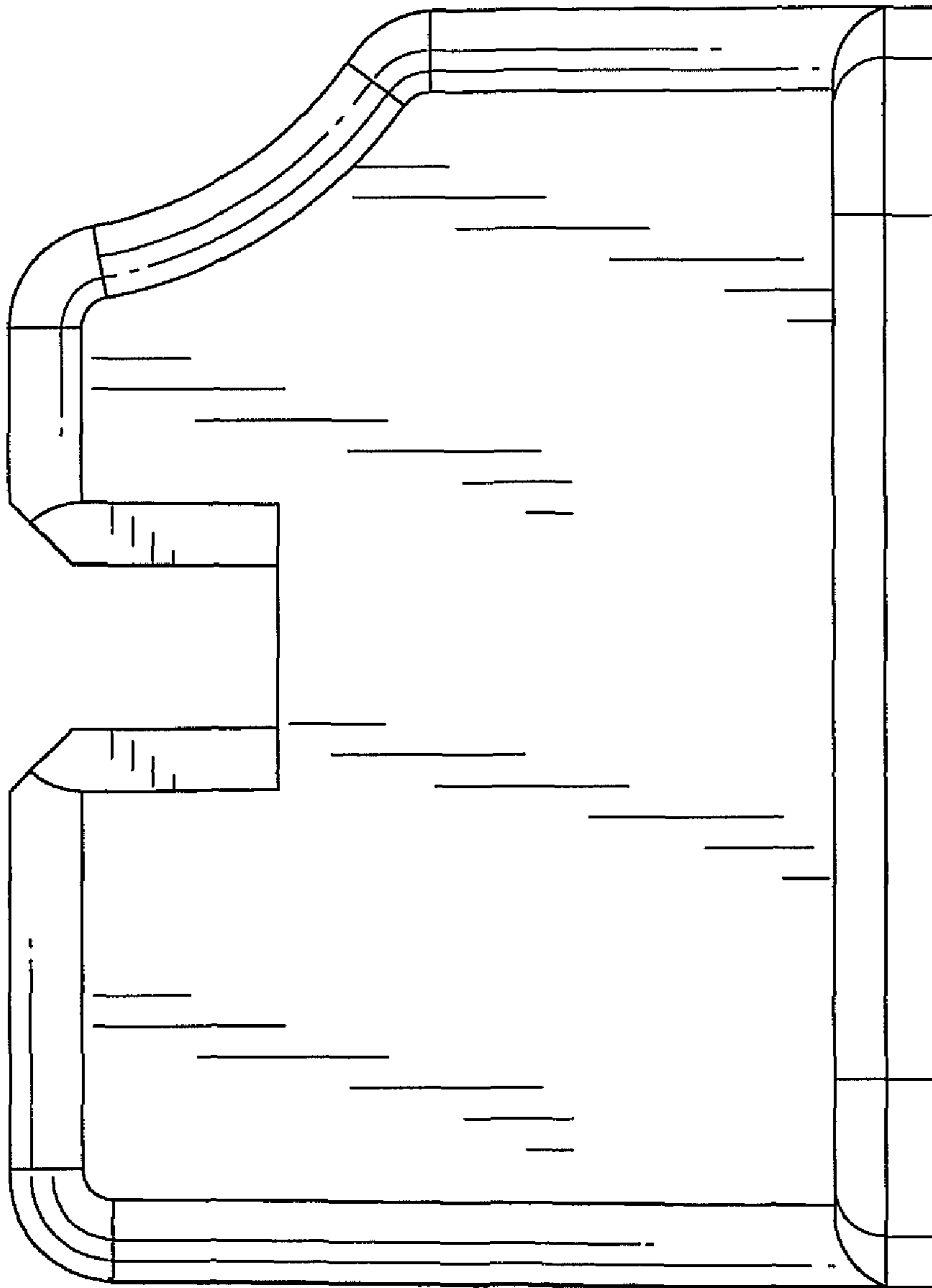


FIG. 4

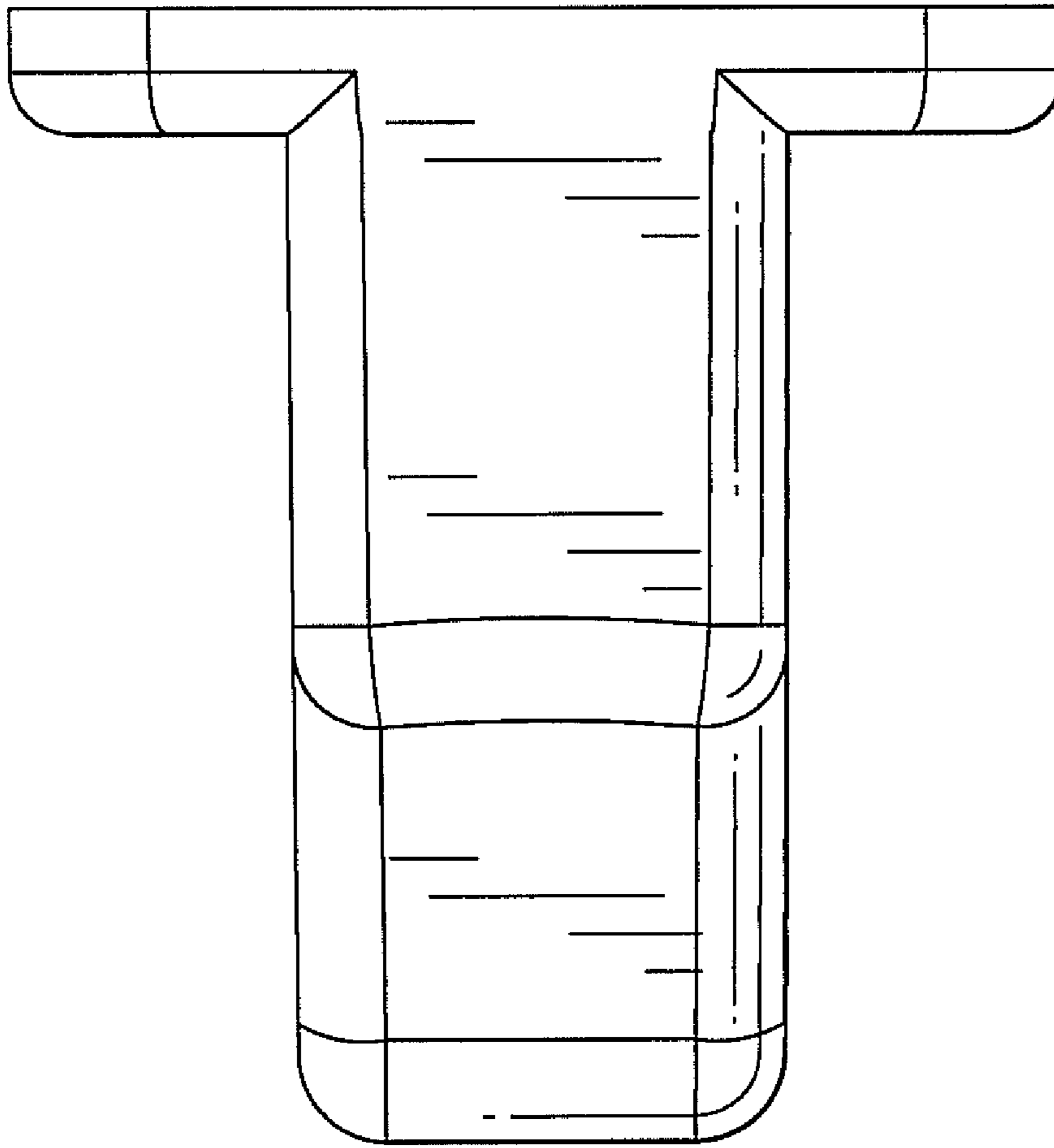


FIG. 5

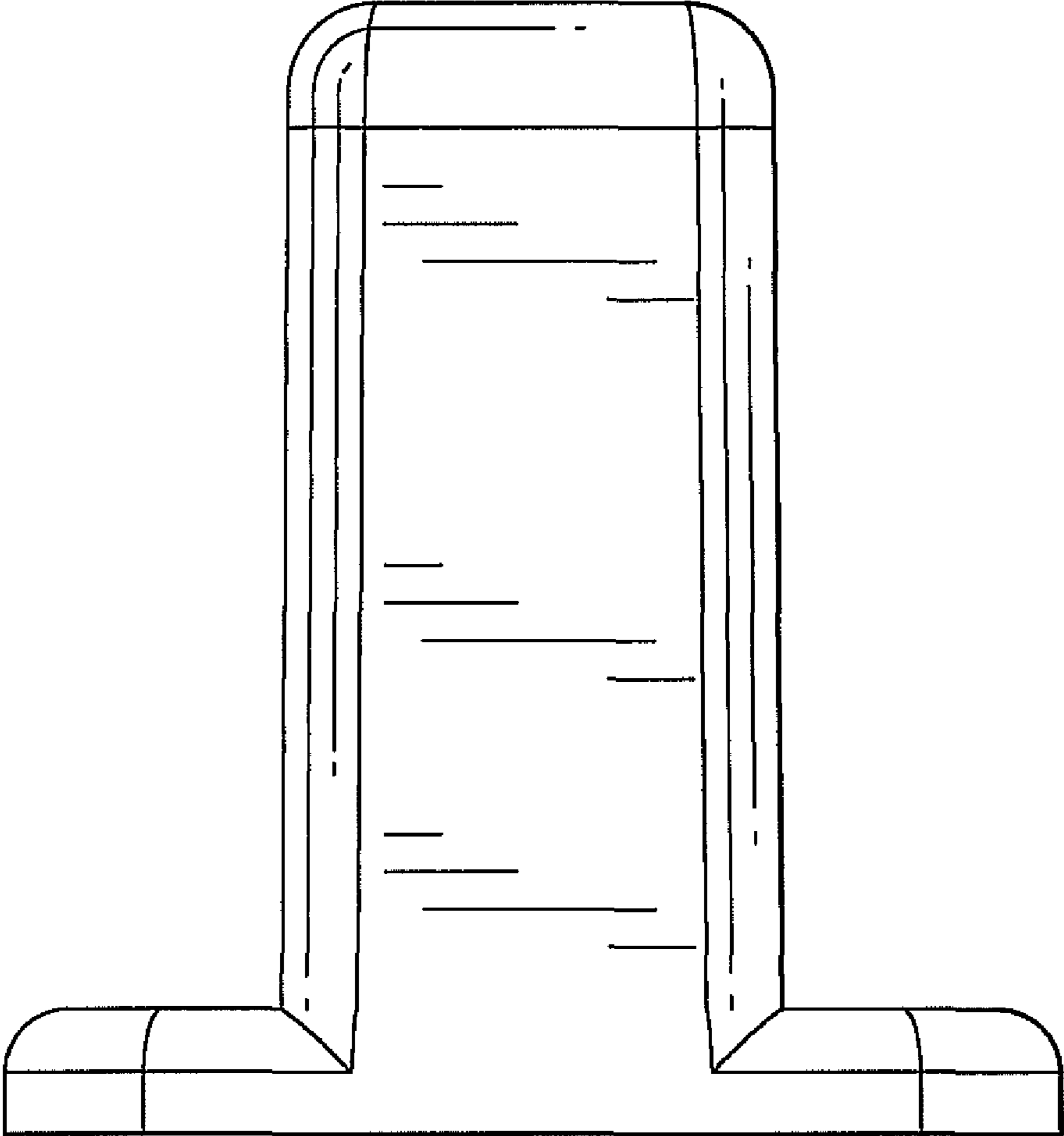


FIG. 6

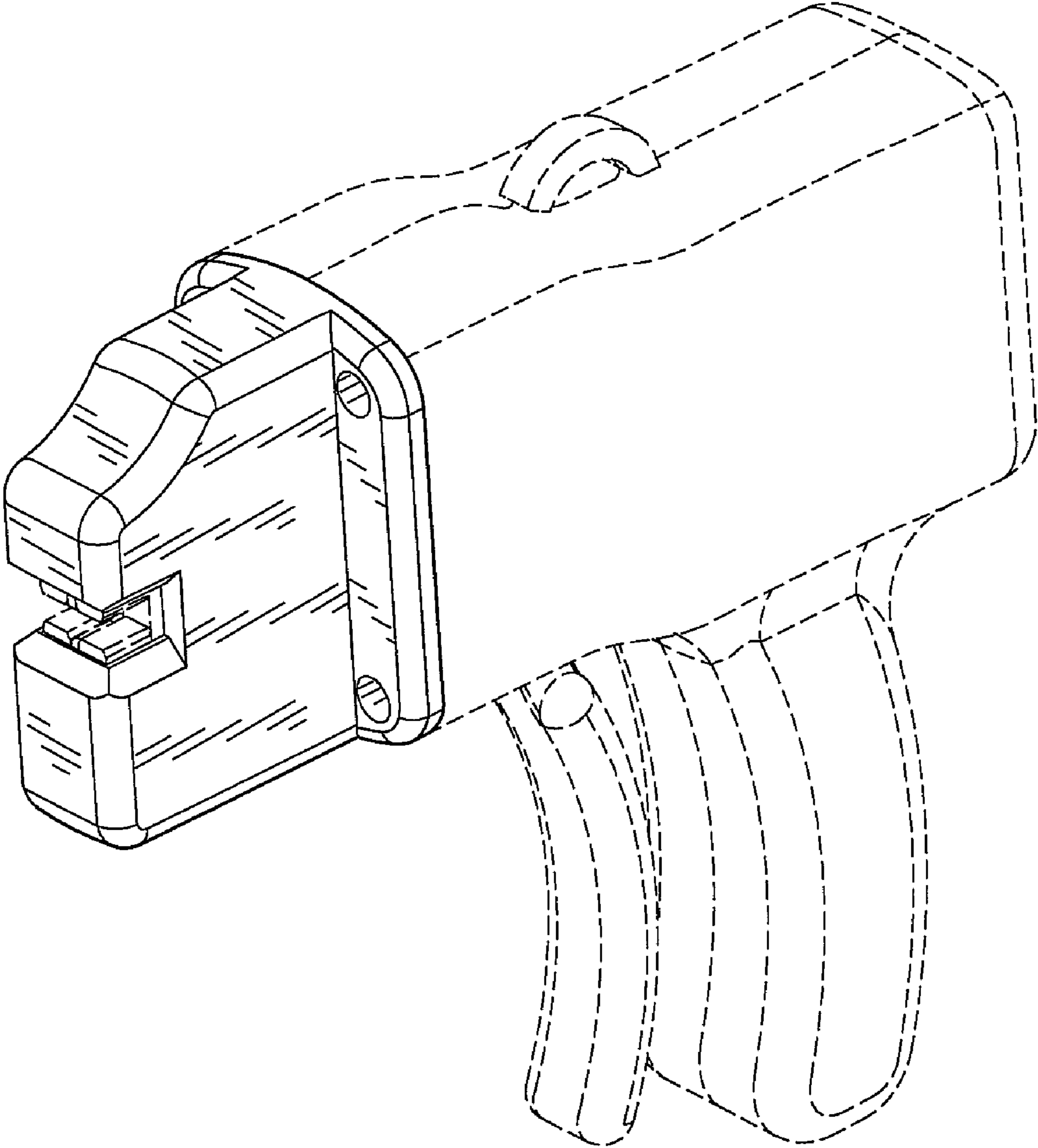


FIG. 7