



US00D678370S

(12) **United States Design Patent**
Inkster

(10) **Patent No.:** **US D678,370 S**
(45) **Date of Patent:** **** Mar. 19, 2013**

(54) **TURBO PLANE BLADE WITH THREE TEETH**

(76) Inventor: **Kevin Ross Inkster**, Perth (AU)

(**) Term: **14 Years**

(21) Appl. No.: **29/421,006**

(22) Filed: **May 4, 2012**

(30) **Foreign Application Priority Data**

Nov. 10, 2011 (AU) 15050/2011

(51) **LOC (9) Cl.** **15-09**

(52) **U.S. Cl.** **D15/139**

(58) **Field of Classification Search** D7/412;
D8/16; D15/138, 139; 407/42, 112-119
See application file for complete search history.

(56) **References Cited**

U.S. PATENT DOCUMENTS

4,522,538	A *	6/1985	Lindsay	407/35
D333,311	S *	2/1993	Davis	D15/127
D401,252	S *	11/1998	Tudhope et al.	D15/138
D442,193	S *	5/2001	Isaksson	D15/139
D443,626	S *	6/2001	Martin	D15/138
D450,730	S *	11/2001	Krycki	D15/138
D538,314	S *	3/2007	Huang	D15/139

2011/0013995	A1 *	1/2011	Hecht	407/33
2011/0023306	A1 *	2/2011	Harris, II	30/34.2
2012/0024125	A1 *	2/2012	Walker et al.	83/402

* cited by examiner

Primary Examiner — Patricia Palasik

(57) **CLAIM**

The ornamental design for a turbo plane blade with three teeth, as shown and described.

DESCRIPTION

FIG. 1 is a front isometric view of a turbo plane blade with three teeth showing my new design;
 FIG. 2 is a back isometric view of a turbo plane blade with three teeth;
 FIG. 3 is a side isometric view of a turbo plane blade with three teeth;
 FIG. 4 is a side view of a turbo plane blade with three teeth;
 FIG. 5 is a back view of a turbo plane blade with three teeth;
 FIG. 6 is an end view of a turbo plane blade with three teeth;
 and,
 FIG. 7 is a front view of a turbo plane blade with three teeth.
 The turbo plane blade with three teeth embodying the design is for the freehand shaping of wood.

1 Claim, 2 Drawing Sheets

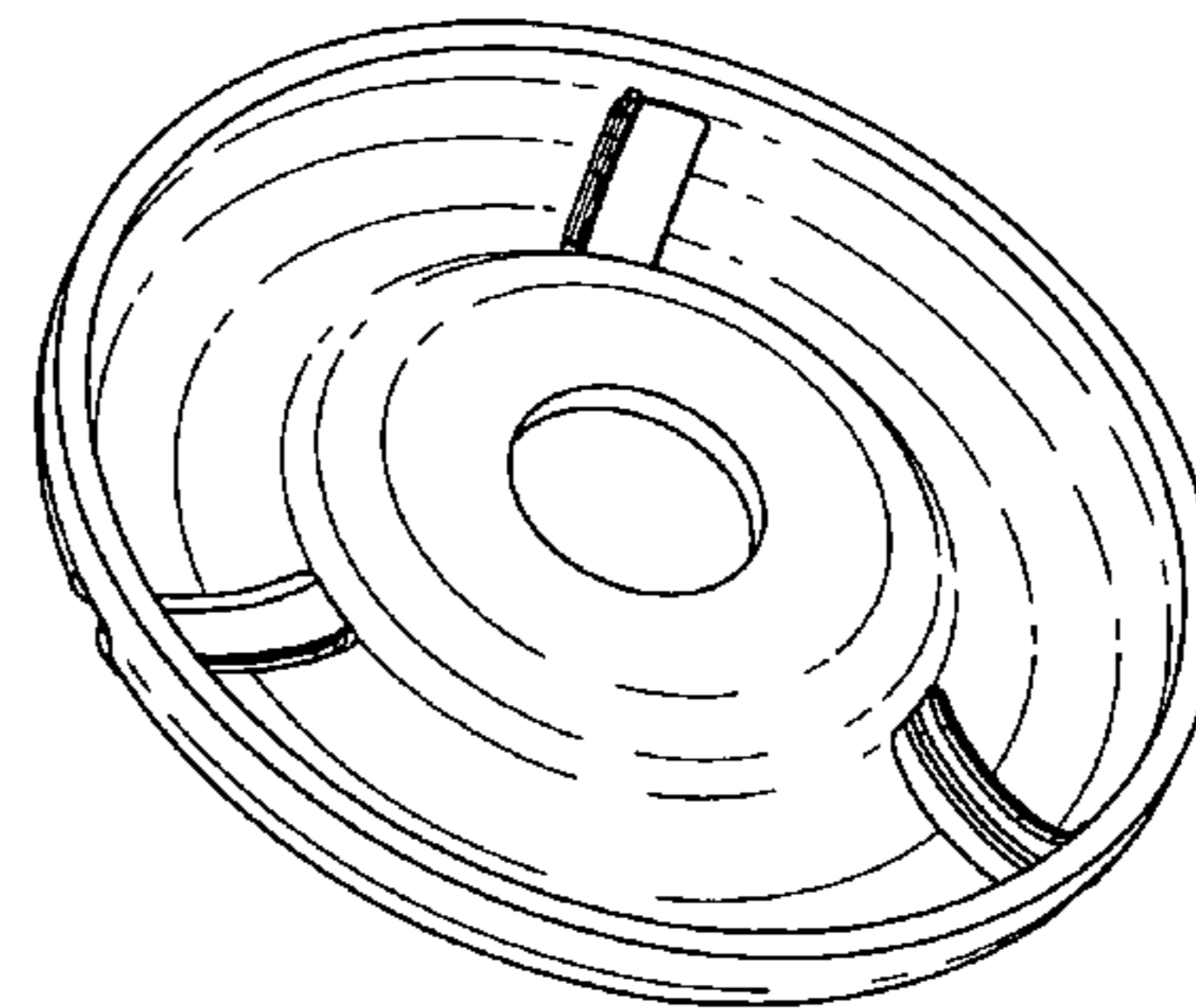
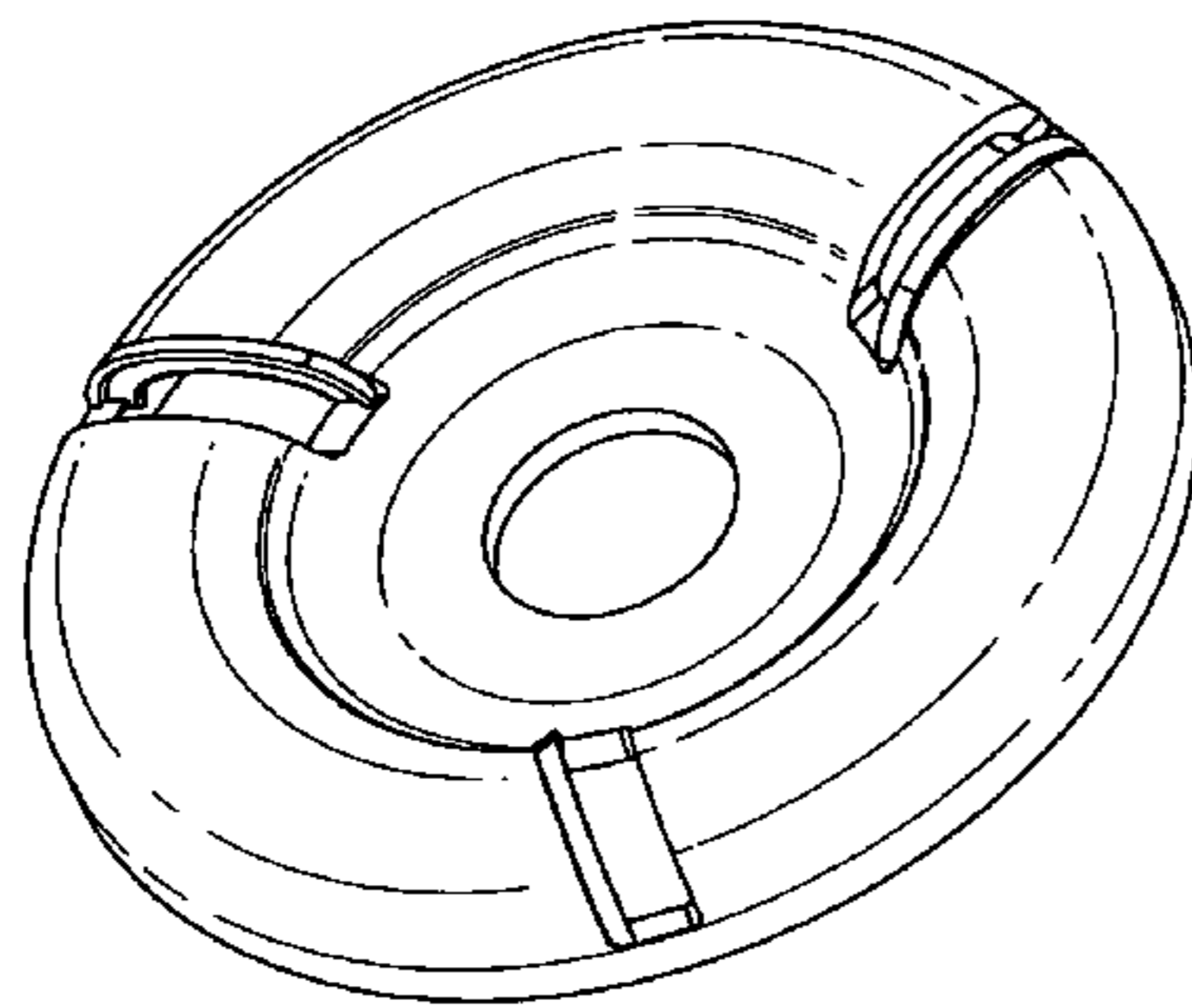


FIG. 1

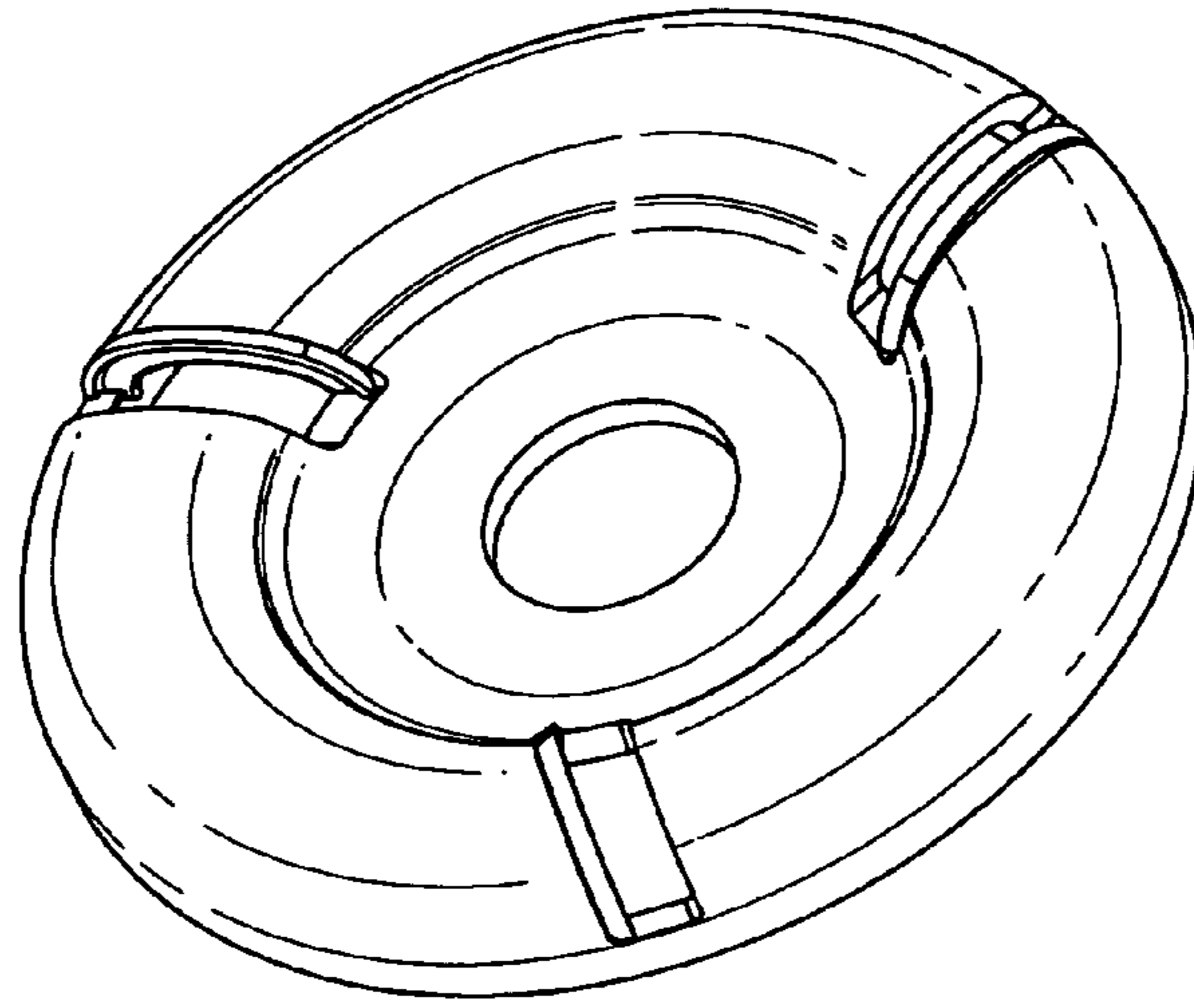


FIG. 2

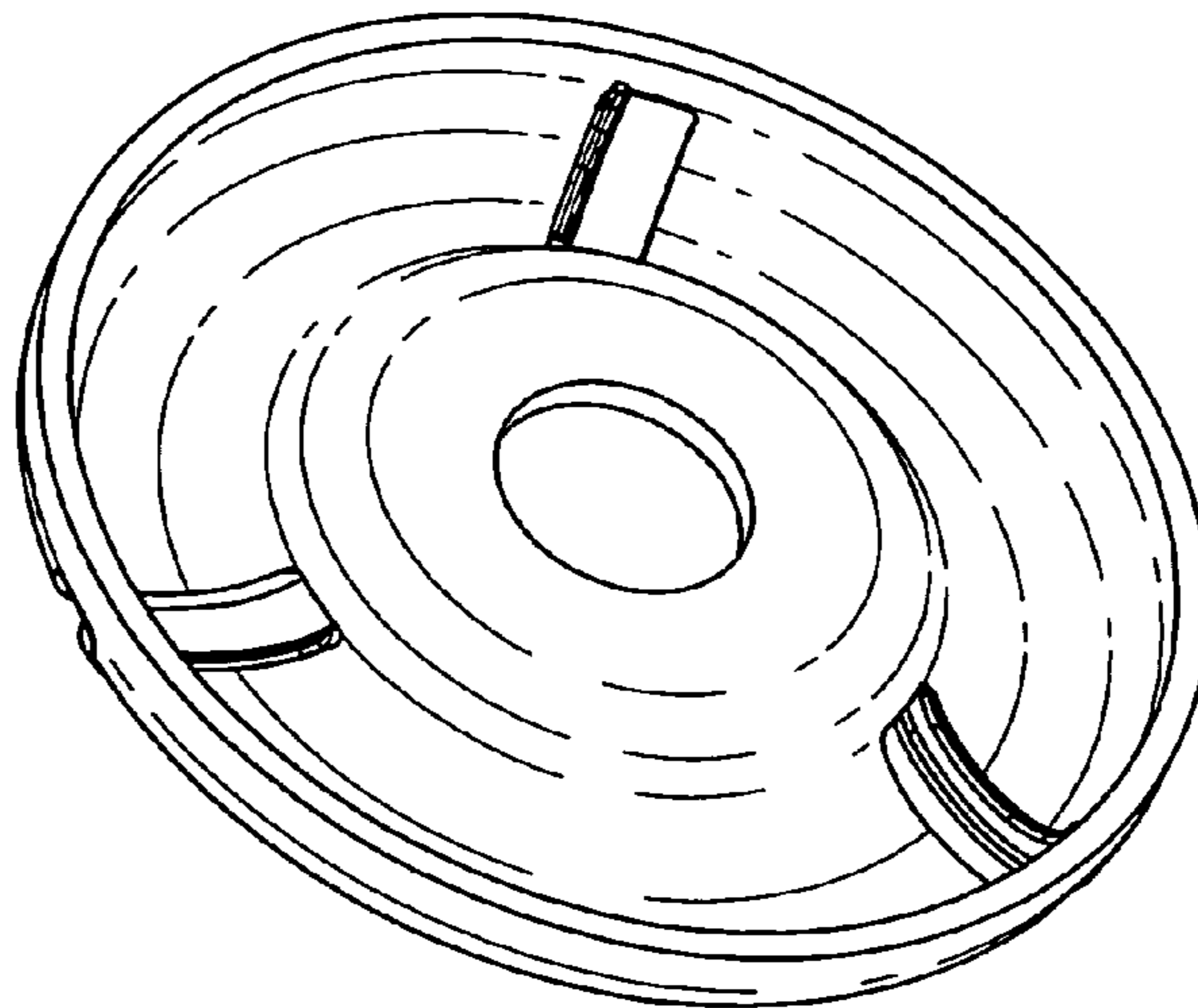


FIG. 3

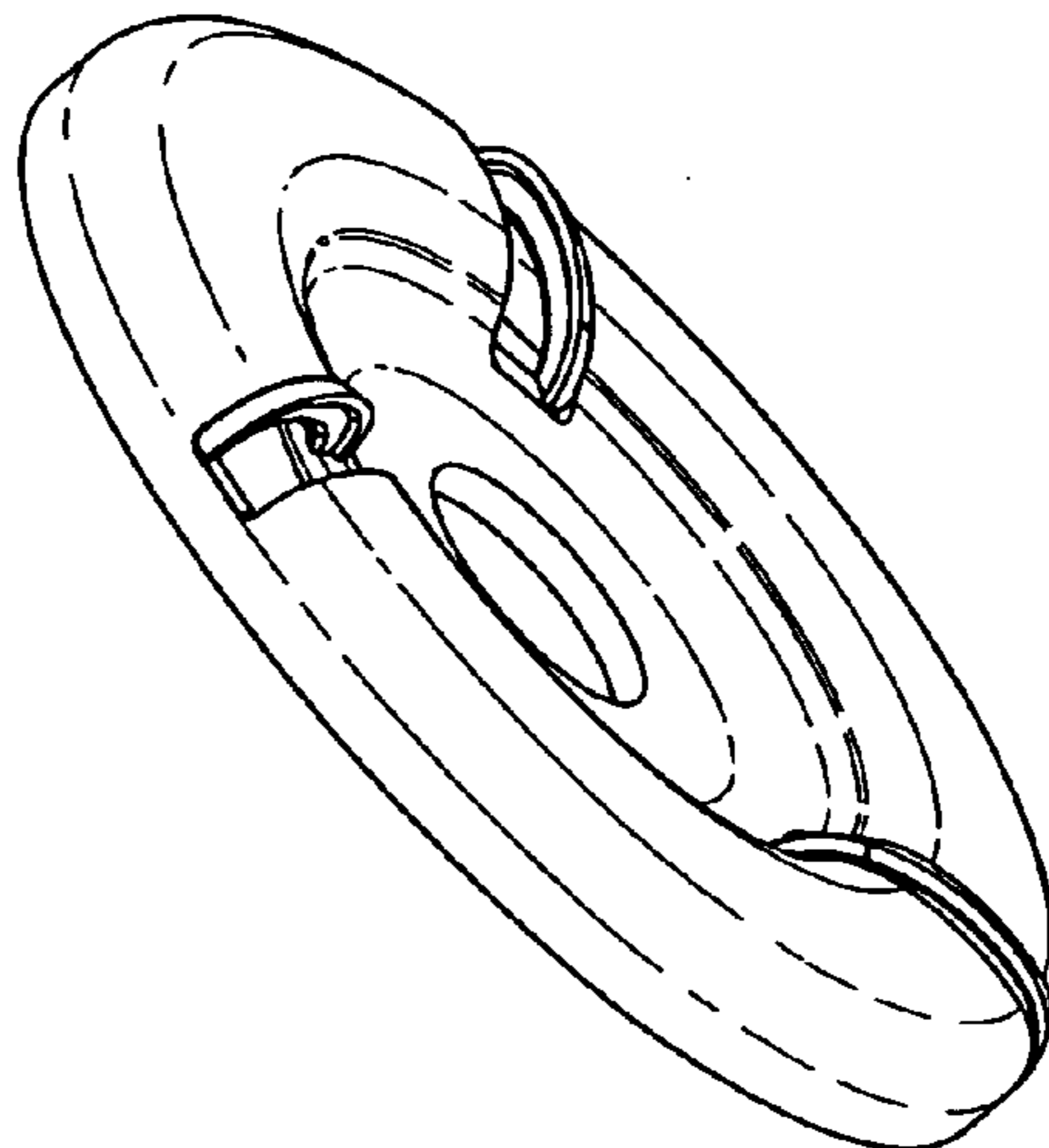


FIG. 4

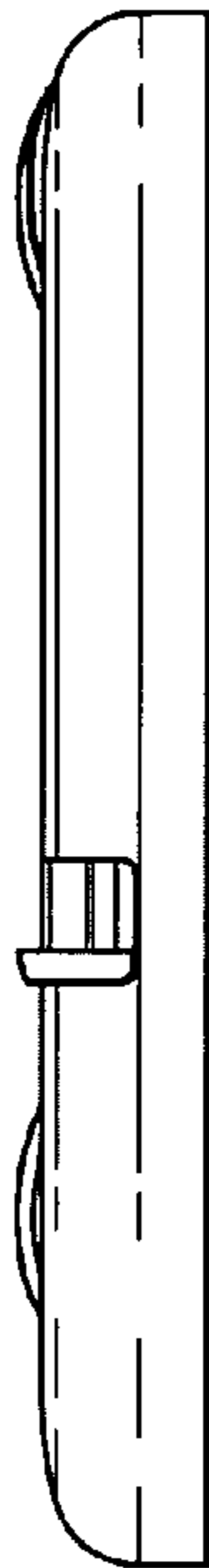


FIG. 5

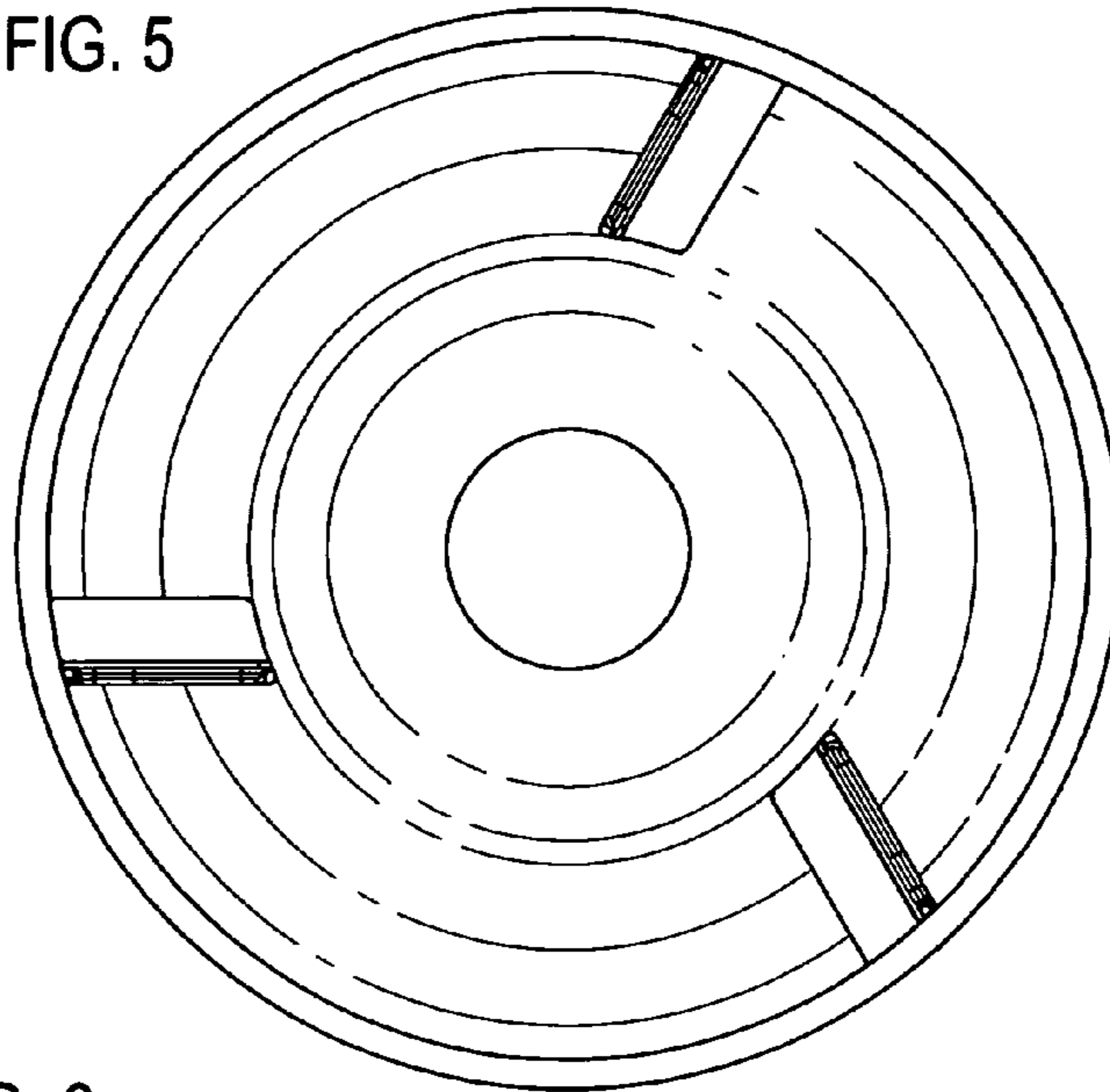


FIG. 6

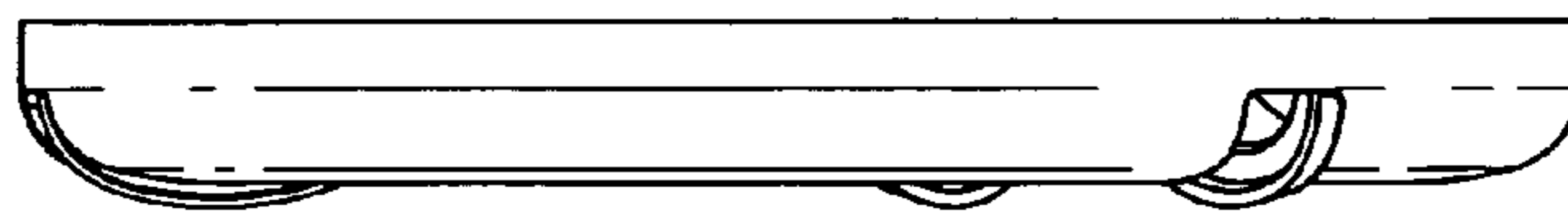


FIG. 7

