



US00D678368S

(12) **United States Design Patent**
Hall et al.

(10) **Patent No.:** **US D678,368 S**
(45) **Date of Patent:** **** Mar. 19, 2013**

(54) **DRILL BIT WITH A POINTED CUTTING ELEMENT**

(76) Inventors: **David R. Hall**, Provo, UT (US); **Francis Leany**, Salem, UT (US); **Ronald B. Crockett**, Payson, UT (US); **Casey Webb**, Provo, UT (US); **Marcus Skeem**, Provo, UT (US)

(**) Term: **14 Years**

(21) Appl. No.: **29/376,990**

(22) Filed: **Oct. 15, 2010**

Related U.S. Application Data

(63) Continuation-in-part of application No. 12/766,555, filed on Apr. 23, 2010, and a continuation-in-part of application No. 12/752,323, filed on Apr. 1, 2010, and a continuation-in-part of application No. 12/619,305,

(Continued)

(51) **LOC (9) Cl.** **15-09**

(52) **U.S. Cl.** **D15/139; D15/131**

(58) **Field of Classification Search** D15/131, D15/132, 138, 139, 140; 175/377, 378, 393, 175/415, 417, 418, 420.1, 429, 430; 177/378, 177/379, 385, 393, 418, 420.1, 421, 427, 177/429, 430, 431, 432; 299/29, 79.1
See application file for complete search history.

(56) **References Cited**

U.S. PATENT DOCUMENTS

616,118 A	12/1889	Kunhe
465,103 A	12/1891	Wegner
946,060 A	1/1910	Looker
1,116,154 A	11/1914	Stowers
1,183,630 A	5/1916	Bryson
1,189,560 A	7/1916	Gondos
1,360,908 A	11/1920	Everson
1,387,733 A	8/1921	Midgett
1,460,671 A	7/1923	Hebsacker
1,544,757 A	7/1925	Hufford
2,169,223 A	8/1931	Christian

1,821,474 A	9/1931	Mercer
1,879,177 A	9/1932	Gault
2,054,255 A	9/1936	Howard
2,064,255 A	12/1936	Garfield
2,218,130 A	10/1940	Court
2,320,136 A	5/1943	Kammerer
2,345,024 A	3/1944	Banister
2,466,991 A	4/1949	Kammerer
2,540,464 A	2/1951	Stokes
2,544,036 A	3/1951	Kammerer
2,725,215 A	9/1955	Macneir
2,755,071 A	7/1956	Kammerer
2,776,619 A	1/1957	Brown
2,776,819 A	1/1957	Brown
2,619,043 A	1/1958	Henderson
2,819,043 A	1/1958	Henderson
2,838,284 A	6/1958	Austin
2,894,722 A	7/1959	Buttolph
2,901,223 A	8/1959	Scott
2,963,102 A	12/1960	Smith
3,135,341 A	6/1964	Ritter
3,294,186 A	12/1966	Buell
3,301,339 A	1/1967	Pennebaker
3,379,264 A	4/1968	Cox
3,429,380 A	2/1969	Bennett
3,429,390 A	2/1969	Bennett
3,493,165 A	2/1970	Schonfield
3,583,504 A	6/1971	Aalund

(Continued)

Primary Examiner — Patricia Palasik

(74) *Attorney, Agent, or Firm* — Philip W. Townsend, III

(57) **CLAIM**

The ornamental design for a drill bit with a pointed cutting element, as shown and described.

DESCRIPTION

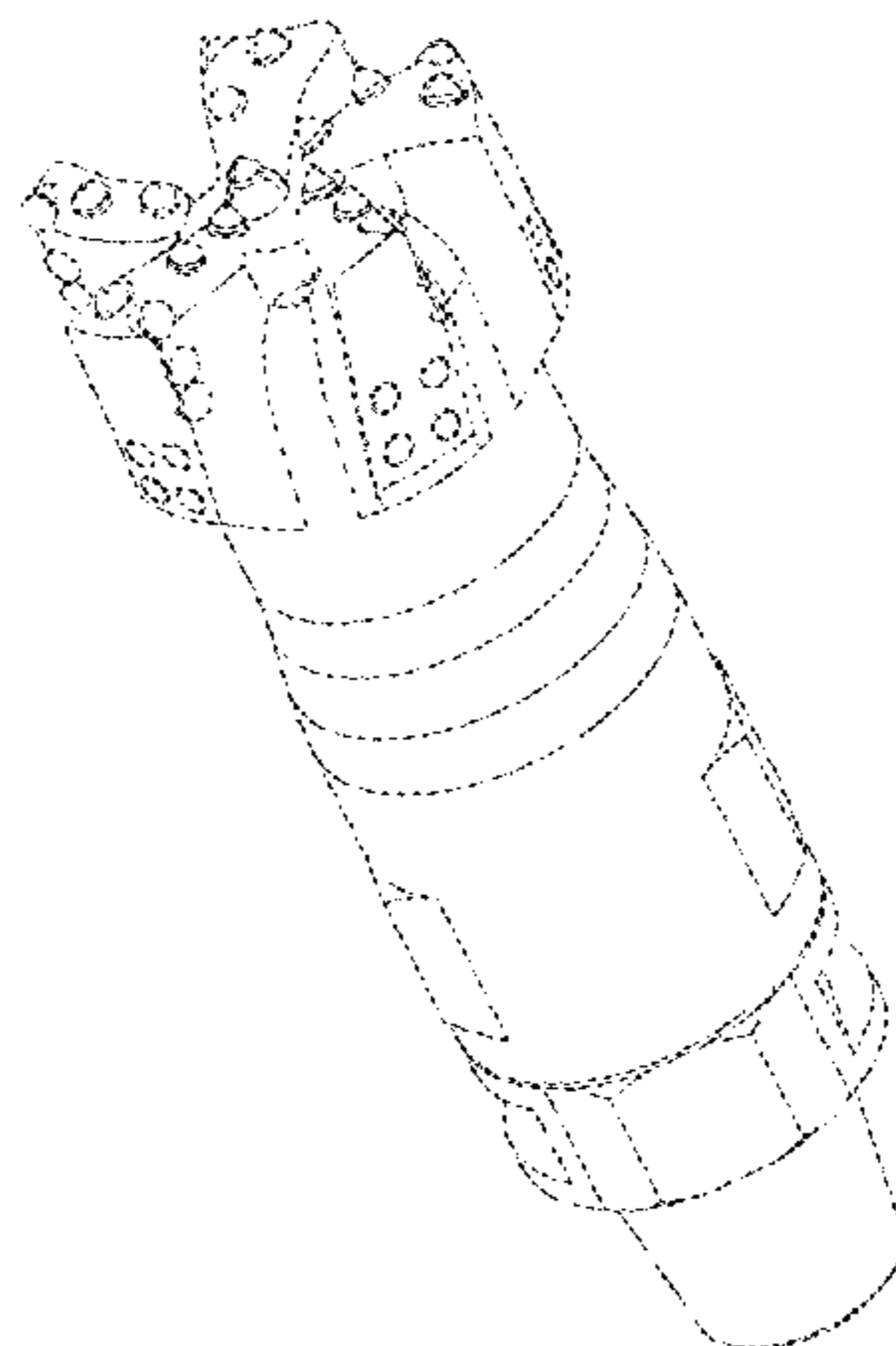
FIG. 1 is a bottom perspective view of a drill bit with a pointed cutting element.

FIG. 2 is a side view of a drill bit with a pointed cutting element; and,

FIG. 3 is a perspective view of a drill bit with a pointed cutting element.

The broken lines in the drawings depict unclaimed environmental subject matter.

1 Claim, 2 Drawing Sheets



Related U.S. Application Data

filed on Nov. 16, 2009, which is a continuation-in-part of application No. 11/766,975, filed on Jun. 22, 2007, now Pat. No. 8,122,980, application No. 29/376,990, which is a continuation-in-part of application No. 11/673,634, filed on Feb. 12, 2007, now Pat. No. 8,109,349.

(56)

References Cited

U.S. PATENT DOCUMENTS

3,764,493 A	10/1973	Rosar	5,582,261 A	12/1996	Keith
3,821,993 A	7/1974	Kniff	5,655,614 A	8/1997	Azar
3,955,635 A	5/1976	Skidmore	5,678,644 A	10/1997	Felder
3,960,223 A	6/1976	Kleine	5,732,784 A	3/1998	Nelson
4,081,042 A	3/1978	Johnson	5,794,728 A	8/1998	Palmberg
4,096,917 A	6/1978	Harris	5,848,657 A	12/1998	Flood
4,106,577 A	8/1978	Summer	5,896,938 A	4/1999	Moeny
4,109,737 A	8/1978	Bovenkerk	5,947,215 A	9/1999	Lundell
4,176,723 A	12/1979	Arceneaux	5,950,743 A	9/1999	Cox
4,253,533 A	3/1981	Baker	5,957,223 A	9/1999	Doster
4,280,573 A	7/1981	Sudnishnikov	5,957,225 A	9/1999	Sinor
4,304,312 A	12/1981	Larsson	5,967,247 A	10/1999	Pessier
4,307,786 A	12/1981	Evans	5,979,571 A	11/1999	Scott
4,397,361 A	8/1983	Langford	5,992,547 A	11/1999	Caraway
4,416,339 A	11/1983	Baker	5,992,548 A	11/1999	Silva
4,445,580 A	5/1984	Sahley	6,021,859 A	2/2000	Tibbitts
4,448,269 A	5/1984	Ishikawa	6,039,131 A	3/2000	Beaton
4,499,795 A	2/1985	Radtke	6,131,675 A	10/2000	Anderson
4,531,592 A	7/1985	Hayatdavoudi	6,150,822 A	11/2000	Hong
4,535,853 A	8/1985	Ippolito	6,164,394 A	12/2000	Mesa-Wilmot
4,538,691 A	9/1985	Dennis	6,186,251 B1	2/2001	Butcher
4,545,441 A	10/1985	Williamson	6,202,761 B1	3/2001	Forney
4,566,545 A	1/1986	Story	6,213,226 B1	4/2001	Eppink
4,574,895 A	3/1986	Dolezal	6,223,824 B1	5/2001	Moyes
4,640,374 A	2/1987	Dennis	6,269,893 B1	8/2001	Beaton
4,852,672 A	8/1989	Behrens	6,296,069 B1	10/2001	Lamine
4,889,017 A	12/1989	Fuller	6,332,503 B1	12/2001	Pessier
4,932,484 A	6/1990	Warren	6,340,064 B2	1/2002	Felder
4,962,822 A	10/1990	Pascale	6,364,034 B1	4/2002	Schoeffler
4,981,184 A	1/1991	Knowlton	6,394,200 B1	5/2002	Watson
5,009,273 A	4/1991	Grabinski	6,408,959 B2	6/2002	Bertagnolli
5,027,914 A	7/1991	Wilson	6,439,326 B1	8/2002	Huang et al.
5,038,873 A	8/1991	Jurgens	6,474,425 B1	11/2002	Truax
5,119,892 A	6/1992	Clegg	6,478,383 B1 *	11/2002	Ojanen et al. 299/104
5,141,063 A	8/1992	Quesenbury	6,484,825 B2	11/2002	Watson
5,145,017 A	9/1992	Holster	6,484,826 B1	11/2002	Anderson
5,186,268 A	2/1993	Clegg	6,510,906 B1	1/2003	Richert
5,222,566 A	6/1993	Taylor	6,513,606 B1	2/2003	Krueger
5,238,075 A	8/1993	Keith	6,533,050 B2	3/2003	Molloy
5,255,749 A	10/1993	Bumpurs	6,564,886 B1	5/2003	Mesa-Wilmot
5,265,682 A	11/1993	Russell	6,594,881 B2	7/2003	Tibbitts
5,265,685 A	11/1993	Keith	6,601,454 B1	8/2003	Botnan
5,346,025 A	9/1994	Keith	6,622,803 B2	9/2003	Harvey et al.
5,361,859 A	11/1994	Tibbitts	6,668,949 B1	12/2003	Rives
5,410,303 A	4/1995	Comeau	6,672,406 B2	1/2004	Beuershausen
5,417,292 A	5/1995	Polakoff	6,729,420 B2	5/2004	Mesa-Wilmot
5,423,389 A	6/1995	Warren	6,732,817 B2	5/2004	Dewey
5,507,357 A	4/1996	Hult	6,822,579 B2	11/2004	Goswani
5,549,171 A	8/1996	Mesa-Wilmot	6,929,076 B2	8/2005	Fanuel
5,551,522 A	9/1996	Keith	6,953,096 B2	10/2005	Glenhill
5,560,440 A	10/1996	Tibbitts	D566,137 S *	4/2008	Hall et al. D15/21
5,568,838 A	10/1996	Struthers	D572,735 S *	7/2008	Kammerer D15/139
			D620,510 S *	7/2010	Hall D15/139
			2001/0004946 A1	6/2001	Jensen
			2003/0209366 A1 *	11/2003	McAlvain 175/427
			2003/0213621 A1	11/2003	Britten
			2004/0026132 A1 *	2/2004	Hall et al. 175/427
			2004/0065484 A1 *	4/2004	McAlvain 175/434
			2004/0238221 A1	12/2004	Runia
			2004/0256155 A1	12/2004	Kriesels
			2006/0033379 A1 *	2/2006	Frear 299/107
			2006/0196699 A1	9/2006	Estes
			2008/0029312 A1 *	2/2008	Hall et al. 175/429

* cited by examiner

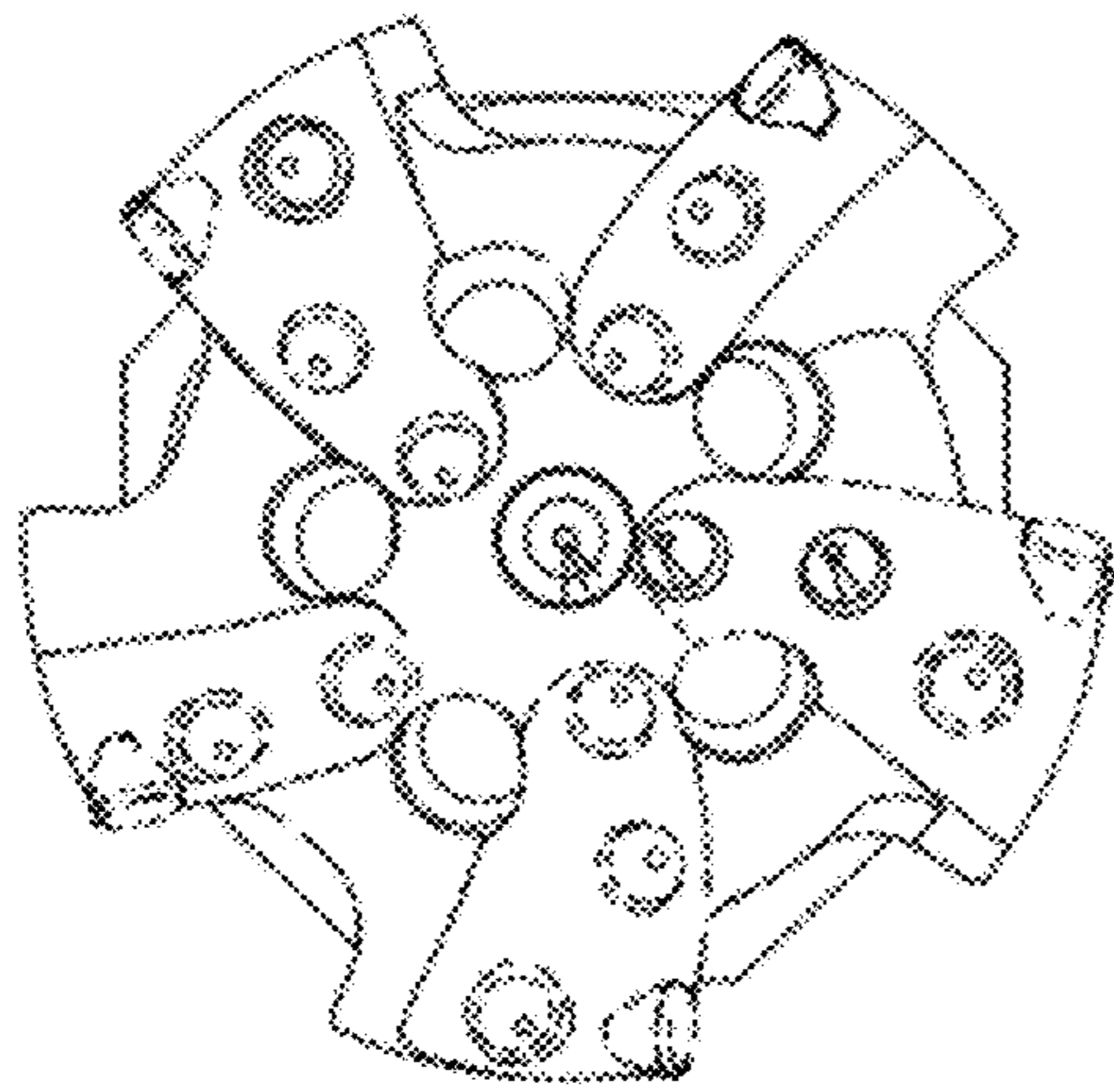


Fig. 1

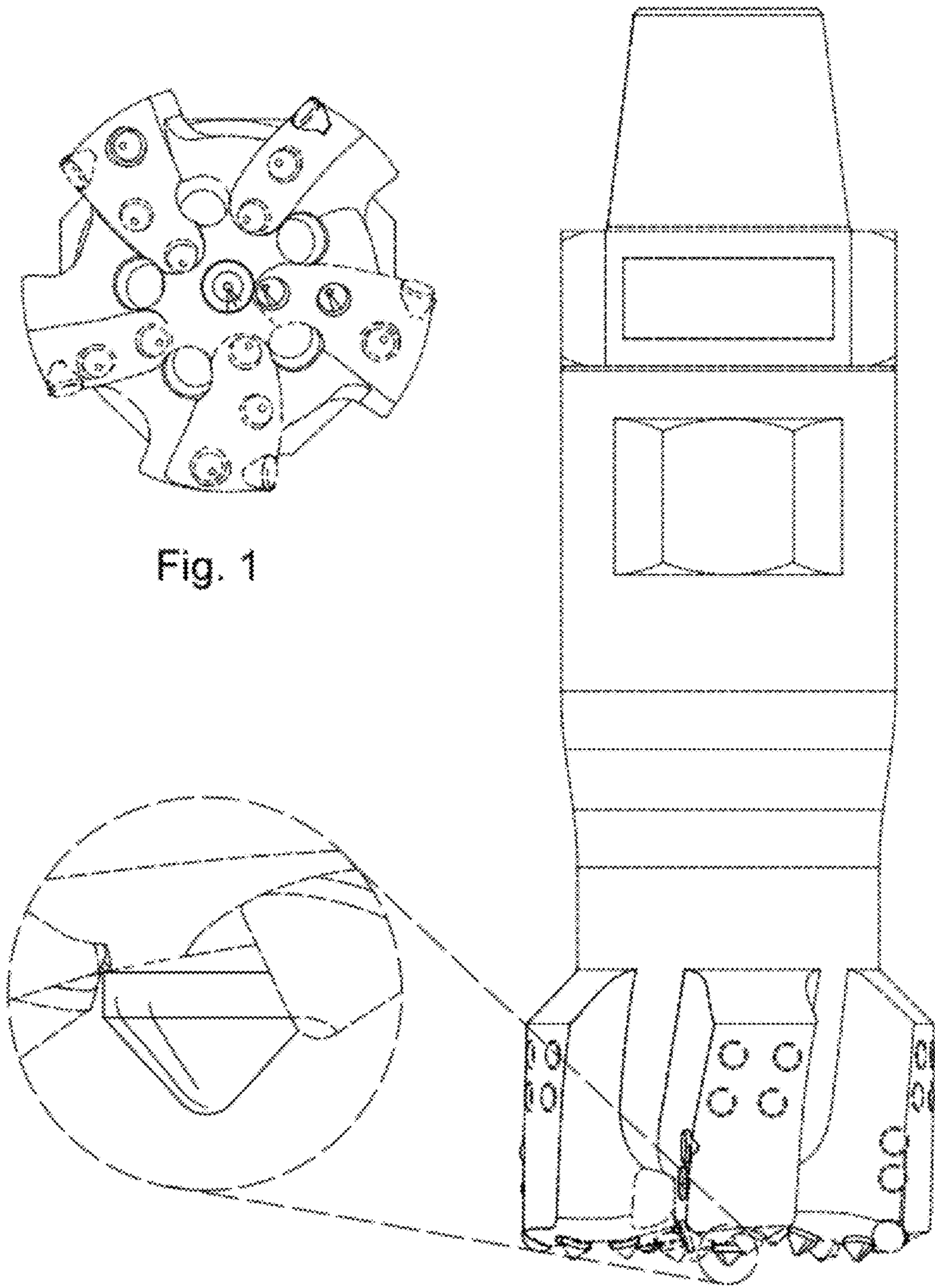


Fig. 2

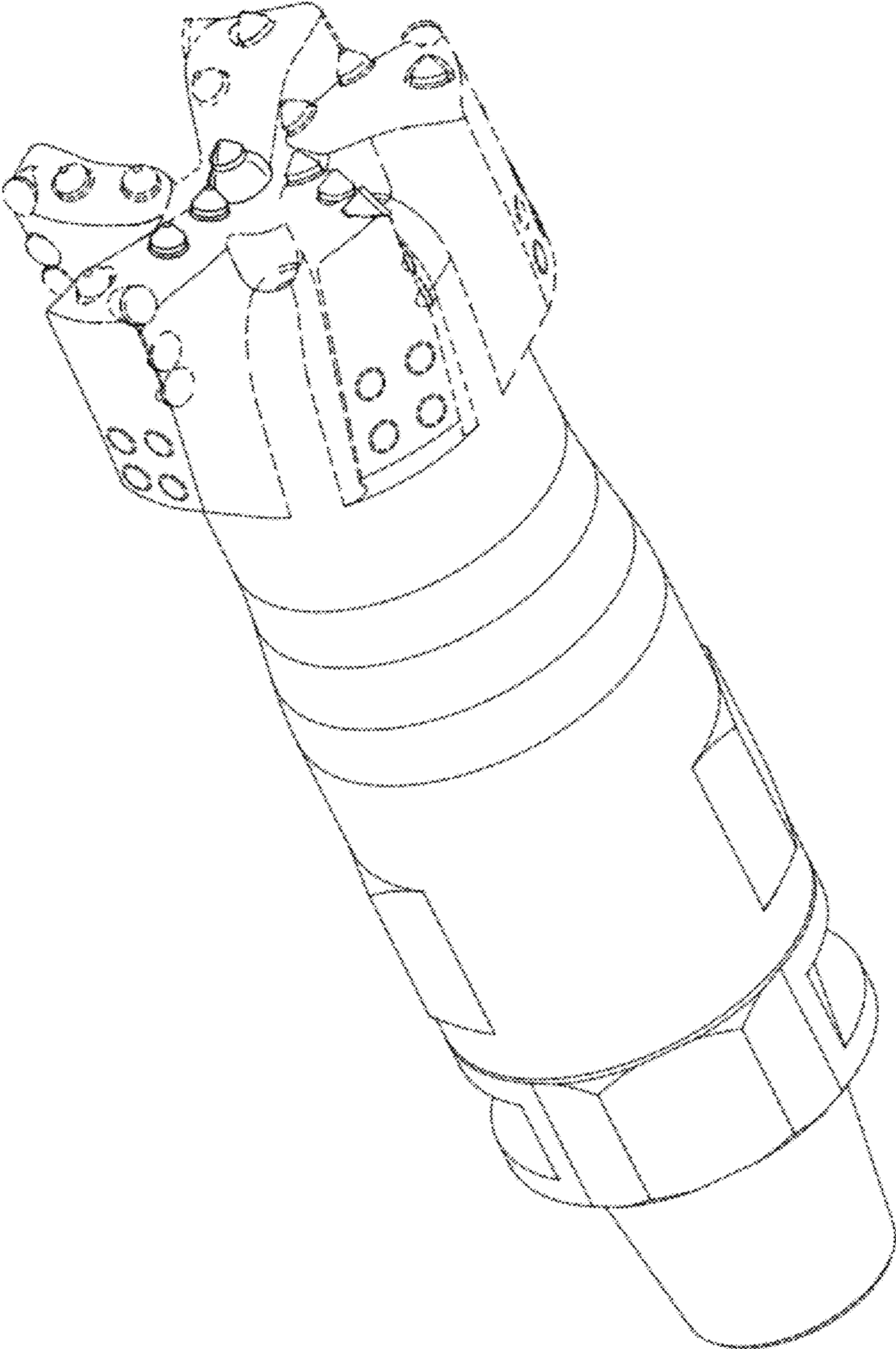


Fig. 3