



US00D678364S

(12) **United States Design Patent**
Resch

(10) **Patent No.:** **US D678,364 S**
(45) **Date of Patent:** **** Mar. 19, 2013**

(54) **REFRIGERATING APPARATUS**
(75) Inventor: **Reinhold Resch, St. Peter (AT)**
(73) Assignee: **AHT Cooling Systems GmbH, Rottenmann (AT)**
(**) Term: **14 Years**
(21) Appl. No.: **29/405,728**
(22) Filed: **Nov. 4, 2011**

D520,530 S *	5/2006	Resch	D15/83
D521,029 S *	5/2006	Resch	D15/83
D524,330 S *	7/2006	Pedersen et al.	D15/81
D530,346 S *	10/2006	Resch	D15/83
D541,313 S *	4/2007	Resch	D15/83
D541,314 S *	4/2007	Resch	D15/83
D541,827 S *	5/2007	Resch	D15/83
D596,208 S *	7/2009	Cunnane	D15/83
D596,651 S *	7/2009	Li et al.	D15/84
D607,474 S *	1/2010	Pacher	D15/83
D621,856 S *	8/2010	Bertoli et al.	D15/83
D653,683 S *	2/2012	Resch	D15/83

* cited by examiner

(30) **Foreign Application Priority Data**

May 4, 2011 (EM) 001274419-0003

(51) **LOC (9) Cl.** **15-07**
(52) **U.S. Cl.** **D15/83**
(58) **Field of Classification Search** D15/79-91;
312/116, 236, 352, 400-409, 238.1; 62/3.1,
62/3.6-3.64, 45.1, 293, 331, 371, 440, 467,
62/529, 531, 125, 255, 457.3-457.9; D6/437,
D6/470, 471, 473

See application file for complete search history.

(56) **References Cited**

U.S. PATENT DOCUMENTS

2,159,608 A *	5/1939	Ward, Jr.	312/116
D321,197 S *	10/1991	Sekine et al.	D15/83
D449,845 S *	10/2001	Reese et al.	D15/83
D477,617 S *	7/2003	Resch	D15/83
D483,045 S *	12/2003	Resch	D15/83

Primary Examiner — Mitchell Siegel

(74) *Attorney, Agent, or Firm* — Hogan Lovells US LLP

(57) **CLAIM**

The ornamental design for a refrigerating apparatus, as shown and described.

DESCRIPTION

FIG. 1 is a perspective view of a refrigerating apparatus showing the design;

FIG. 2 is a front view thereof;

FIG. 3 is a back view thereof;

FIG. 4 is a top view thereof;

FIG. 5 is a bottom view thereof;

FIG. 6 is a left side view thereof; and,

FIG. 7 is a right side view thereof.

The elements depicted in broken lines form no part of the claimed design.

1 Claim, 7 Drawing Sheets

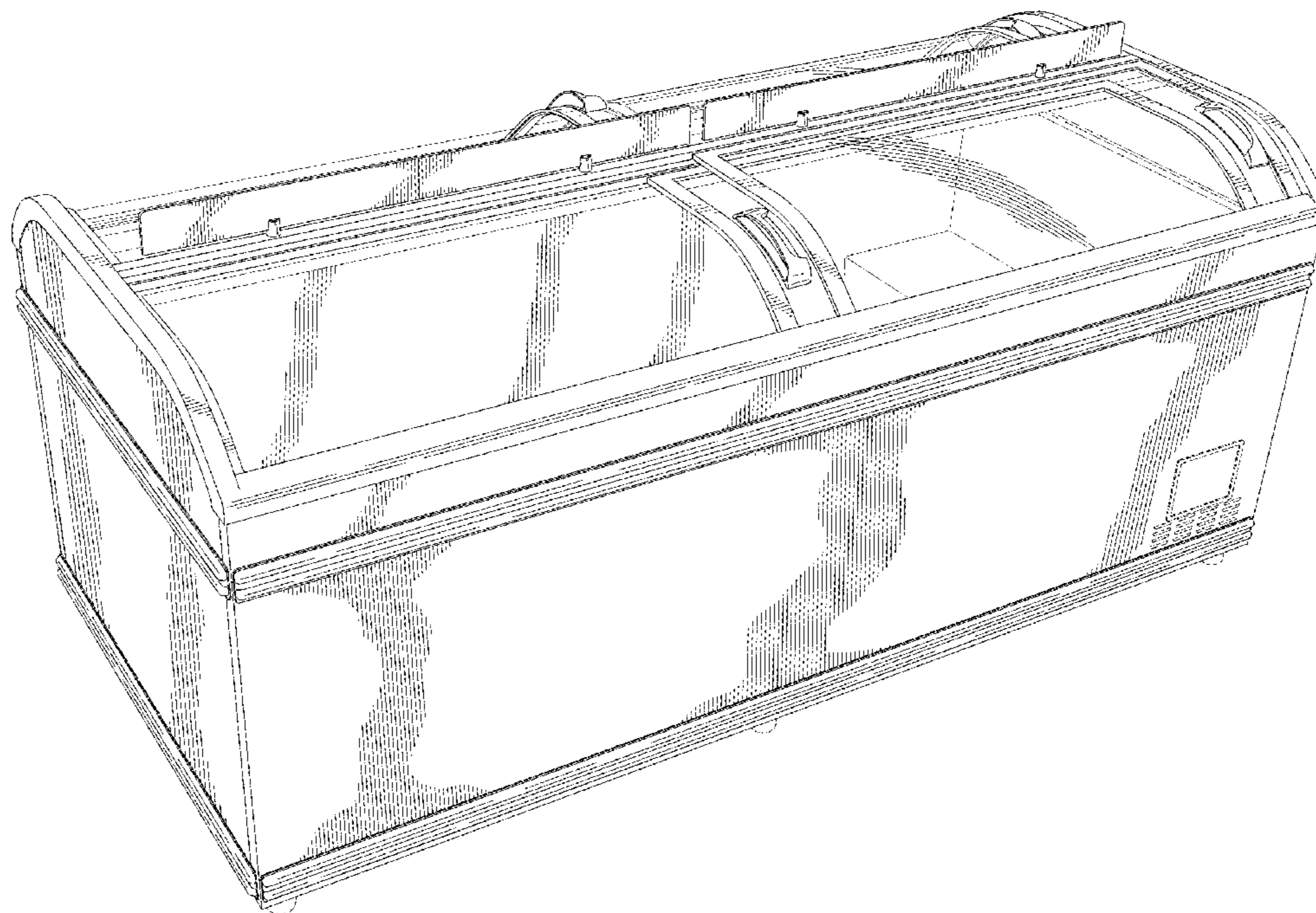


Fig. 1

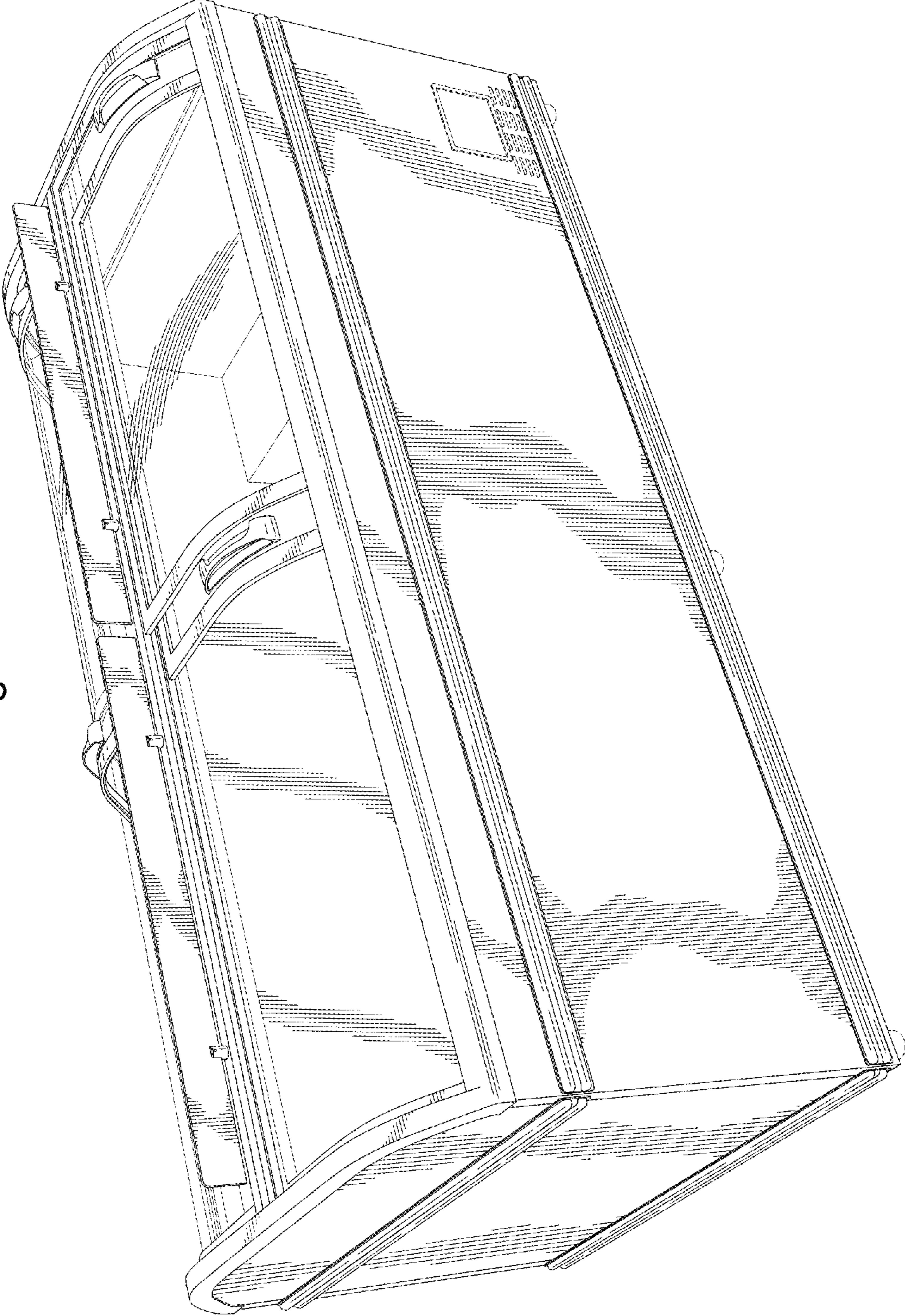


Fig. 2

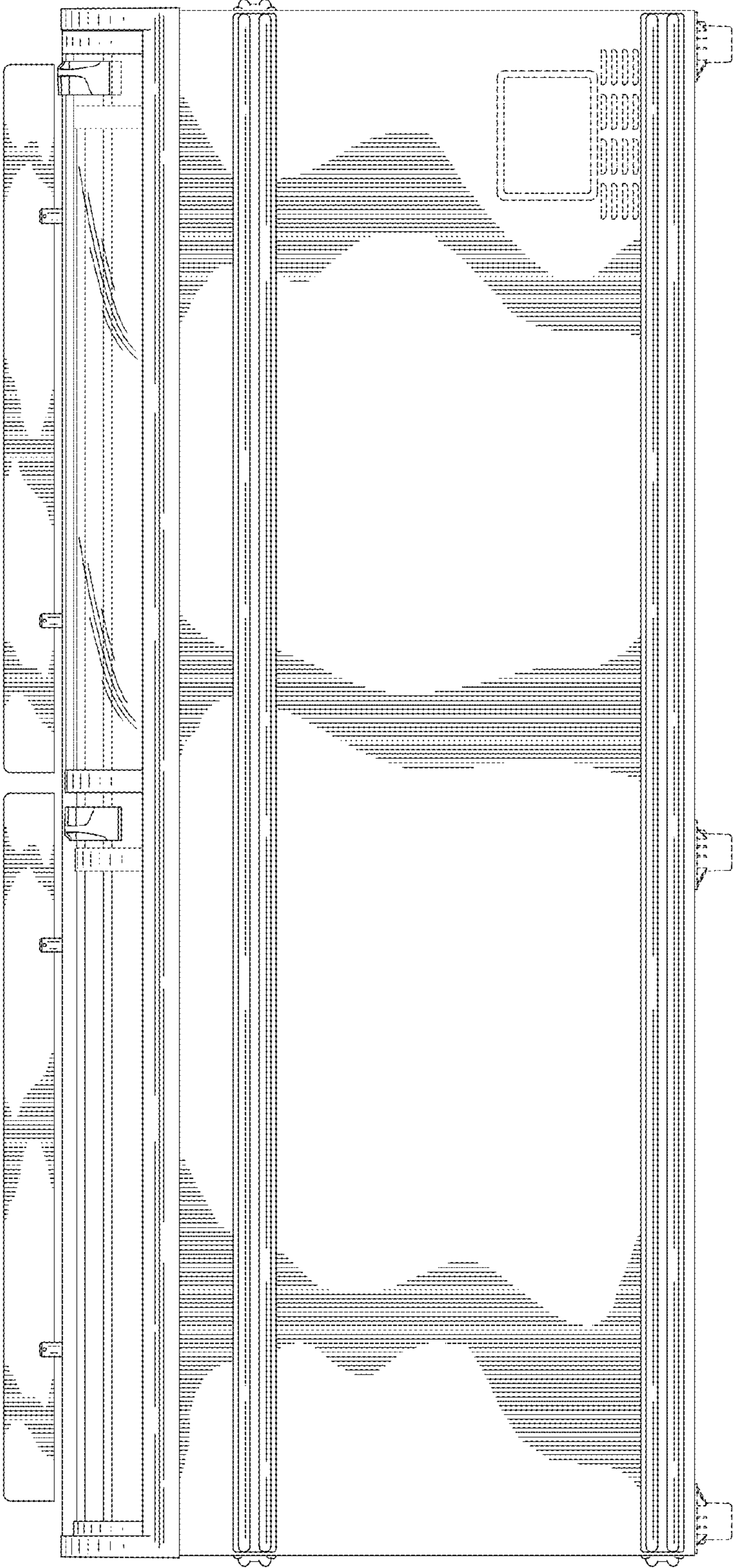


Fig. 3

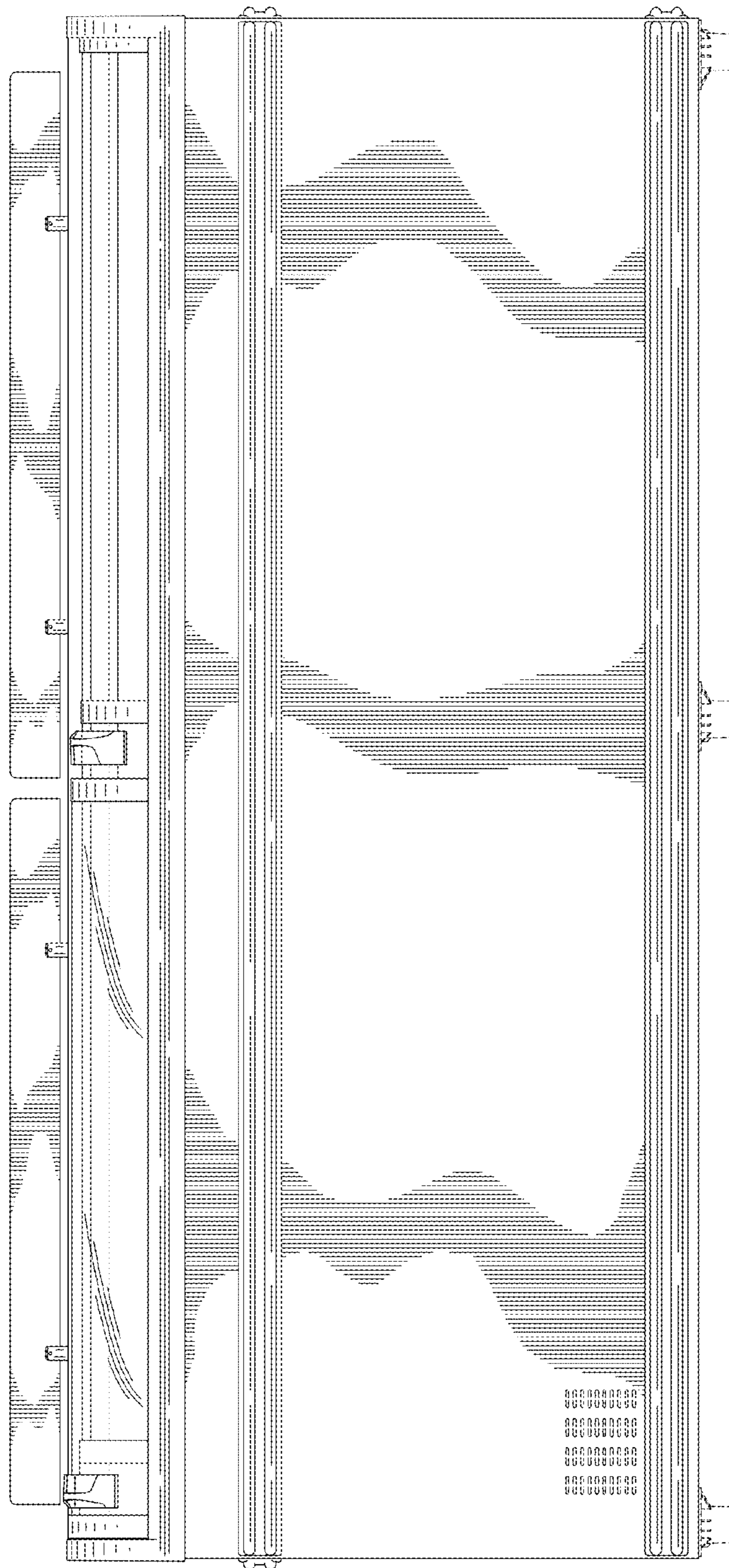
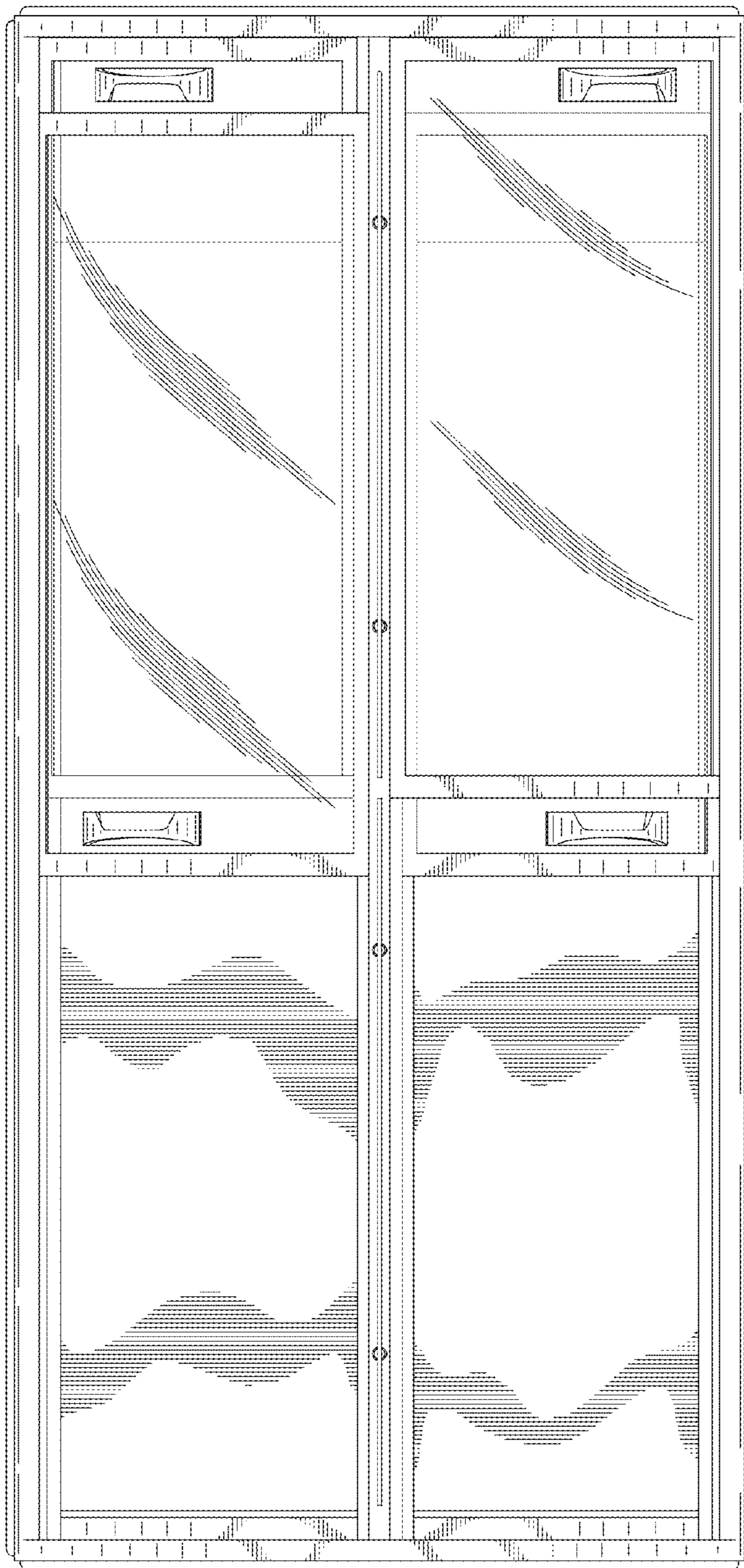


Fig. 4



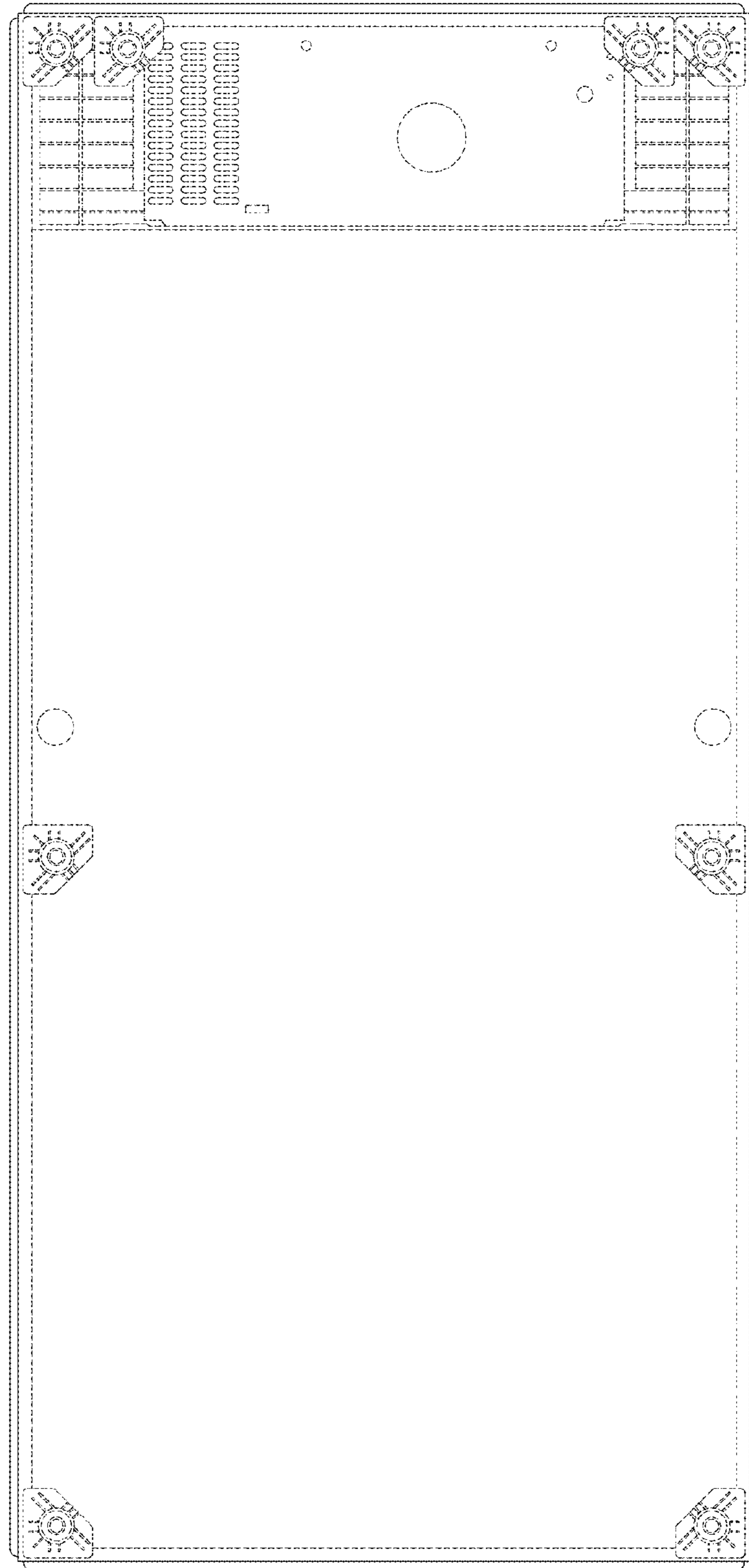


Fig. 5

Fig. 6

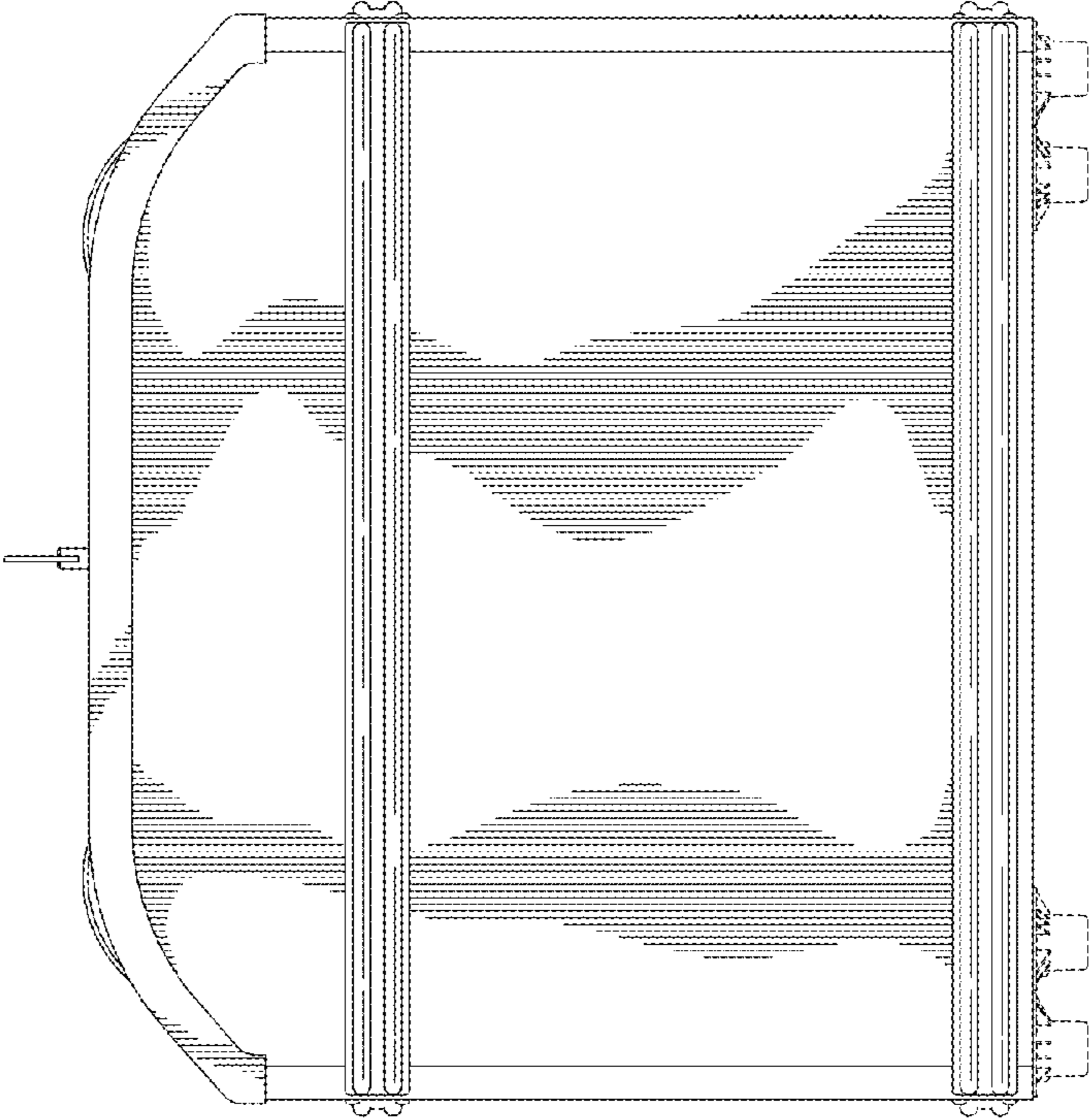


Fig. 7

