



US00D678363S

(12) **United States Design Patent**
Asano et al.

(10) **Patent No.:** **US D678,363 S**

(45) **Date of Patent:** **** Mar. 19, 2013**

(54) **SEWING MACHINE**

(75) Inventors: **Masahide Asano**, Nagoya (JP);
Mitsuharu Hattori, Nagoya (JP)

(73) Assignee: **Brother Industries, Ltd.**, Nagoya (JP)

(**) Term: **14 Years**

(21) Appl. No.: **29/416,384**

(22) Filed: **Mar. 21, 2012**

(51) **LOC (9) Cl.** **21-06**

(52) **U.S. Cl.** **D15/69**

(58) **Field of Classification Search** D15/66-76;
112/2, 63, 78, 154, 217.1-217.4, 475.01,
112/256-261

See application file for complete search history.

(56) **References Cited**

U.S. PATENT DOCUMENTS

D289,403 S *	4/1987	Yoneda	D15/69
D289,877 S *	5/1987	Yoneda	D15/69
D294,708 S *	3/1988	Amemiya	D15/69
D296,558 S *	7/1988	Yoneda	D15/69
D297,434 S *	8/1988	Yoneda	D15/69

D450,332 S *	11/2001	Kuroki et al.	D15/69
D523,030 S *	6/2006	Muto	D15/69
D524,829 S *	7/2006	Muto	D15/69
D529,054 S *	9/2006	Hosoi et al.	D15/69
D534,930 S *	1/2007	Hosoi et al.	D15/69
D578,552 S *	10/2008	Inada	D15/69
D648,758 S *	11/2011	Muto	D15/69

* cited by examiner

Primary Examiner — Mitchell Siegel

(74) *Attorney, Agent, or Firm* — Oliff & Berridge, PLC

(57) **CLAIM**

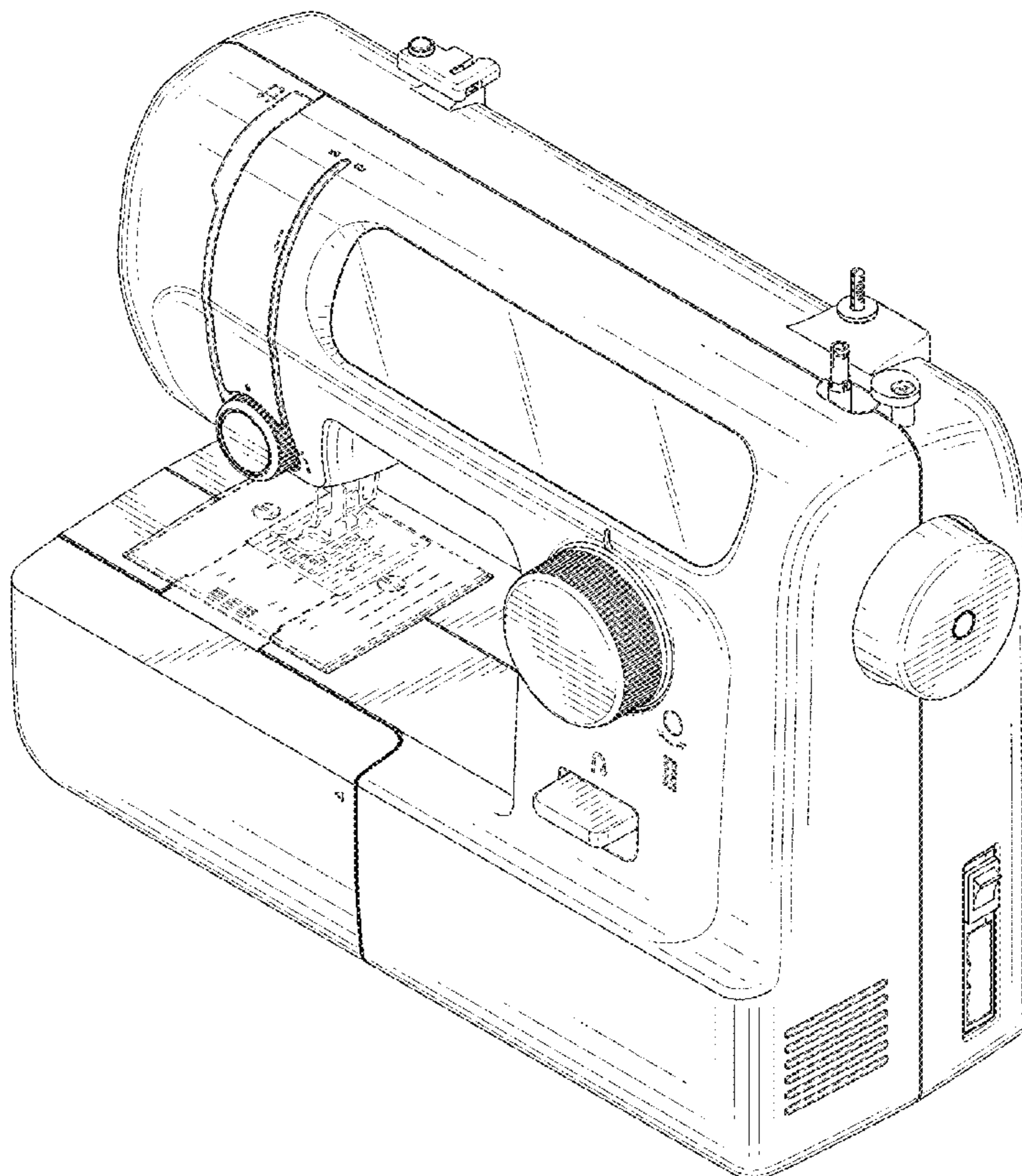
The ornamental design for a sewing machine, as shown and described.

DESCRIPTION

FIG. 1 is a perspective view of a sewing machine;
FIG. 2 is a front view thereof;
FIG. 3 is a top view thereof;
FIG. 4 is a right-side view thereof;
FIG. 5 is a left-side view thereof;
FIG. 6 is a rear view thereof; and,
FIG. 7 is a bottom view thereof.

The broken lines depict unclaimed portions only and form no part of the claimed design.

1 Claim, 7 Drawing Sheets



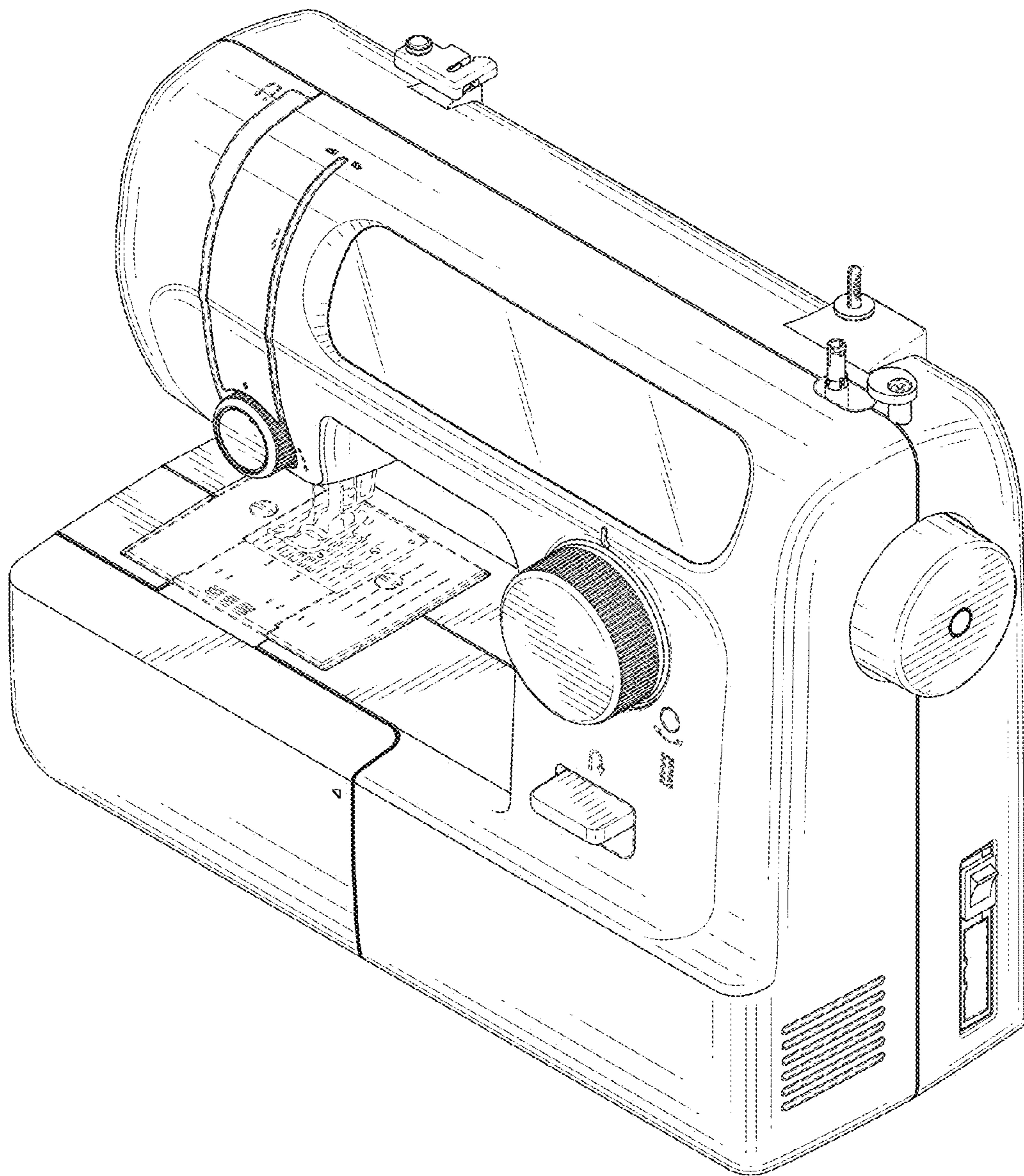


FIG. 1

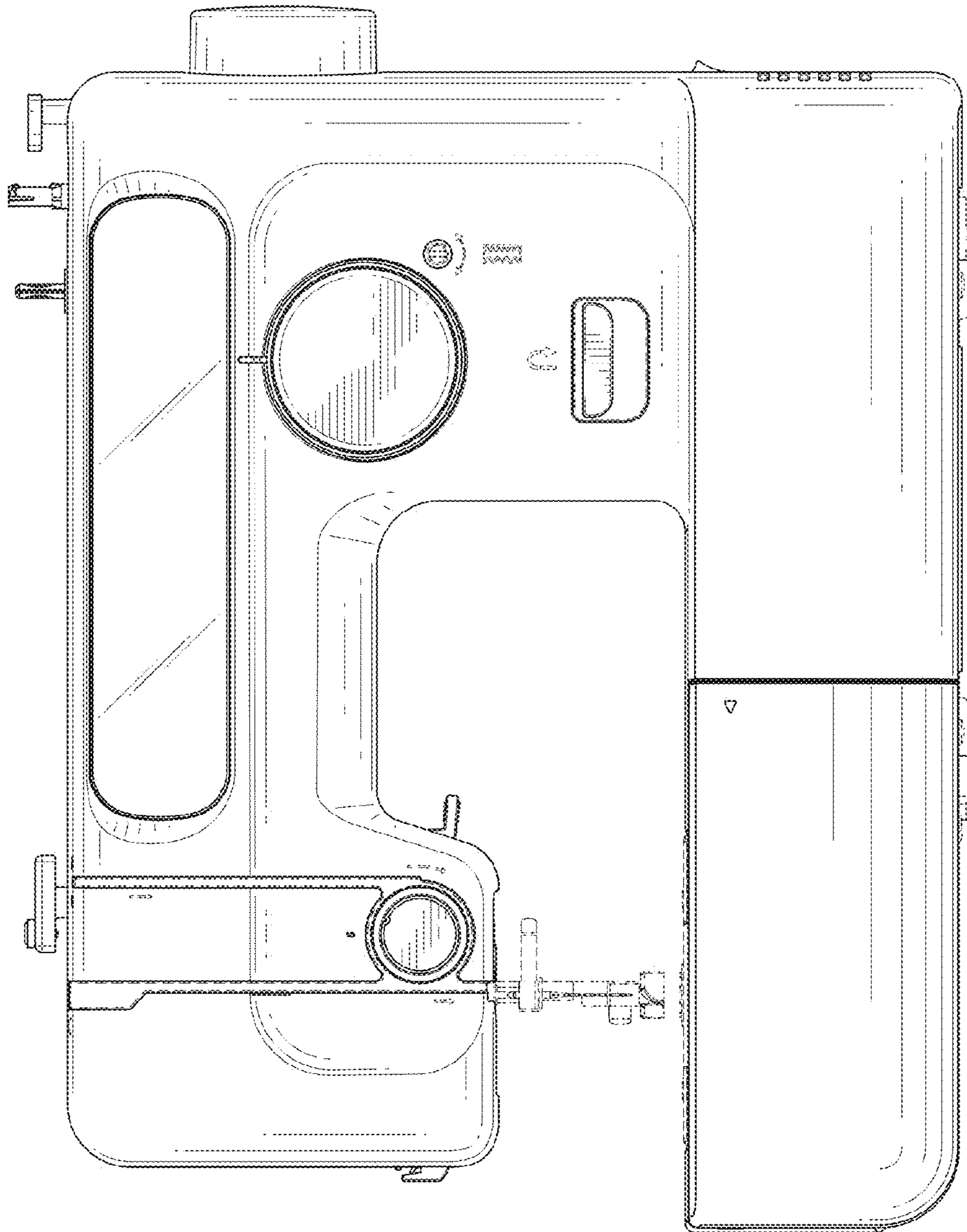


FIG. 2

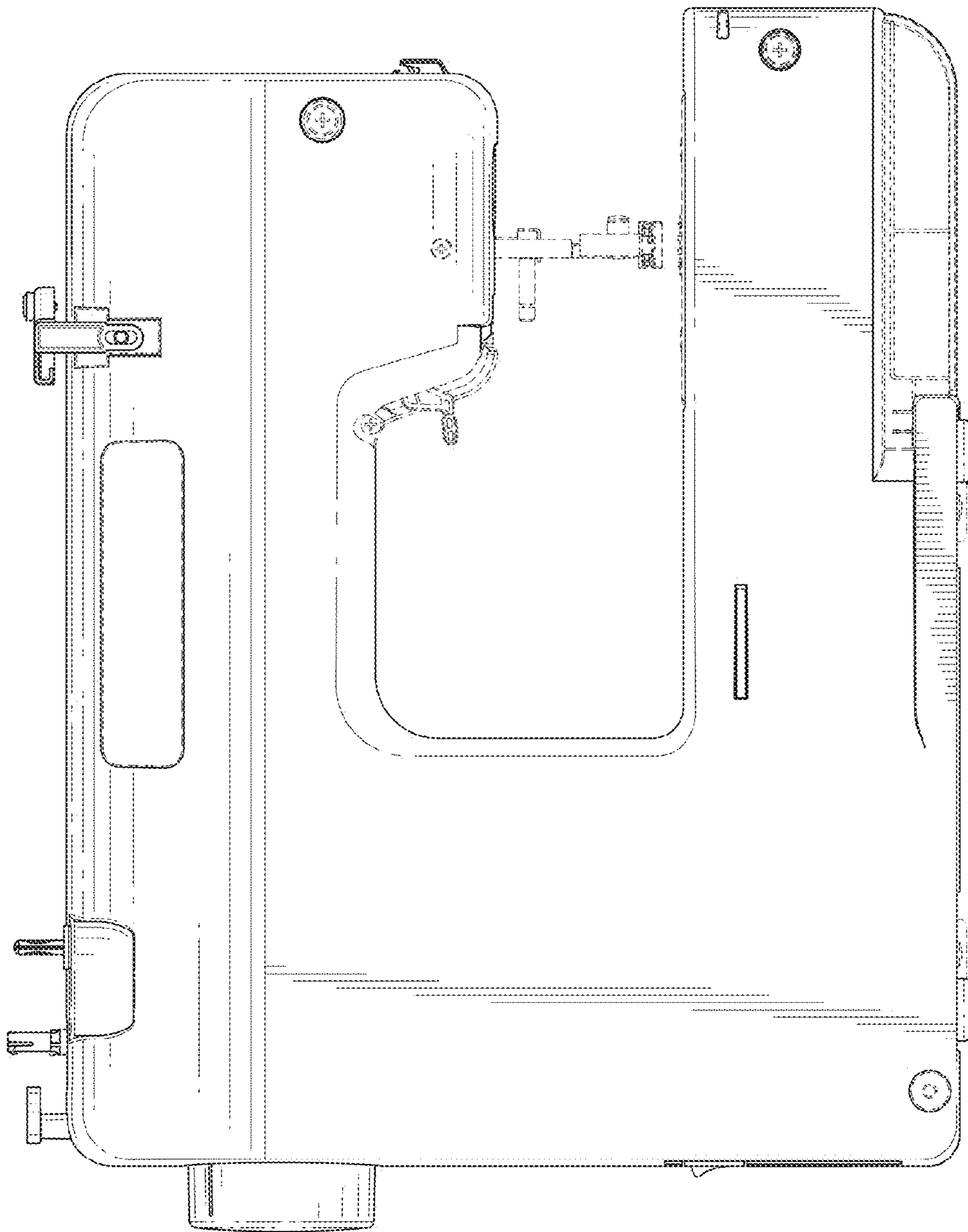


FIG. 3

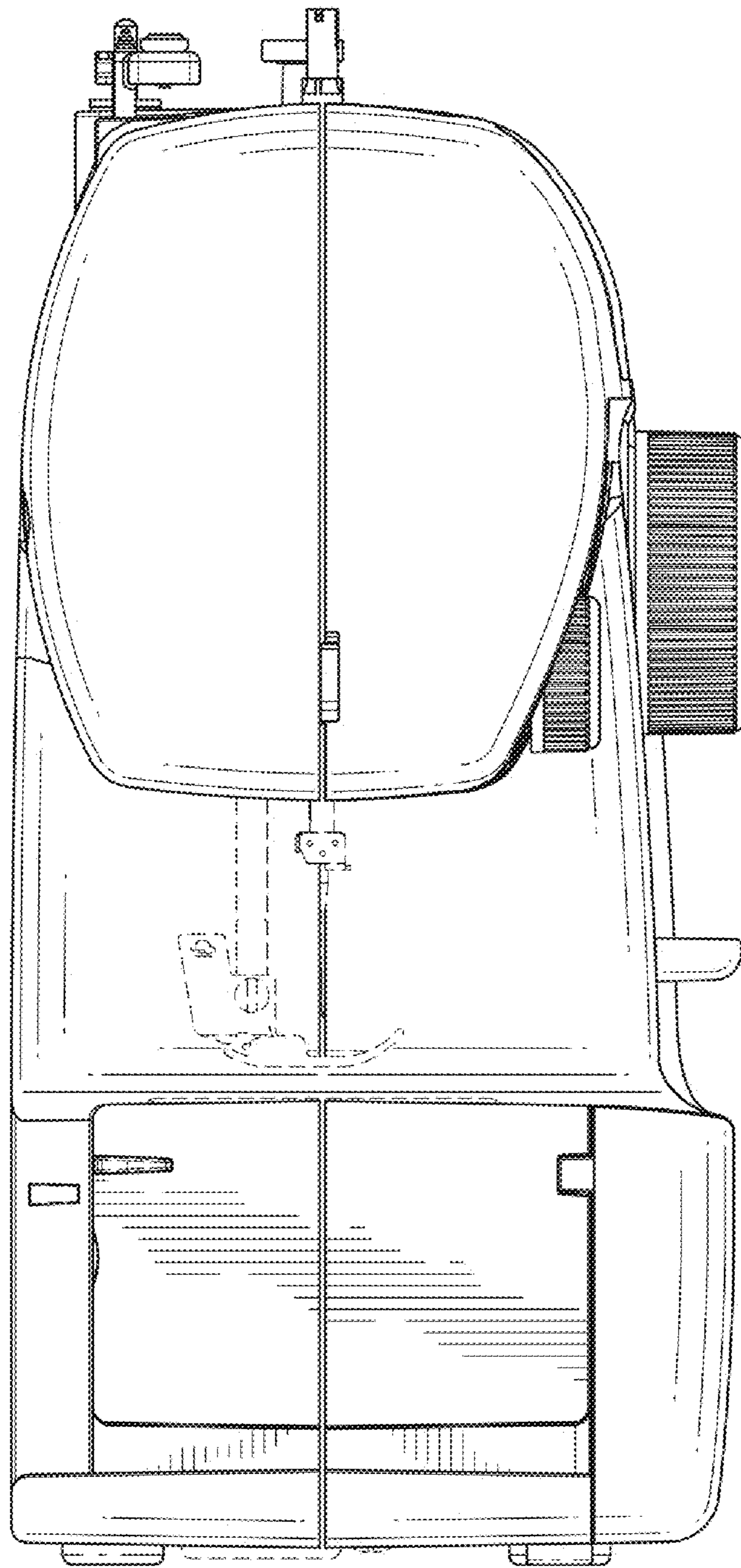


FIG. 4

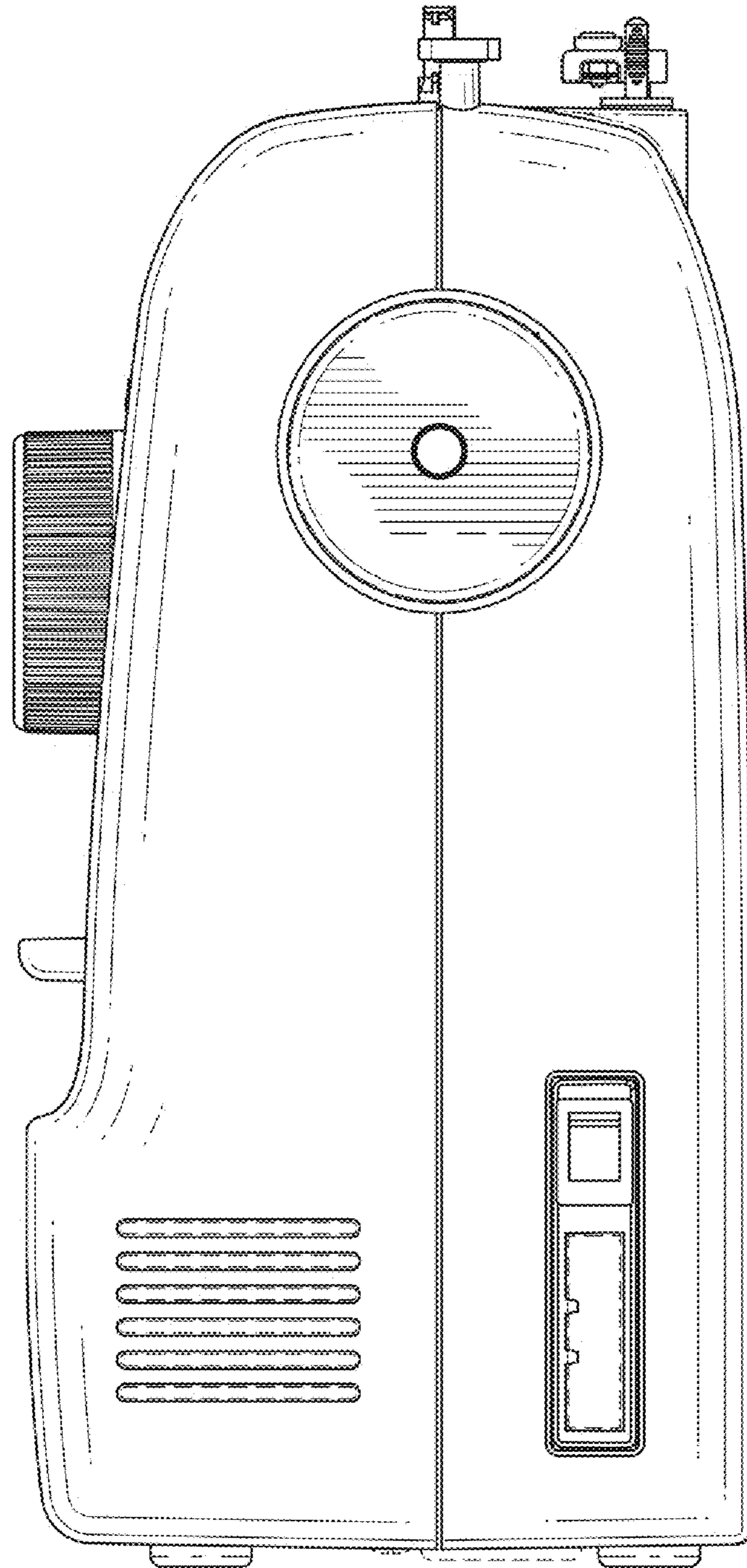


FIG. 5

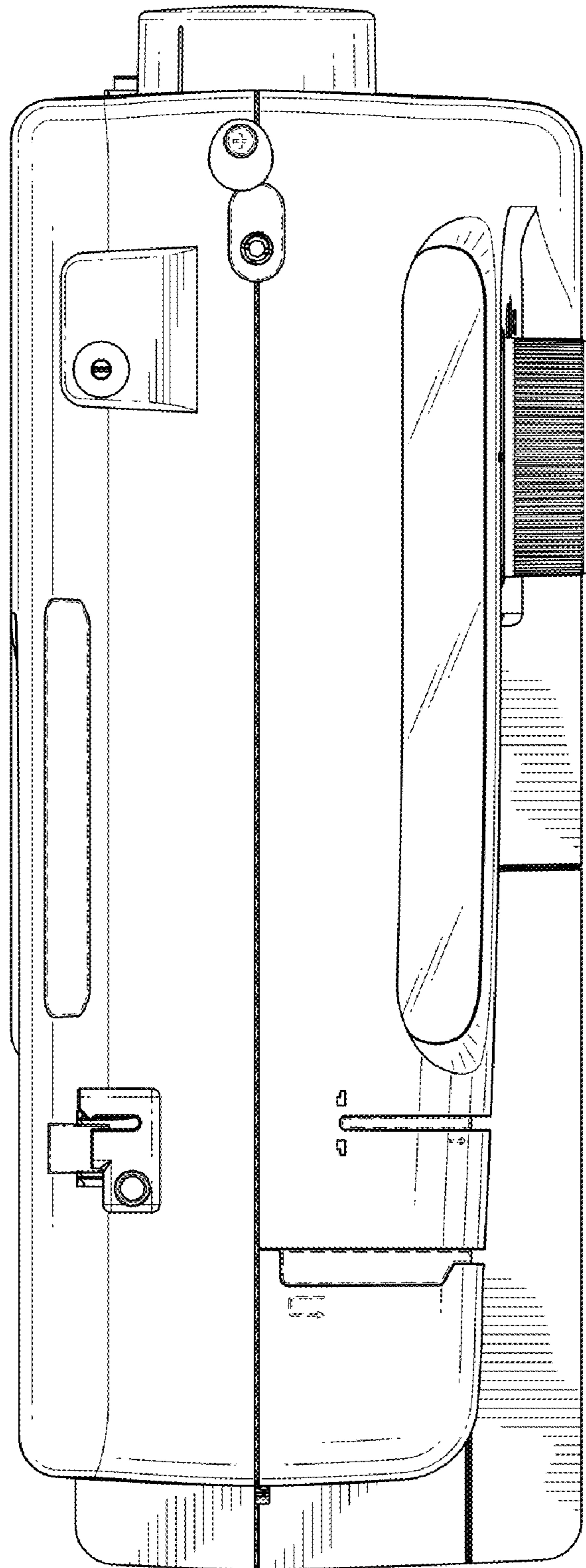


FIG. 6

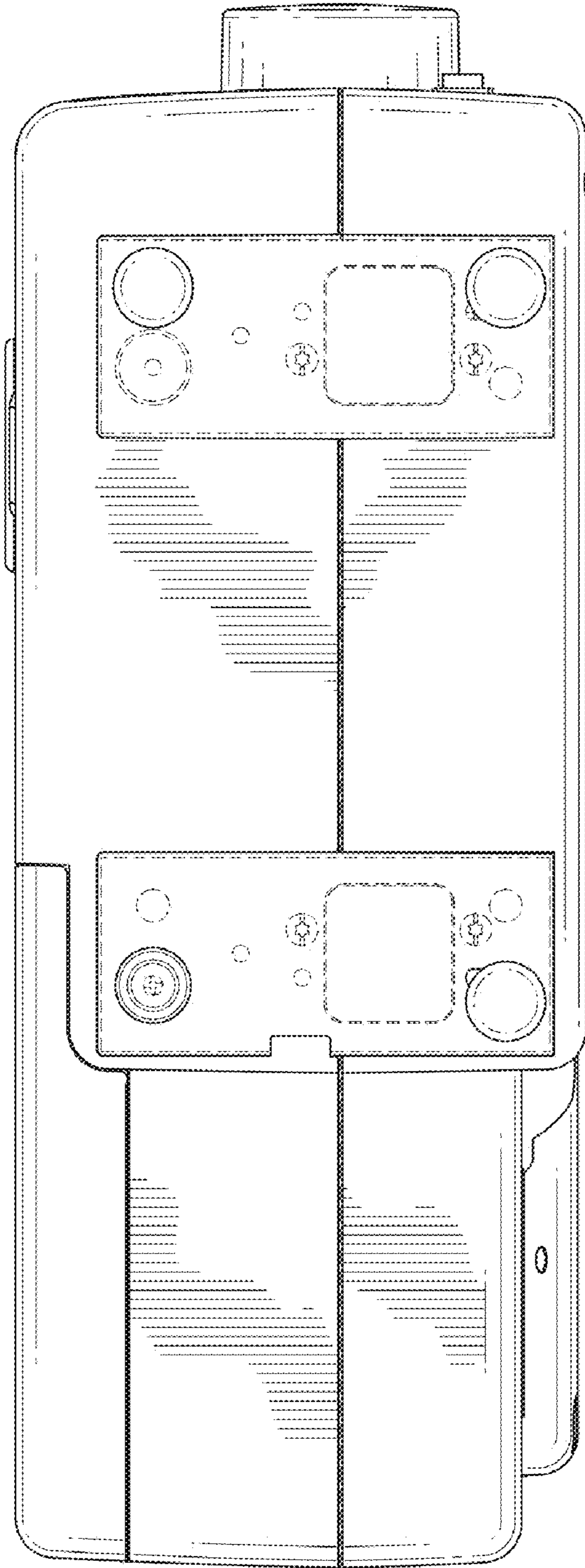


FIG. 7