



US00D678362S

(12) **United States Design Patent**  
**Tanaka et al.**

(10) **Patent No.:** **US D678,362 S**  
(45) **Date of Patent:** **\*\* Mar. 19, 2013**

(54) **SEWING MACHINE**

(75) Inventors: **Hiromitsu Tanaka**, Nagoya (JP);  
**Masahide Asano**, Nagoya (JP);  
**Mitsuharu Hattori**, Nagoya (JP)

(73) Assignee: **Brother Industries, Ltd.**, Nagoya (JP)

(\*\*) Term: **14 Years**

(21) Appl. No.: **29/414,854**

(22) Filed: **Mar. 5, 2012**

(30) **Foreign Application Priority Data**

Sep. 8, 2011 (JP) ..... 2011-20508

(51) **LOC (9) Cl.** ..... **15-06**

(52) **U.S. Cl.** ..... **D15/69**

(58) **Field of Classification Search** ..... D15/66-76;  
112/63, 255-261, 217.1-219.4, 444, 475.01;  
312/208.5, 208.6

See application file for complete search history.

(56) **References Cited**

U.S. PATENT DOCUMENTS

D283,029 S \* 3/1986 David ..... D15/69  
D288,818 S \* 3/1987 Allen ..... D15/69

D289,403 S \* 4/1987 Yoneda ..... D15/69  
D289,877 S \* 5/1987 Yoneda ..... D15/69  
D291,999 S \* 9/1987 Yoneda ..... D15/69  
D524,829 S \* 7/2006 Muto ..... D15/69  
D645,886 S \* 9/2011 Hattori ..... D15/69  
D661,324 S \* 6/2012 Rohner et al. .... D15/69  
D664,160 S \* 7/2012 Asano et al. .... D15/69  
D664,161 S \* 7/2012 Asano et al. .... D15/69  
D664,162 S \* 7/2012 Asano et al. .... D15/69

\* cited by examiner

*Primary Examiner* — Mitchell Siegel

(74) *Attorney, Agent, or Firm* — Oliff & Berridge, PLC

(57) **CLAIM**

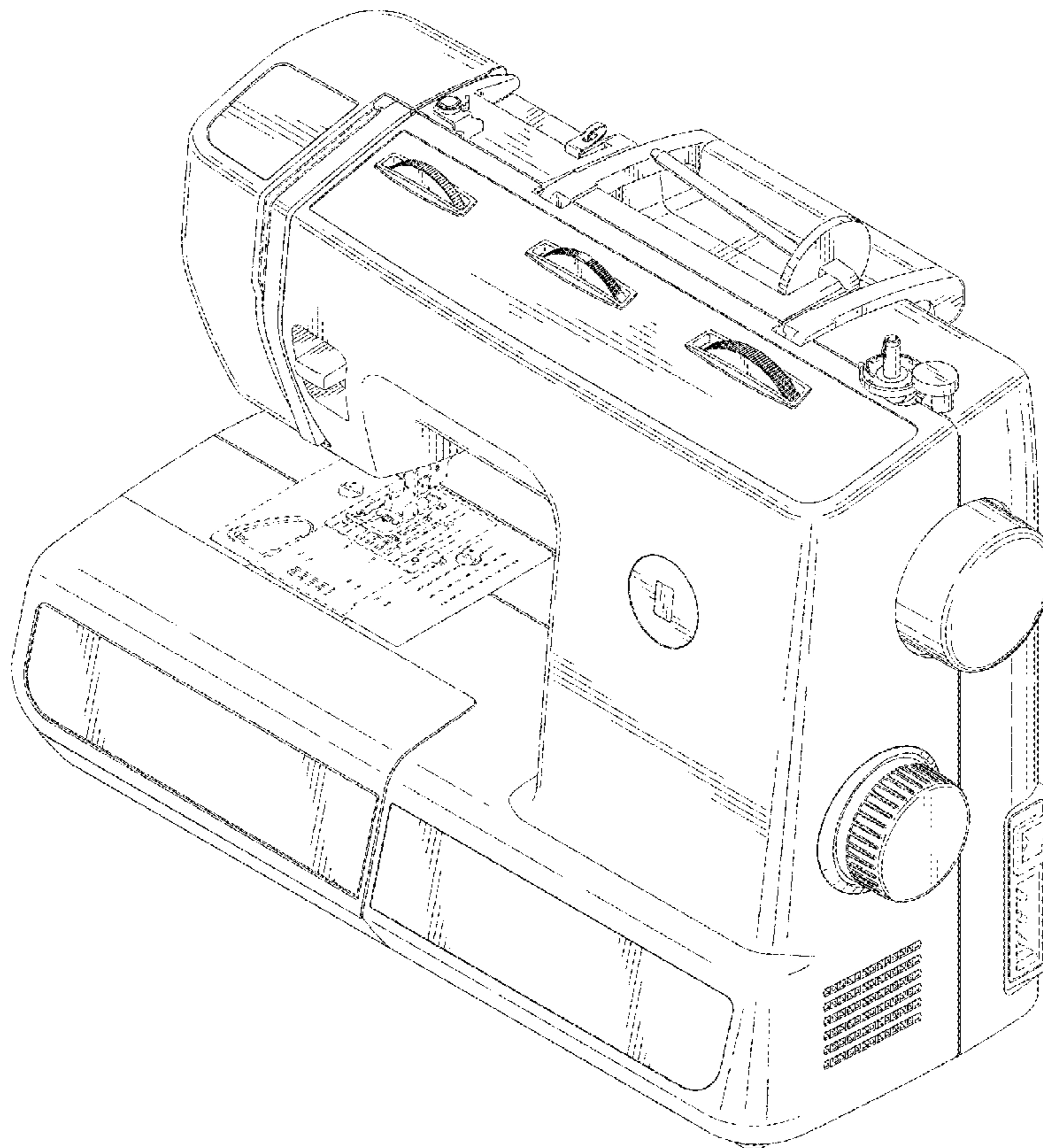
The ornamental design for a sewing machine, as shown and described.

**DESCRIPTION**

FIG. 1 is a perspective view of a sewing machine;  
FIG. 2 is a front view thereof;  
FIG. 3 is a top view thereof;  
FIG. 4 is a right-side view thereof;  
FIG. 5 is a left-side view thereof;  
FIG. 6 is a rear view thereof; and,  
FIG. 7 is a bottom view thereof.

The broken lines are for illustration only and form no part of the claimed design.

**1 Claim, 7 Drawing Sheets**



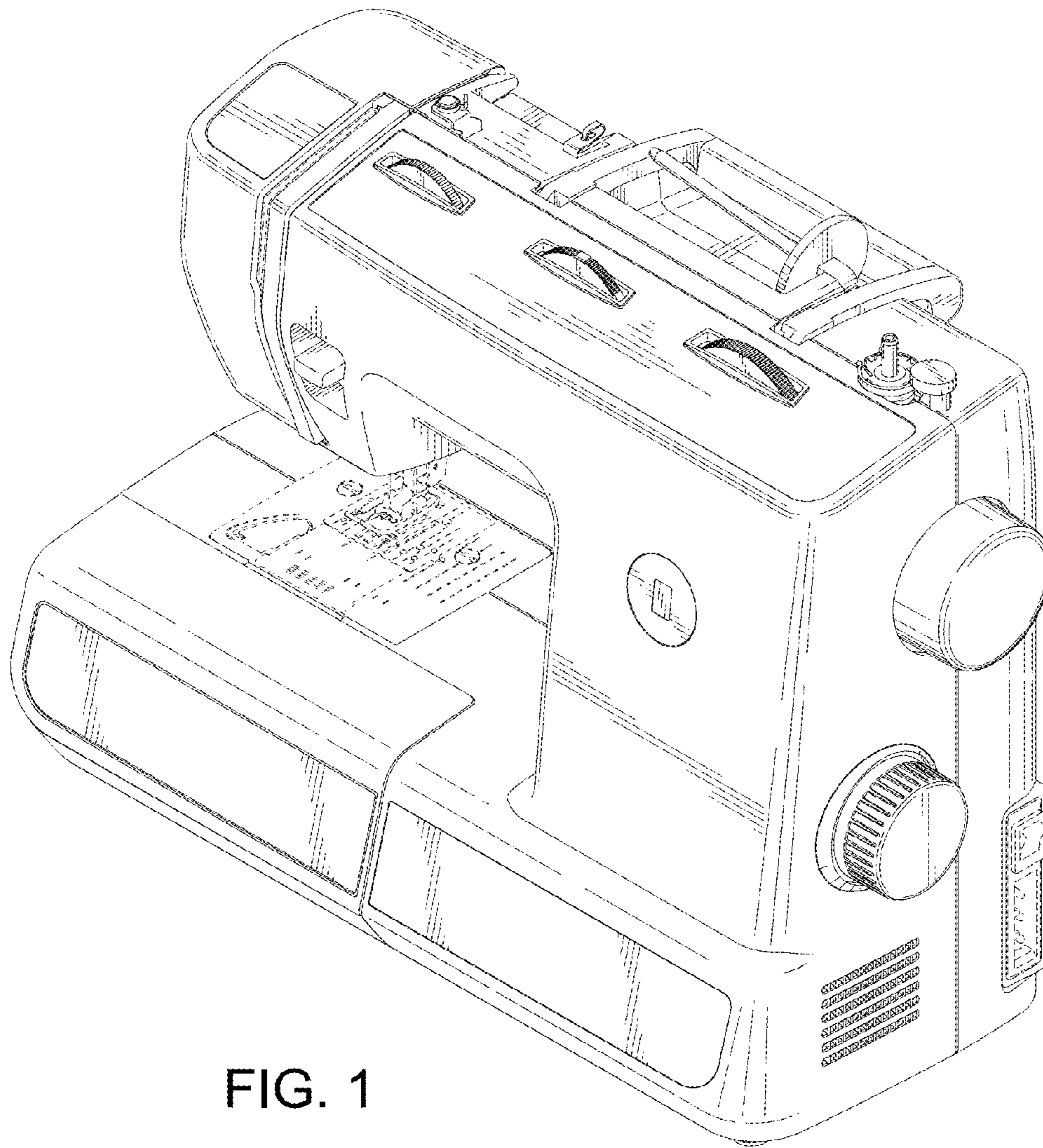


FIG. 1

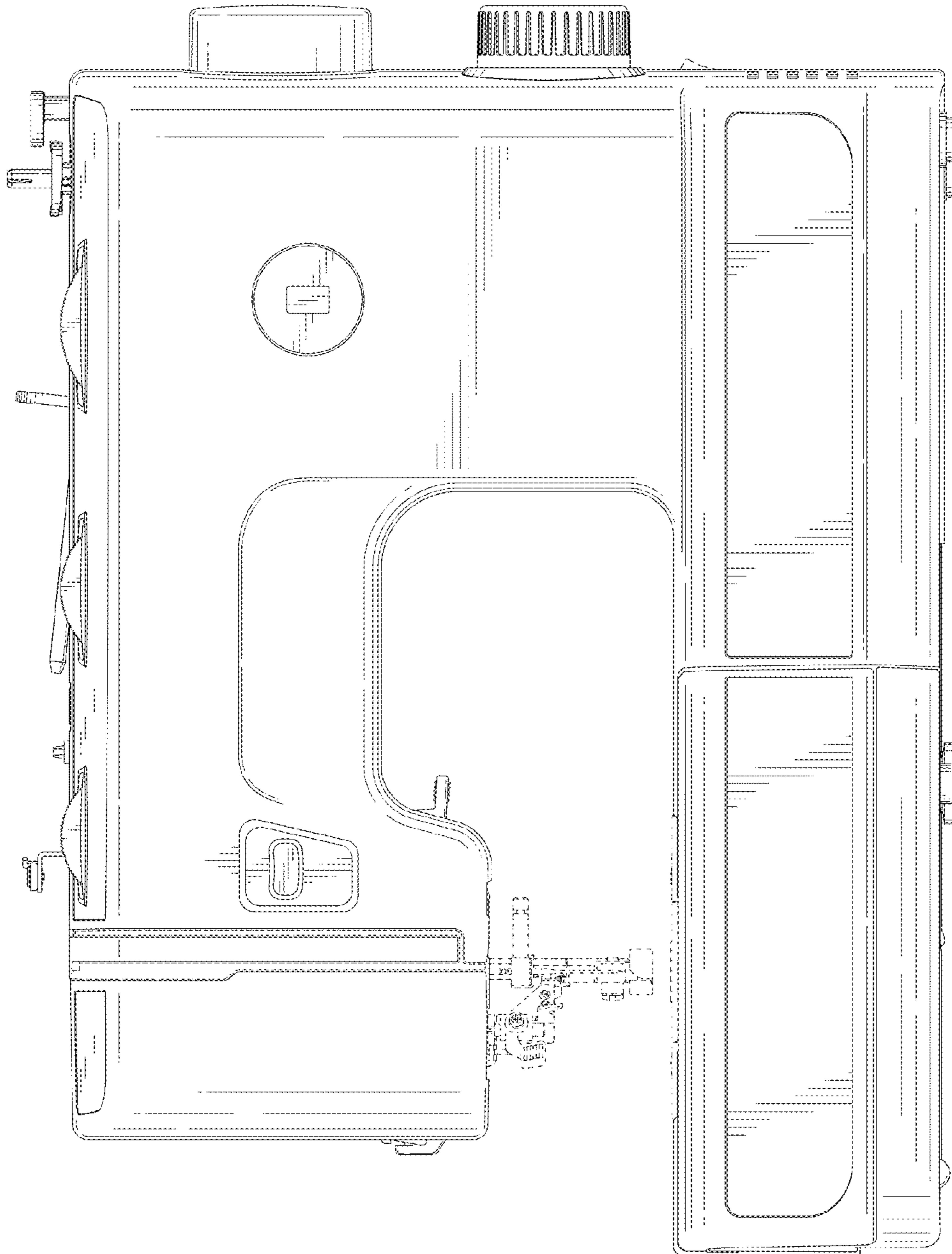


FIG. 2

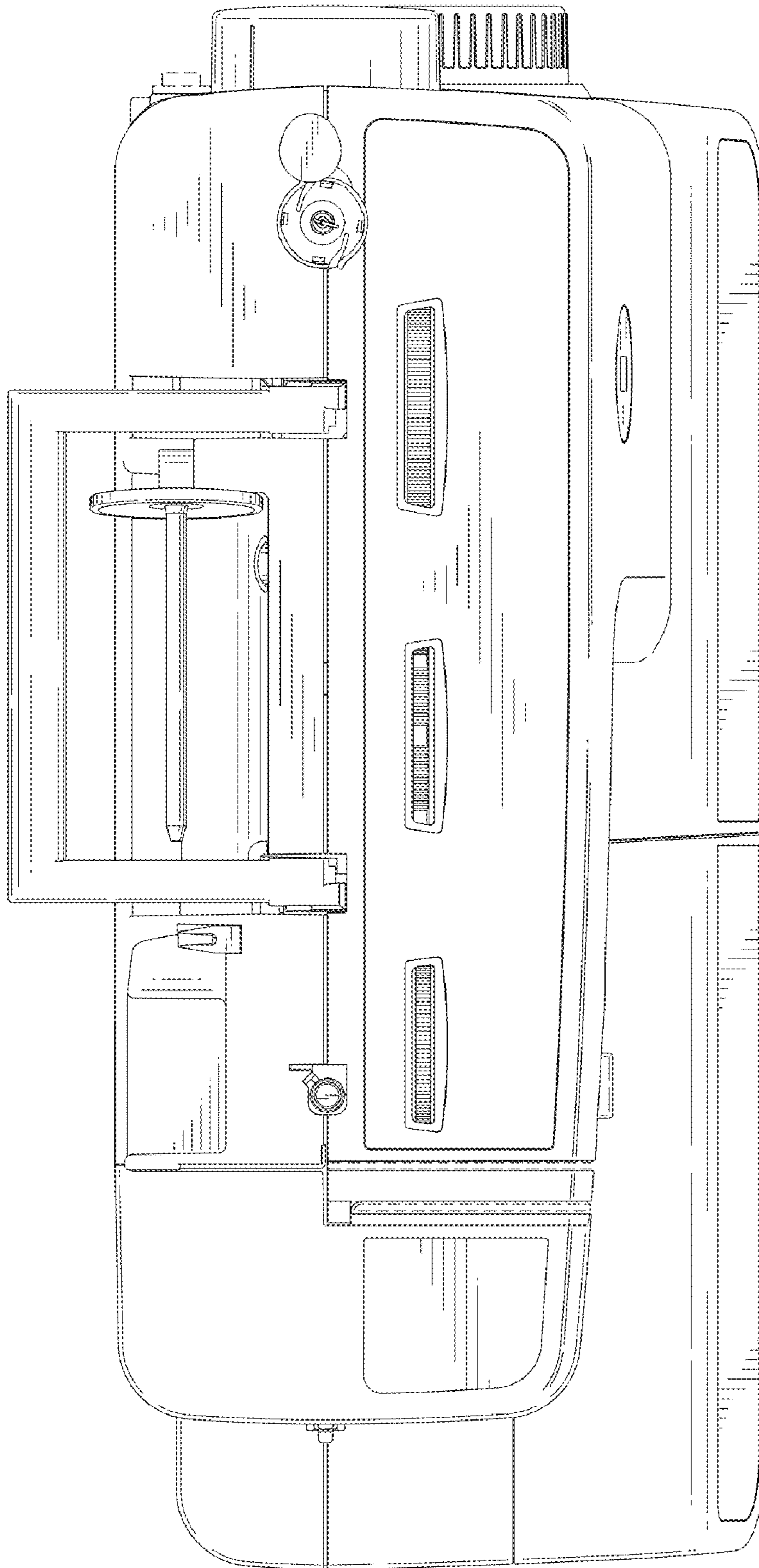


FIG. 3

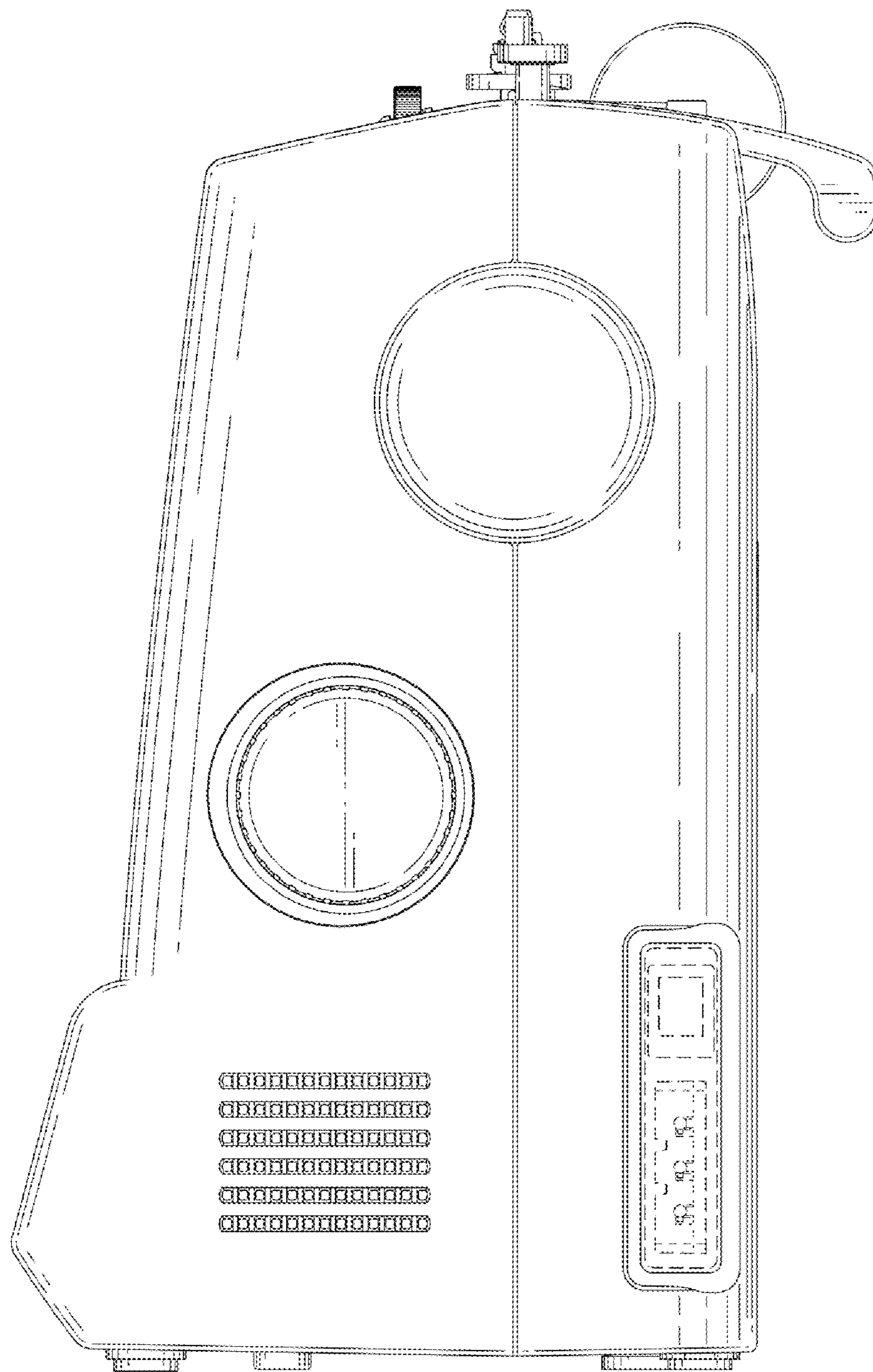


FIG. 4

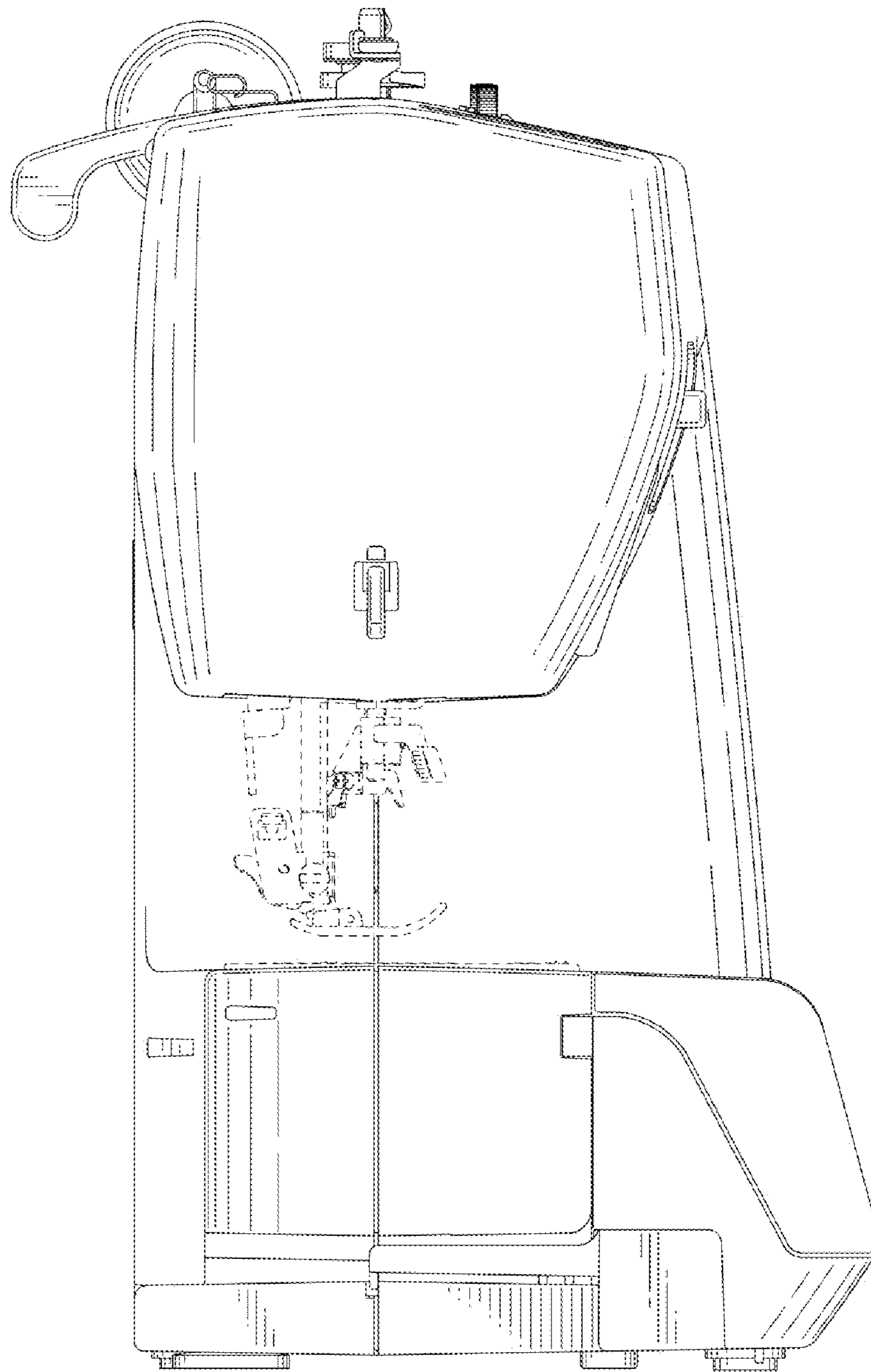


FIG. 5

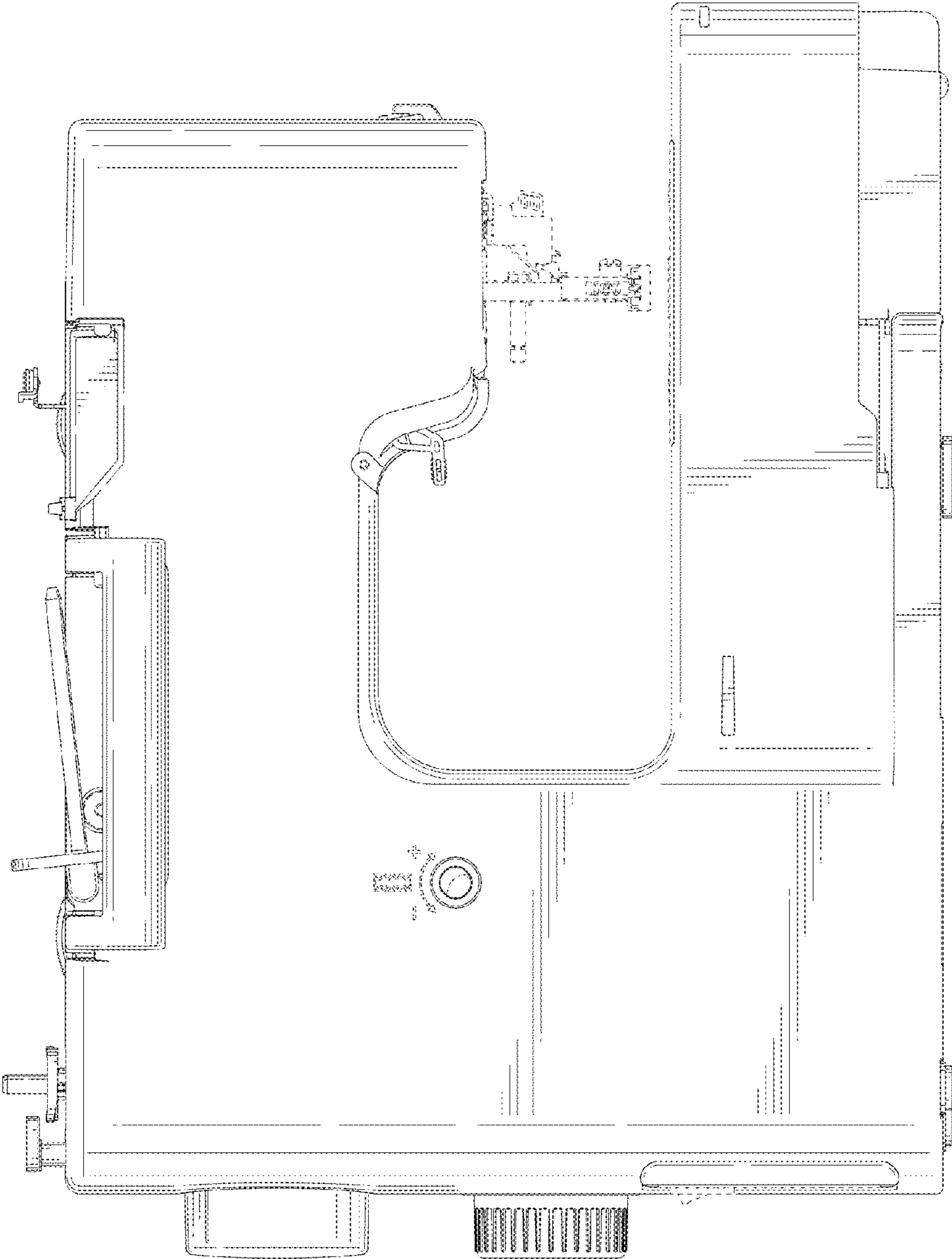


FIG. 6

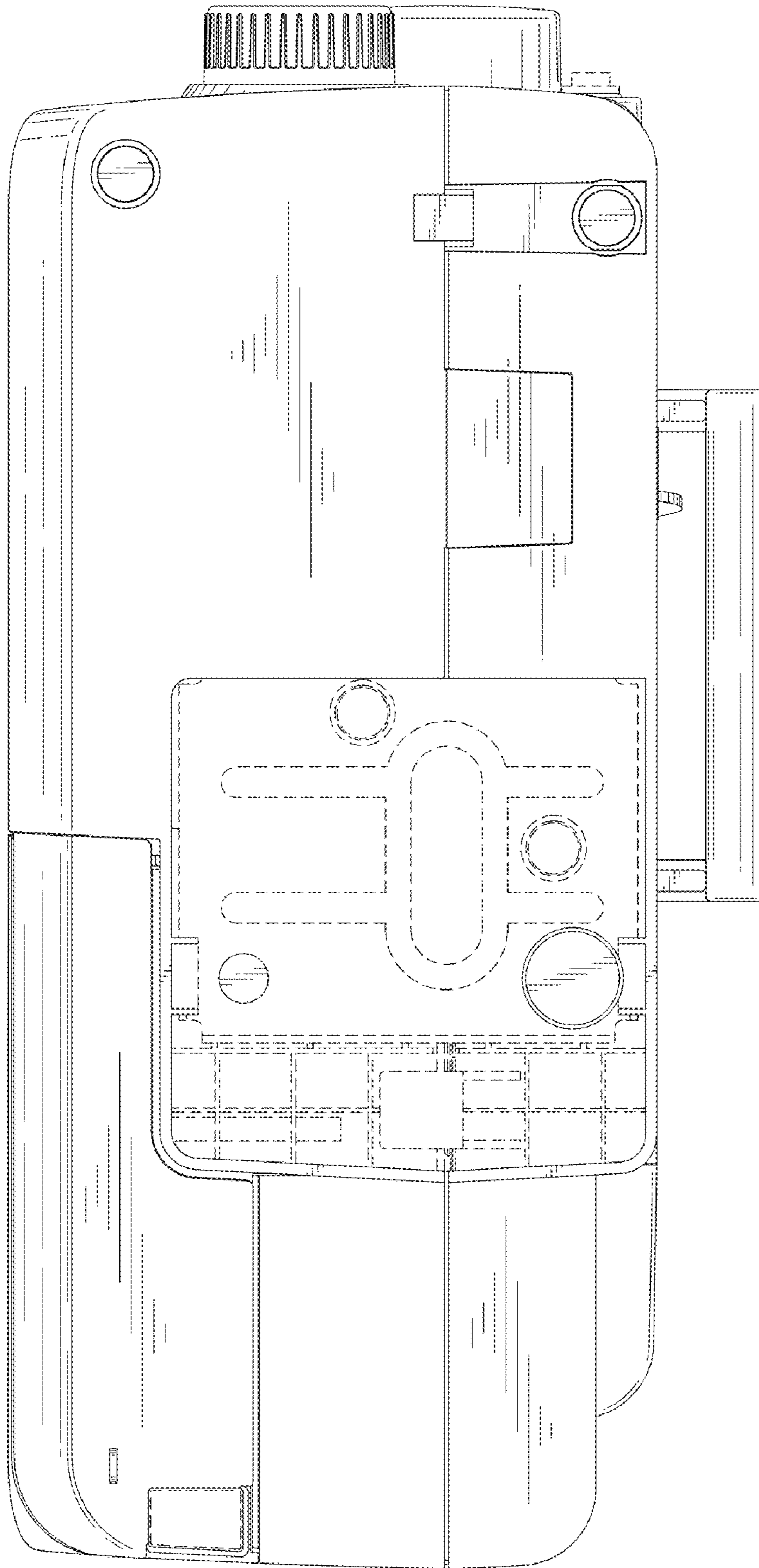


FIG. 7