

US00D678361S

(12) **United States Design Patent**  
**Attwood et al.**

(10) **Patent No.:** **US D678,361 S**  
(45) **Date of Patent:** **\*\* Mar. 19, 2013**

(54) **LIP FOR EXCAVATION BUCKET**  
(75) Inventors: **Reece Attwood**, Mayfield West (AU);  
**Glenn Baxter**, Duncraig (AU); **Jason Lunn**, Cooks Hill (AU)  
(73) Assignee: **Bradken Resources Pty Limited**,  
Mayfield West (AU)  
(\*\*) Term: **14 Years**

6,230,424	B1 *	5/2001	Renski et al.	37/446
6,434,865	B2 *	8/2002	Renski et al.	37/446
6,457,268	B1 *	10/2002	Perry et al.	37/403
6,751,897	B2 *	6/2004	Bierwith	37/446
6,952,892	B1 *	10/2005	Bierwith	37/195
7,080,470	B2 *	7/2006	Jones	37/452
7,559,162	B2 *	7/2009	Bierwith	37/444
2003/0093928	A1 *	5/2003	Bierwith	37/466
2004/0216335	A1 *	11/2004	Jones	37/453
2005/0241194	A1 *	11/2005	Bierwith	37/455
2005/0241195	A1 *	11/2005	Bierwith	37/456
2005/0284006	A1 *	12/2005	Jones	37/446

(21) Appl. No.: **29/416,721**

\* cited by examiner

(22) Filed: **Mar. 26, 2012**

*Primary Examiner* — Mark Goodwin

(30) **Foreign Application Priority Data**

(74) *Attorney, Agent, or Firm* — Morrison & Foerster LLP

Sep. 27, 2011 (AU) ..... 14341/2011

(51) **LOC (9) Cl.** ..... **15-03**

(52) **U.S. Cl.** ..... **D15/32**

(58) **Field of Classification Search** ..... D15/28,  
D15/29, 32; 403/378, 379.5, 379; 37/466,  
37/444, 448, 450-459, 446, 447, 449, 195;  
172/701.3, 772, 772.5, 753, 713

See application file for complete search history.

(56) **References Cited**

U.S. PATENT DOCUMENTS

3,664,044 A \* 5/1972 Hahn ..... 37/456  
D249,088 S \* 8/1978 Dahlberg ..... D15/32

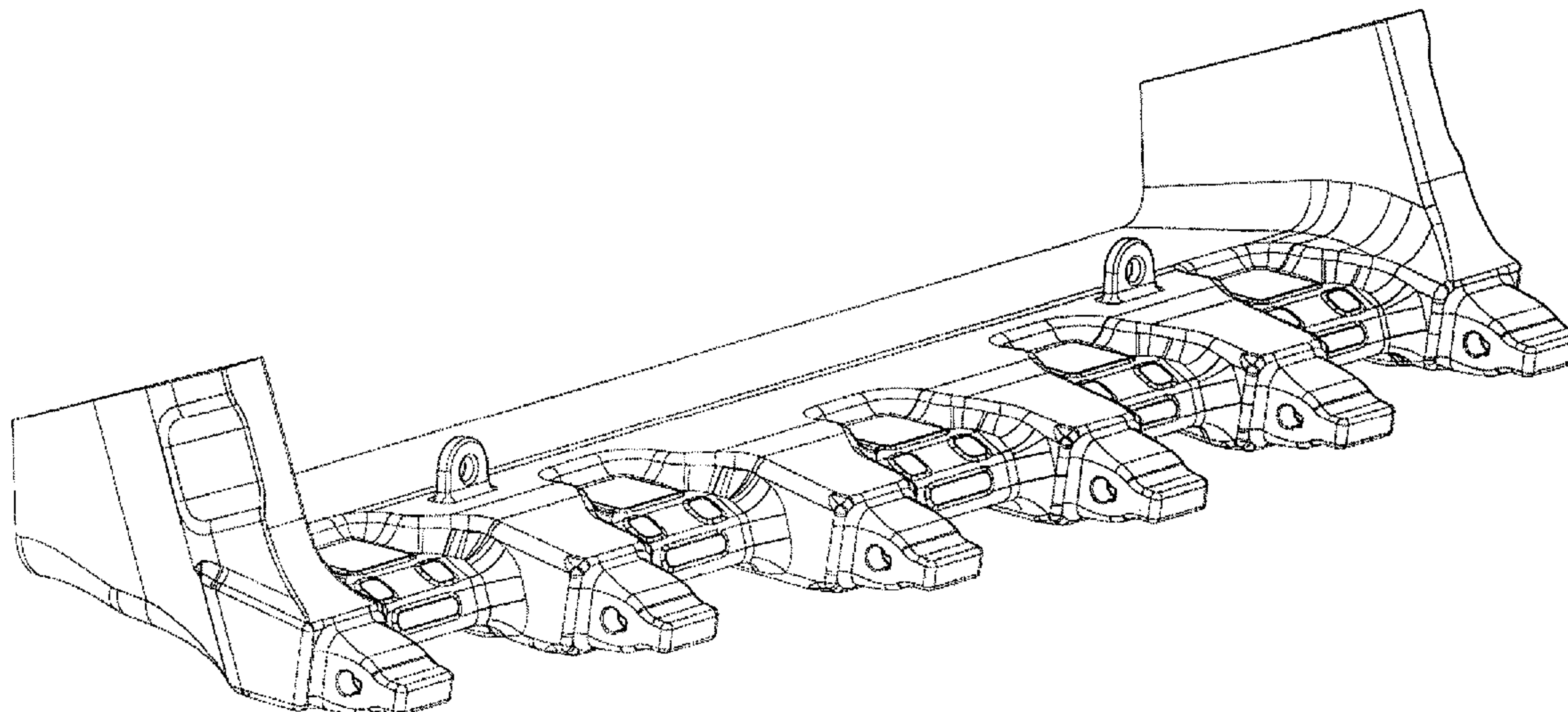
(57) **CLAIM**

We claim the design for a lip for excavation bucket, as shown and described.

**DESCRIPTION**

FIG. 1 is an isometric view of a lip for excavation bucket showing our new design;  
FIG. 2 is a front view thereof;  
FIG. 3 is a back view thereof;  
FIG. 4 is a top view thereof;  
FIG. 5 is a bottom view thereof;  
FIG. 6 is a right side view thereof; and,  
FIG. 7 is a left side view thereof.

**1 Claim, 4 Drawing Sheets**



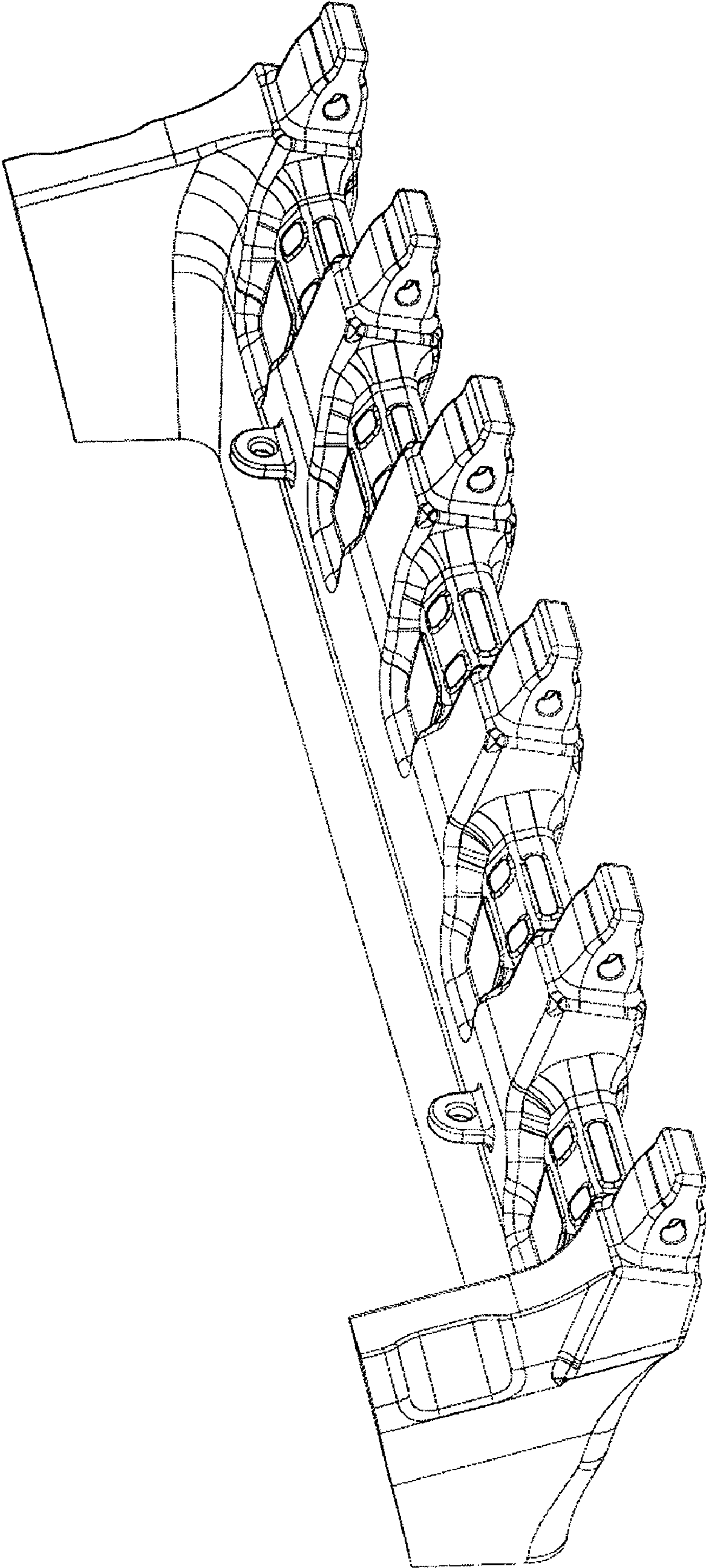


FIG. 1

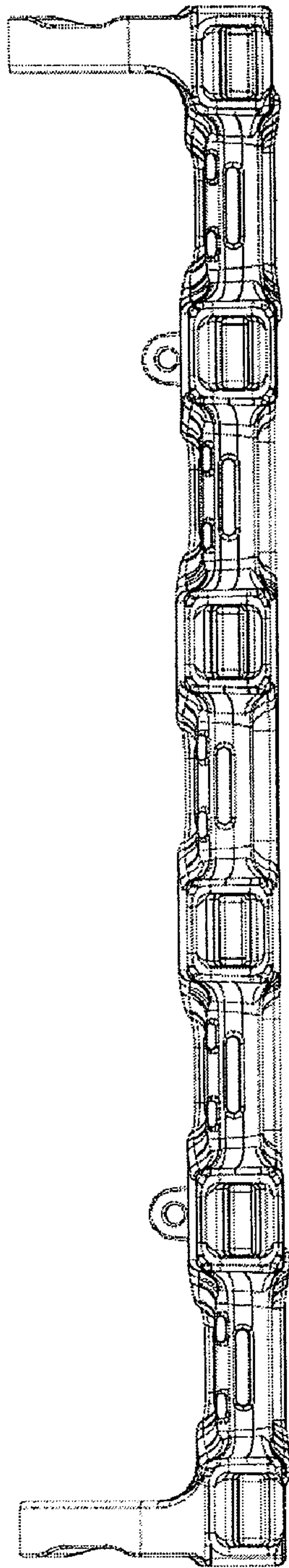


FIG. 2

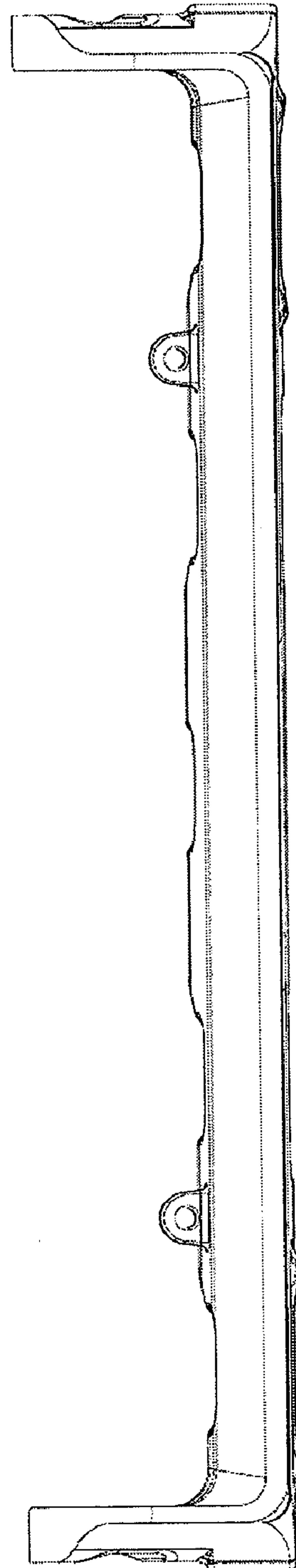


FIG. 3



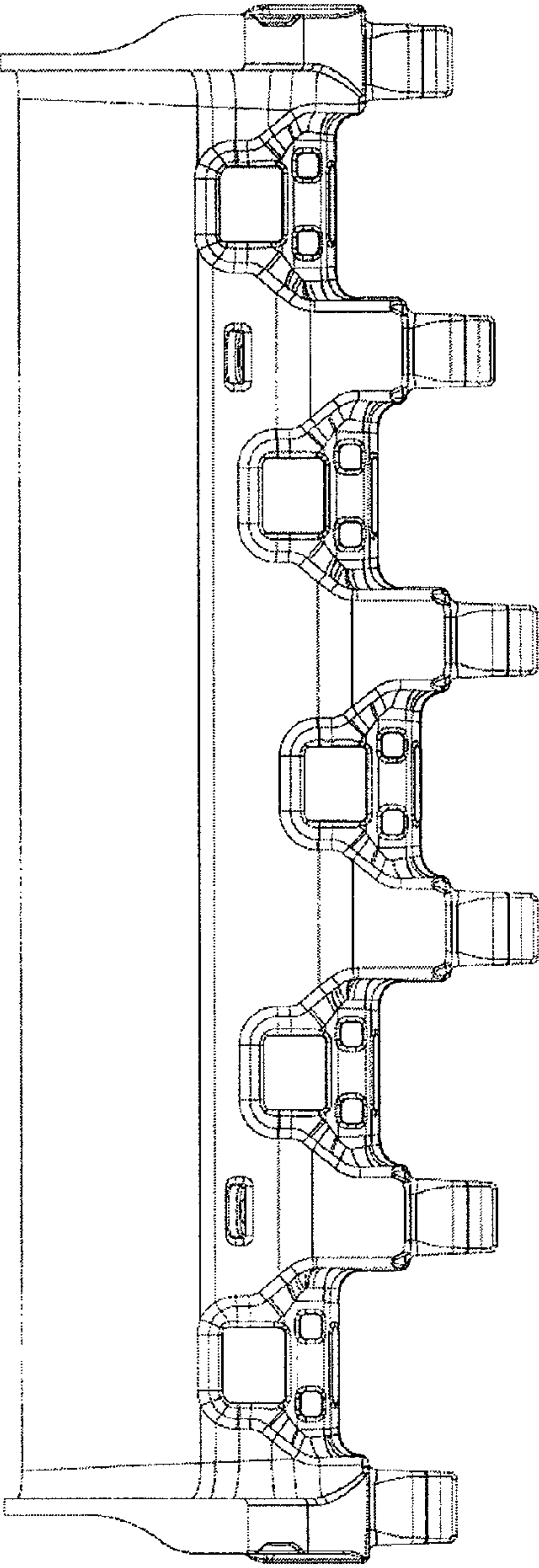


FIG. 4

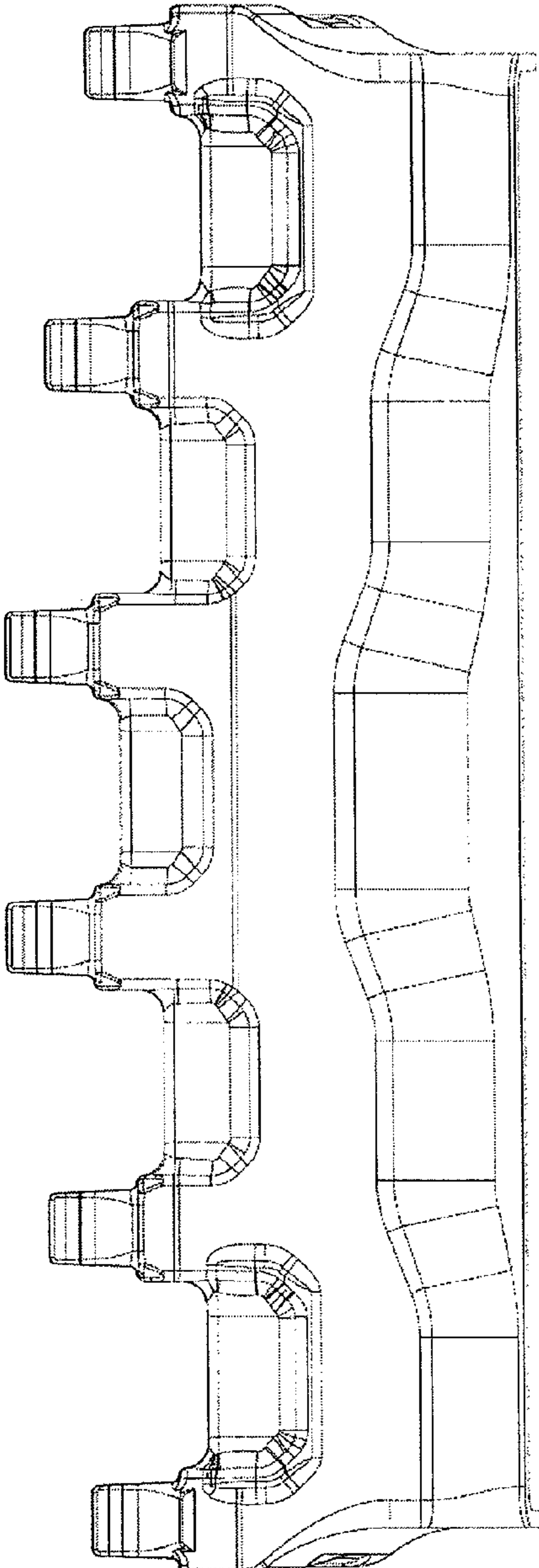


FIG. 5

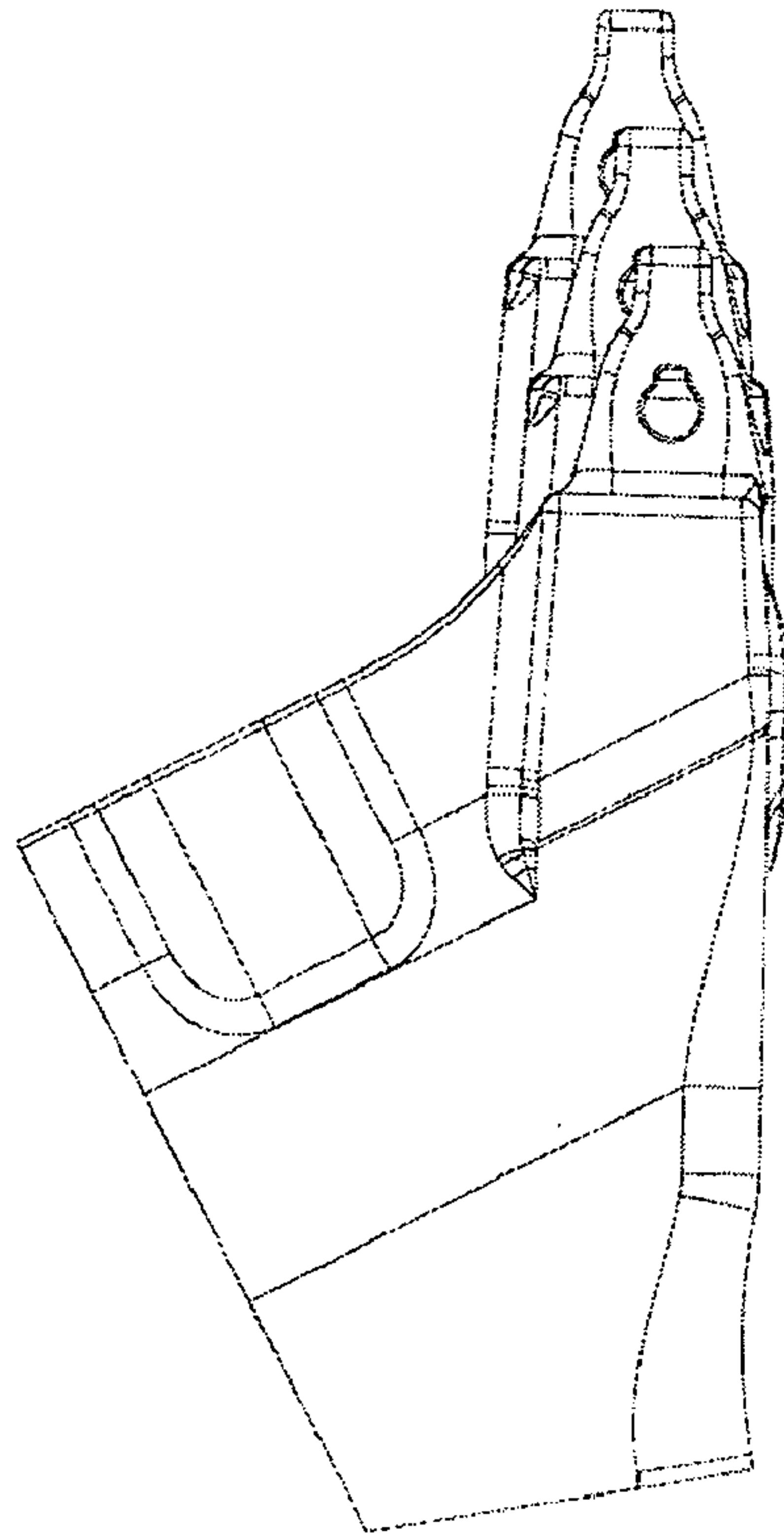


FIG. 7

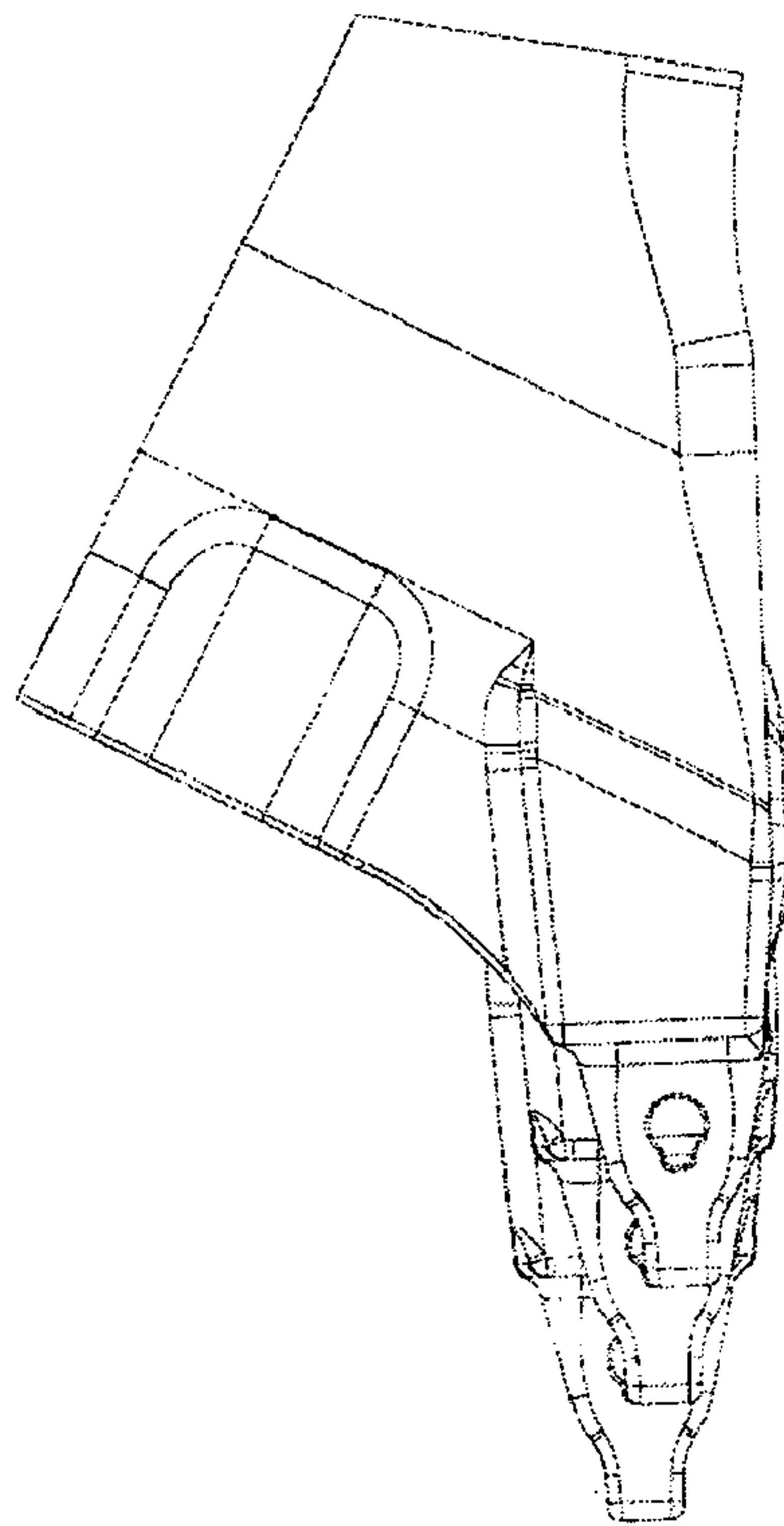


FIG. 6