



US00D678357S

(12) **United States Design Patent**  
**Disabatino**

(10) **Patent No.:** **US D678,357 S**

(45) **Date of Patent:** **\*\* Mar. 19, 2013**

(54) **DISK SAW FELLING HEAD HORN**

(75) Inventor: **Benjamin Disabatino**, Brantford (CA)

(73) Assignee: **Deere & Company**, Moline, IL (US)

(\*\*) Term: **14 Years**

(21) Appl. No.: **29/430,418**

(22) Filed: **Aug. 24, 2012**

(51) **LOC (9) Cl.** ..... **15-03**

(52) **U.S. Cl.** ..... **D15/28**

(58) **Field of Classification Search** ..... D15/10,  
D15/28, 29, 127, 133; 144/343, 24.13, 34.1,  
144/4.1, 336, 241, 338, 357, 3.1, 208.1; 83/840,  
83/839, 928, 488; 30/379.5, 389  
See application file for complete search history.

(56) **References Cited**

**U.S. PATENT DOCUMENTS**

4,175,598	A *	11/1979	Stoychoff	.....	144/34.1
4,437,500	A *	3/1984	Larose	.....	144/34.1
4,467,849	A *	8/1984	Denis	.....	144/34.1
4,793,389	A *	12/1988	Sigouin et al.	.....	144/34.1
4,987,935	A *	1/1991	Corcoran et al.	.....	144/34.1
5,671,788	A *	9/1997	Rewis	.....	144/34.1
5,794,674	A *	8/1998	Kurelek	.....	144/34.1
D412,334	S *	7/1999	DiSabatino et al.	.....	D15/133
5,975,166	A *	11/1999	MacLennan	.....	144/4.1
6,068,035	A *	5/2000	DiSabatino et al.	.....	144/34.1
6,152,201	A *	11/2000	Kurelek	.....	144/336
6,318,425	B1 *	11/2001	Niemi	.....	144/343
6,374,877	B1 *	4/2002	Wildey	.....	144/4.1
6,640,850	B1 *	11/2003	Hicks	.....	144/4.1
7,007,727	B2 *	3/2006	DiSabatino	.....	144/4.1
7,174,932	B2 *	2/2007	Mauchlen	.....	144/34.1
7,228,880	B2 *	6/2007	Taillon	.....	144/4.1
7,681,608	B2 *	3/2010	Disabatino	.....	144/4.1
7,699,081	B2 *	4/2010	Mauchlen	.....	144/4.1

7,832,437	B2 *	11/2010	Trom	.....	144/336
2006/0272742	A1 *	12/2006	Taillon	.....	144/4.1
2007/0113925	A1 *	5/2007	DiSabatino	.....	144/4.1
2008/0099102	A1 *	5/2008	Trom	.....	144/4.1
2010/0071520	A1 *	3/2010	Pellymonter	.....	83/76
2011/0132495	A1 *	6/2011	Lajoie et al.	.....	144/4.1

**OTHER PUBLICATIONS**

Images Showing Deere FD45 Disk Saw Felling Head (3 pages) (prior art before Aug. 24, 2012).

U.S. Appl. No. 29/430,410, filed Aug. 24, 2012, commonly assigned to Deere & Company with present application.

\* cited by examiner

*Primary Examiner* — Mark Goodwin

(57) **CLAIM**

The ornamental design for disk saw felling head horn, as shown and described.

**DESCRIPTION**

FIG. 1 is a perspective view of my design for a disk saw felling head horn, with broken lines illustrating environmental structure and forming no part of the claimed design;

FIG. 2 is a rear elevational view of the disk saw felling head horn;

FIG. 3 is a front elevational view of the disk saw felling head horn;

FIG. 4 is a bottom plan view of the disk saw felling head horn, with surfaces that would not be seen in use shown in broken lines, for the purpose of illustrating, and forming no part of the claimed design;

FIG. 5 is a top plan view of the disk saw felling head horn;

FIG. 6 is a left-side elevational view of the disk saw felling head horn; and,

FIG. 7 is right-side elevational view of the disk saw felling head horn.

**1 Claim, 4 Drawing Sheets**

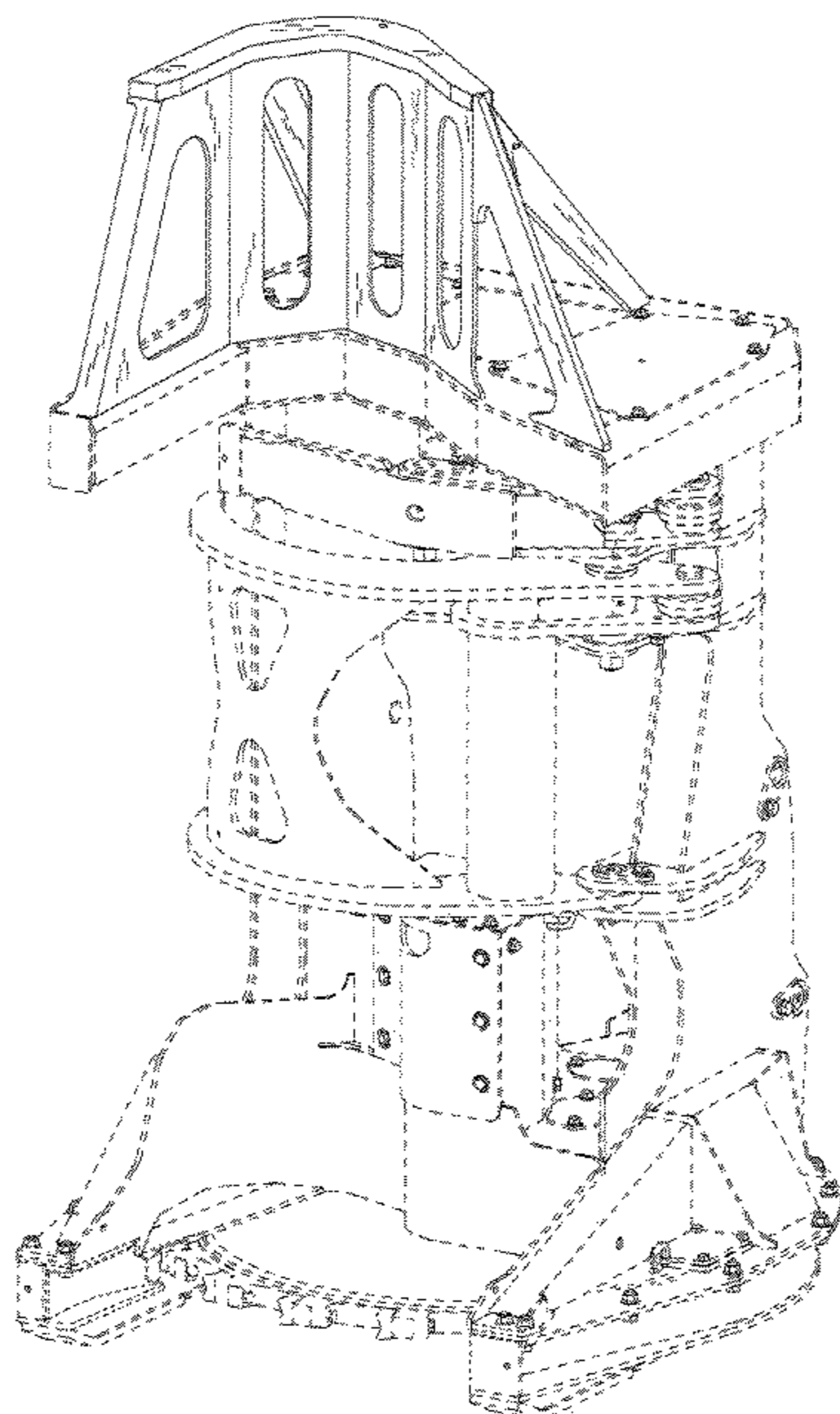




FIG. 1

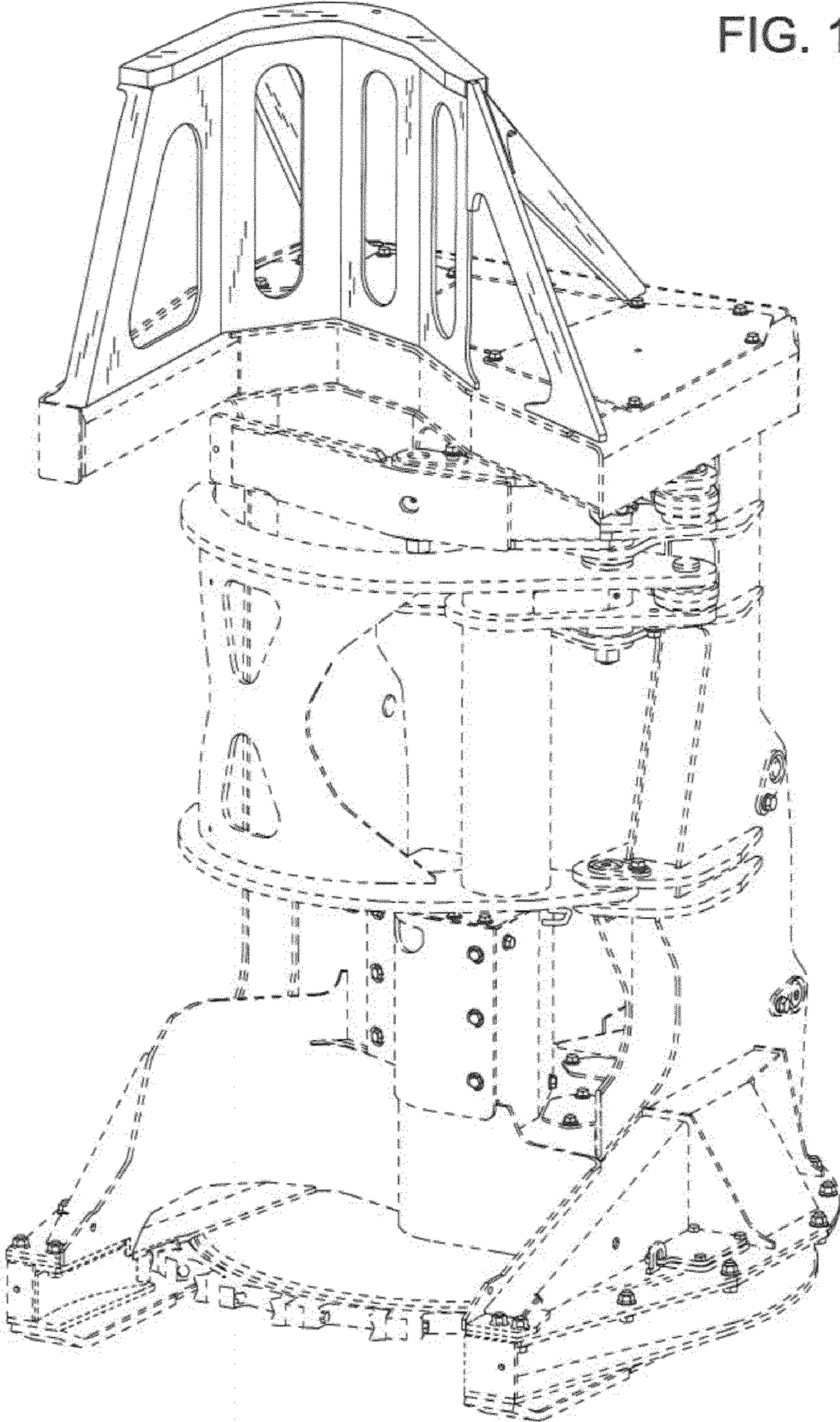




FIG. 2

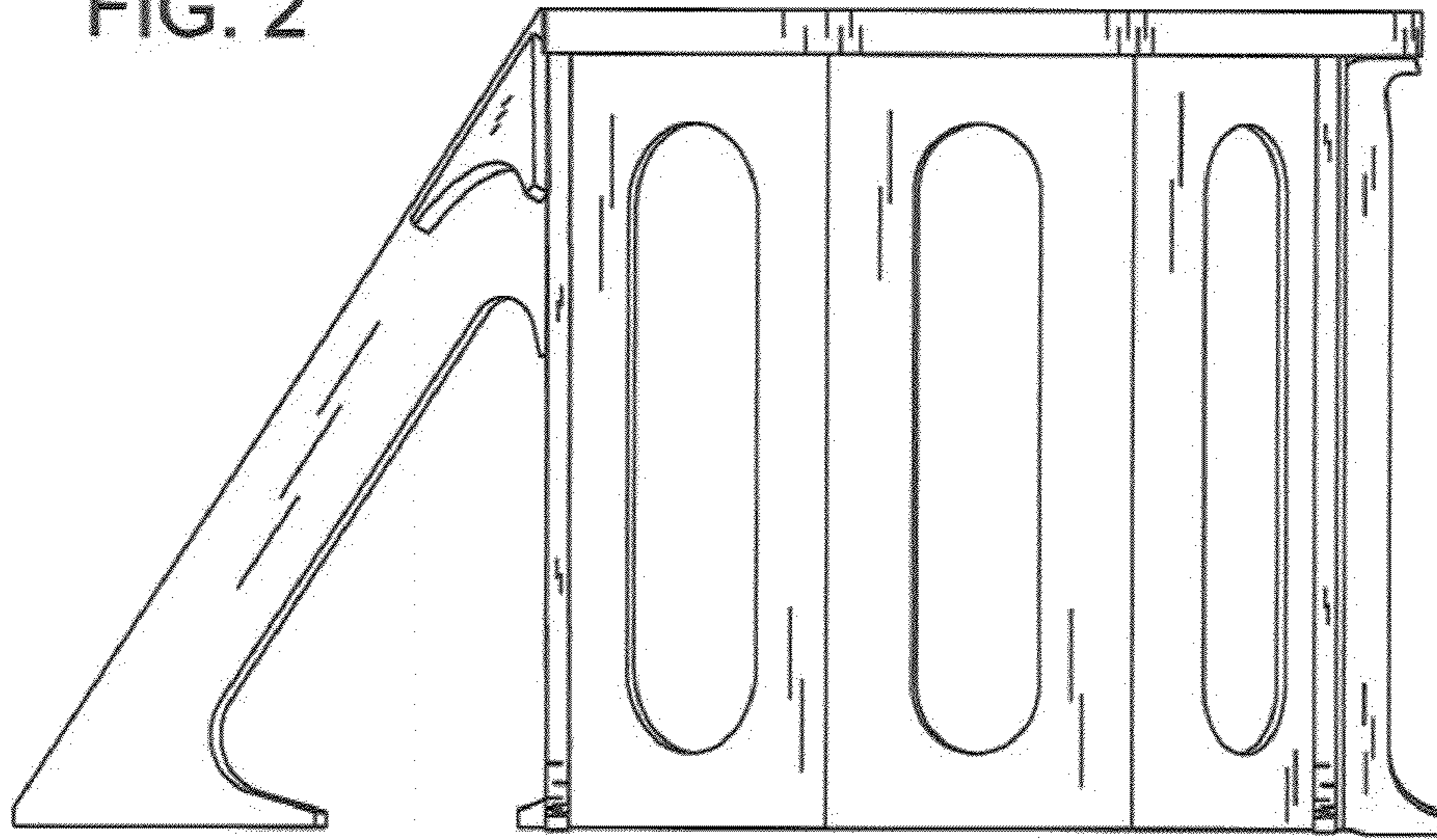


FIG. 3

