



US00D678356S

(12) **United States Design Patent**
Disabatino

(10) **Patent No.:** **US D678,356 S**
(45) **Date of Patent:** **** Mar. 19, 2013**

- (54) **DISK SAW FELLING HEAD**
- (75) Inventor: **Benjamin Disabatino**, Brantford (CA)
- (73) Assignee: **Deere & Company**, Moline, IL (US)
- (**) Term: **14 Years**
- (21) Appl. No.: **29/430,410**
- (22) Filed: **Aug. 24, 2012**
- (51) **LOC (9) Cl.** **15-03**
- (52) **U.S. Cl.** **D15/28**
- (58) **Field of Classification Search** D15/10,
D15/28, 29, 127, 133; 144/343, 24.13, 34.1,
144/4.1, 336, 241, 338, 357, 3.1, 208.1; 83/840,
83/839, 928, 488; 30/379.5, 389
See application file for complete search history.

7,681,608	B2 *	3/2010	Disabatino	144/4.1
7,699,081	B2 *	4/2010	Mauchlen	144/4.1
7,832,437	B2 *	11/2010	Trom	144/336
2006/0272742	A1 *	12/2006	Taillon	144/4.1
2007/0113925	A1 *	5/2007	DiSabatino	144/4.1
2008/0099102	A1 *	5/2008	Trom	144/4.1
2010/0071520	A1 *	3/2010	Pellymonter	83/76
2011/0132495	A1 *	6/2011	Lajoie et al.	144/4.1

OTHER PUBLICATIONS

U.S. Appl. No. 29/430,418, filed Aug. 24, 2012, commonly assigned to Deere & Company with present application. Images Showing Deere FD45 Disk Saw Felling Head (3 pages) (prior art before Aug. 24, 2012).

* cited by examiner

Primary Examiner — Mark Goodwin

(56) **References Cited**

U.S. PATENT DOCUMENTS

4,175,598	A *	11/1979	Stoychoff	144/34.1
4,437,500	A *	3/1984	Larose	144/34.1
4,467,849	A *	8/1984	Denis	144/34.1
4,793,389	A *	12/1988	Sigouin et al.	144/34.1
4,987,935	A *	1/1991	Corcoran et al.	144/34.1
5,671,788	A *	9/1997	Rewis	144/34.1
5,794,674	A *	8/1998	Kurelek	144/34.1
D412,334	S *	7/1999	DiSabatino et al.	D15/133
5,975,166	A *	11/1999	MacLennan	144/4.1
6,068,035	A *	5/2000	DiSabatino et al.	144/34.1
6,152,201	A *	11/2000	Kurelek	144/336
6,318,425	B1 *	11/2001	Niemi	144/343
6,374,877	B1 *	4/2002	Wildey	144/4.1
6,640,850	B1 *	11/2003	Hicks	144/4.1
7,007,727	B2 *	3/2006	DiSabatino	144/4.1
7,174,932	B2 *	2/2007	Mauchlen	144/34.1
7,228,880	B2 *	6/2007	Taillon	144/4.1

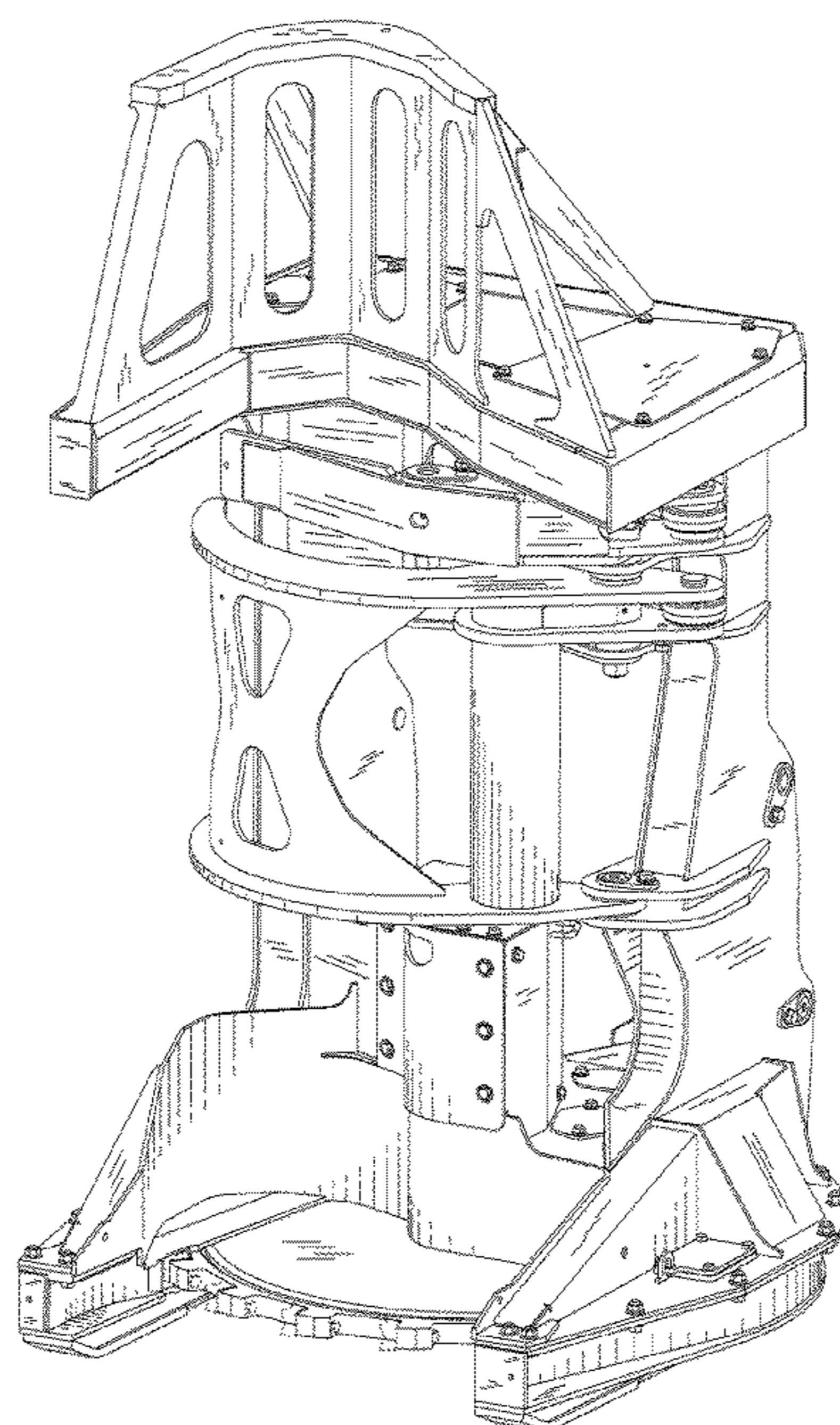
(57) **CLAIM**

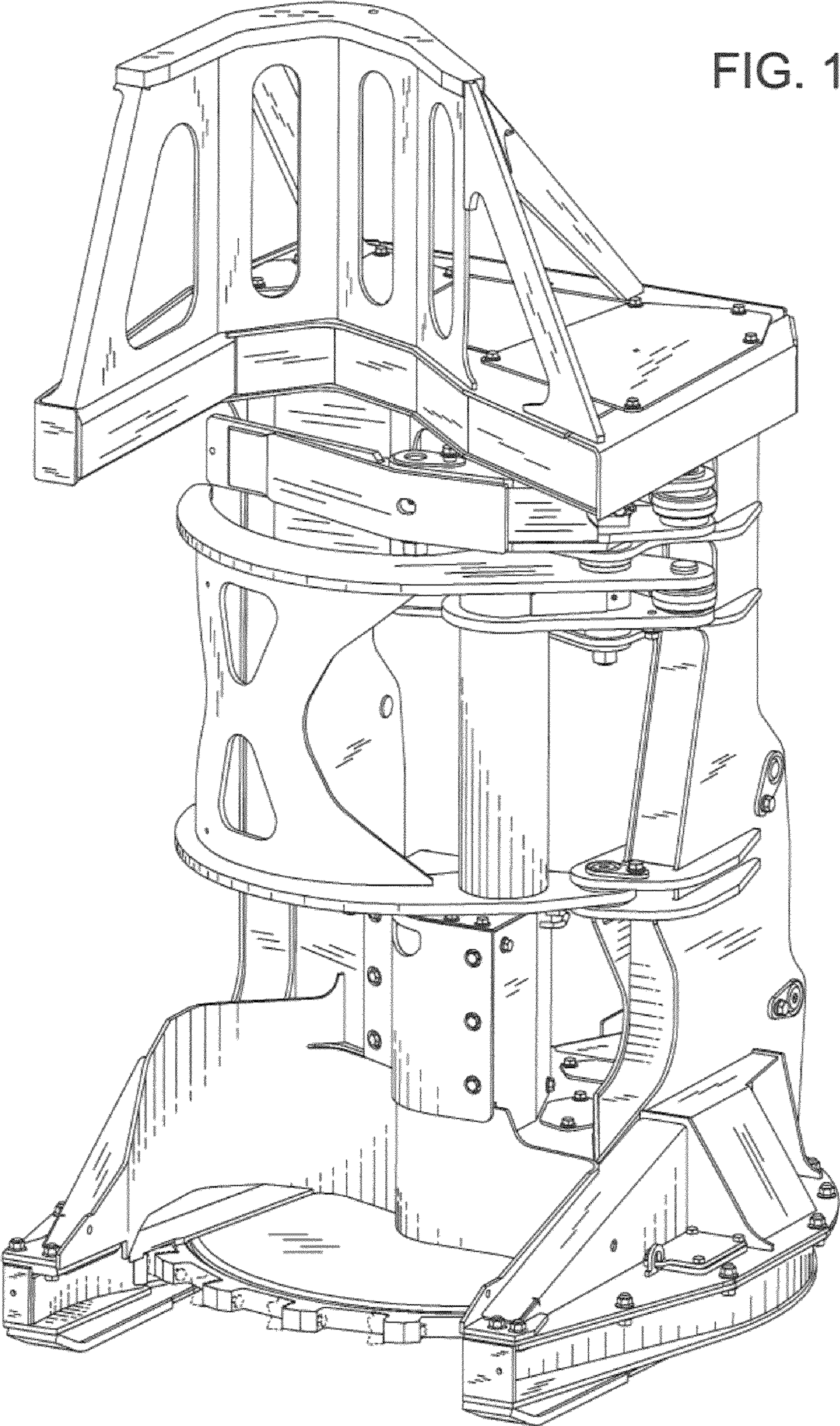
The ornamental design for a disk saw felling head, as shown and described.

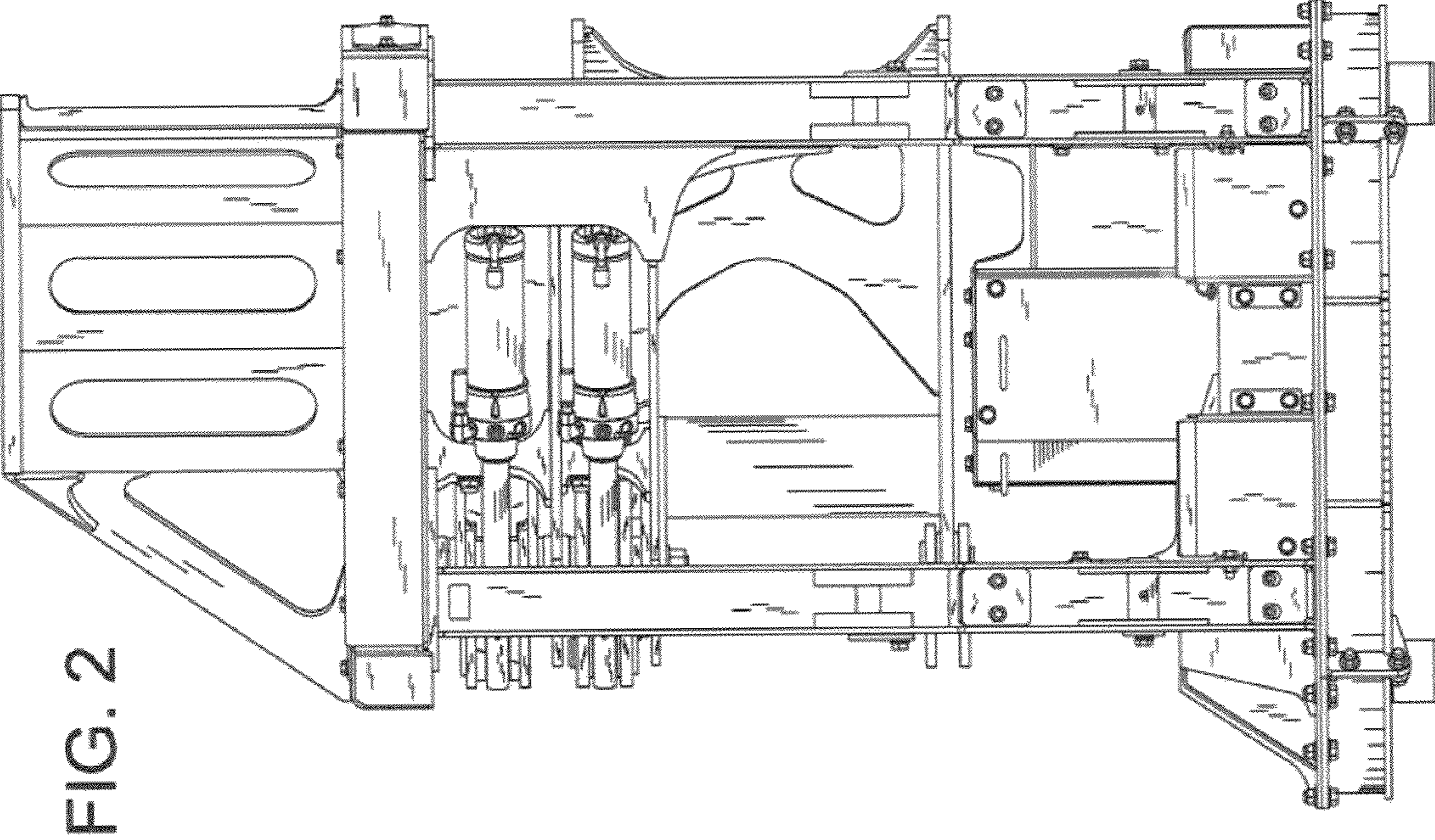
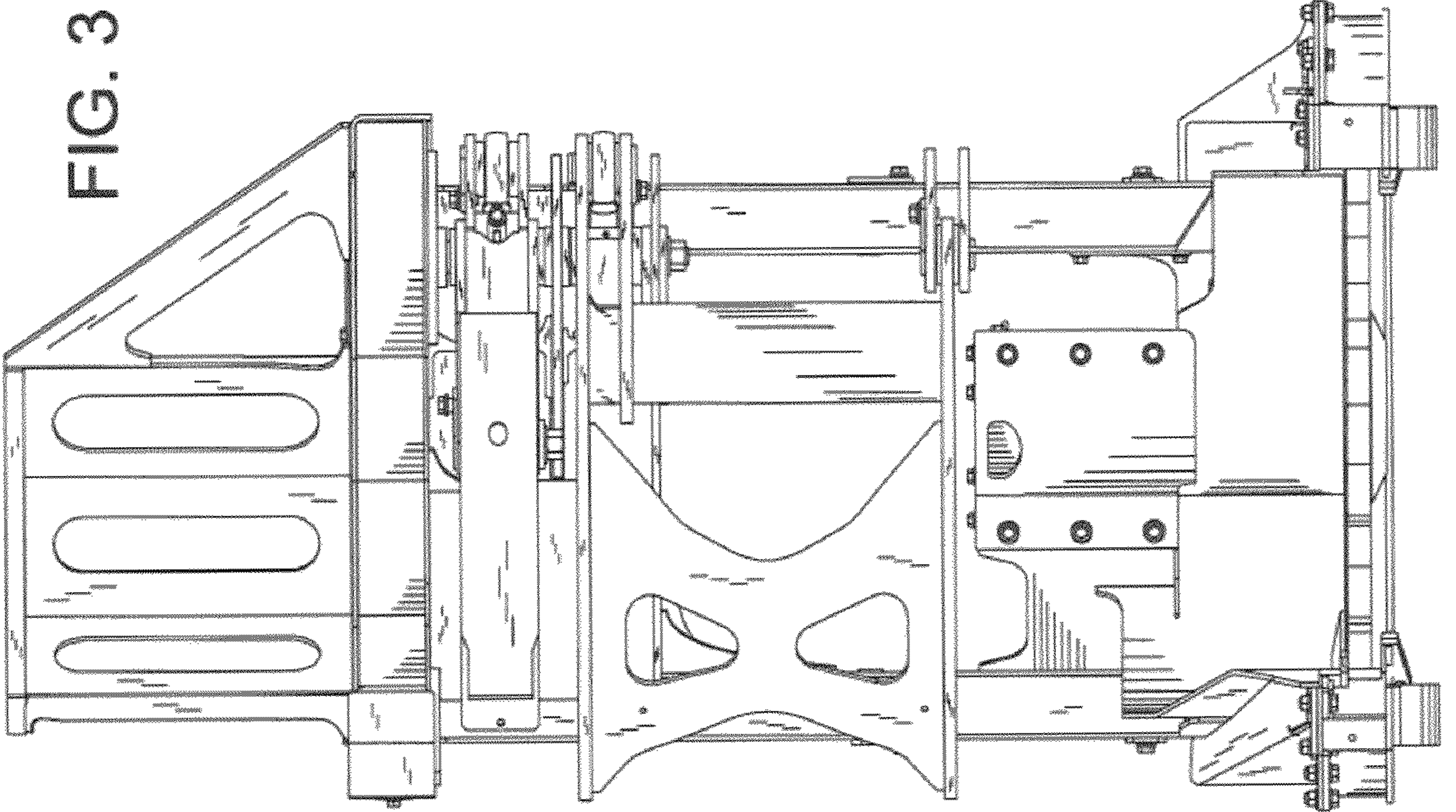
DESCRIPTION

FIG. 1 is a perspective view of a disk saw felling head showing my new design; FIG. 2 is a rear elevational view of the disk saw felling head; FIG. 3 is a front elevational view of the disk saw felling head; FIG. 4 is a top plan view of the disk saw felling head; FIG. 5 is a bottom plan view of the disk saw felling head; FIG. 6 is a left-side elevational view of the disk saw felling head; and, FIG. 7 is a right-side elevational view of the disk saw felling head.

1 Claim, 4 Drawing Sheets







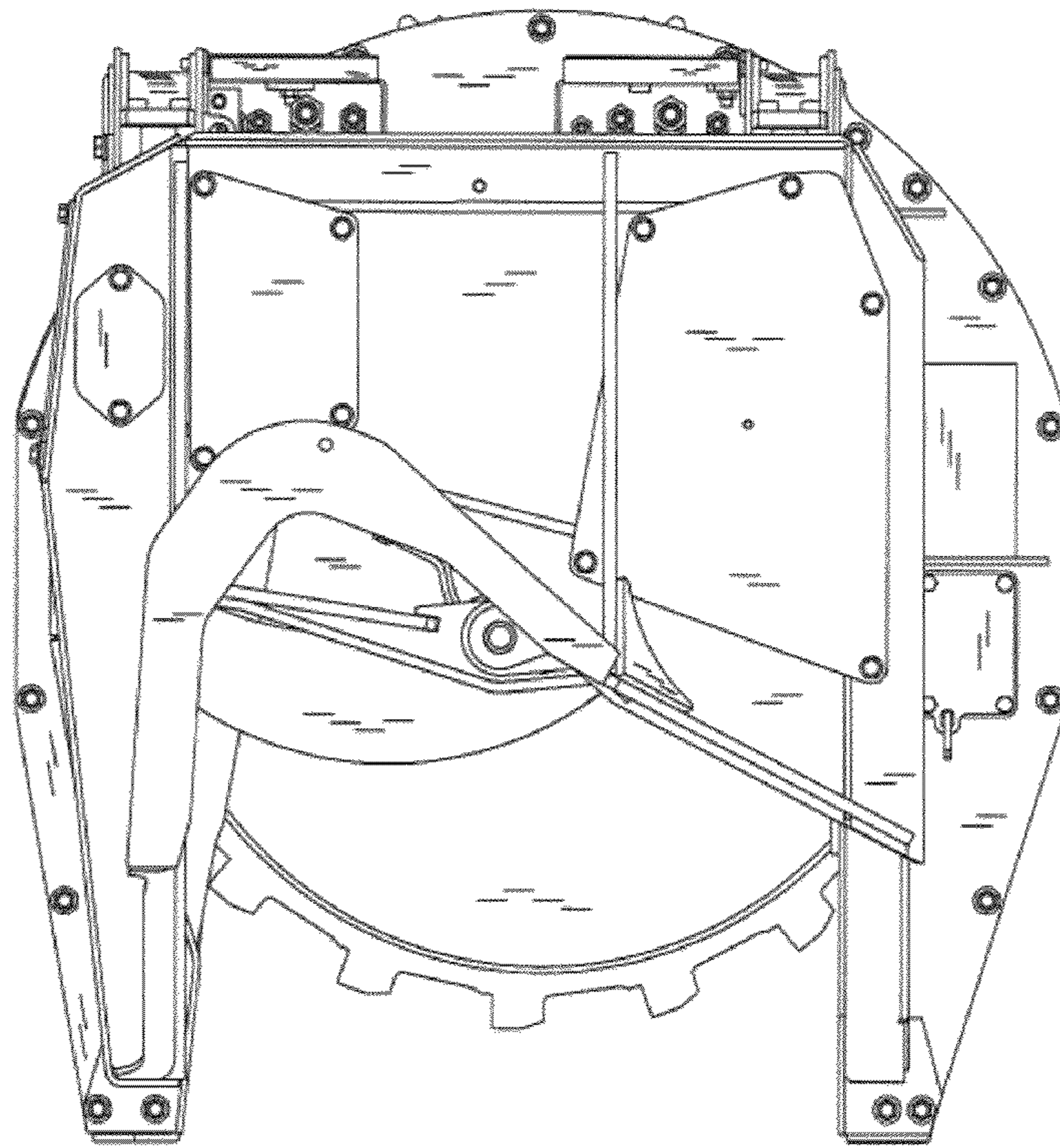


FIG. 4

FIG. 5

