

US00D678355S

(12) **United States Design Patent**
Warr

(10) **Patent No.:** **US D678,355 S**
(45) **Date of Patent:** **** Mar. 19, 2013**

- (54) **SEAT MODULE**
- (75) Inventor: **Owen J. Warr**, Muskego, WI (US)
- (73) Assignee: **Harnischfeger Technologies, Inc.**,
Wilmington, DE (US)
- (**) Term: **14 Years**
- (21) Appl. No.: **29/423,235**
- (22) Filed: **May 30, 2012**

6,189,964	B1 *	2/2001	Henshaw et al.	297/112
6,196,308	B1	3/2001	Halligan	
6,267,195	B1 *	7/2001	Takahasi et al.	180/316
6,543,848	B1	4/2003	Suga et al.	
6,557,919	B2	5/2003	Suga et al.	
6,572,172	B1	6/2003	Ninomiya et al.	
6,578,854	B2	6/2003	Wucherpennig et al.	
6,634,453	B2 *	10/2003	Arthur et al.	180/315
6,675,508	B2 *	1/2004	Tamaru et al.	37/348
6,684,969	B1	2/2004	Flowers et al.	
6,752,468	B2 *	6/2004	Eliasson	298/22 C
6,755,270	B2	6/2004	Saarinen	
6,942,282	B1 *	9/2005	Jacobs et al.	296/190.08
6,955,239	B2	10/2005	Ueda et al.	
6,981,746	B2	1/2006	Chung et al.	

(Continued)

Related U.S. Application Data

- (63) Continuation of application No. 29/407,733, filed on Dec. 1, 2011, now Pat. No. Des. 664,998.
- (51) **LOC (9) Cl.** **15-03**
- (52) **U.S. Cl.** **D15/28**
- (58) **Field of Classification Search** D15/10,
D15/22-26, 28, 30, 31; 180/89.11, 89.12,
180/89.13, 89.19, 900, 90, 315, 316, 326,
180/333, 334, 320, 336; 296/190.01, 190.08,
296/210, 190, 202, 190.03; D12/195
See application file for complete search history.

FOREIGN PATENT DOCUMENTS

GB 1022623 3/1966

OTHER PUBLICATIONS

PCT/US11/26646 International Search Report and Written Opinion dated Apr. 13, 2011 (13 pages).

(Continued)

Primary Examiner — Mark Goodwin

(74) *Attorney, Agent, or Firm* — Michael Best & Friedrich LLP

(56) **References Cited**

U.S. PATENT DOCUMENTS

4,126,202	A *	11/1978	Hern	180/89.12
4,278,144	A	7/1981	Perin	
4,344,356	A	8/1982	Casterton et al.	
4,471,848	A *	9/1984	Skytoen	180/90
4,480,867	A	11/1984	Ezell et al.	
4,492,151	A	1/1985	Mattei	
4,612,975	A	9/1986	Ikari	
4,616,725	A	10/1986	McDaniel	
4,771,855	A	9/1988	Takashima et al.	
4,846,529	A	7/1989	Tulley	
5,275,255	A	1/1994	Huntley et al.	
5,308,279	A	5/1994	Grinberg	
5,890,764	A	4/1999	Lee	
5,992,156	A	11/1999	Isobe et al.	
6,012,295	A	1/2000	Isobe et al.	
D420,685	S *	2/2000	Muranen	D15/30
6,022,182	A	2/2000	Everett	
6,039,141	A *	3/2000	Denny	180/329
6,186,573	B1	2/2001	Thurab	

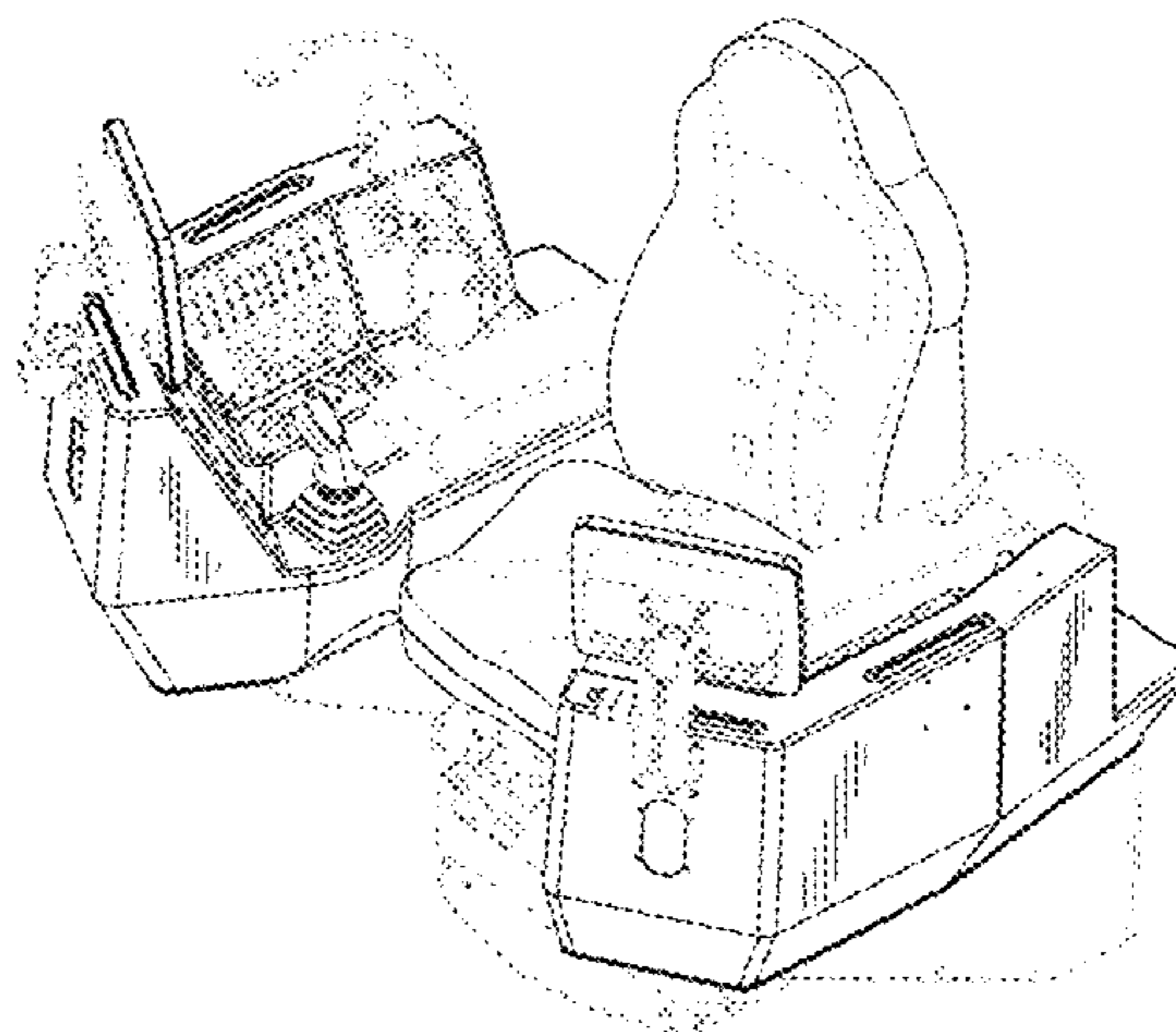
(57) **CLAIM**

I claim the ornamental design for a seat module, as shown and described.

DESCRIPTION

FIG. 1 is a perspective view of a seat module my new design. FIG. 2 is a rear perspective view of the seat module shown in FIG. 1. FIG. 3 is a bottom perspective view of the seat module shown in FIG. 1. FIG. 4 is a front view of the seat module shown in FIG. 1. FIG. 5 is a side view of the seat module shown in FIG. 1; and, FIG. 6 is a top view of the seat module shown in FIG. 1. The broken lines shown in the drawings are for illustrative purposes only and form no part of the claimed design.

1 Claim, 6 Drawing Sheets



US D678,355 S

Page 2

U.S. PATENT DOCUMENTS

7,036,883 B1 5/2006 Thompson et al.
7,059,680 B2 6/2006 Billger et al.
7,069,736 B2 7/2006 Kamimae et al.
7,083,019 B2 8/2006 Chiou et al.
D535,310 S 1/2007 Kuwae et al.
7,159,687 B2 1/2007 Dunn et al.
D546,841 S * 7/2007 McCarren et al. D15/28
7,294,181 B1 11/2007 Smith
7,347,299 B2 3/2008 Billger et al.
7,434,863 B2 10/2008 Hamazaki et al.
7,520,567 B2 4/2009 Billger et al.
7,575,276 B1 8/2009 Henry
7,681,630 B2 3/2010 Klassen et al.
7,854,291 B2 * 12/2010 Akahane et al. 180/333
7,857,090 B2 * 12/2010 Ruhter et al. 180/333
7,913,798 B2 * 3/2011 Frett et al. 180/333
8,091,678 B2 * 1/2012 Rowan et al. 180/320
8,104,566 B2 * 1/2012 Harber et al. 180/315

2003/0070900 A1 4/2003 Elwell
2006/0061122 A1 3/2006 Billger et al.
2006/0144634 A1 7/2006 Portscheller et al.
2009/0276122 A1 11/2009 Demong et al.
2010/0300796 A1 12/2010 Ryan et al.

OTHER PUBLICATIONS

Peterson et al., U.S. Appl. No. 13/037,878, filed Mar. 1, 2011.
Krellner et al., U.S. Appl. No. 13/369,622, filed Feb. 9, 2012.
Buchsbaum, "Foresight Energy Invests in Illinois: The Cline Group constructs four underground coal mining complexes," Coal Age, Dec. 2010.
Notice of Allowance from the United States Patent and Trademark Office for U.S. Appl. No. 29/407,733 dated Apr. 4, 2012 (9 pages).
Notice of Allowance from the United States Patent and Trademark Office for U.S. Appl. No. 29/423,232 dated Aug. 9, 2012 (8 pages).

* cited by examiner

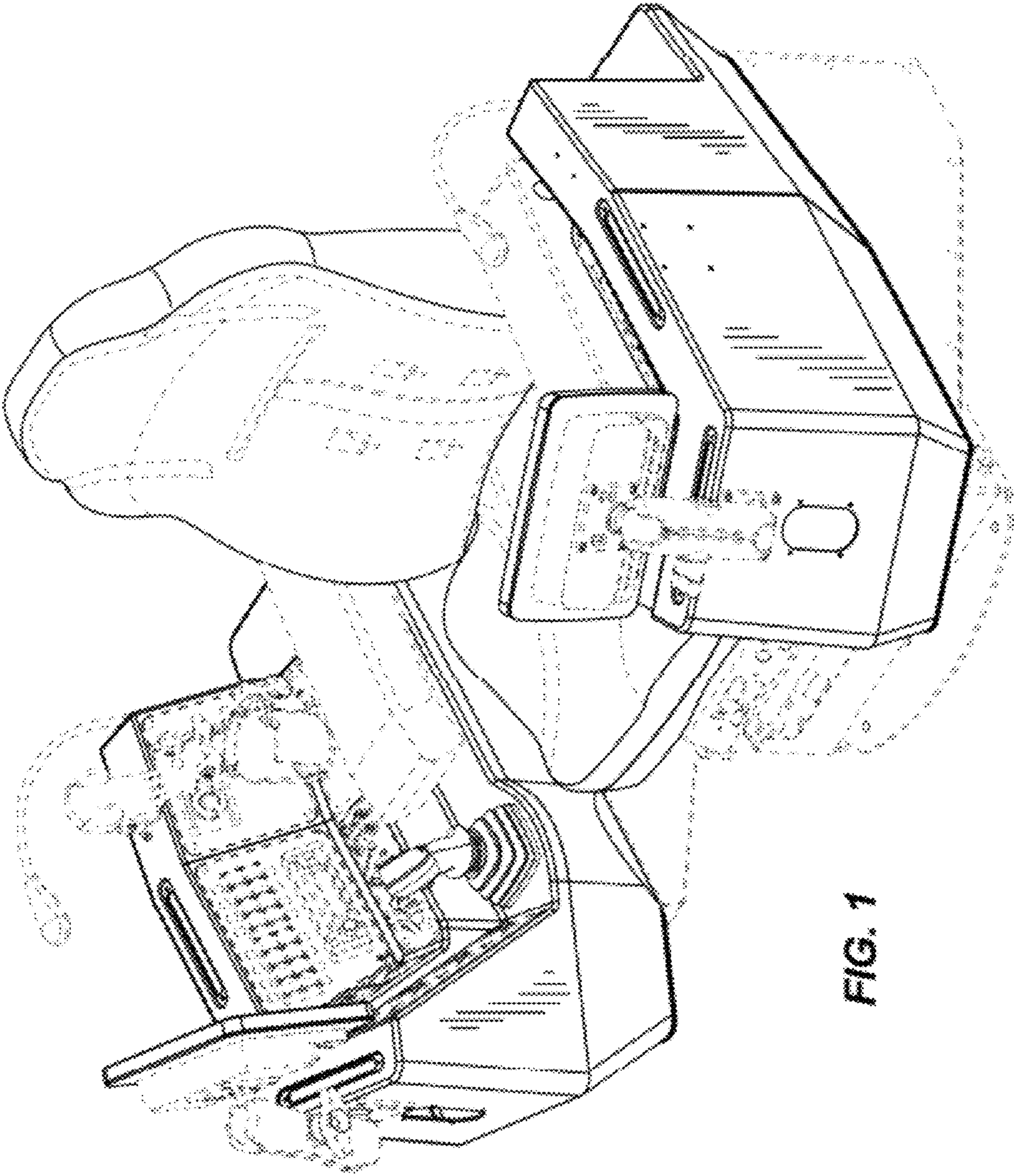


FIG. 1

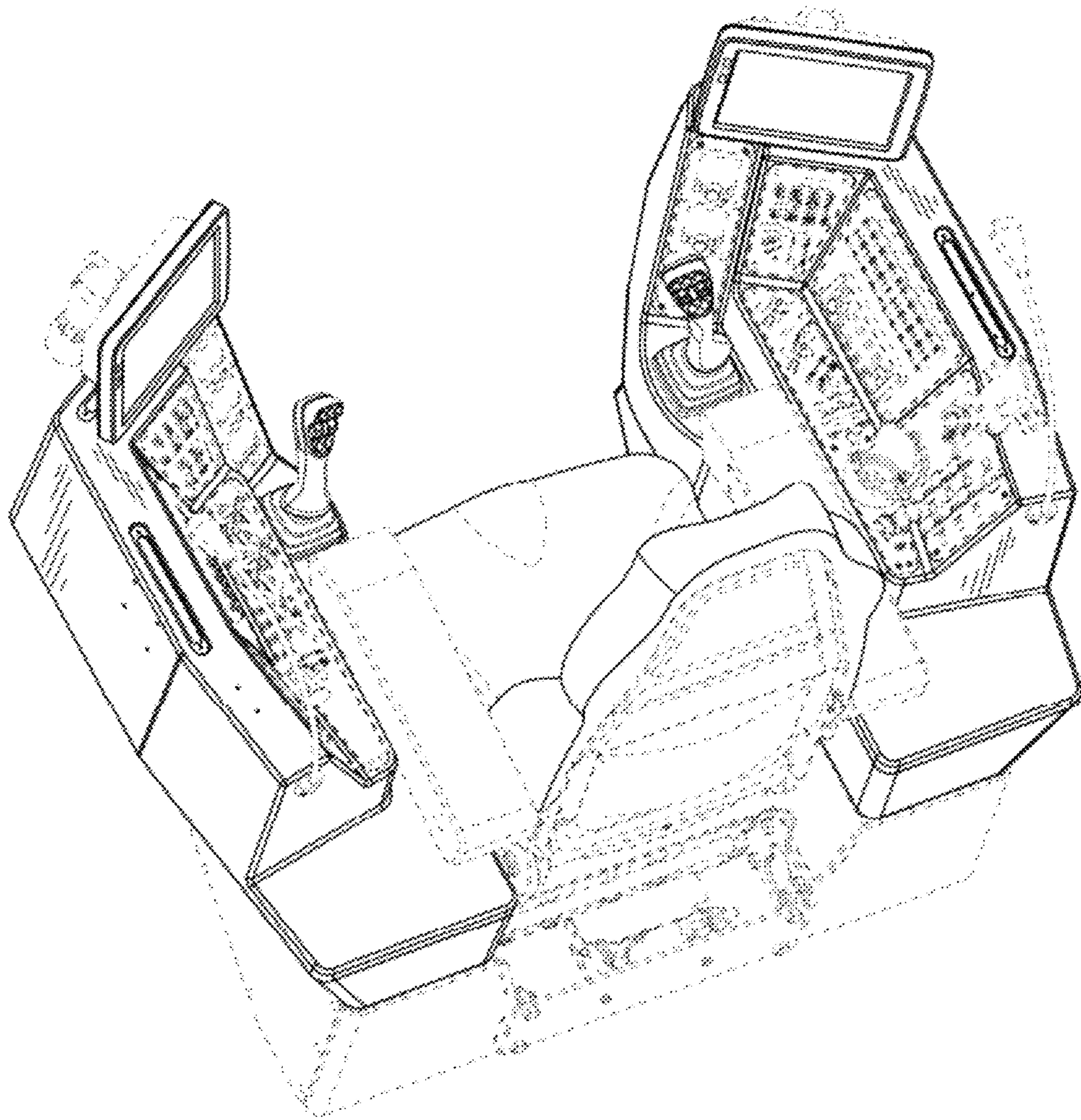


FIG. 2

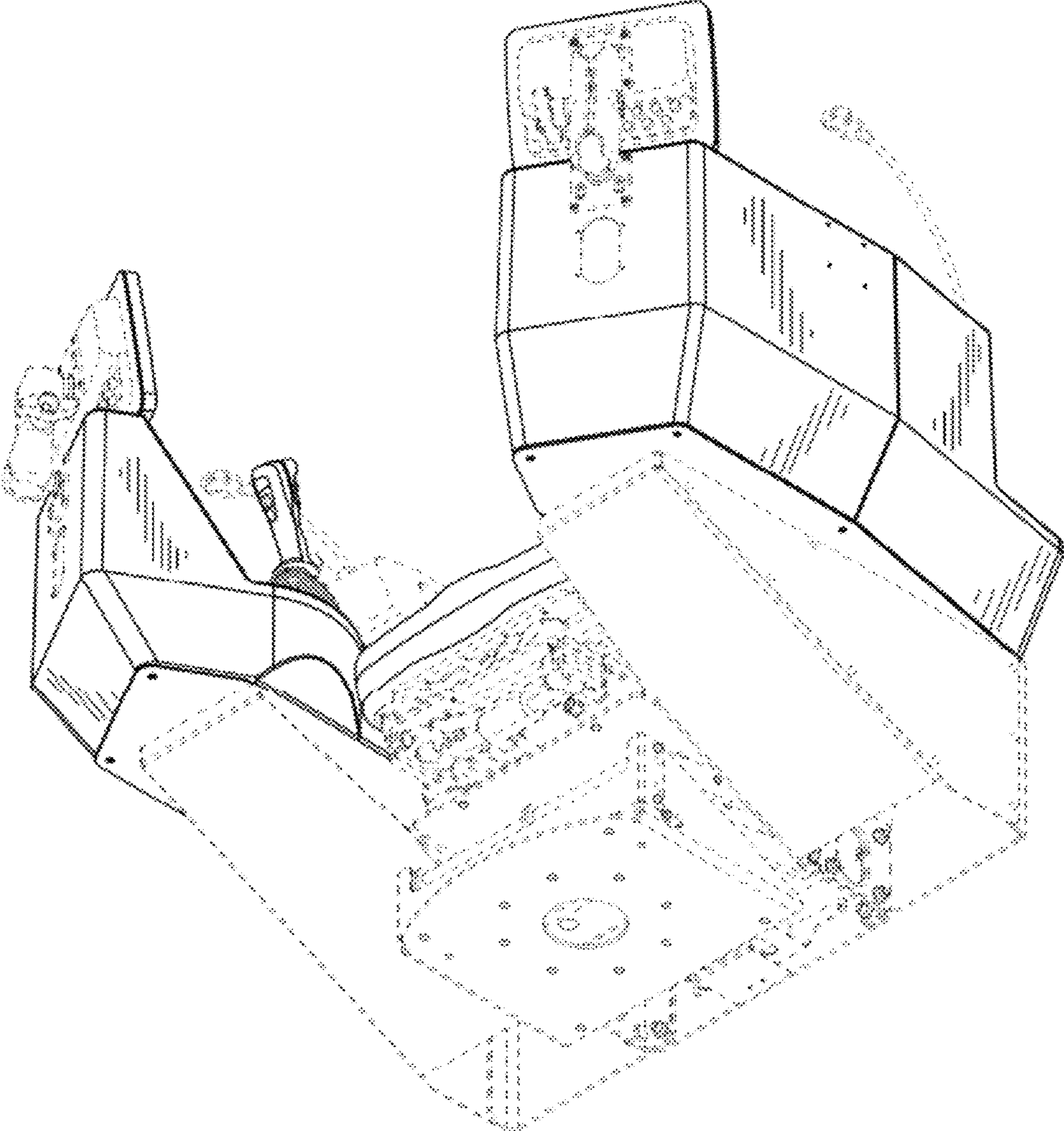


FIG. 3

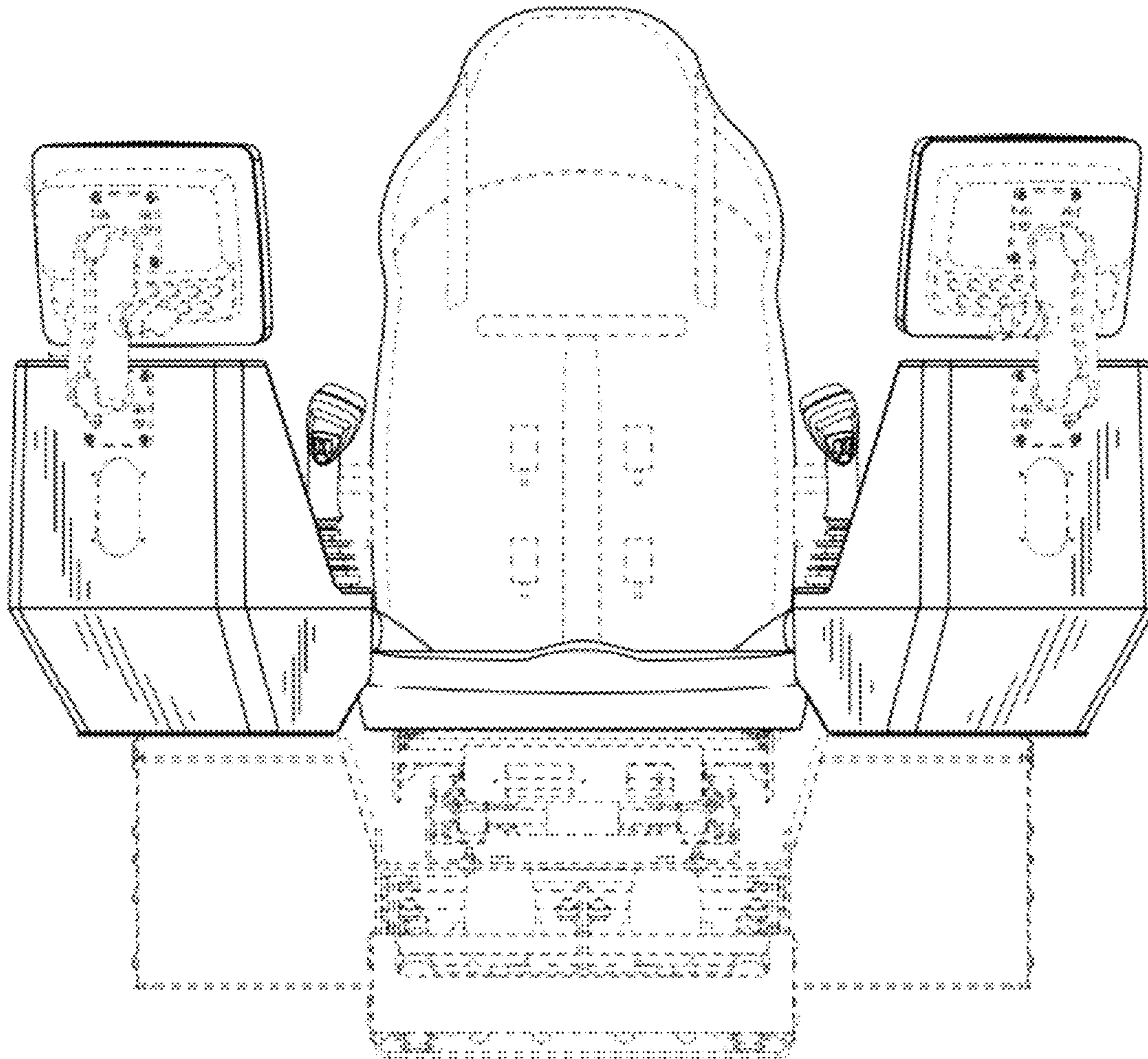


FIG. 4

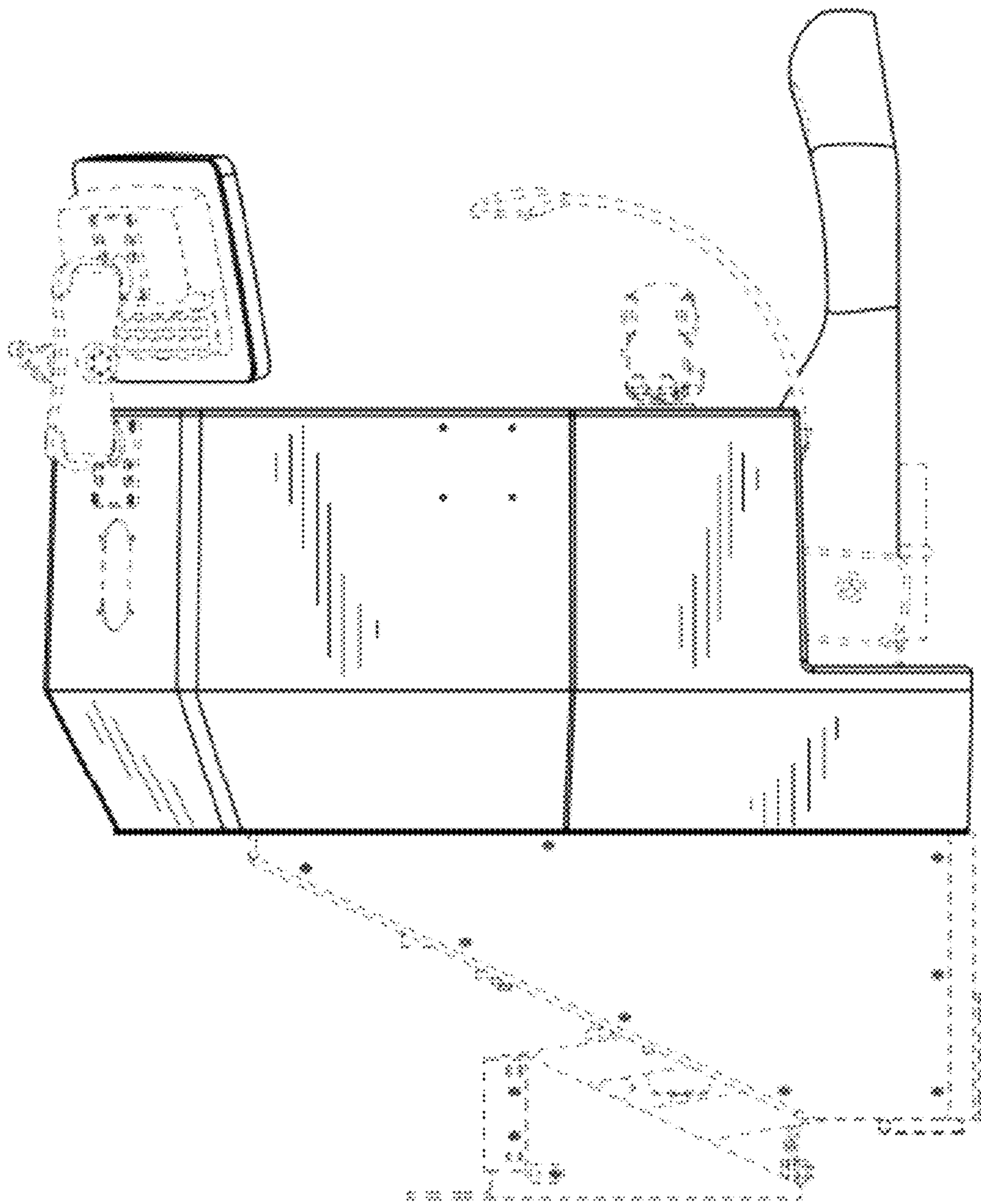


FIG. 5

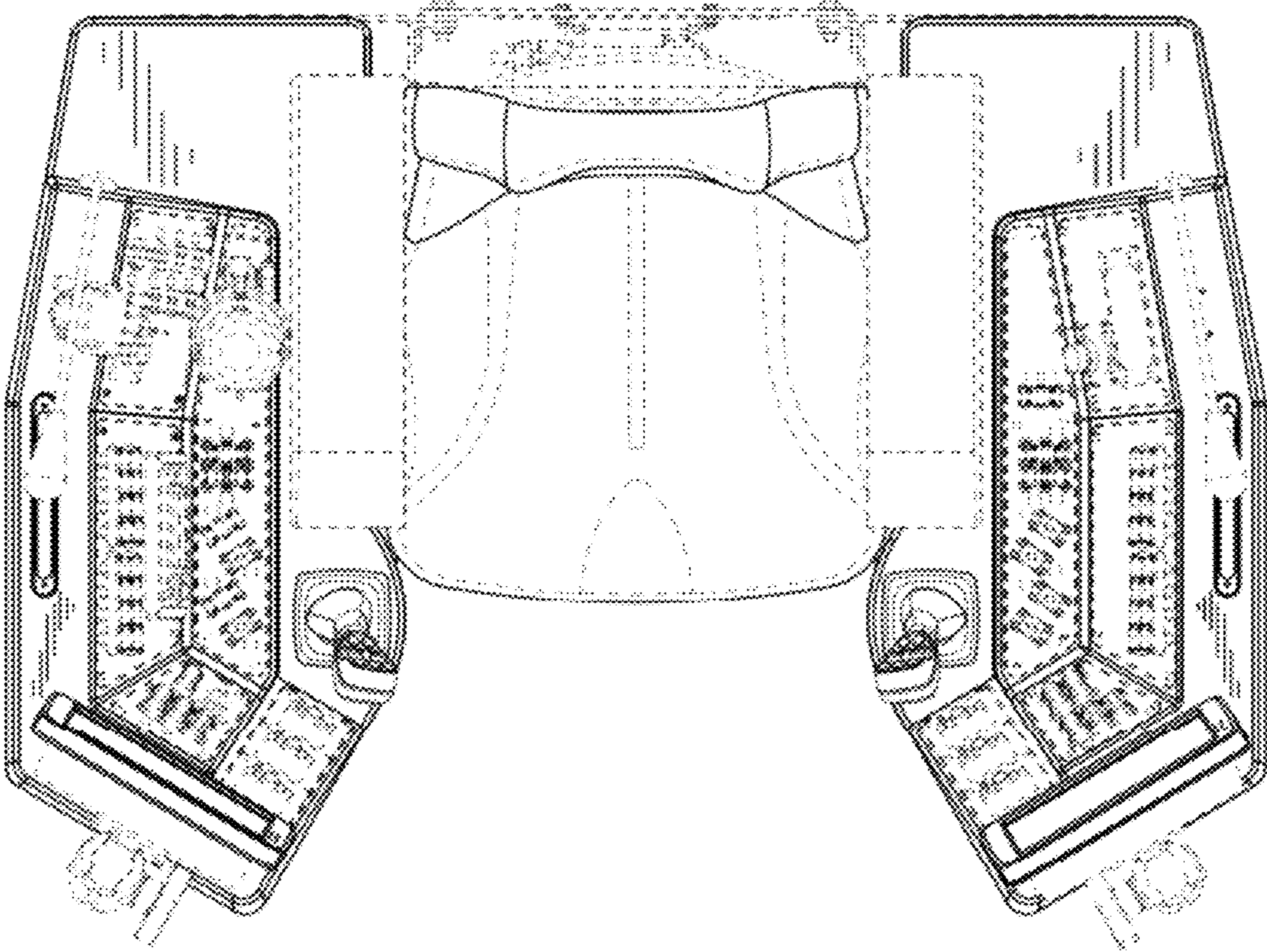


FIG. 6