



US00D678354S

(12) **United States Design Patent**
Hiraoka et al.

(10) **Patent No.:** **US D678,354 S**
(45) **Date of Patent:** **** Mar. 19, 2013**

(54) **HYDRAULIC EXCAVATOR**

(75) Inventors: **Kazuhiko Hiraoka**, Kodaira (JP);
Shigehisa Hagura, Akishima (JP);
Tomoyuki Miyata, Kodaira (JP);
Toshiaki Nishida, Ushiku (JP);
Kazunori Komatsu, Kasumigaura (JP);
Hiroki Tanaka, Yuki (JP); **Hiroyuki**
Isobe, Tsuchiura (JP); **Masao**
Nakamura, Tsukuba (JP)

D391,272	S	*	2/1998	Jin et al.	D15/25
D409,629	S	*	5/1999	Miyaoka et al.	D15/25
D437,602	S	*	2/2001	Hiraoka et al.	D15/25
D460,975	S	*	7/2002	Yanagida et al.	D15/25
D462,973	S	*	9/2002	Tamaru et al.	D15/25
D462,974	S	*	9/2002	Yanagida et al.	D15/25
D534,552	S	*	1/2007	Yanagida	D15/25

FOREIGN PATENT DOCUMENTS

CN	301611810	S	7/2011
JP	D 1240324	S	5/2005
JP	D 1342289	S	10/2008

OTHER PUBLICATIONS

U.S. Appl. No. 29/430,480, filed Aug. 27, 2012, Hiraoka et al.

* cited by examiner

Primary Examiner — Mark Goodwin

(74) *Attorney, Agent, or Firm* — Antonelli, Terry, Stout & Kraus, LLP.

(73) Assignee: **Hitachi Construction Machinery Co., Ltd.**, Tokyo (JP)

(**) Term: **14 Years**

(21) Appl. No.: **29/430,477**

(22) Filed: **Aug. 27, 2012**

(30) **Foreign Application Priority Data**

Feb. 29, 2012 (JP) 2012-004467

(51) **LOC (9) Cl.** **12-09**

(52) **U.S. Cl.** **D15/25**

(58) **Field of Classification Search** D15/10,
D15/22-26; 37/403, 411, 443; 414/685,
414/686, 688, 722-724; 180/89.13
See application file for complete search history.

(56) **References Cited**

U.S. PATENT DOCUMENTS

4,397,481	A	*	8/1983	Dion et al.	280/781
D271,396	S	*	11/1983	Inui	D15/24
5,544,435	A	*	8/1996	Somero	37/405
5,590,482	A	*	1/1997	Peterson et al.	37/403

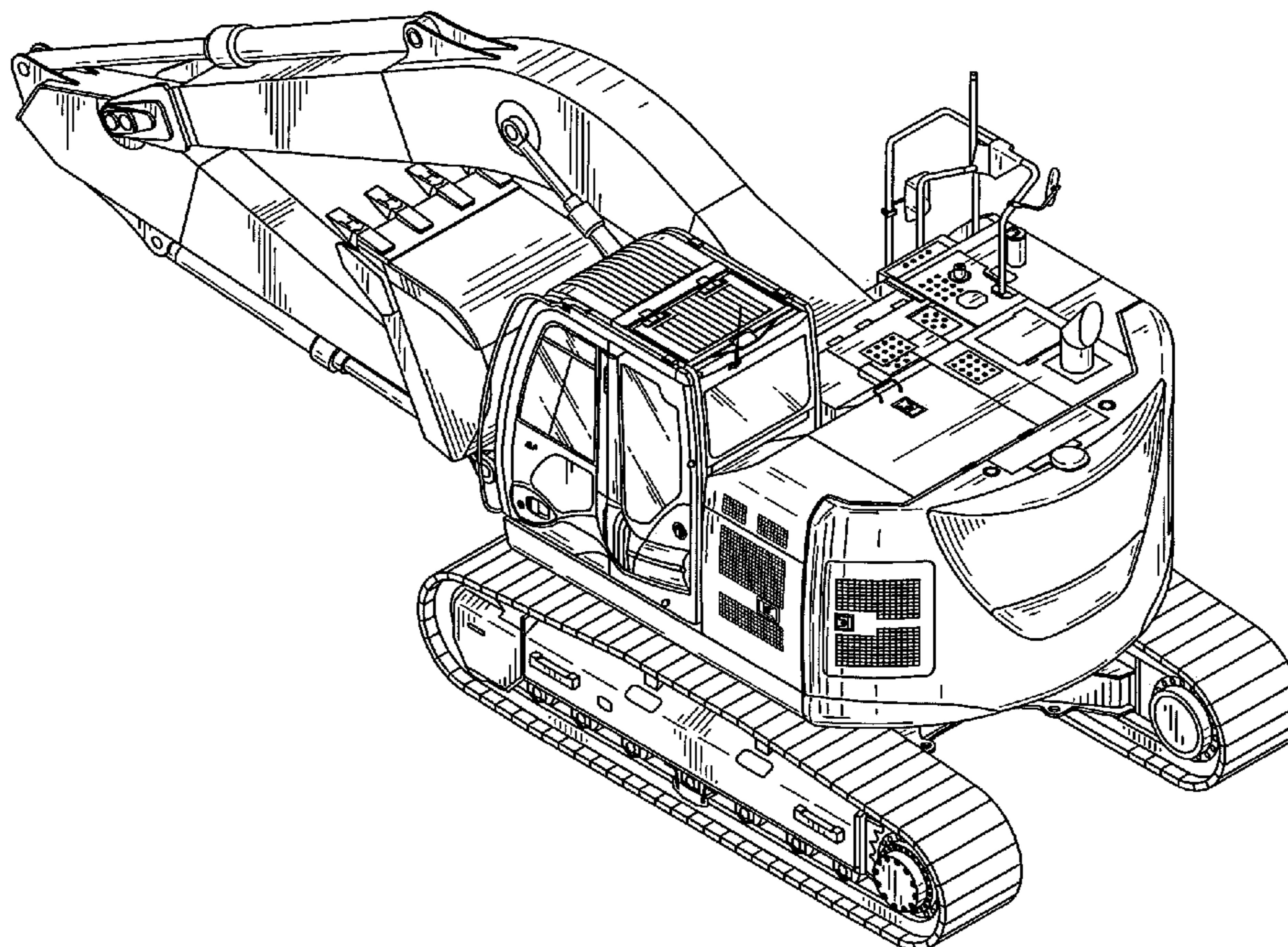
(57) **CLAIM**

The ornamental design for a hydraulic excavator, as shown.

DESCRIPTION

FIG. 1 is a front, top and right side perspective view of a hydraulic excavator showing our/my new design;
FIG. 2 is a front elevational view thereof;
FIG. 3 is a rear elevational view thereof;
FIG. 4 is a left side elevational view thereof;
FIG. 5 is a right side elevational view thereof;
FIG. 6 is a top plan view thereof; and,
FIG. 7 is a bottom plan view thereof.

1 Claim, 6 Drawing Sheets



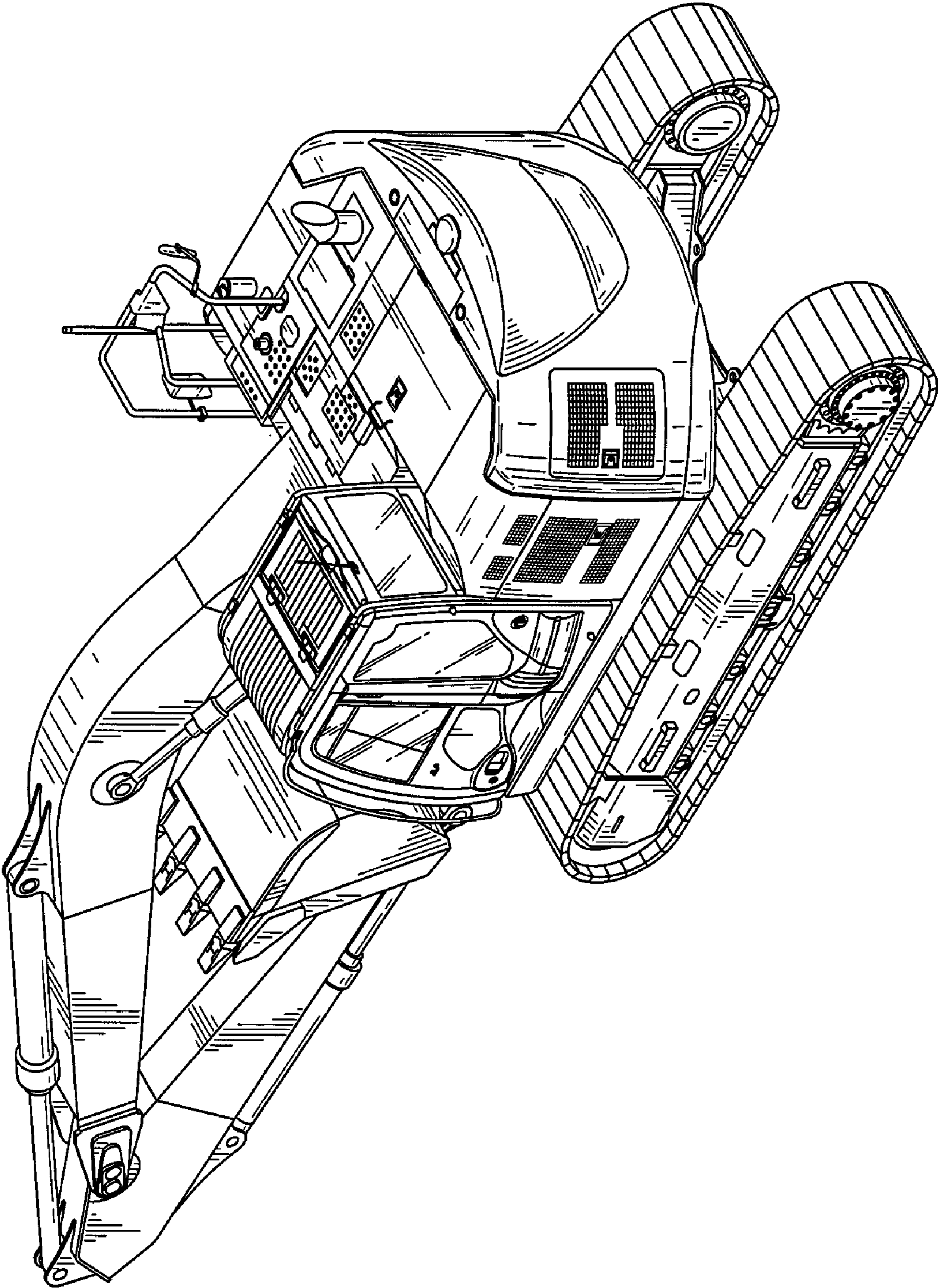


FIG. 1

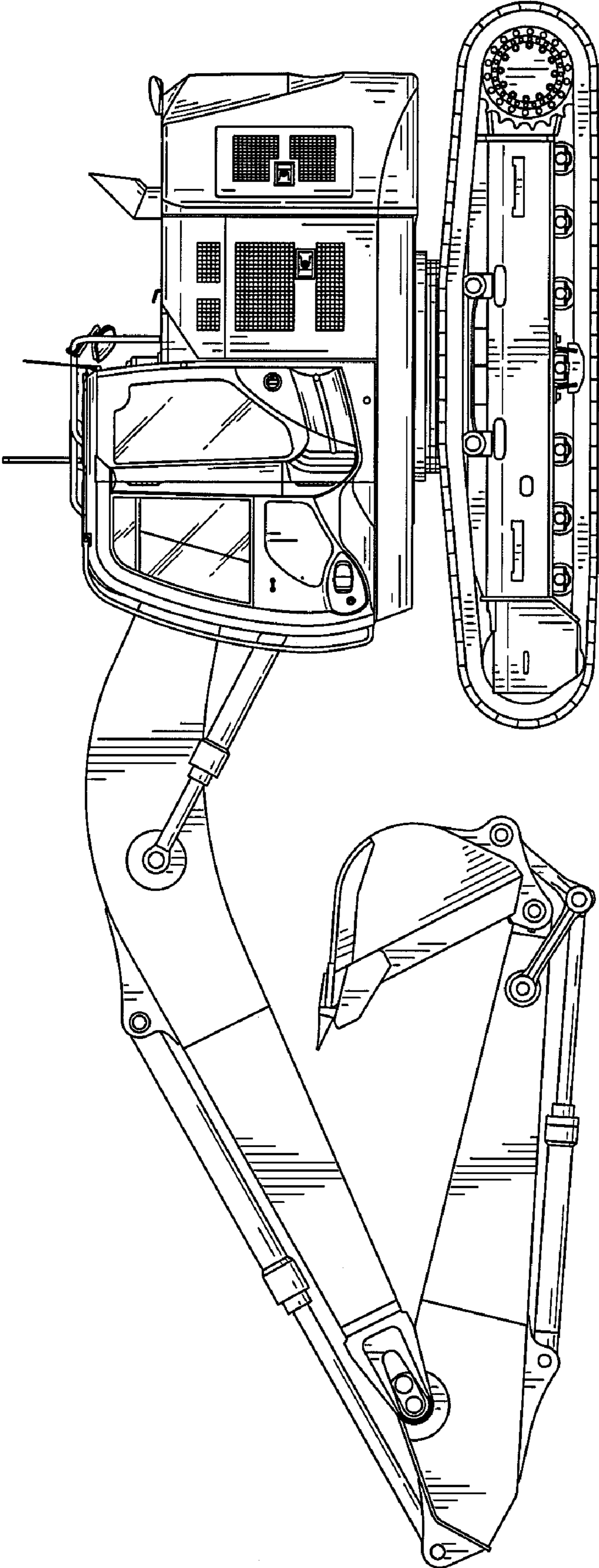


FIG. 2

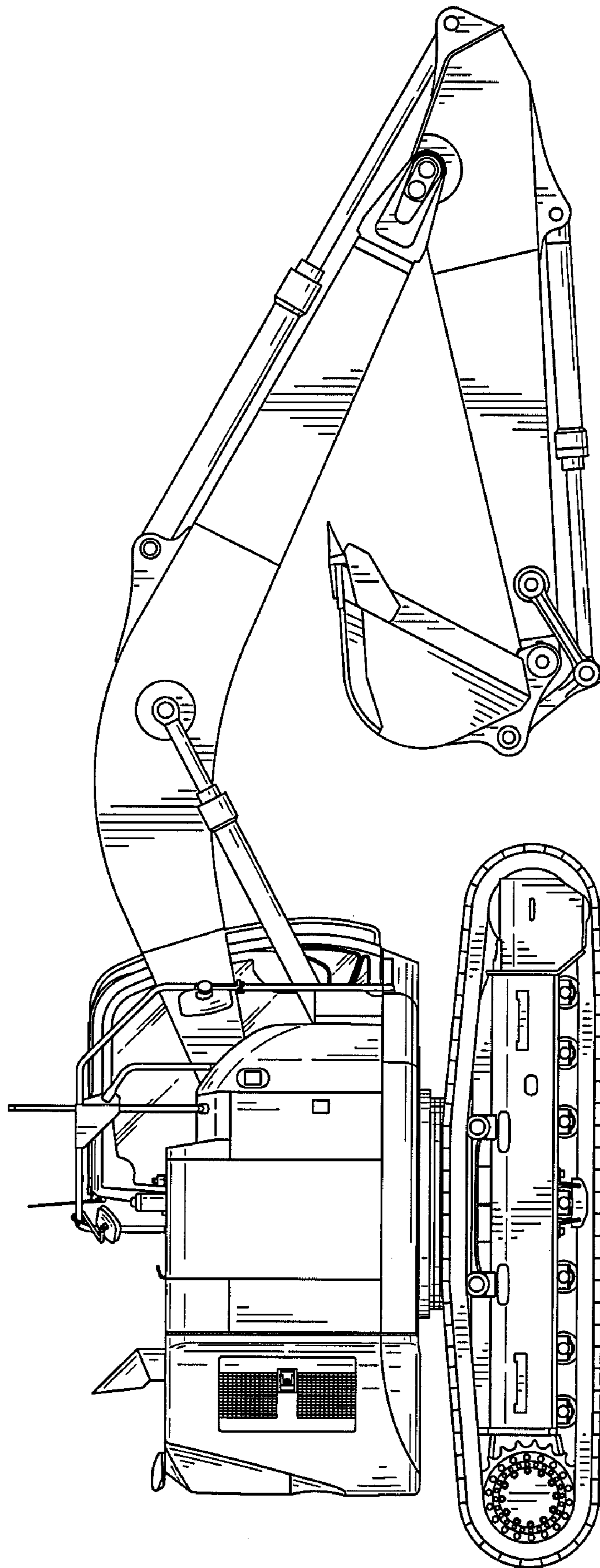


FIG. 3

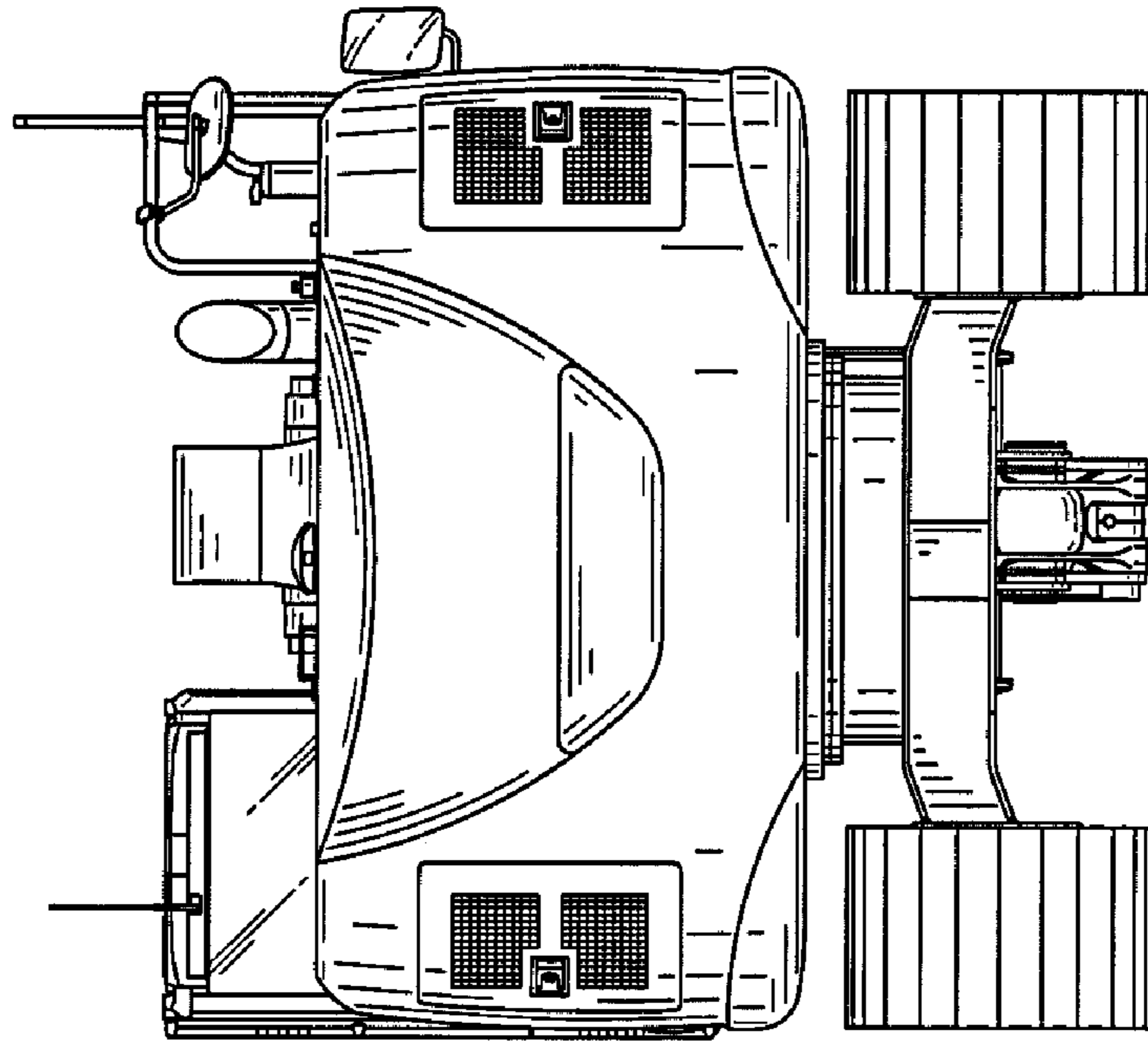


FIG. 5

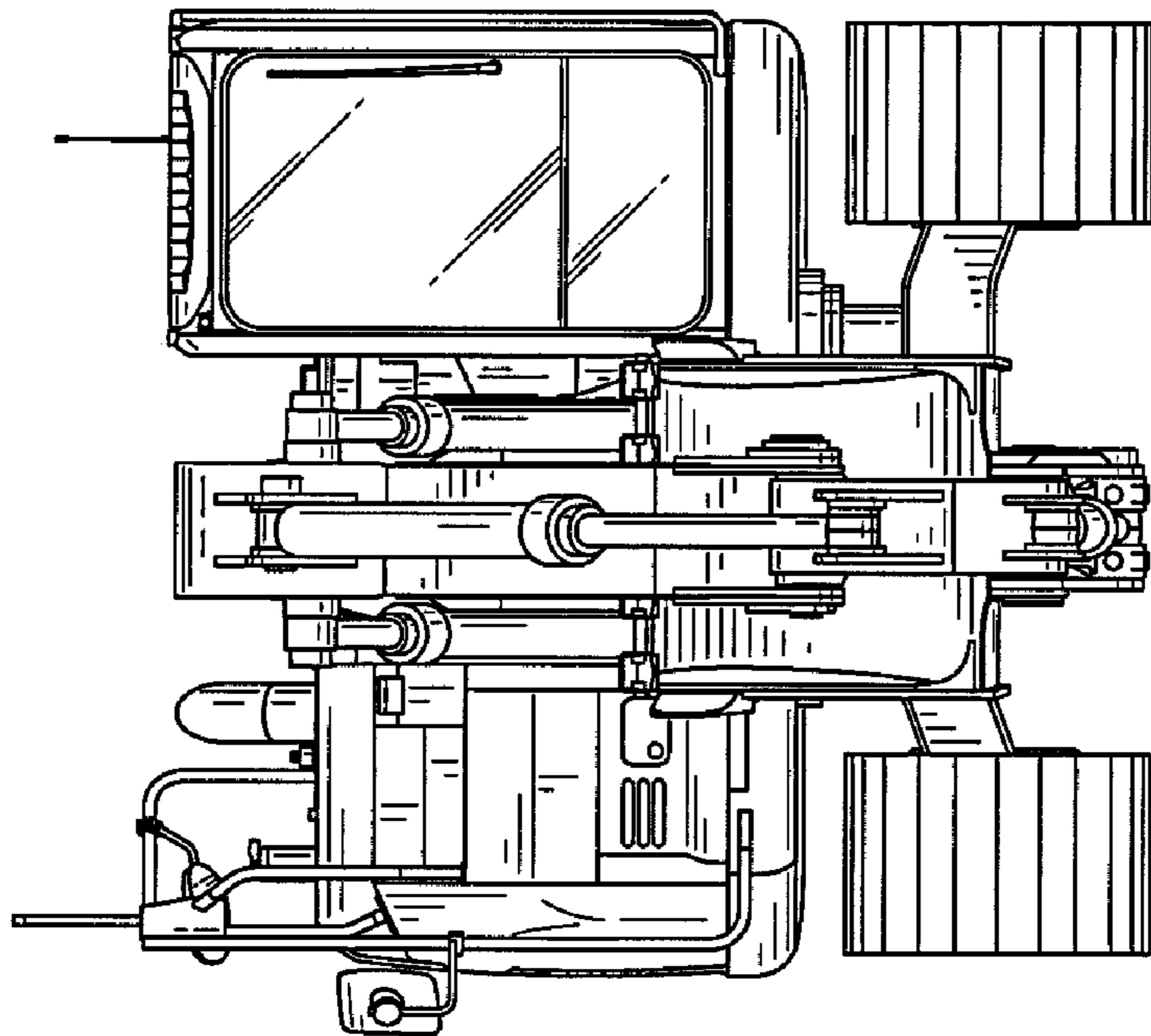


FIG. 4

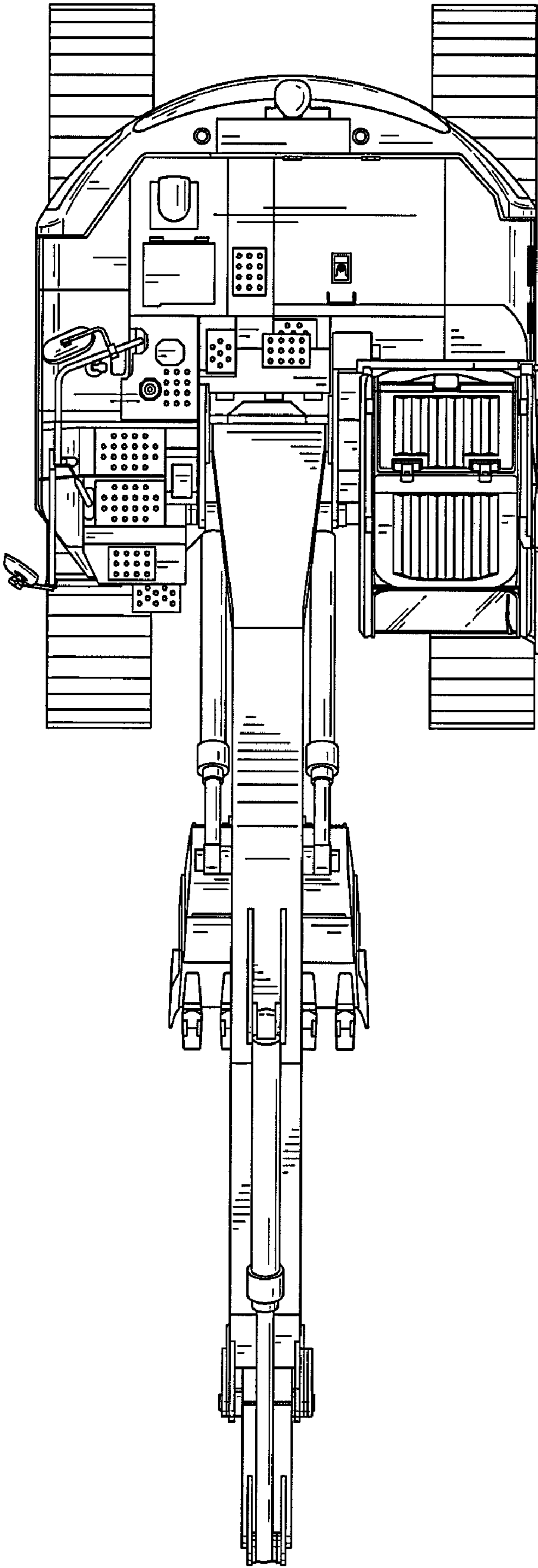


FIG. 6

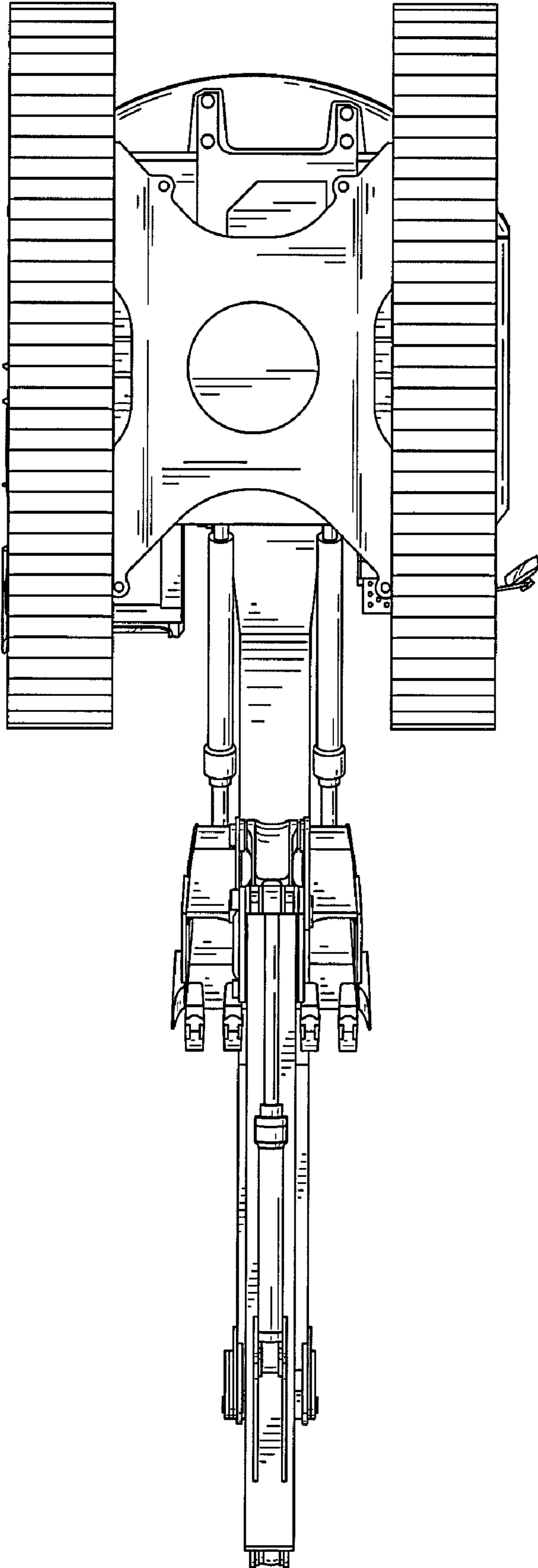


FIG. 7