



US00D678353S

(12) **United States Design Patent**
Kakudate et al.

(10) **Patent No.:** **US D678,353 S**
(45) **Date of Patent:** **** Mar. 19, 2013**

(54) **TRACTOR**

(75) Inventors: **Akari Kakudate**, Sakai (JP); **Jyunta Kuwae**, Osaka (JP); **Takashi Shimomura**, Osaka (JP)

(73) Assignee: **Kubota Corporation**, Osaka (JP)

(**) Term: **14 Years**

(21) Appl. No.: **29/430,737**

(22) Filed: **Aug. 29, 2012**

(30) **Foreign Application Priority Data**

Feb. 29, 2012 (JP) 2012-004518

(51) **LOC (9) Cl.** **12-09**

(52) **U.S. Cl.** **D15/23**

(58) **Field of Classification Search** D15/10,
D15/14-17, 22-26; 56/13.4, 13.3, 15.8,
56/15.9, 16.1, 16.7, 175, 202; 180/89.1,
180/89.12, 900

See application file for complete search history.

(56) **References Cited**

U.S. PATENT DOCUMENTS

D438,546 S * 3/2001 Katoh et al. D15/23
D501,487 S * 2/2005 Katoh et al. D15/23
D547,333 S * 7/2007 Nishi et al. D15/23

D553,159 S * 10/2007 Higashikawa et al. D15/23
D581,953 S * 12/2008 Matsumoto et al. D15/23
D599,826 S * 9/2009 Kuwae D15/26
D605,668 S * 12/2009 Matsumoto et al. D15/23
D613,313 S * 4/2010 Bhanuprakash D15/23
D613,777 S * 4/2010 Bianco et al. D15/33
D622,292 S * 8/2010 Ryczek et al. D15/15
D622,295 S * 8/2010 Ryczek et al. D15/31
D641,027 S * 7/2011 Kawashiri et al. D15/23

* cited by examiner

Primary Examiner — Mark Goodwin

(74) *Attorney, Agent, or Firm* — Greenblum & Bernstein, P.L.C.

(57) **CLAIM**

We claim the ornamental design for a tractor, as shown and described.

DESCRIPTION

FIG. 1 is a front elevational view of a tractor, showing our new design;

FIG. 2 is a rear elevational view thereof;

FIG. 3 is a left side elevational view thereof;

FIG. 4 is a right side elevational view thereof;

FIG. 5 is a top plan view thereof;

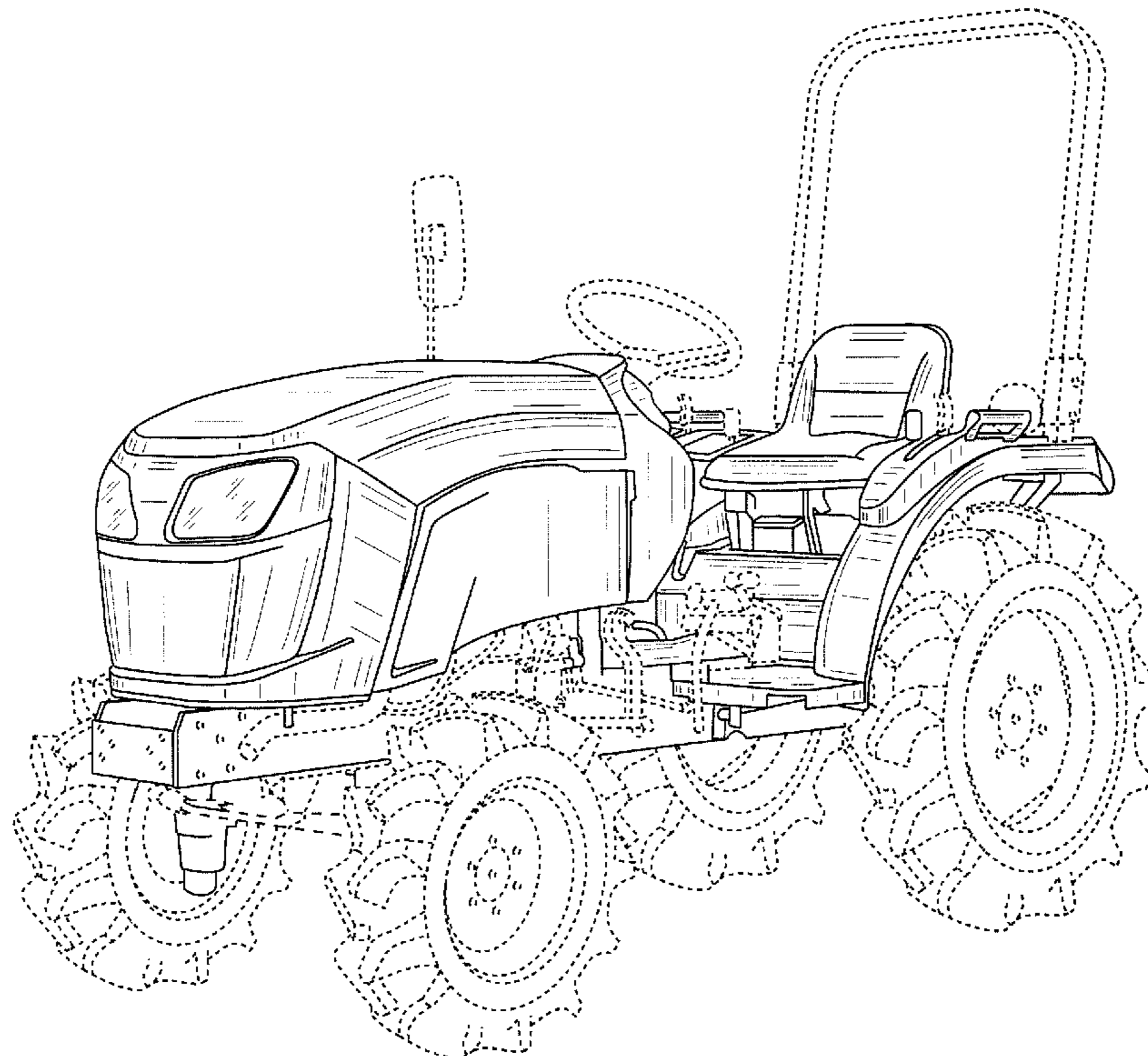
FIG. 6 is a perspective view thereof;

FIG. 7 is another perspective view thereof; and,

FIG. 8 is another perspective view thereof.

The broken lines indicate structure that is for illustrative purposes only and form no part of the claimed design.

1 Claim, 8 Drawing Sheets



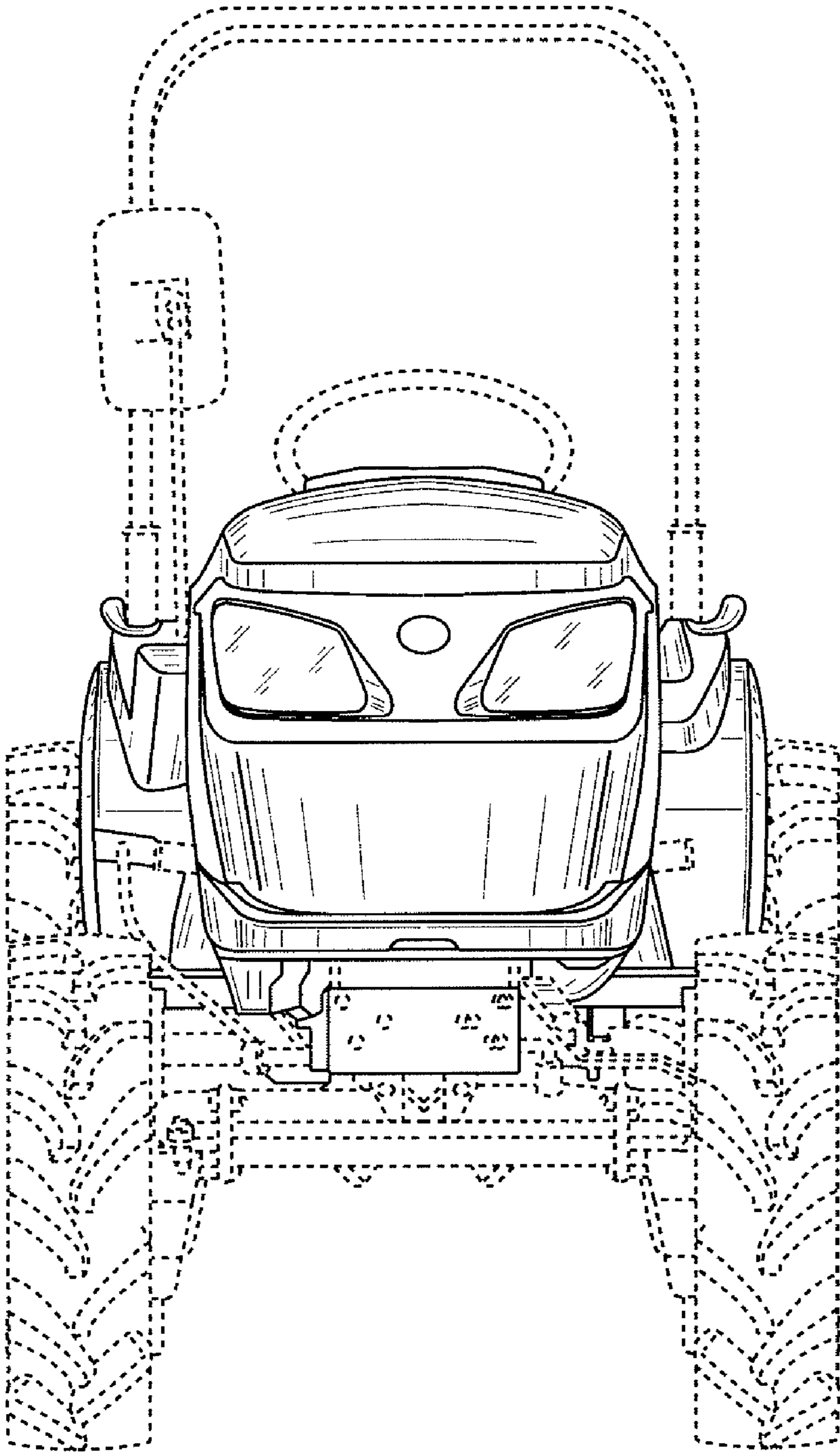


FIG. 1

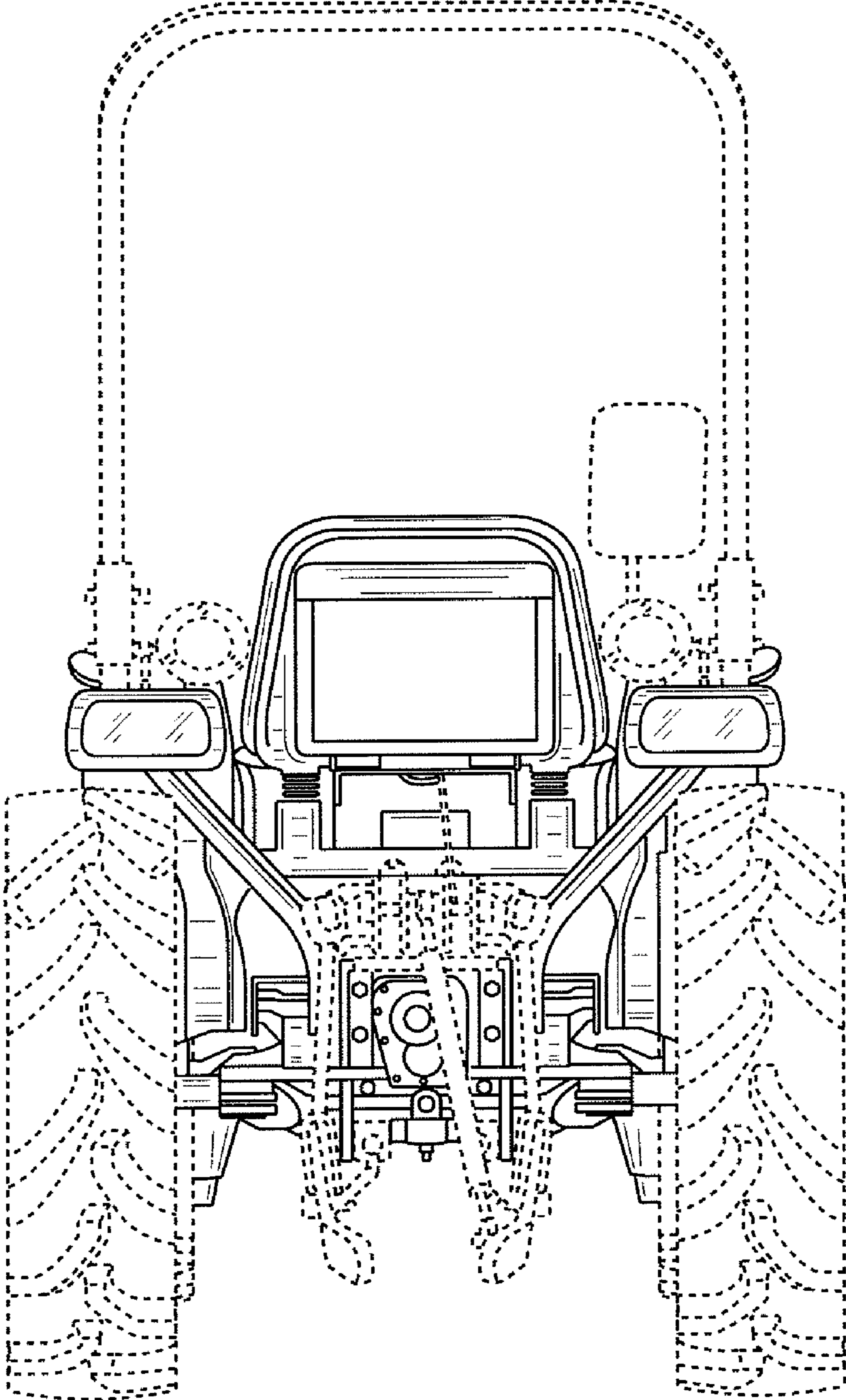


FIG. 2

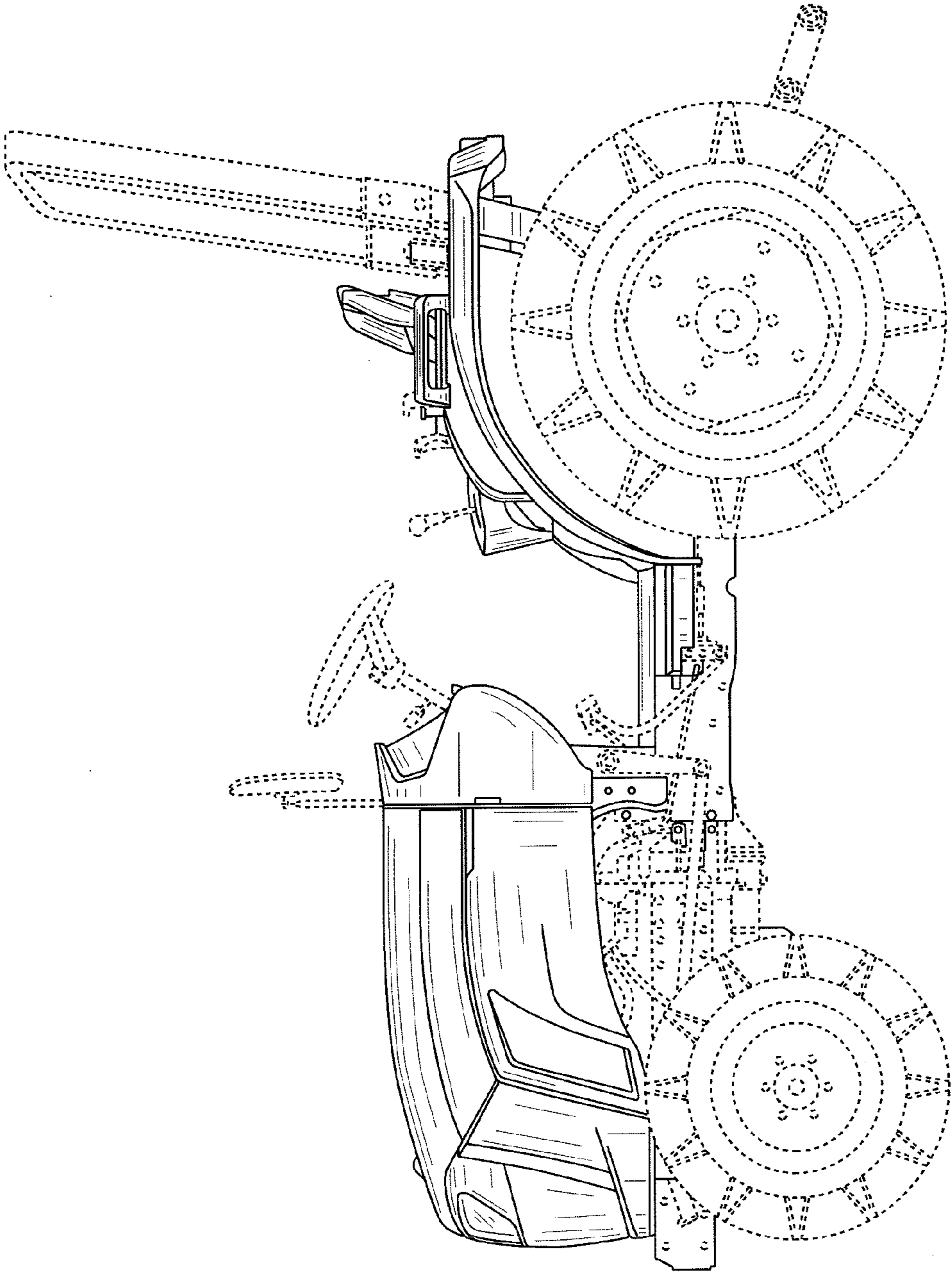


FIG. 3

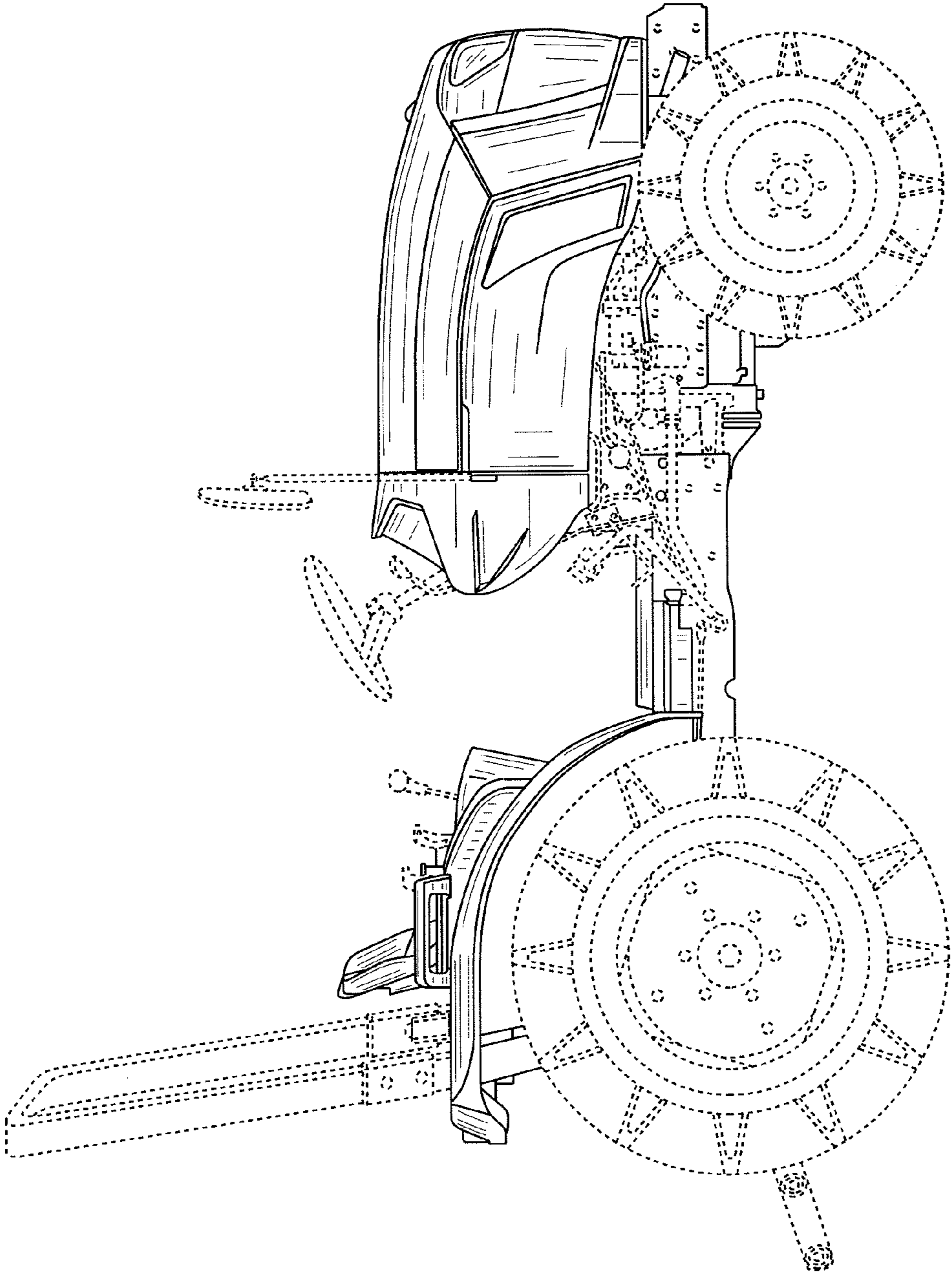


FIG. 4

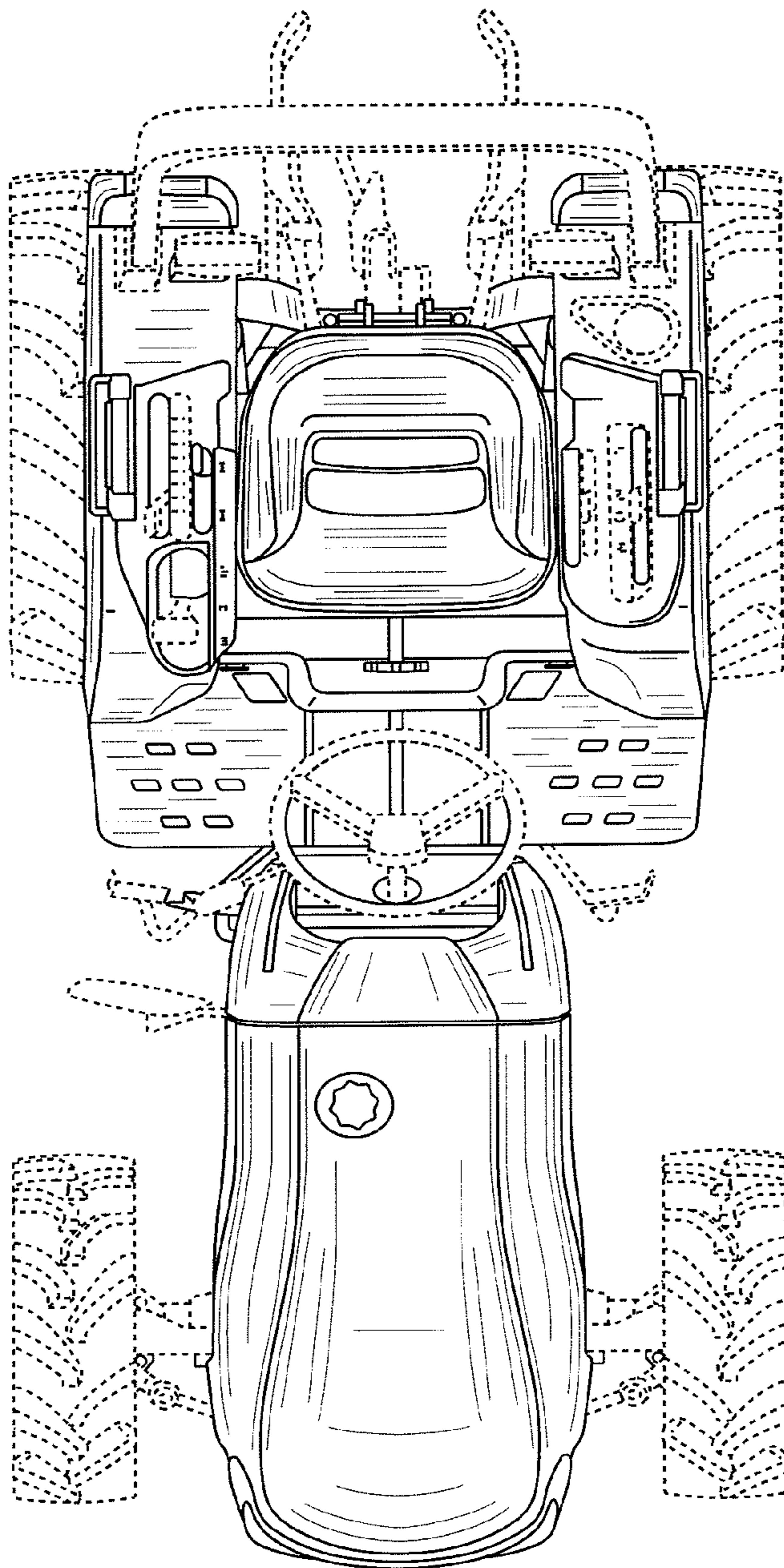


FIG. 5

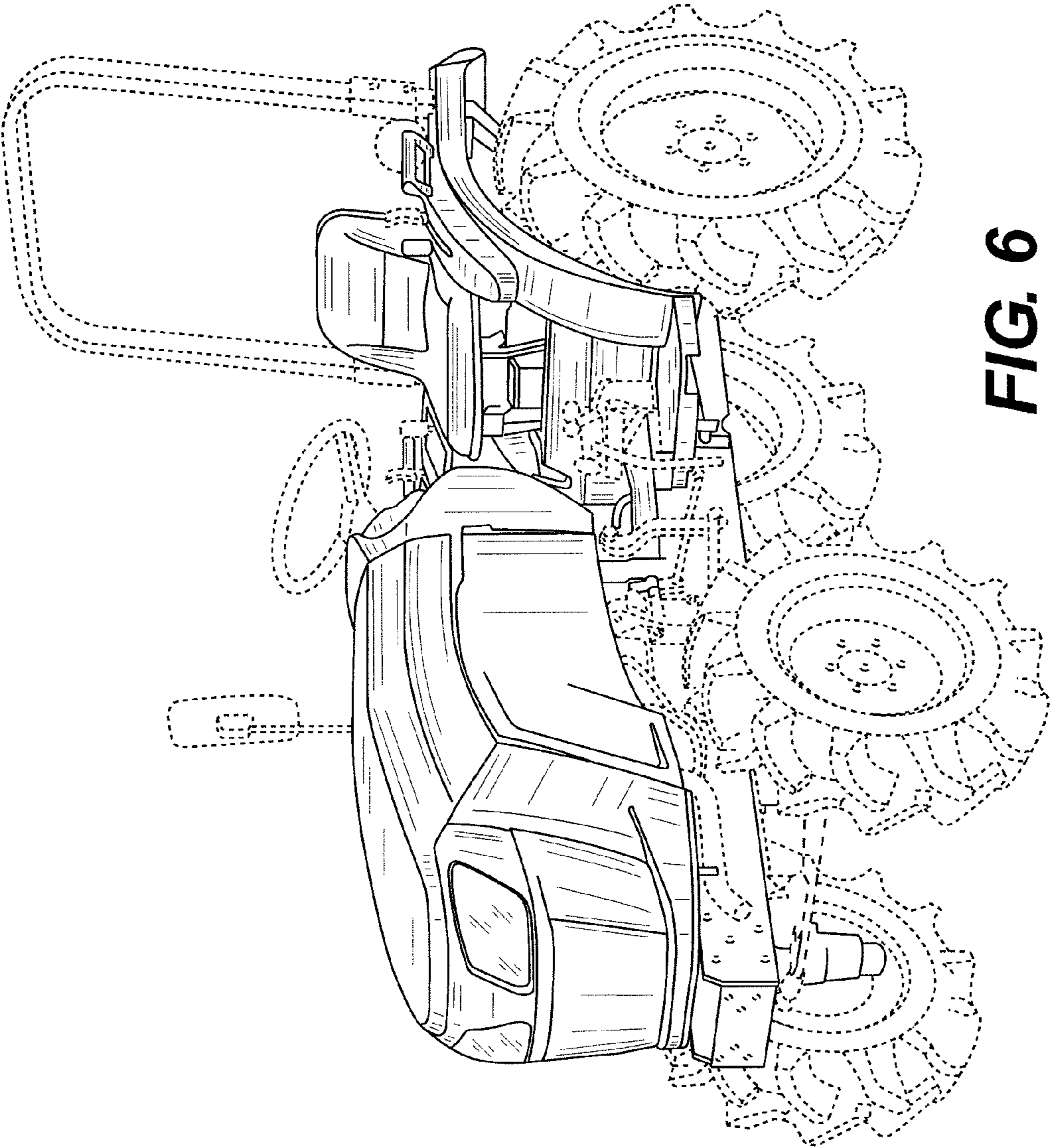


FIG. 6

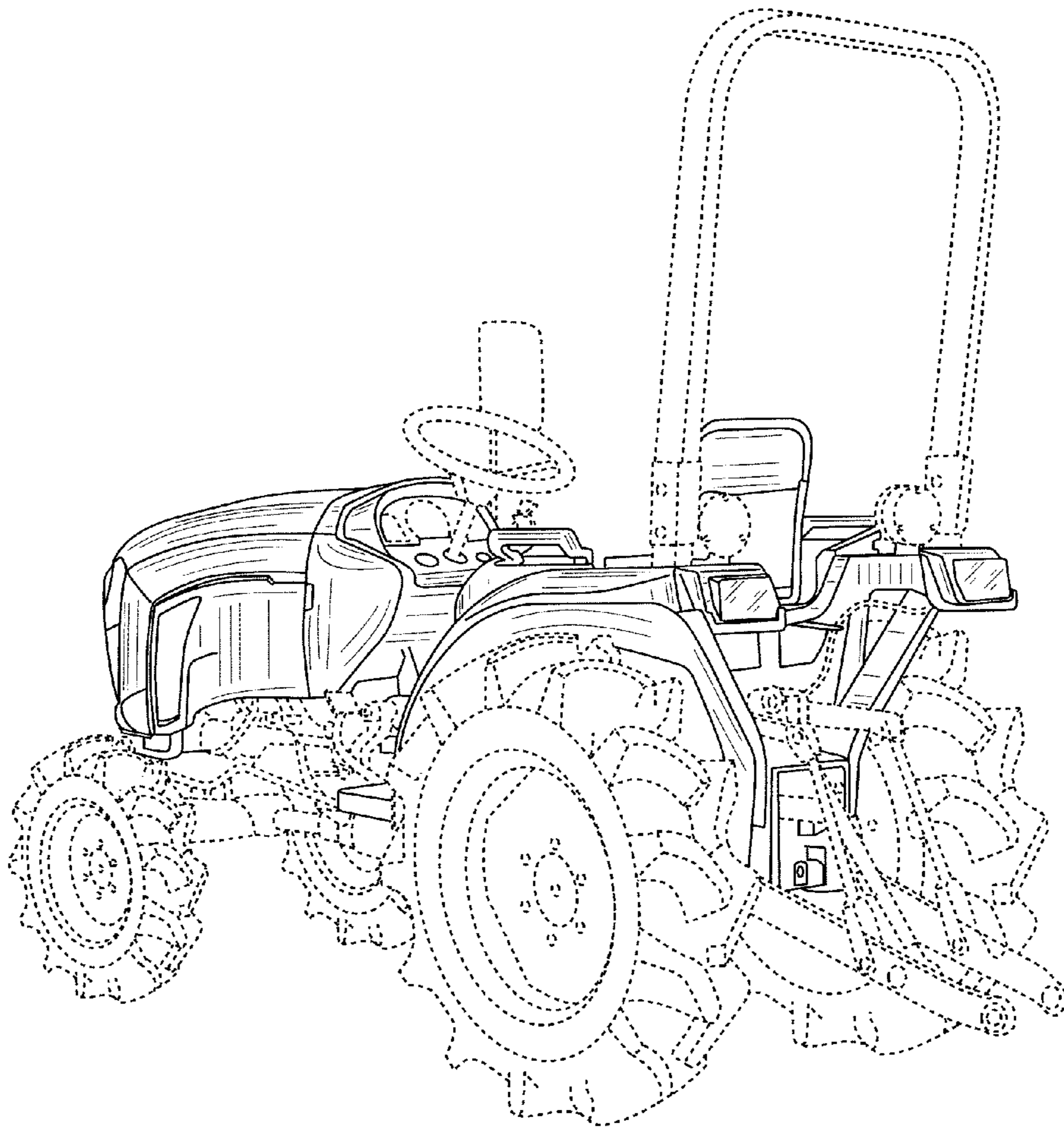


FIG. 7

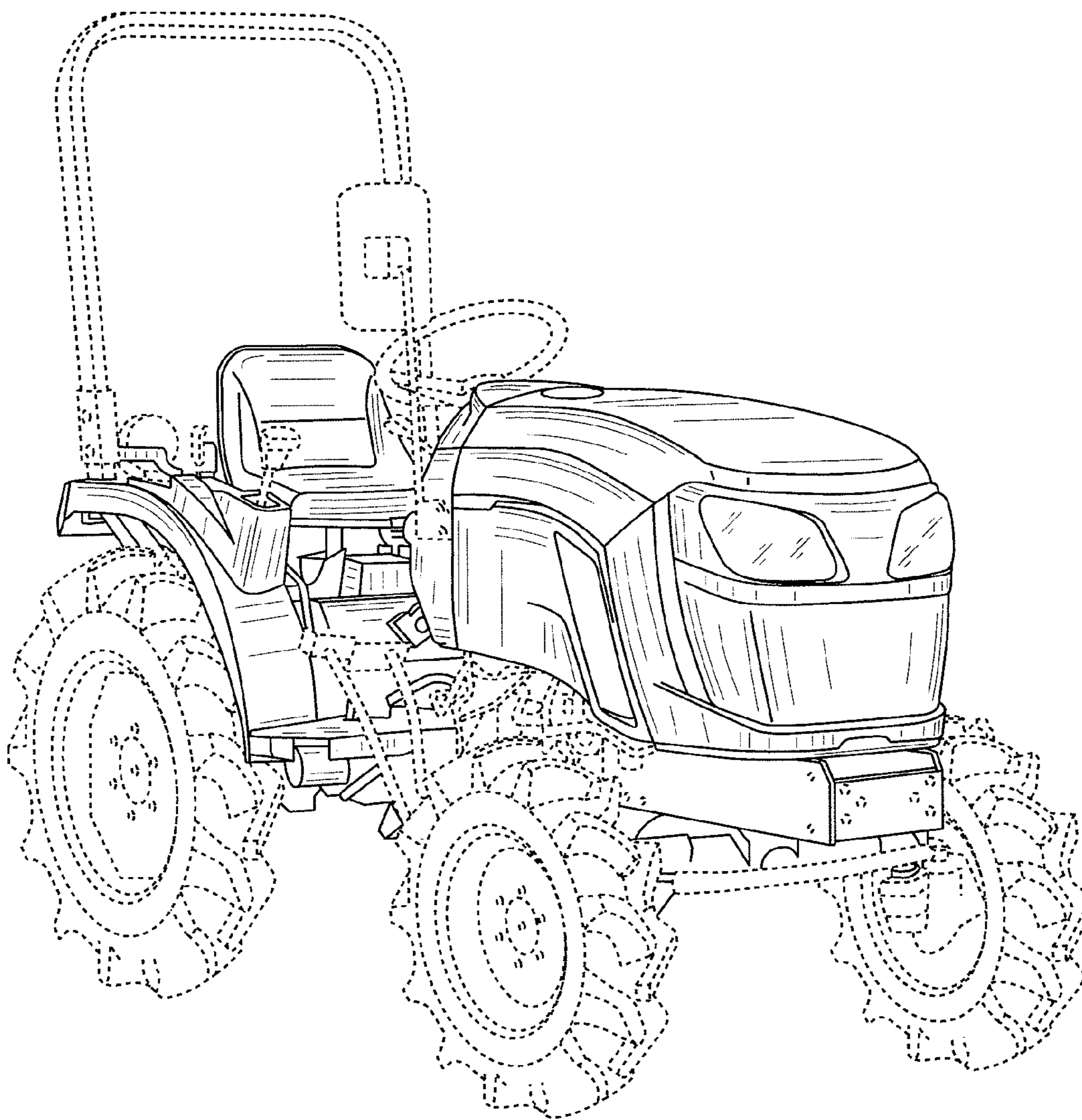


FIG. 8