



US00D678352S

(12) **United States Design Patent**  
**Maeda et al.**

(10) **Patent No.:** **US D678,352 S**  
(45) **Date of Patent:** **\*\* Mar. 19, 2013**

(54) **COVER FOR A LAWN MOWER**

(75) Inventors: **Joji Maeda**, Saitama (JP); **Masahiro Anzai**, Saitama (JP)

(73) Assignee: **Honda Motor Co., Ltd**, Tokyo (JP)

(\*\*) Term: **14 Years**

(21) Appl. No.: **29/428,980**

(22) Filed: **Aug. 6, 2012**

(30) **Foreign Application Priority Data**

Feb. 8, 2012 (JP) ..... 2012-002618

(51) **LOC (9) Cl.** ..... **15-03**

(52) **U.S. Cl.** ..... **D15/17; D15/14**

(58) **Field of Classification Search** ..... D15/14,  
D15/17, 18; 56/11.9, 17.5, 13.4, 12.8, 16.7,  
56/202, 255, 294, 295, 320.1, 320.2; 180/900,  
180/89.1, 89.12

See application file for complete search history.

(56) **References Cited**

**U.S. PATENT DOCUMENTS**

D346,809	S	*	5/1994	Burgos et al.	.....	D15/14
D420,365	S	*	2/2000	Gunnar	.....	D15/14
D451,931	S	*	12/2001	Abramson et al.	.....	D15/14
D504,901	S	*	5/2005	Wickstrom et al.	.....	D15/14
D559,867	S	*	1/2008	Abramson	.....	D15/14
D566,136	S	*	4/2008	Green	.....	D15/14
D573,610	S	*	7/2008	Abramson	.....	D15/14
D643,048	S	*	8/2011	Pflum	.....	D15/11
D652,431	S	*	1/2012	Naslund	.....	D15/14
D656,163	S	*	3/2012	Johansson et al.	.....	D15/14

**OTHER PUBLICATIONS**

Husqvana AB's products; Automower 230ACX/260ACX, These products were discovered in May 2011; Automower 305, This product was discovered in Jul. 2011.

Gardena's product; Robotic Lawnmower R40Li, This product was discovered in Jun. 2012.

Friendly Robotics's products; Robomwer RL1000/RW400, These products were discovered in Apr. 2011.

Viking's products; MI 555 C/ MI 322 C, These products were discovered in Feb. 2012.

AL-KO's product; Mähroboter Robolinhn 3000, This product was discovered in May 2012.

Notice of Allowance and Fee(s) Due dated Oct. 22, 2012 in related U.S. Appl. No. 29/428,958 (7 pp).

Notice of Allowance and Fee(s) Due dated Dec. 26, 2012 in related U.S. Appl. No. 29/428,958 (11 pp).

\* cited by examiner

*Primary Examiner* — Mark Goodwin

(74) *Attorney, Agent, or Firm* — Westerman, Hattori, Daniels & Adrian, LLP

(57) **CLAIM**

What is claimed is; the ornamental design for, a cover for a lawn mower, as shown and described.

**DESCRIPTION**

FIG. 1 is a first perspective view of a cover for a lawn mower, showing our new design;

FIG. 2 is a second perspective view thereof;

FIG. 3 is a third perspective view thereof;

FIG. 4 is a front elevation view thereof;

FIG. 5 is a rear elevation view thereof;

FIG. 6 is a top plan view thereof;

FIG. 7 is a bottom plan view thereof;

FIG. 8 is a right side elevation view thereof; and,

FIG. 9 is a left side elevation view thereof.

The broken lines are for illustrative purposes only and form no part of the claimed design.

**1 Claim, 8 Drawing Sheets**

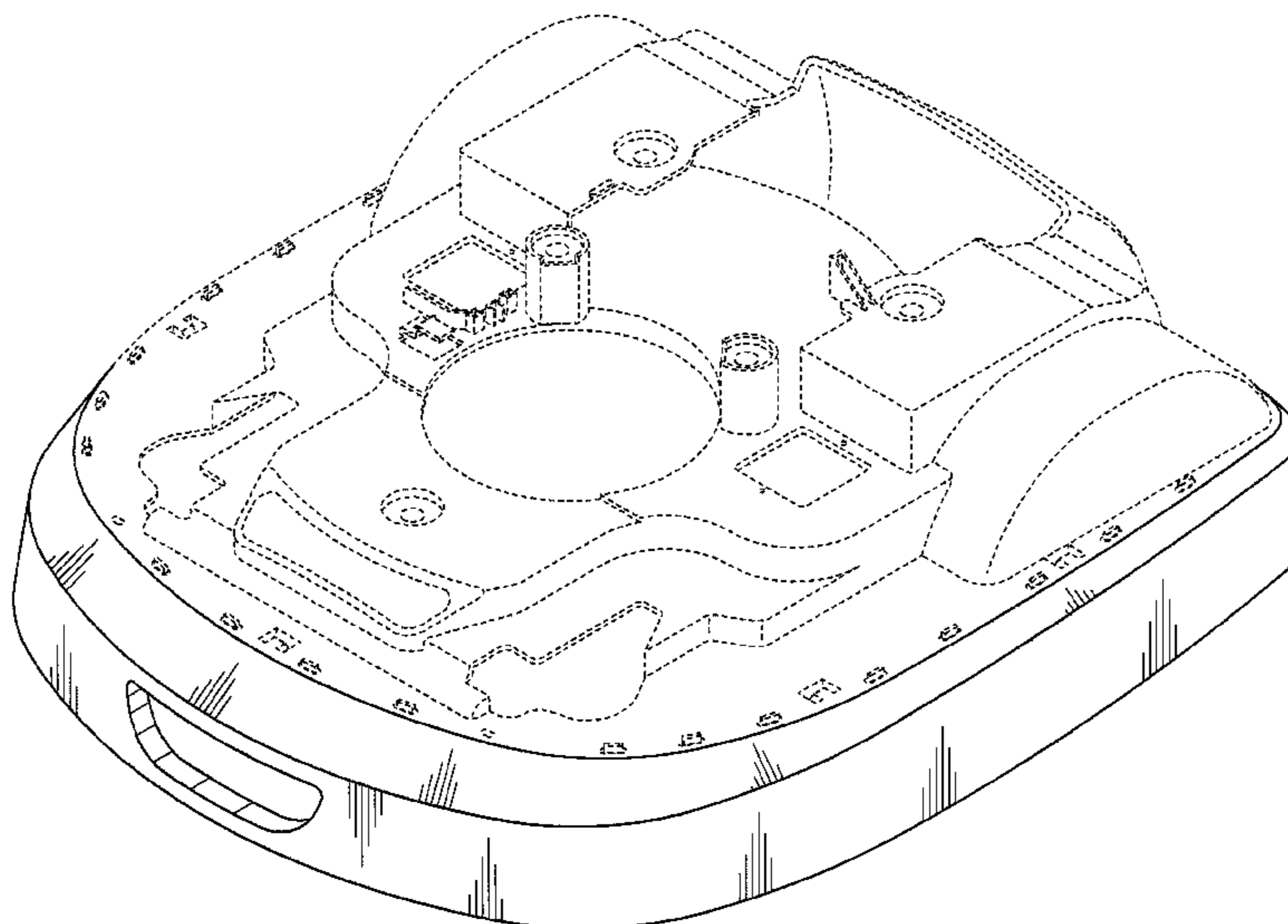


Fig.1

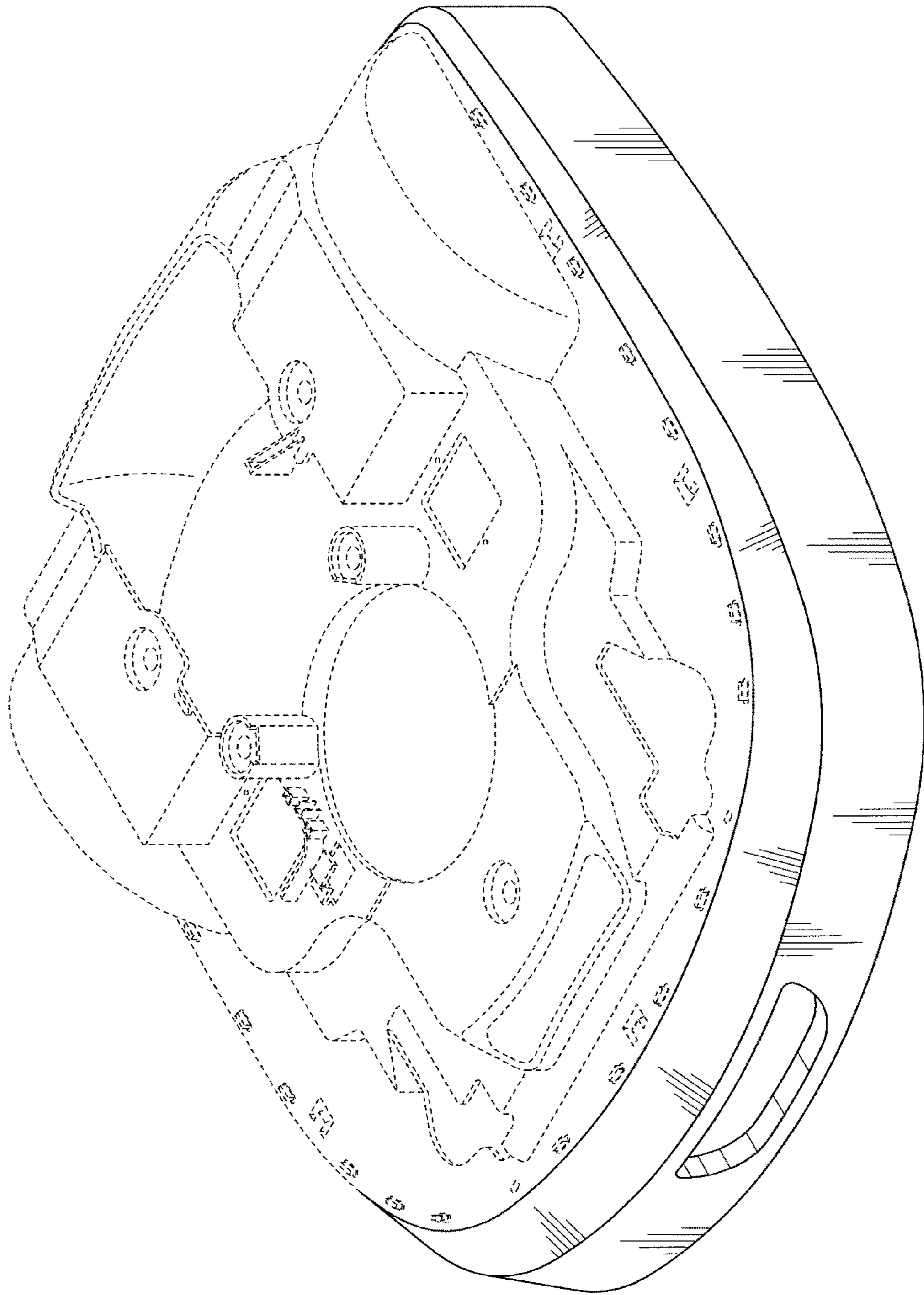


Fig. 2

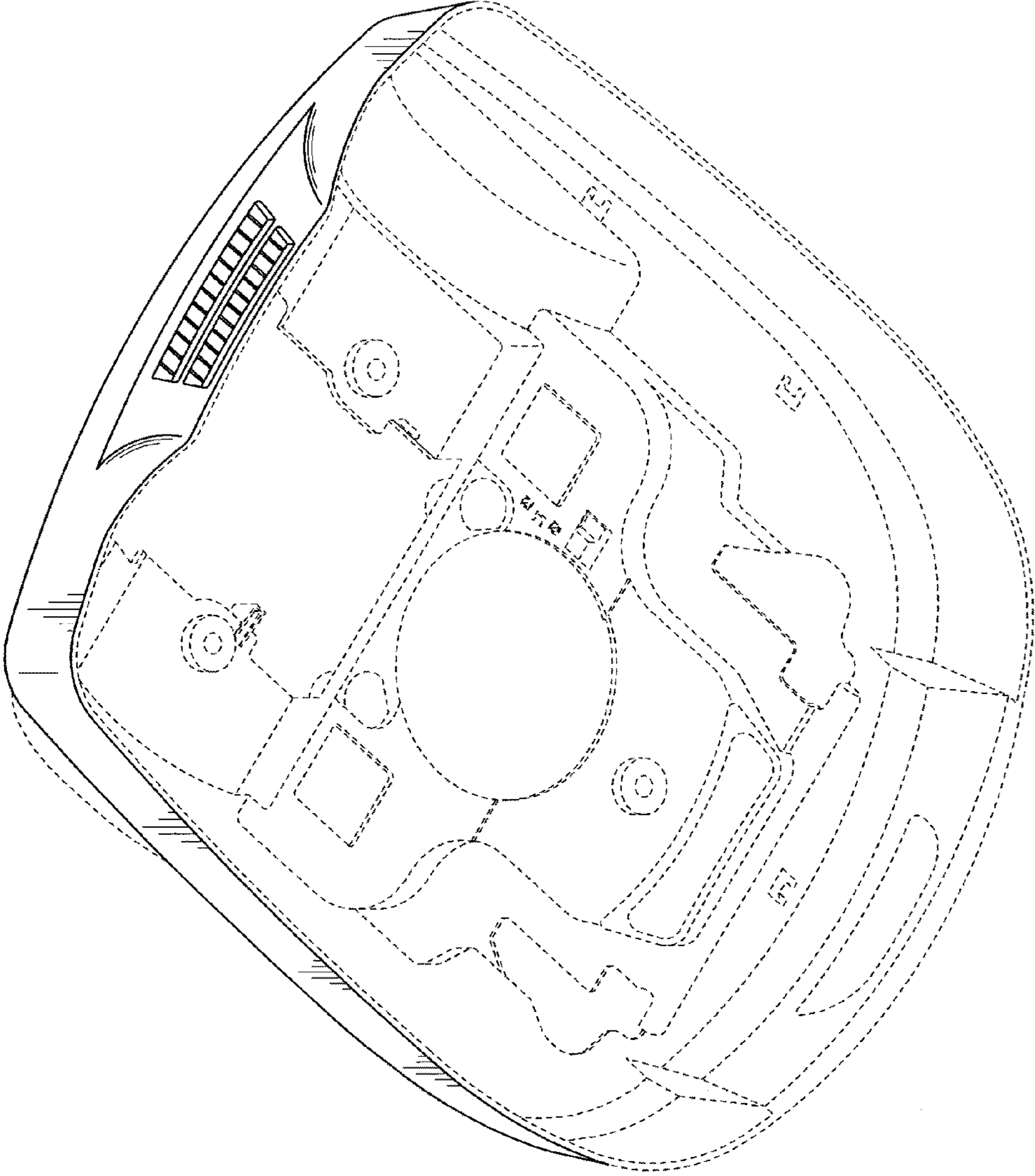




Fig.3

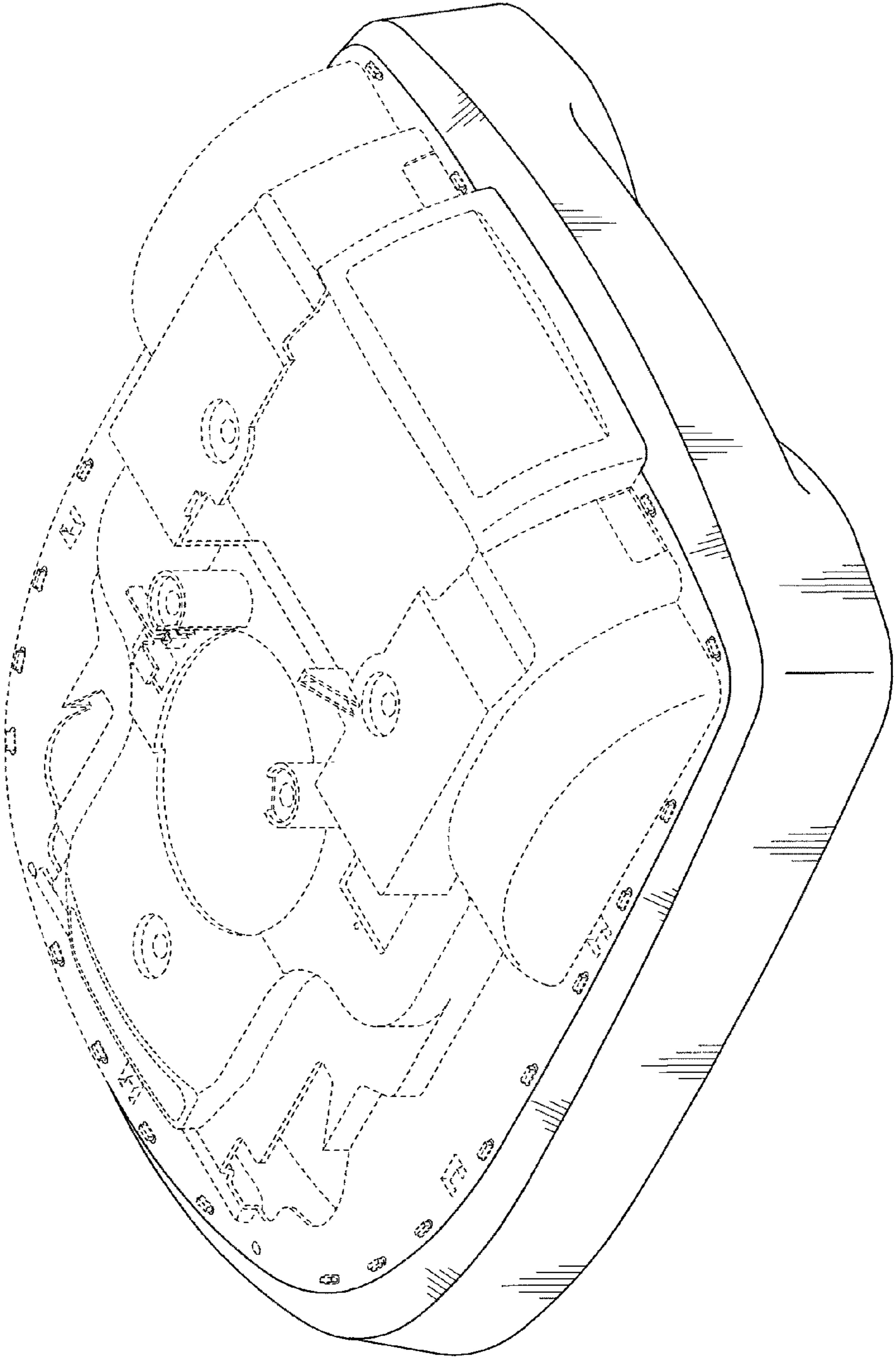


Fig.4

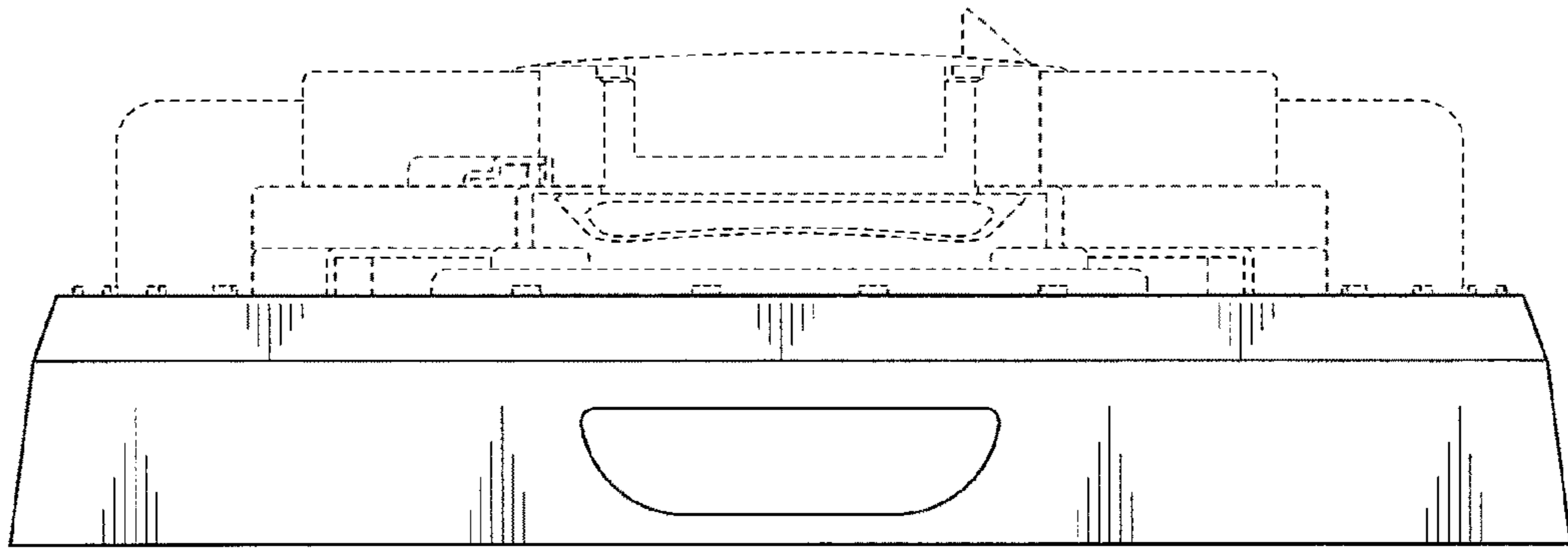


Fig.5

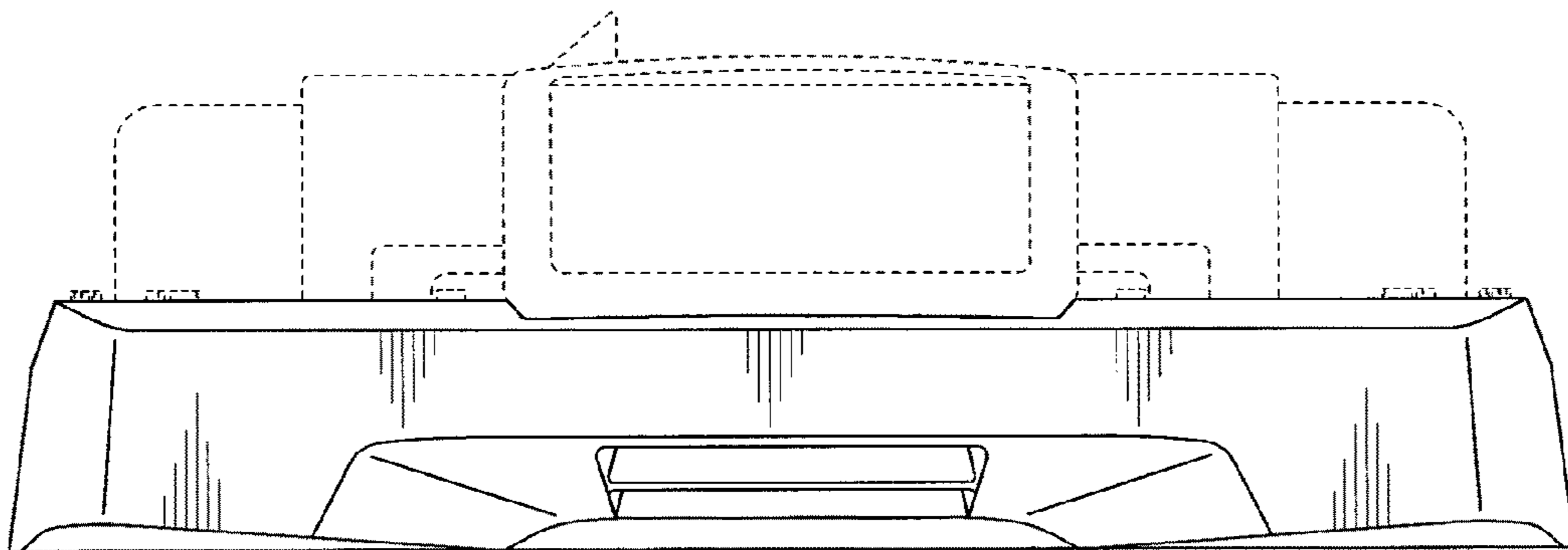


Fig.6

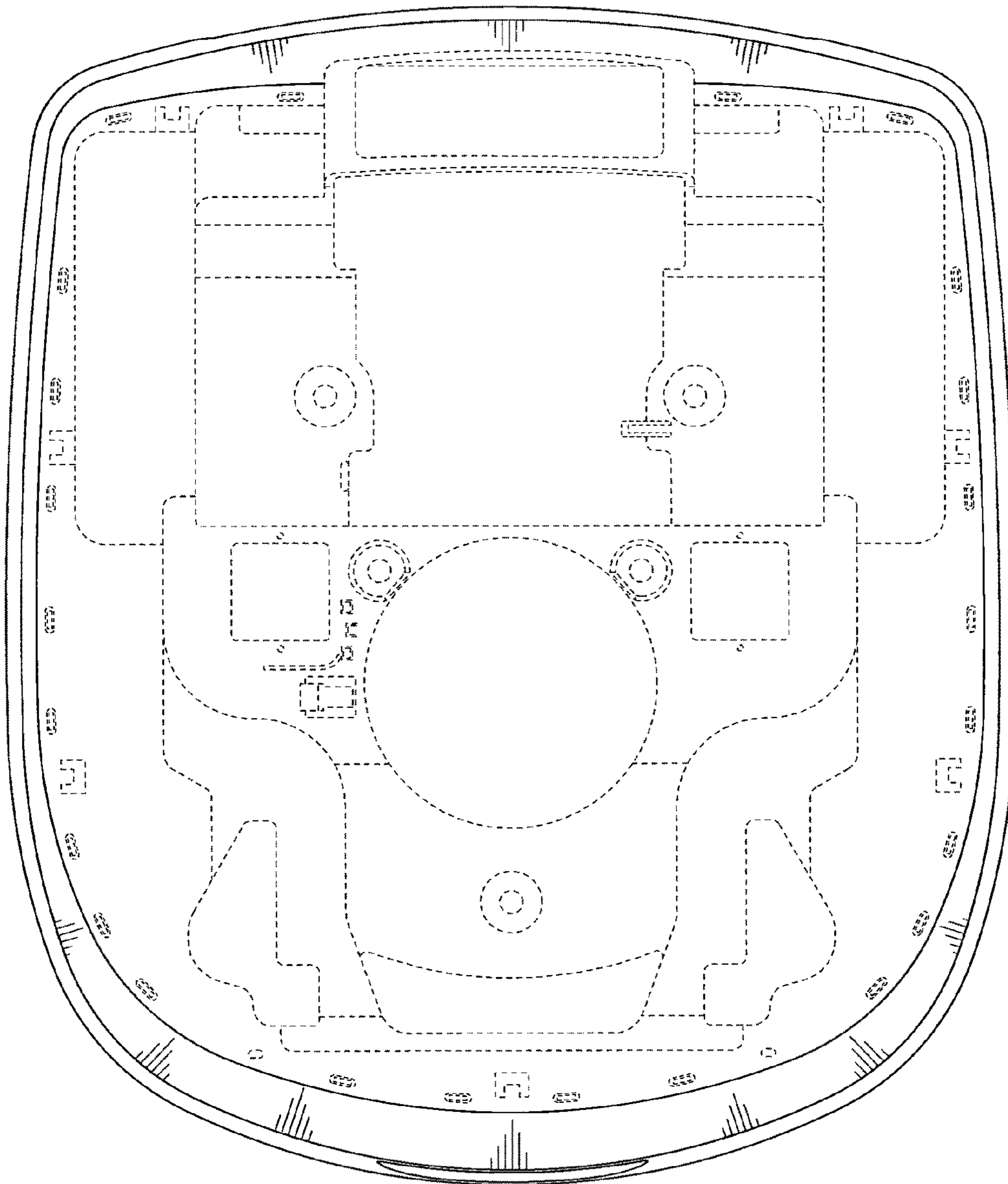


Fig. 7

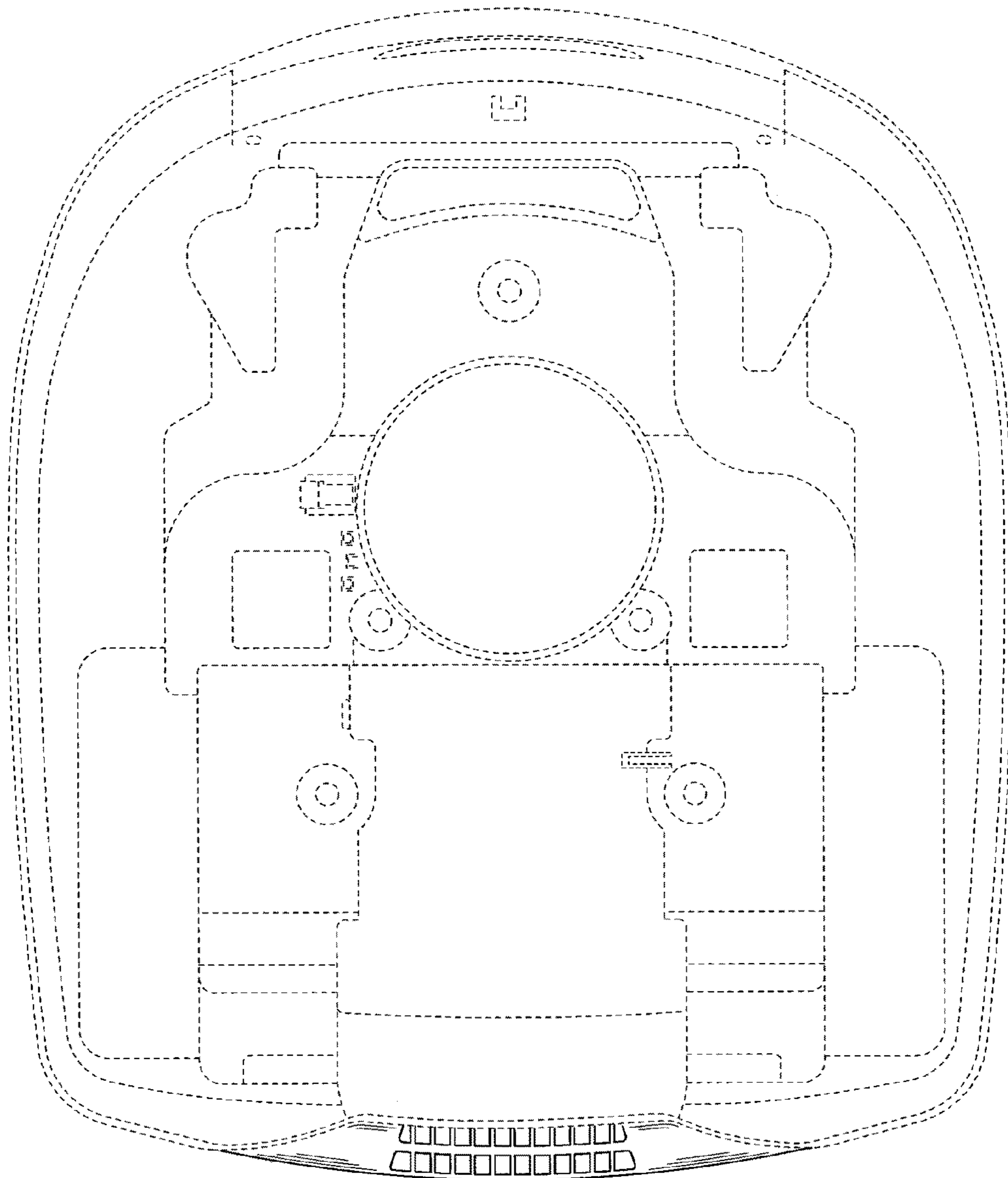


Fig. 8

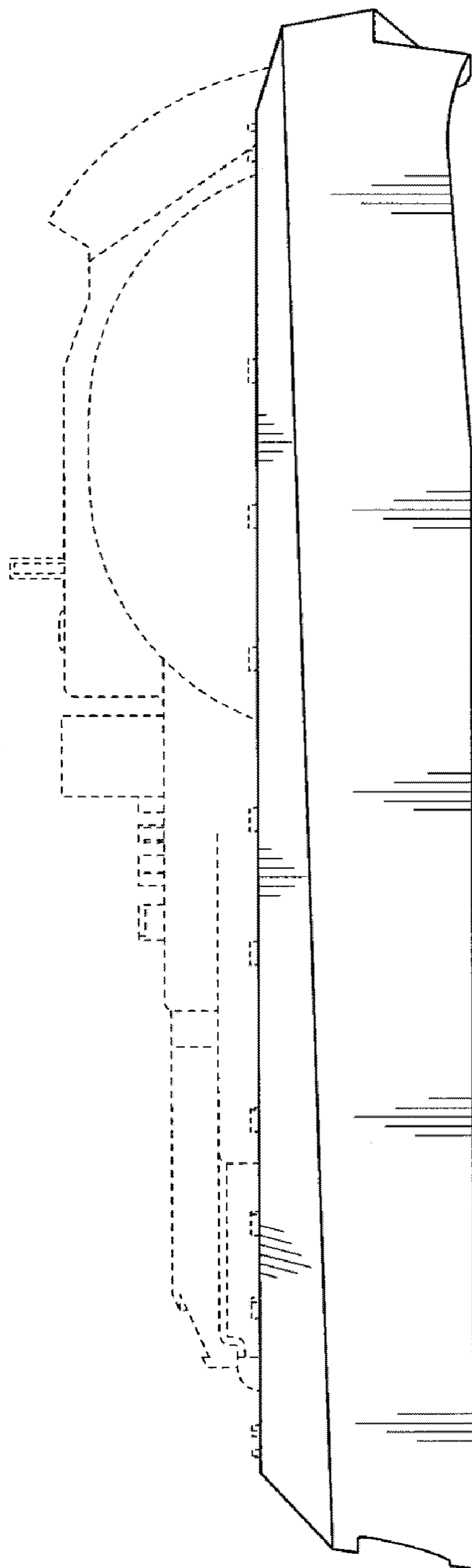




Fig. 9

