



US00D678351S

(12) **United States Design Patent**  
**Wong**

(10) **Patent No.:** **US D678,351 S**  
(45) **Date of Patent:** **\*\* Mar. 19, 2013**

(54) **AIR COMPRESSOR**  
(71) Applicant: **He Chao Electrical Appliances**  
**(Shanghai) Co., Ltd.**, Shanghai (CN)  
(72) Inventor: **Wai Kan Wong**, Hong Kong (HK)  
(73) Assignee: **He Chao Electrical Appliances**  
**(Shanghai) Co., Ltd.**, Shanghai (CN)  
(\*\*) Term: **14 Years**  
(21) Appl. No.: **29/432,837**  
(22) Filed: **Sep. 21, 2012**

D627,796 S 11/2010 Eckhardt  
D629,424 S 12/2010 Eckhardt  
D644,252 S 8/2011 Kojima  
D657,801 S \* 4/2012 Eckhardt ..... D15/9  
D659,717 S \* 5/2012 Mattson et al. .... D15/7  
D672,368 S \* 12/2012 Wong ..... D15/9

\* cited by examiner

*Primary Examiner* — Ralf Seifert  
(74) *Attorney, Agent, or Firm* — Brown & Michaels, PC

(57) **CLAIM**  
The ornamental design for an air compressor, as shown and described.

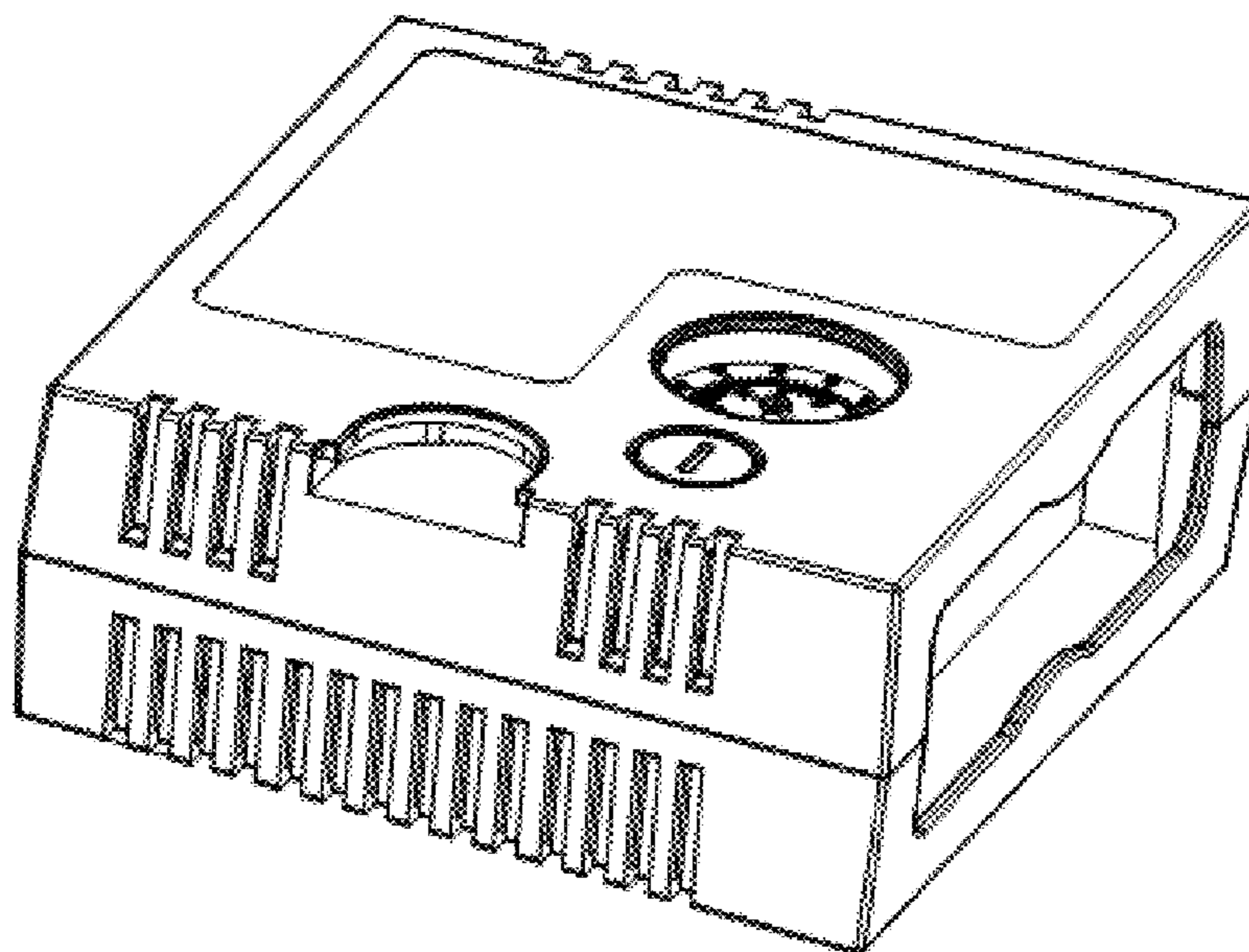
**DESCRIPTION**

(30) **Foreign Application Priority Data**  
May 11, 2012 (CN) ..... 2012 3 0165818  
(51) **LOC (9) Cl.** ..... **15-02**  
(52) **U.S. Cl.** ..... **D15/9**  
(58) **Field of Classification Search** ..... D15/7-9;  
D23/231, 232, 225; 417/60, 235, 265, 321,  
417/355, 358, 363, 359, 410.1, 415-416,  
417/405, 900; 60/408, 412; 184/26-37;  
415/140-147; 123/495, 509  
See application file for complete search history.

FIG. 1 is a front view of the air compressor of the present invention.  
FIG. 2 is a back view of the air compressor of the present invention.  
FIG. 3 is a top view of the air compressor of the present invention.  
FIG. 4 is a bottom view of the air compressor of the present invention.  
FIG. 5 is a left side view of the air compressor of the present invention.  
FIG. 6 is a right side view of the air compressor of the present invention.  
FIG. 7 is a first perspective view of the air compressor of the present invention.  
FIG. 8 is a second perspective view of the air compressor of the present invention.  
FIG. 9 is a third perspective view of the air compressor of the present invention; and,  
FIG. 10 is a fourth perspective view of the air compressor of the present invention.

(56) **References Cited**  
U.S. PATENT DOCUMENTS  
D471,209 S \* 3/2003 Wang ..... D15/9  
D498,243 S 11/2004 Chou  
D498,767 S 11/2004 Chou  
D499,426 S 12/2004 Chou  
D507,581 S 7/2005 Wong  
D626,571 S 11/2010 Eckhardt  
D627,795 S 11/2010 Eckhardt

**1 Claim, 6 Drawing Sheets**



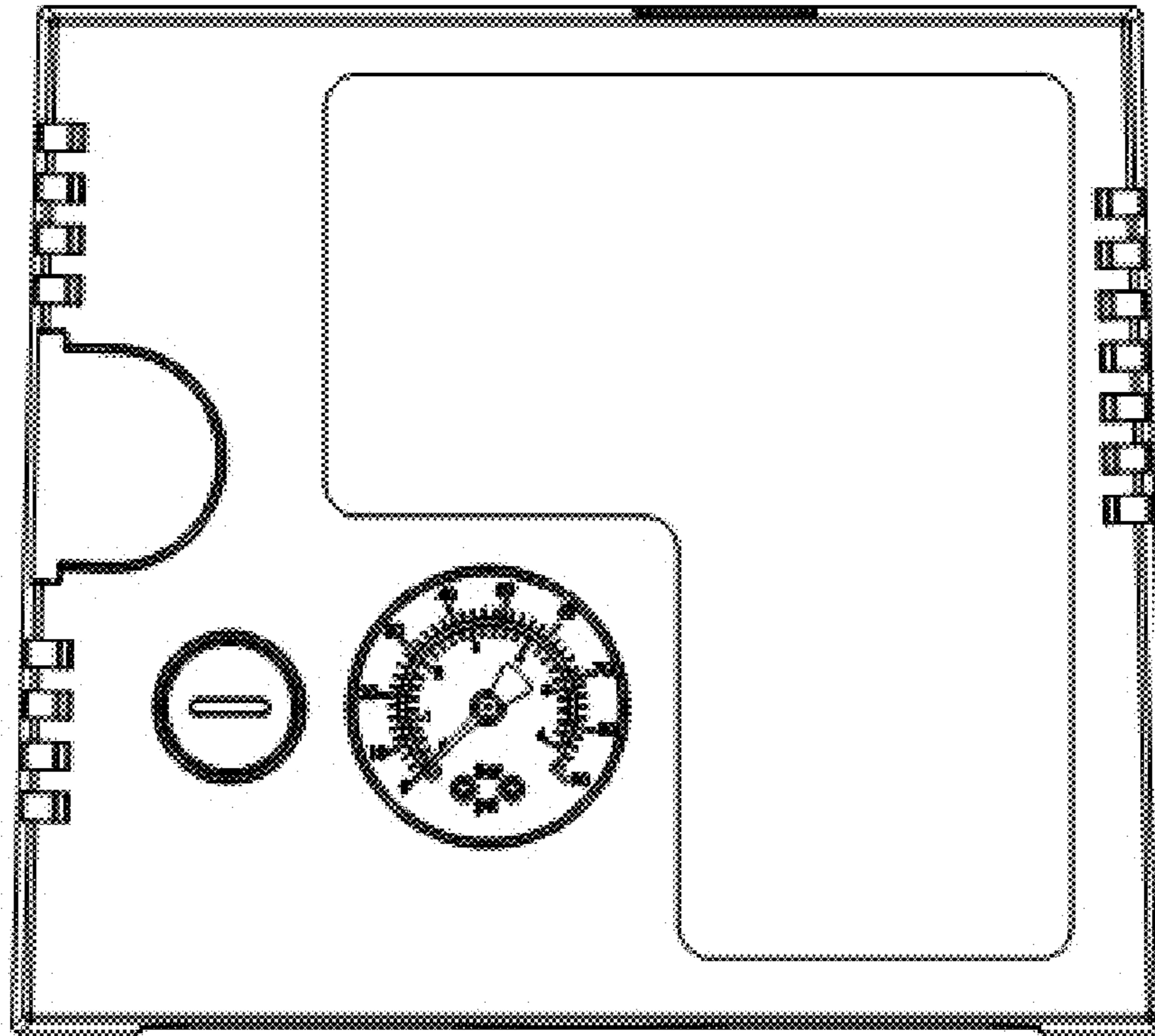


Figure 1

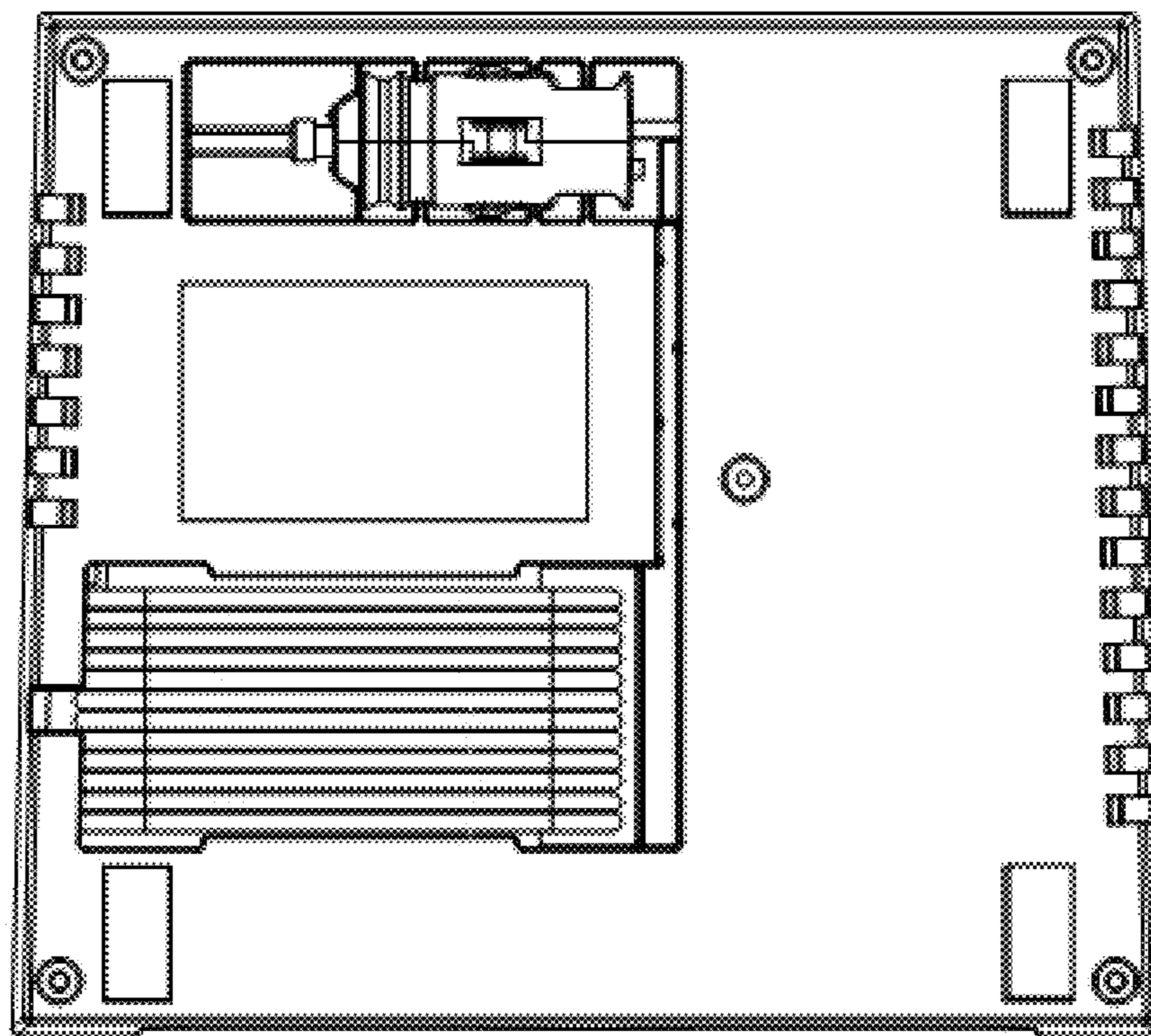


Figure 2

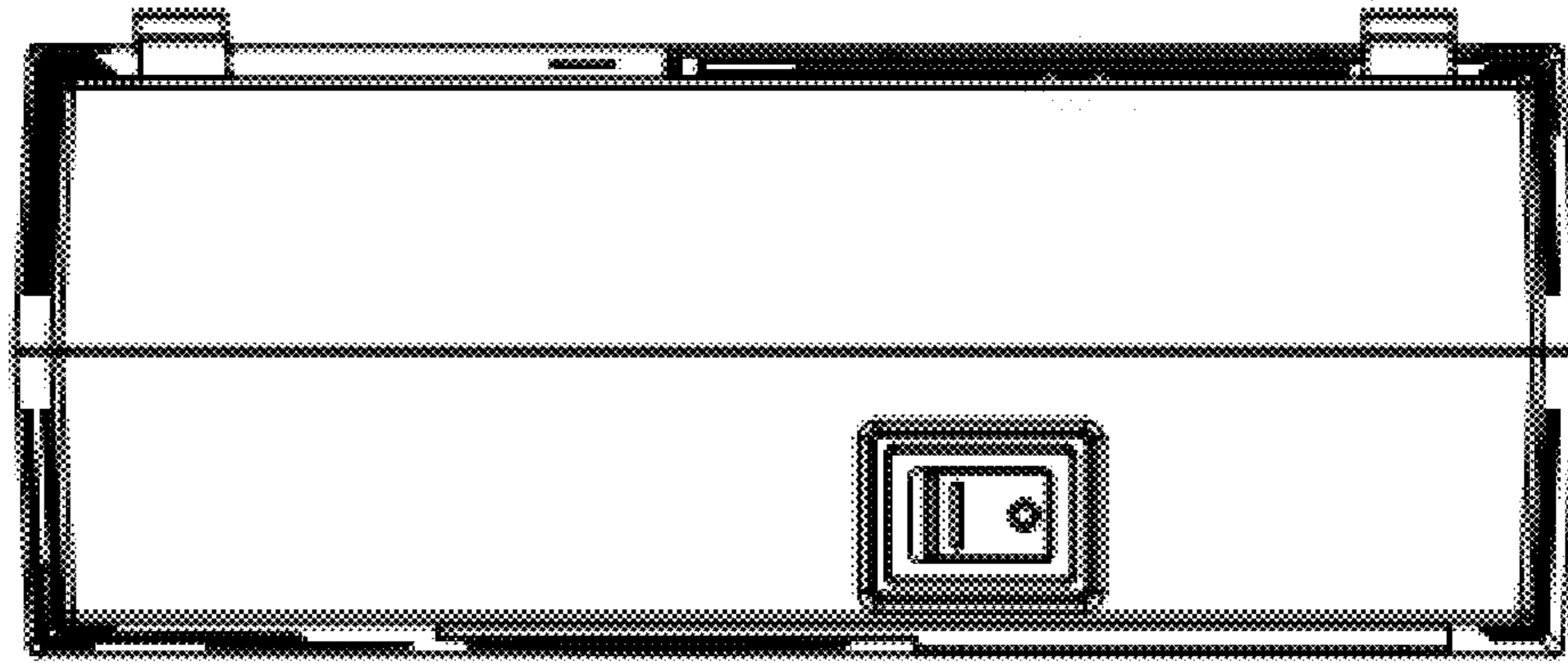


Figure 3

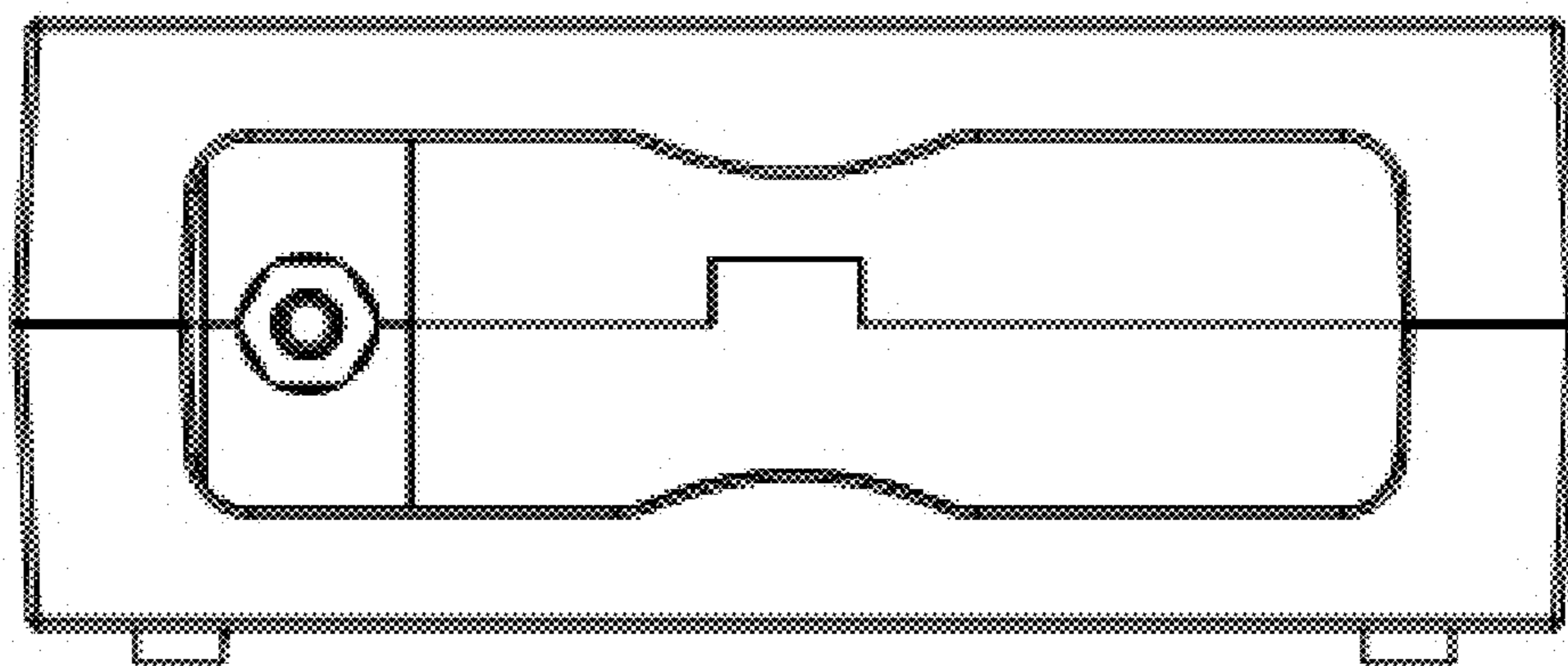


Figure 4



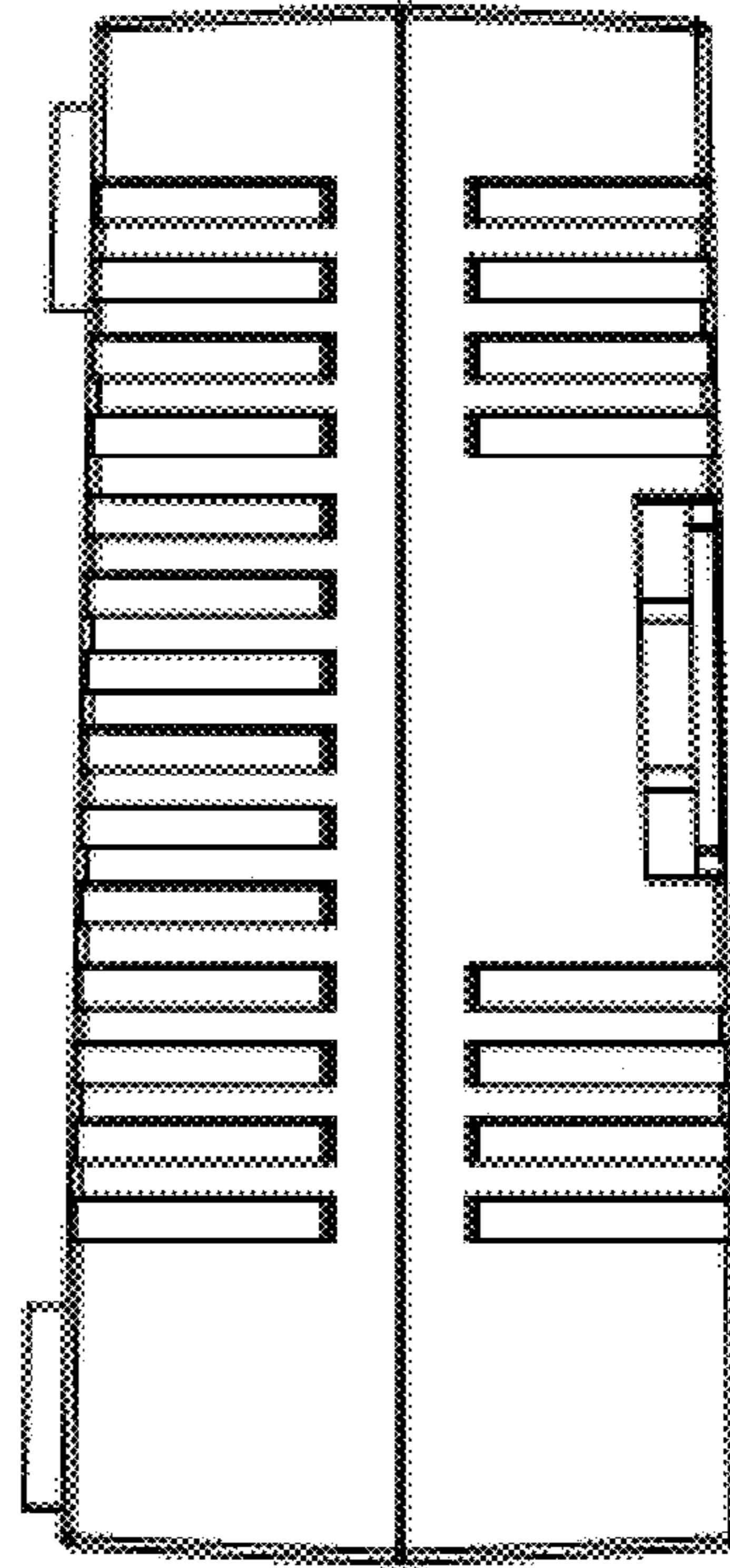


Figure 5

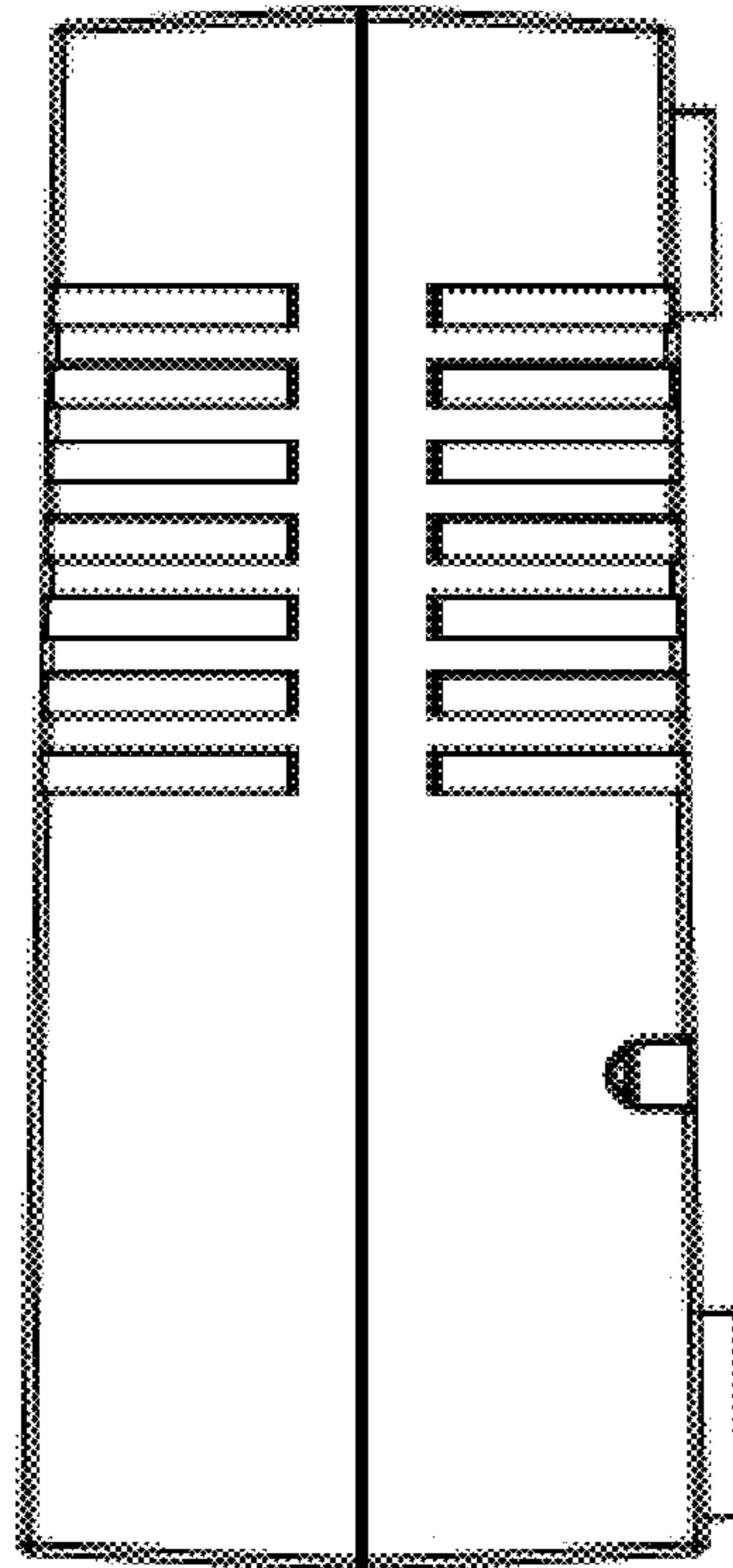


Figure 6

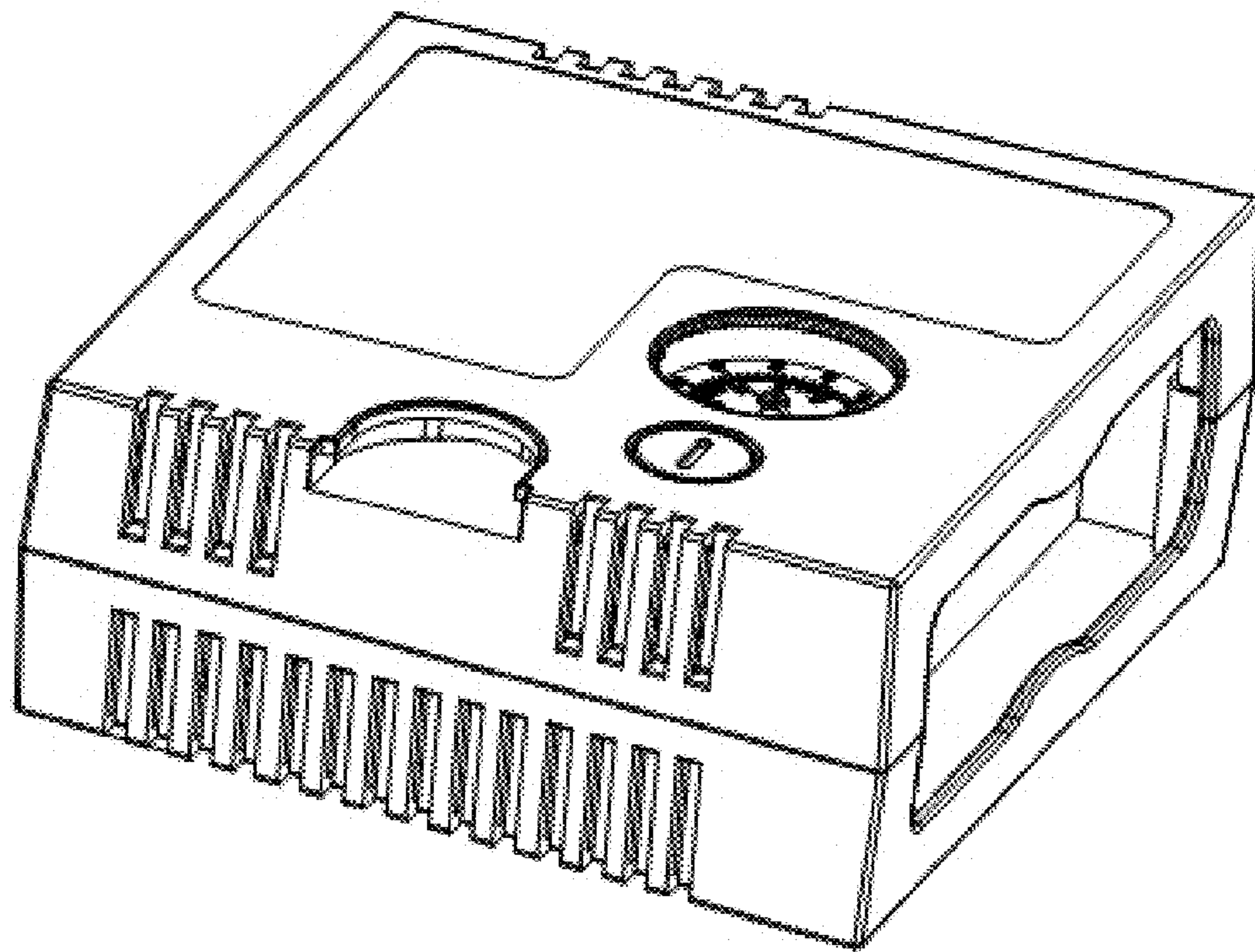


Figure 7

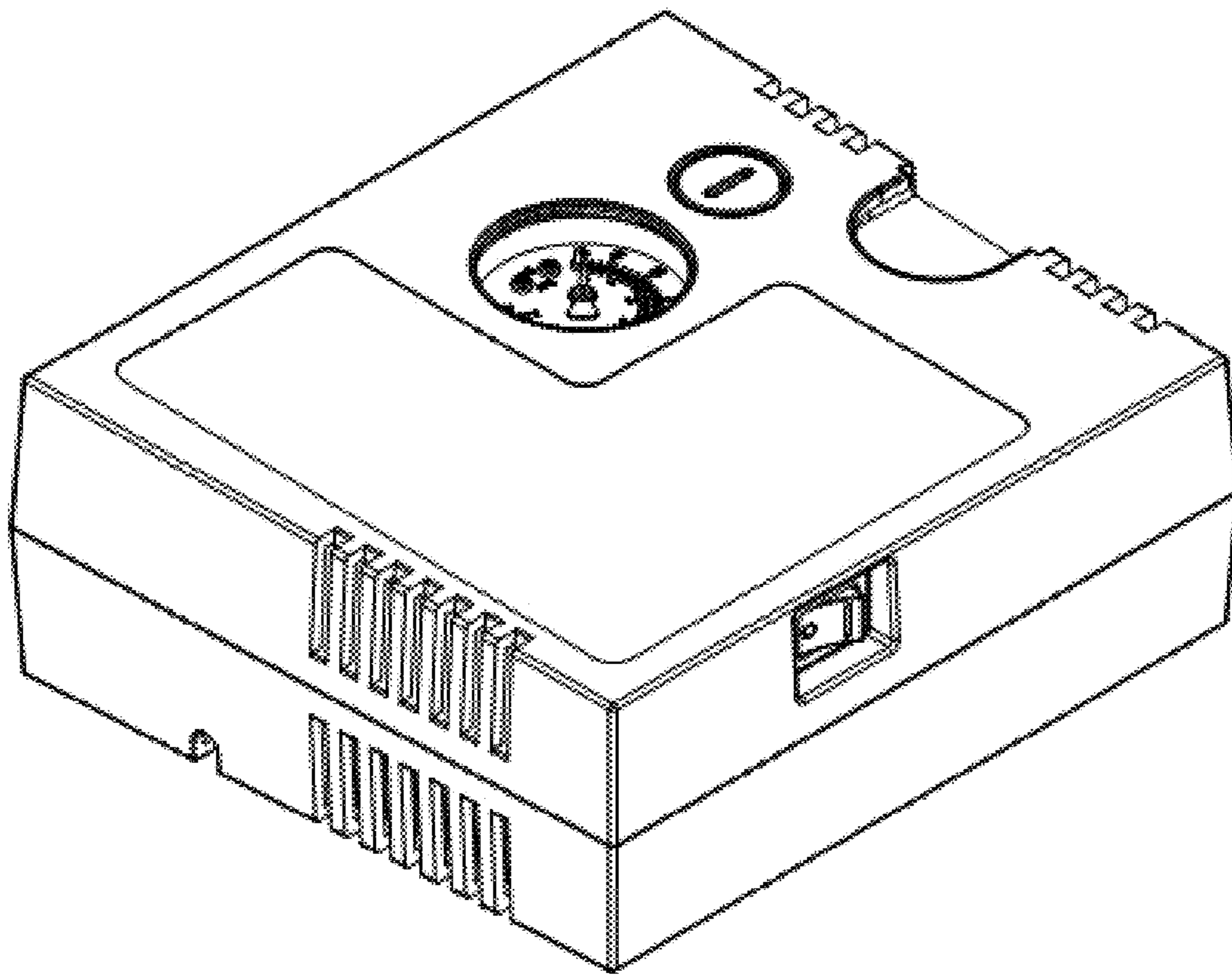


Figure 8



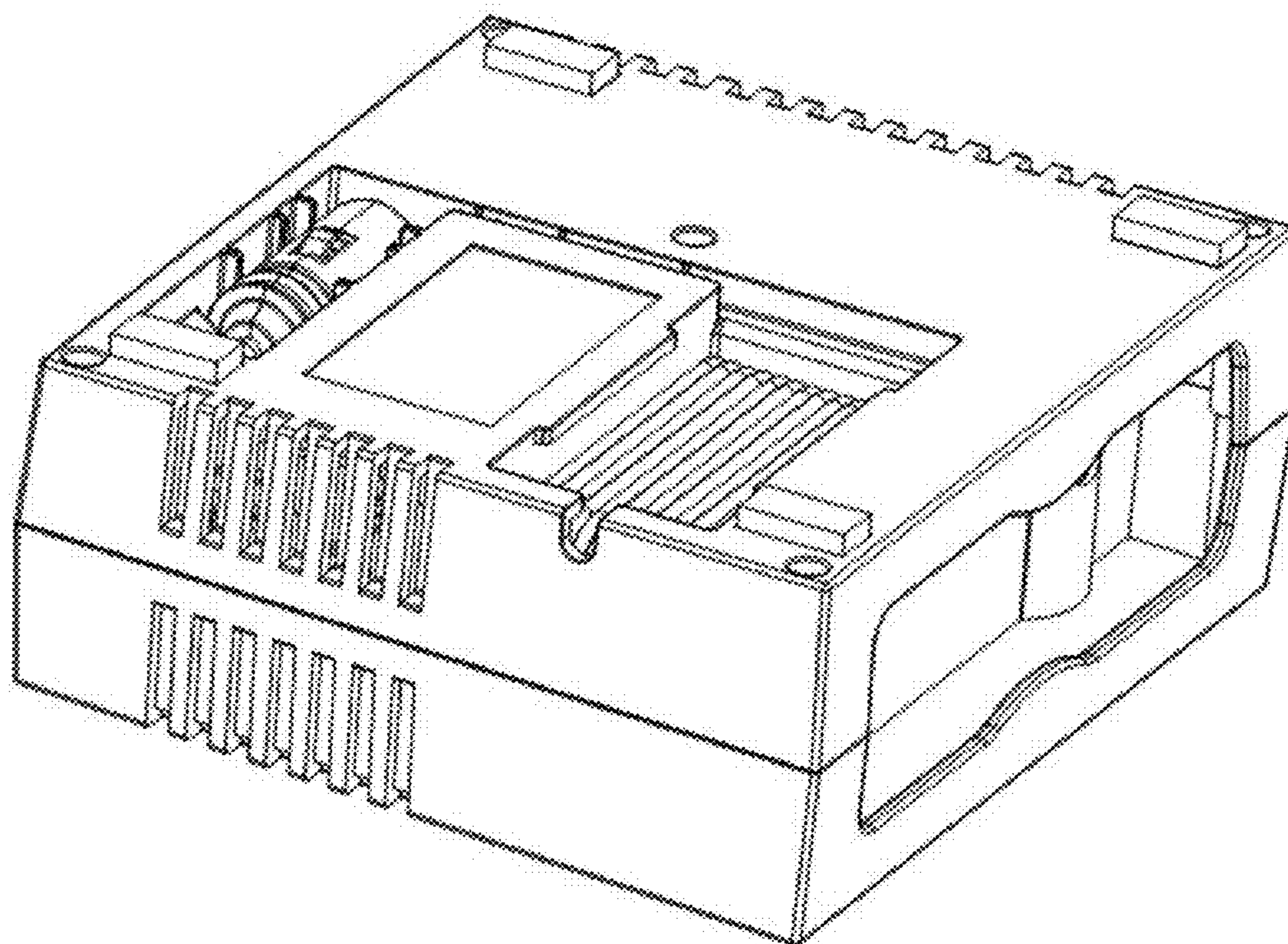


Figure 9

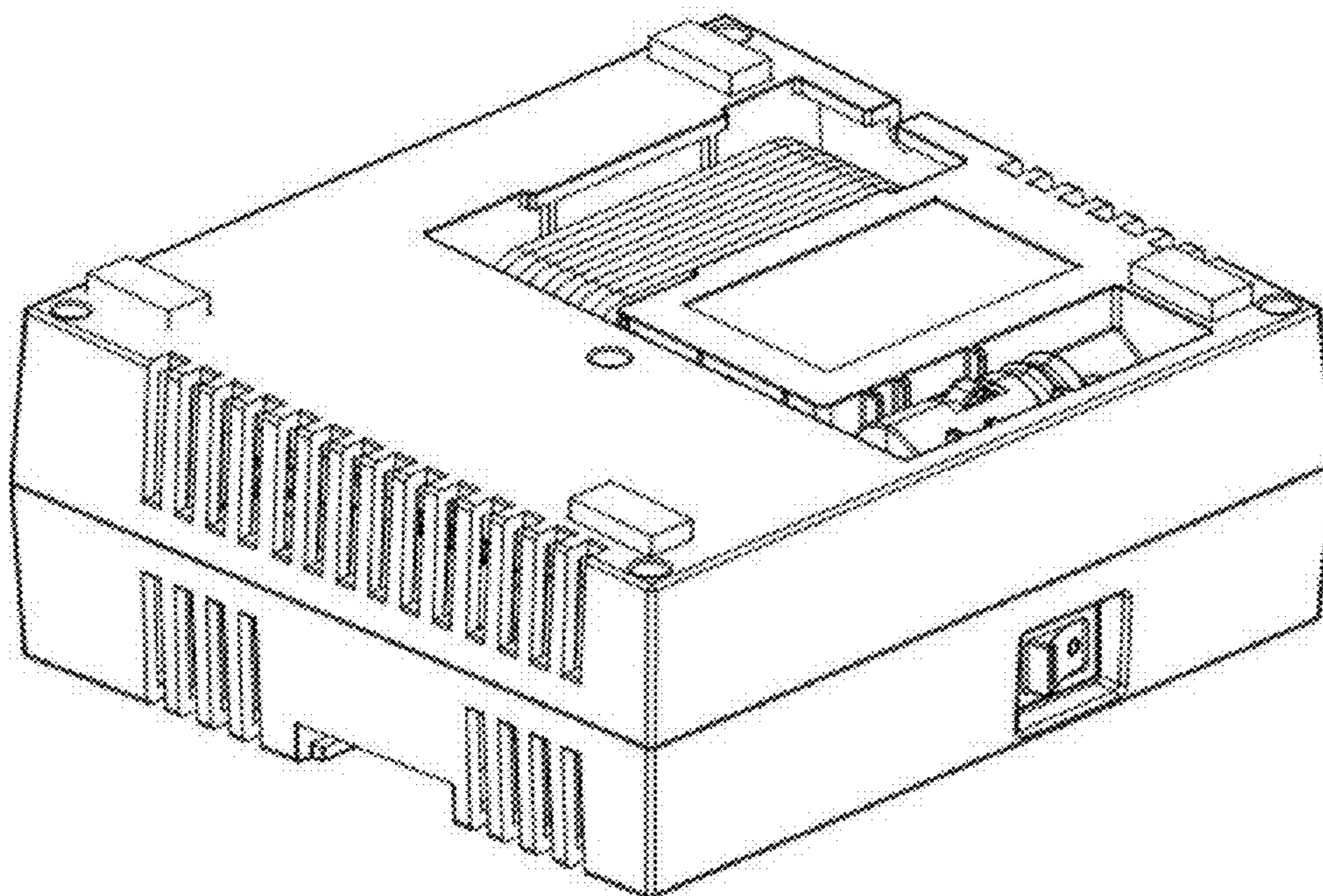


Figure 10