



US00D678350S

(12) **United States Design Patent**
Chu

(10) **Patent No.:** **US D678,350 S**
(45) **Date of Patent:** **** Mar. 19, 2013**

(54) **HOUSING FOR AIR COMPRESSOR**
(71) Applicant: **Henry C. Chu**, Orange, CA (US)
(72) Inventor: **Henry C. Chu**, Orange, CA (US)
(**) Term: **14 Years**
(21) Appl. No.: **29/432,615**

D603,874 S *	11/2009	Chu	D15/9
D603,875 S *	11/2009	Chu	D15/9
D617,349 S *	6/2010	Chu	D15/9
D647,925 S *	11/2011	Chu	D15/9
D648,749 S *	11/2011	Chu	D15/9
D648,751 S *	11/2011	Chu	D15/9
D648,752 S *	11/2011	Chu	D15/9
D648,753 S *	11/2011	Chu	D15/9
D656,963 S *	4/2012	Nam	D15/7
D666,218 S *	8/2012	Chu	D15/9
D666,219 S *	8/2012	Chu	D15/9

(22) Filed: **Sep. 18, 2012**
(51) **LOC (9) Cl.** **15-02**
(52) **U.S. Cl.** **D15/9**
(58) **Field of Classification Search** D15/7-9;
D23/231, 232, 225; 417/60, 235, 265, 321,
417/355, 358, 363, 359, 410.1, 415-416,
417/405, 900; 60/408, 412; 184/26-37;
415/140-147; 123/495, 509
See application file for complete search history.

* cited by examiner

Primary Examiner — Ralf Seifert
(74) *Attorney, Agent, or Firm* — Charles E. Baxley

(57) **CLAIM**
The ornamental design for a housing for air compressor, as shown and described.

DESCRIPTION

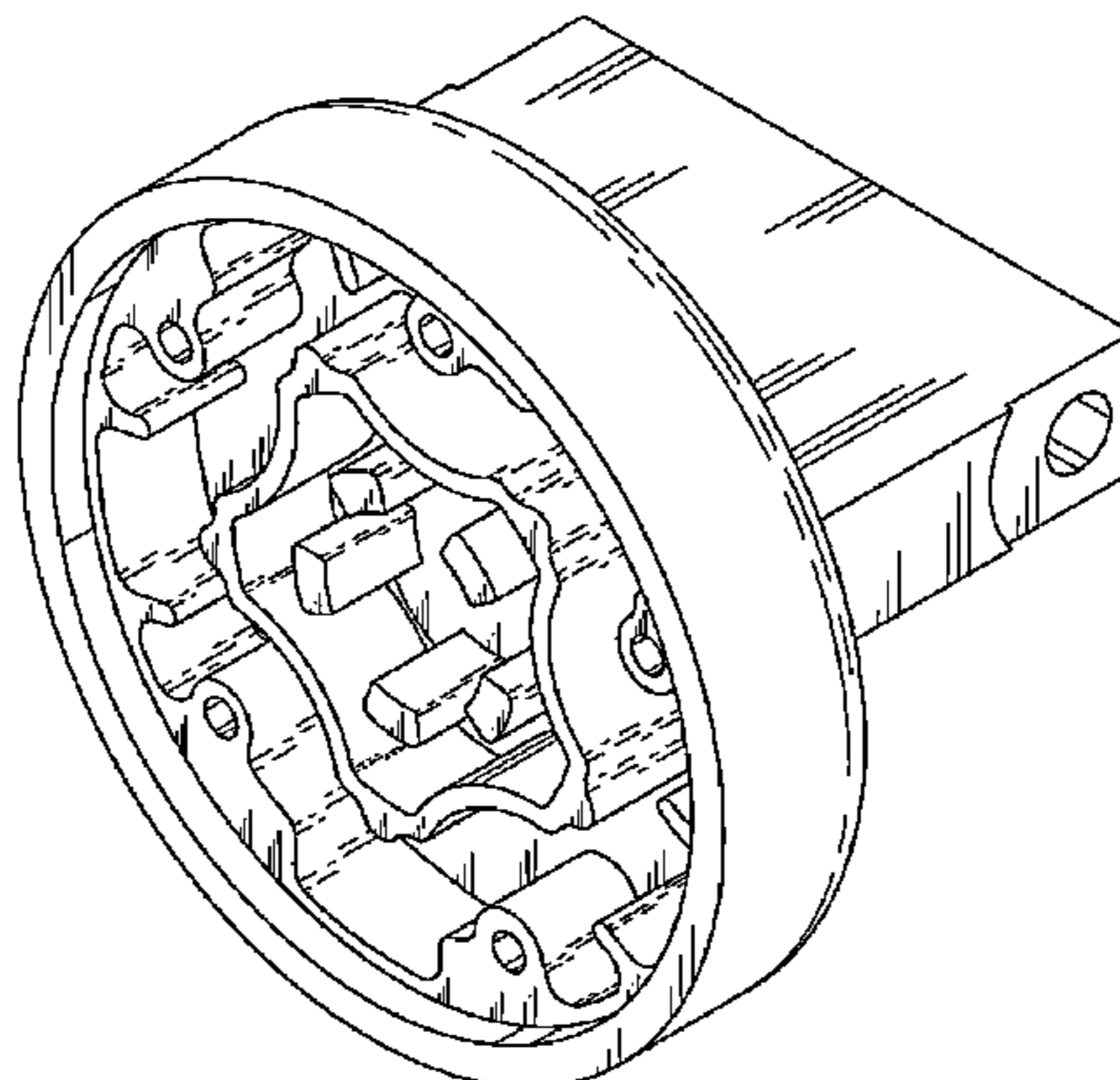
(56) **References Cited**

U.S. PATENT DOCUMENTS

D507,280 S *	7/2005	Chu et al.	D15/9
D529,050 S *	9/2006	Chu	D15/9
D529,927 S *	10/2006	Chu	D15/9
D529,928 S *	10/2006	Chu	D15/9
D529,930 S *	10/2006	Chu	D15/9
D533,881 S *	12/2006	Chu	D15/9
D554,666 S *	11/2007	Chu	D15/9
D554,667 S *	11/2007	Chu	D15/9
D555,174 S *	11/2007	Hwang	D15/9
D555,670 S *	11/2007	Hwang	D15/9
D556,783 S *	12/2007	Chu	D15/9
D557,287 S *	12/2007	Chu	D15/9
D574,854 S *	8/2008	Chu	D15/9
D574,855 S *	8/2008	Chu	D15/9
D575,306 S *	8/2008	Chu	D15/9
D575,307 S *	8/2008	Chu	D15/9
D575,802 S *	8/2008	Chu	D15/9
D589,064 S *	3/2009	Chu	D15/9
D589,534 S *	3/2009	Chu	D15/9
D603,873 S *	11/2009	Chu	D15/9

FIG. 1 is a front and upper perspective view of a housing for air compressor showing my new design;
FIG. 2 is a front elevational view thereof;
FIG. 3 is a rear elevational view thereof;
FIG. 4 is a top plan view thereof;
FIG. 5 is a bottom plan view thereof;
FIG. 6 is a left side elevational view thereof;
FIG. 7 is a right side elevational view thereof;
FIG. 8 is a rear perspective view thereof;
FIG. 9 is a front and bottom perspective view thereof;
FIG. 10 is a front and upper perspective view thereof, the ribs and protrusions depicted by means of broken lines being for illustrative purposes only and forming no part of the claimed design; and,
FIG. 11 is a rear perspective view thereof, the openings and the ribs or protrusions depicted by means of broken lines being for illustrative purposes only and forming no part of the claimed design.

1 Claim, 6 Drawing Sheets



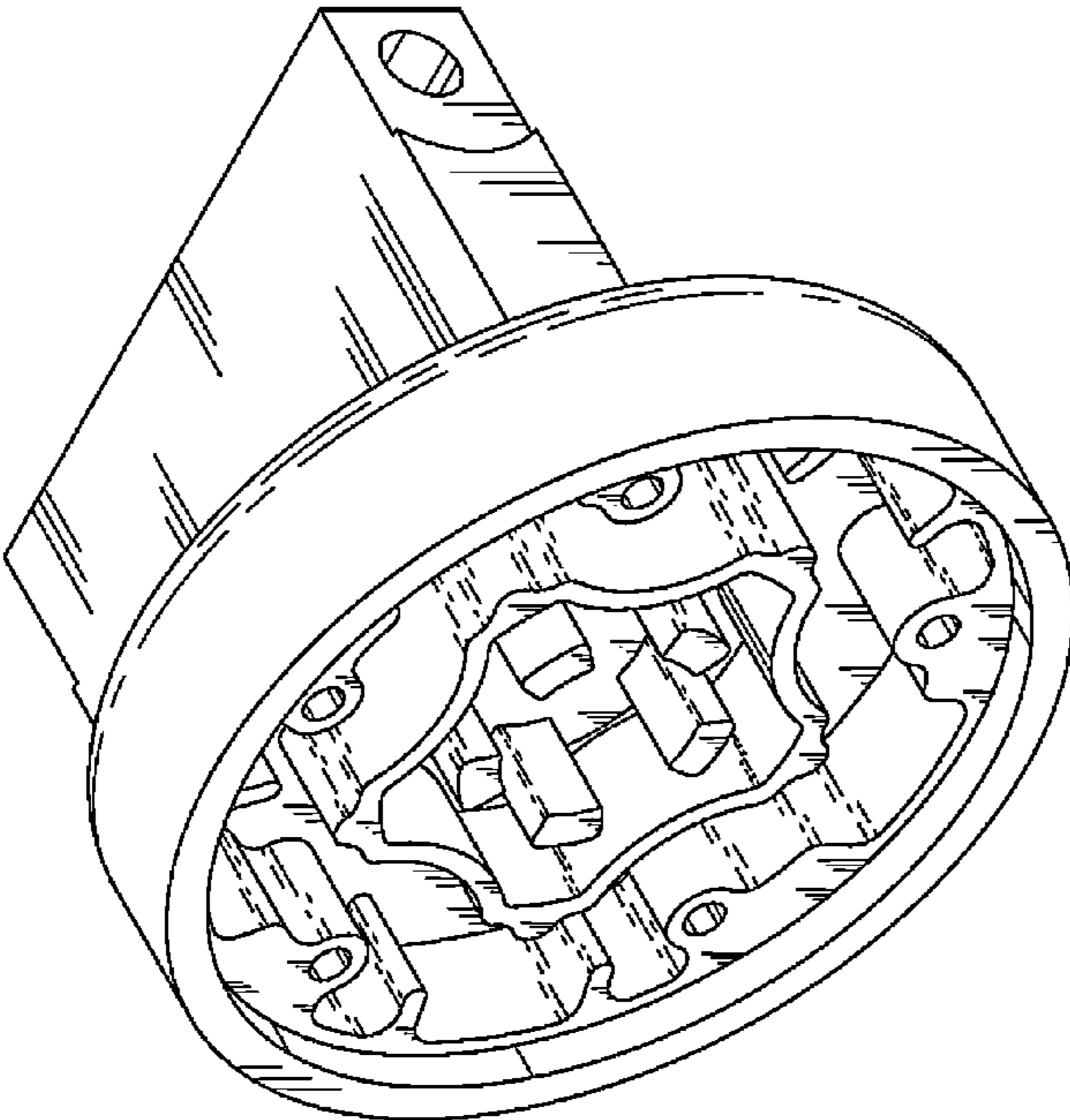


FIG. 1

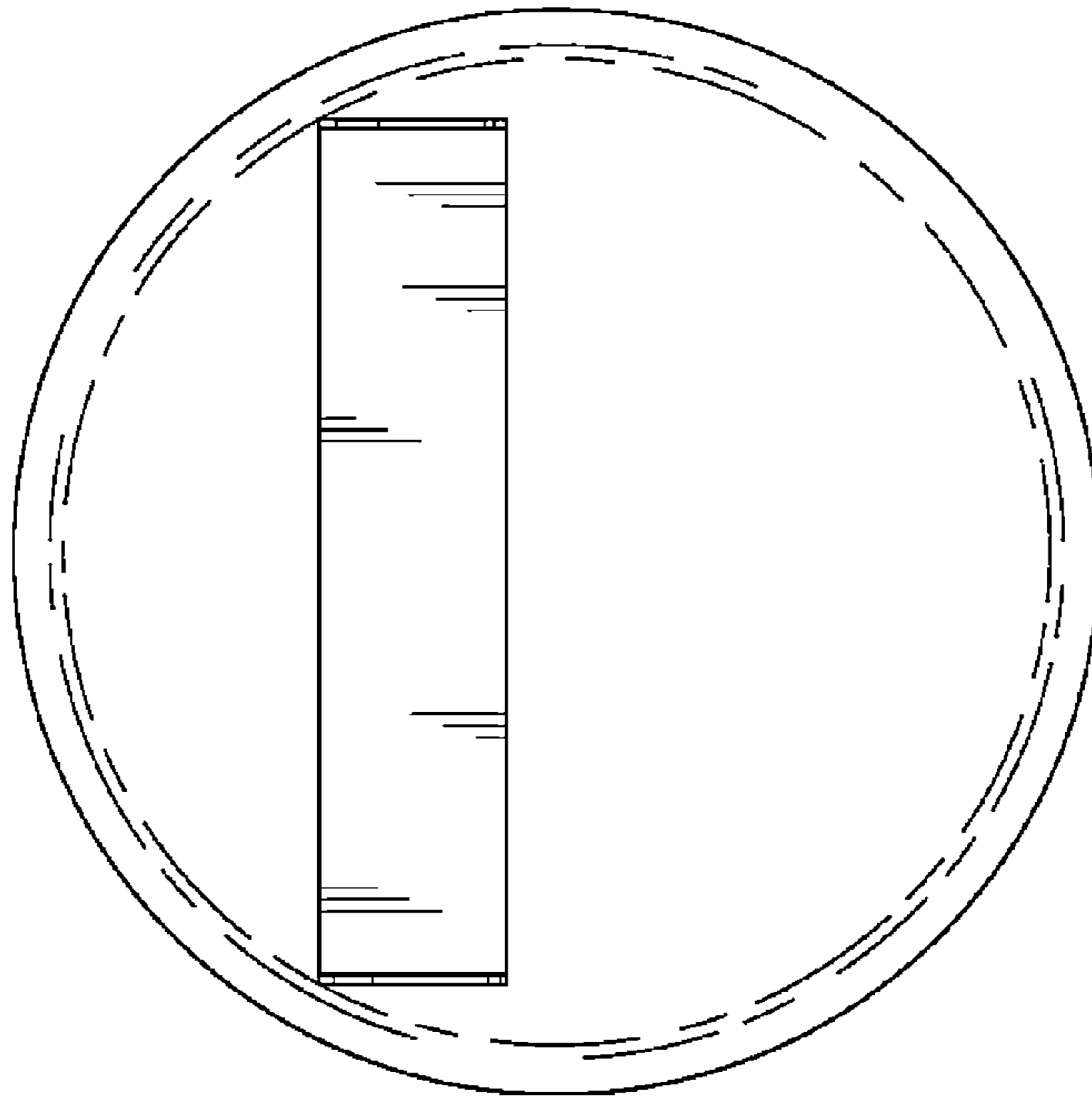


FIG. 2

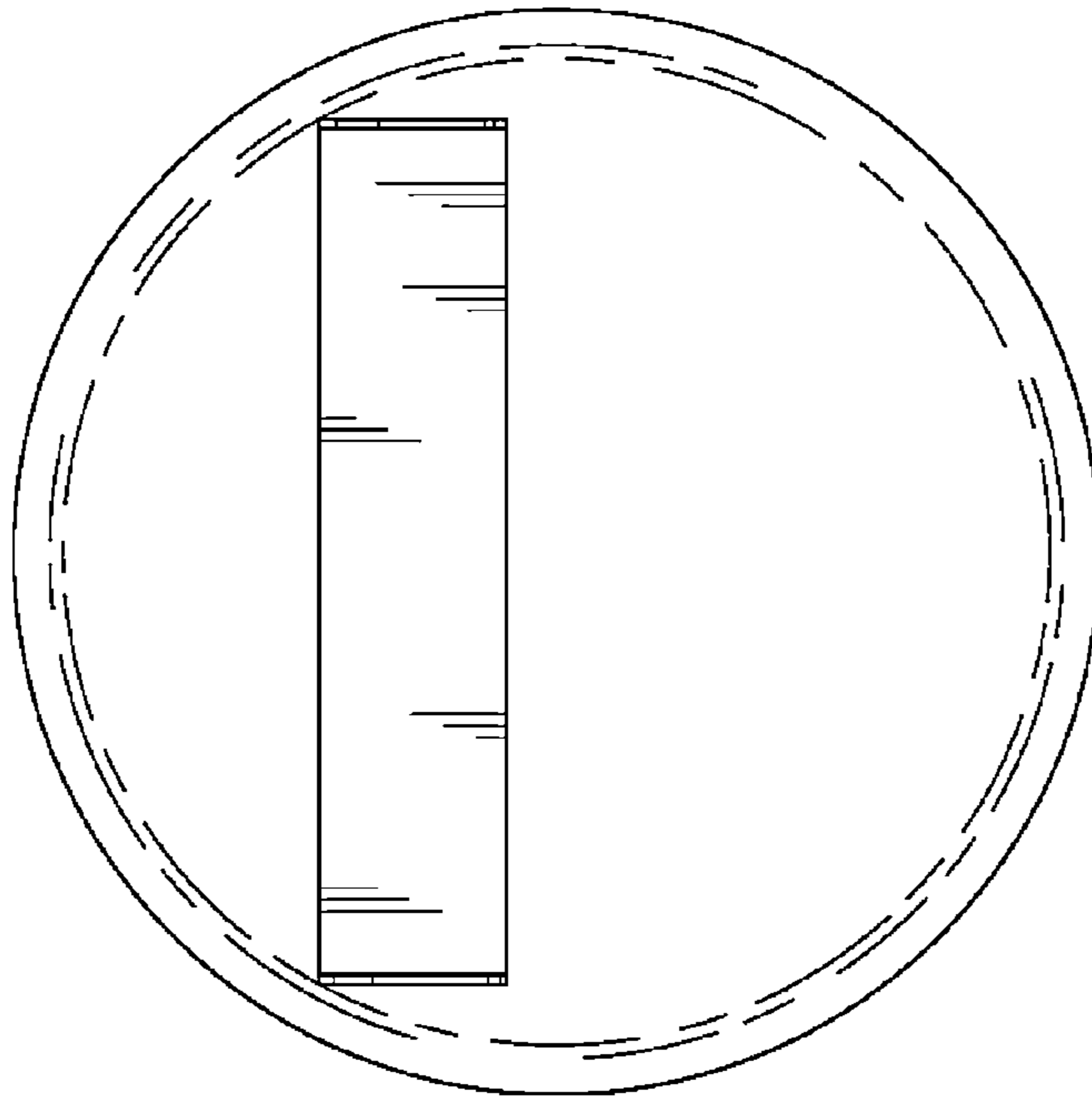


FIG. 3

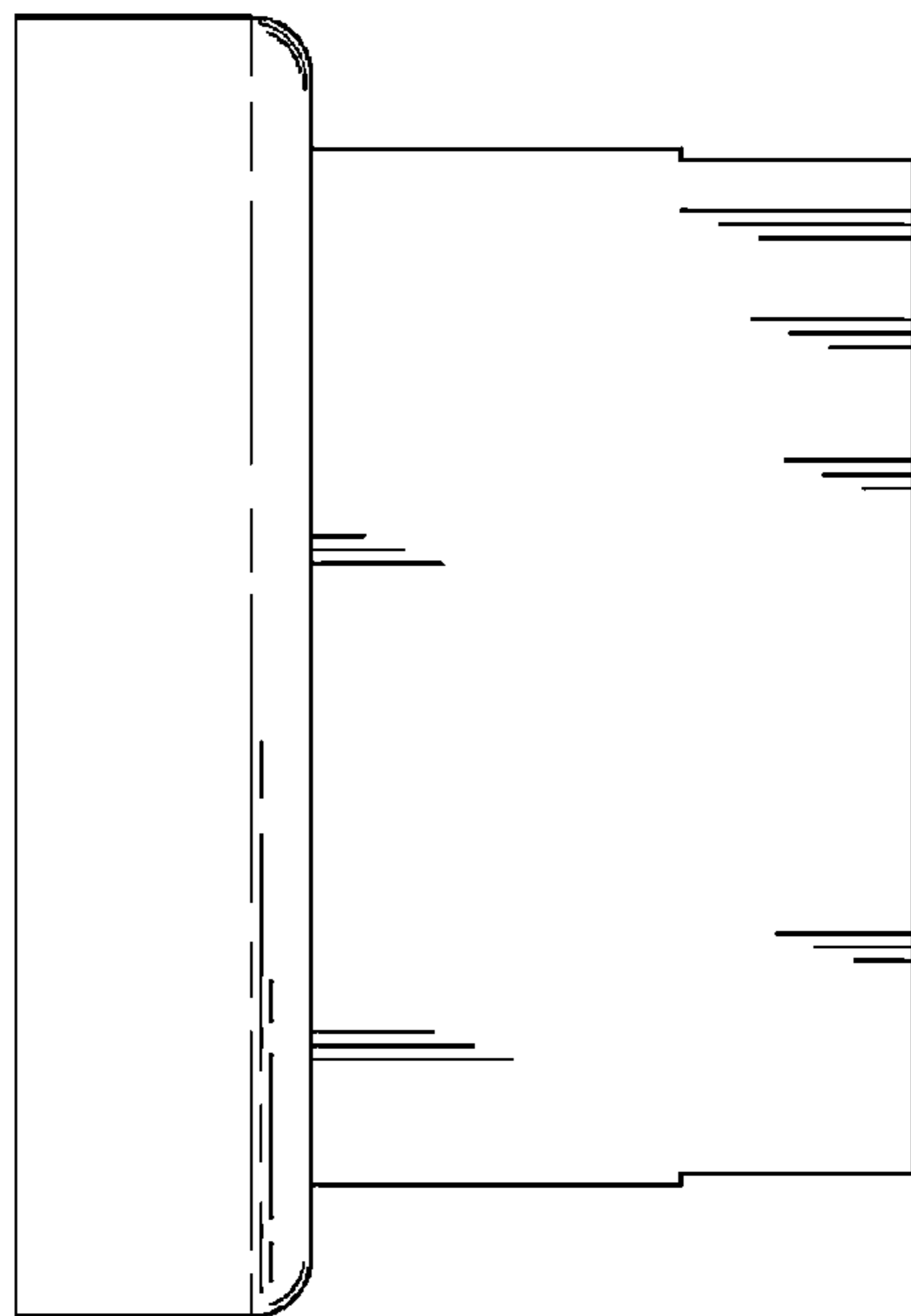


FIG. 5

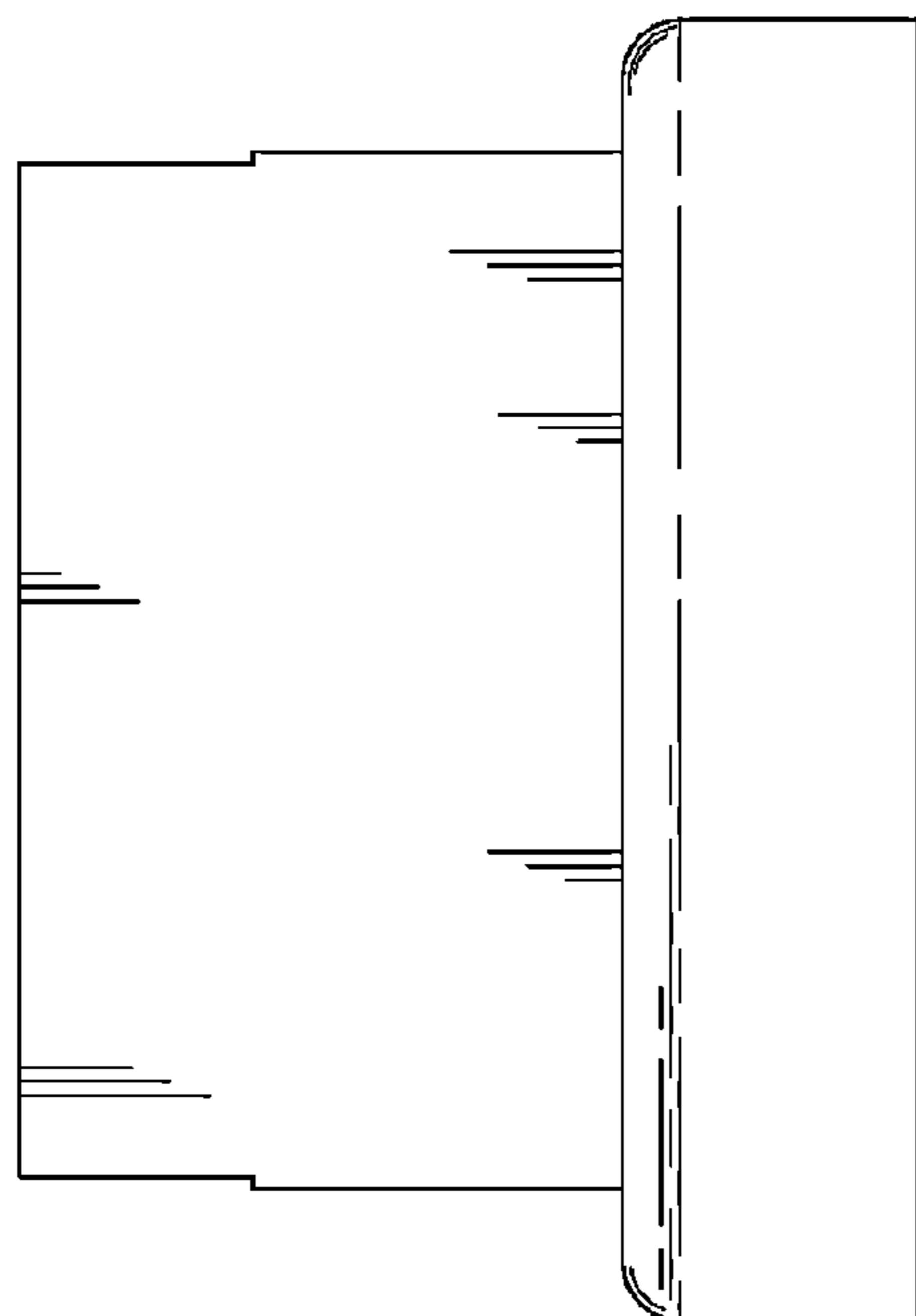


FIG. 4

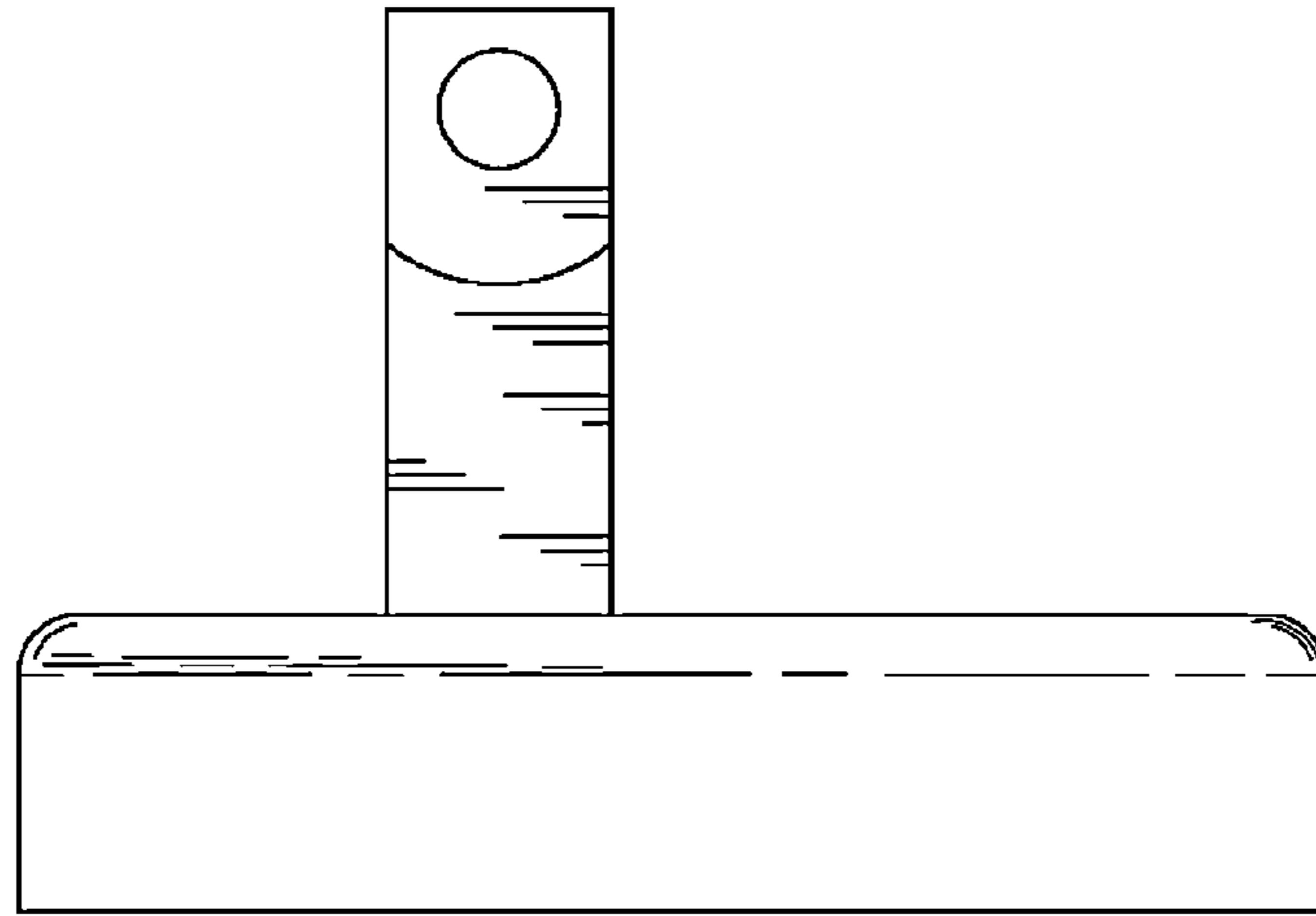


FIG. 7

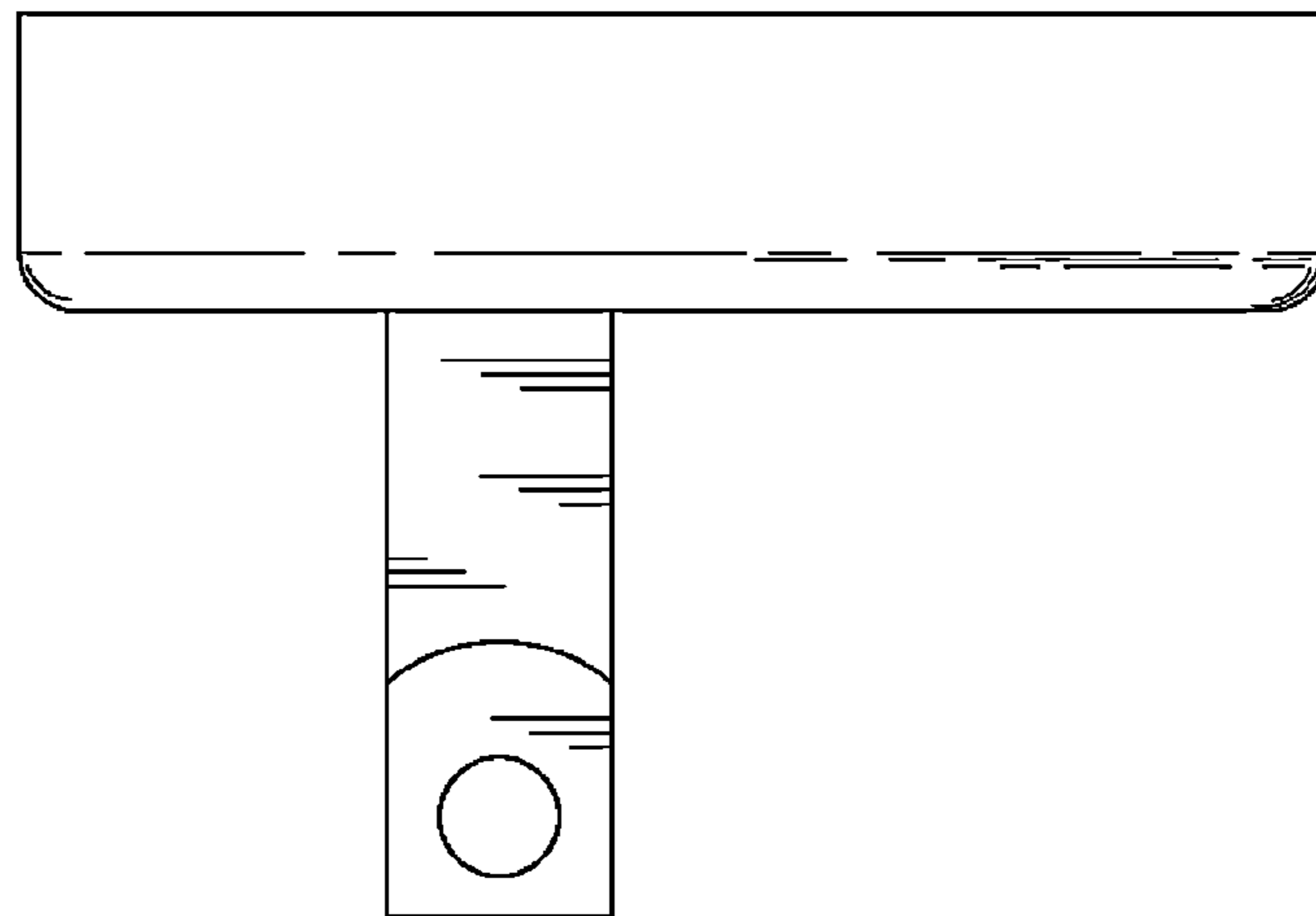


FIG. 6

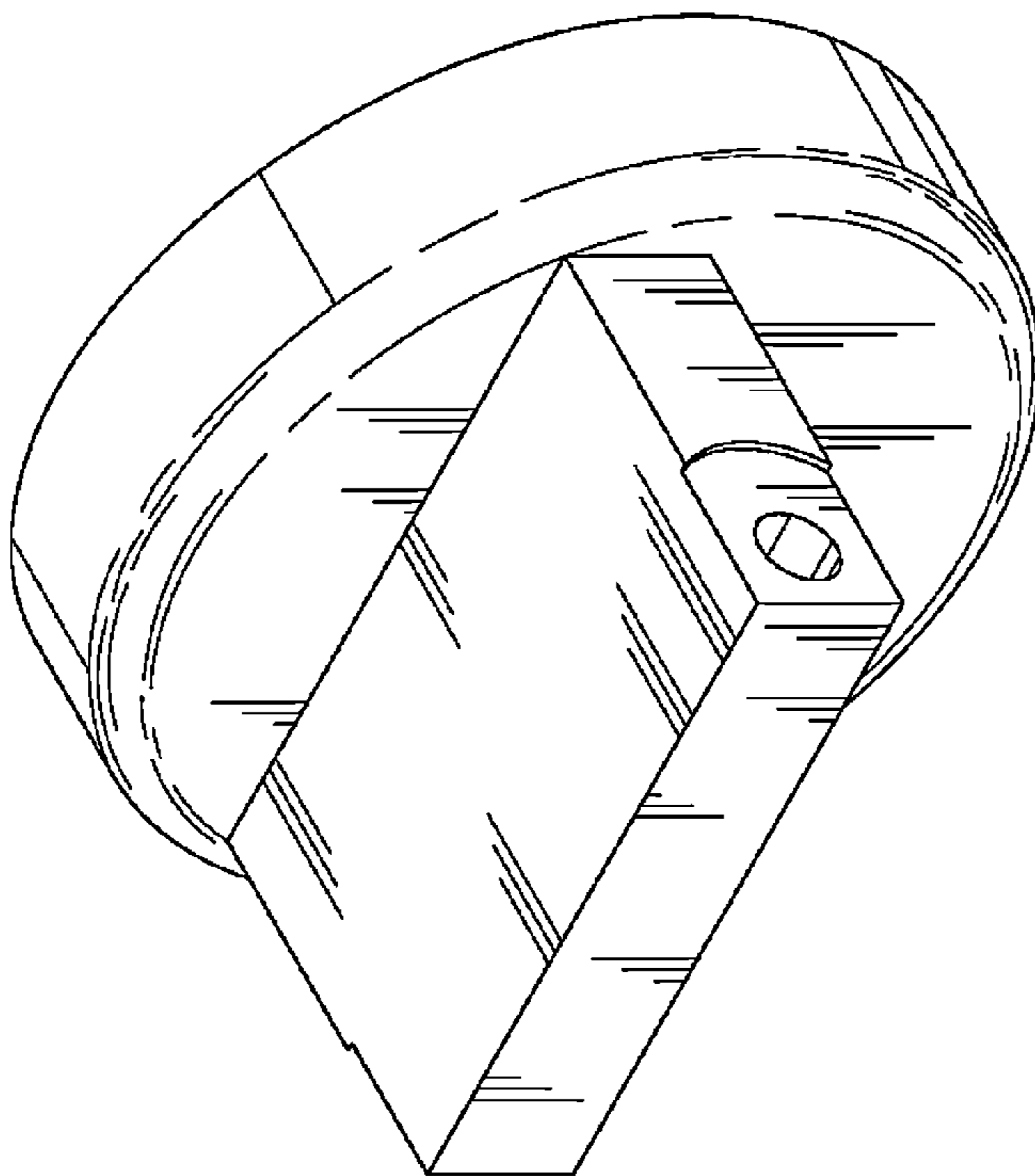


FIG. 8



FIG. 9

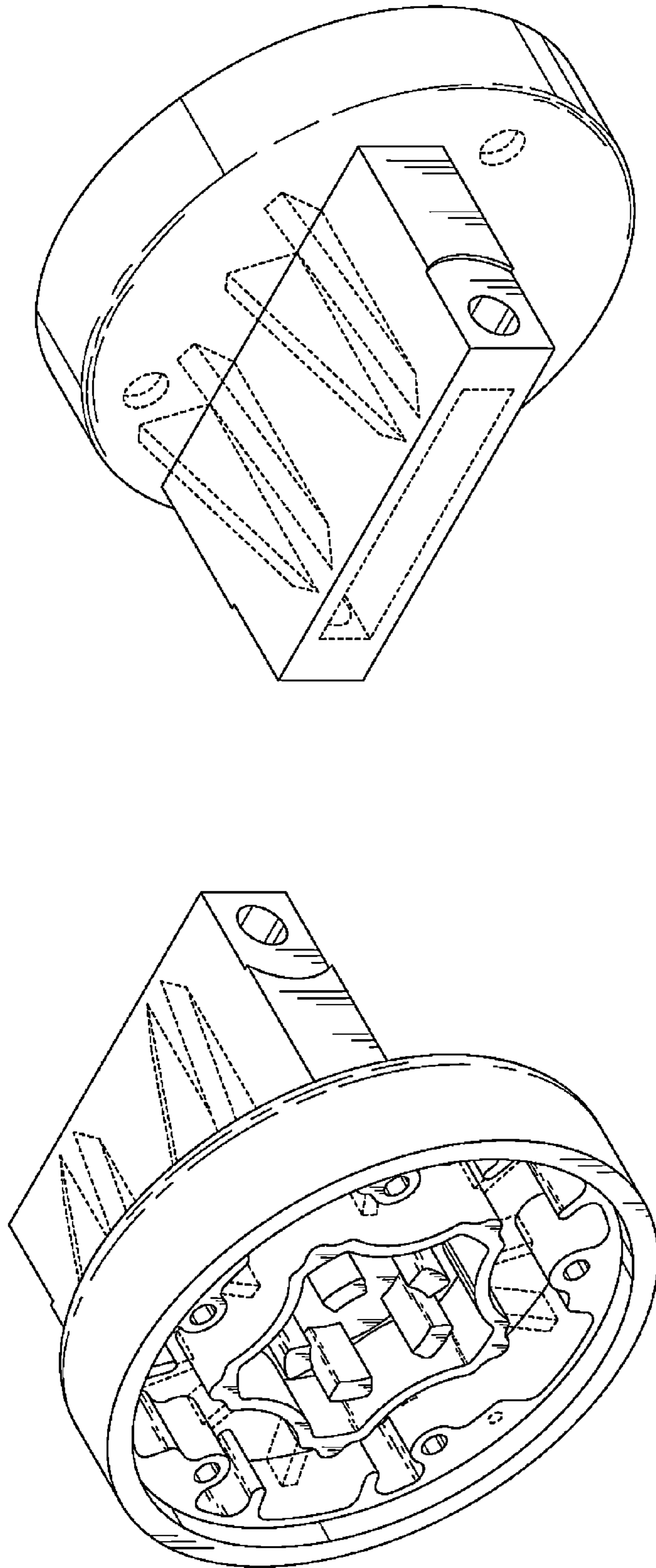


FIG. 11

FIG. 10