



US00D678340S

(12) **United States Design Patent**  
**Chu**

(10) **Patent No.:** **US D678,340 S**

(45) **Date of Patent:** **\*\* Mar. 19, 2013**

(54) **CAP FOR AIR COMPRESSOR**

(76) Inventor: **Henry C. Chu**, Orange, CA (US)

(\*\*) Term: **14 Years**

(21) Appl. No.: **29/373,402**

(22) Filed: **Apr. 5, 2011**

(51) **LOC (9) Cl.** ..... **15-02**

(52) **U.S. Cl.** ..... **D15/9**

(58) **Field of Classification Search** ..... D15/7-9;  
D23/231, 232, 225; 417/60, 235, 265, 321,  
417/355, 358, 363, 359, 410.1, 415-416,  
417/405, 900; 60/408, 412; 184/26-37;  
415/140-147; 123/495, 509

See application file for complete search history.

(56) **References Cited**

**U.S. PATENT DOCUMENTS**

D529,927 S *	10/2006	Chu	.....	D15/9
D555,174 S *	11/2007	Hwang	.....	D15/9
D555,670 S *	11/2007	Hwang	.....	D15/9
D574,858 S *	8/2008	Chu	.....	D15/9
D575,802 S *	8/2008	Chu	.....	D15/9
D625,338 S *	10/2010	Nam et al.	.....	D15/9
D648,750 S *	11/2011	Chu	.....	D15/9
D656,161 S *	3/2012	Nam et al.	.....	D15/9
D666,220 S *	8/2012	Chen	.....	D15/9
D666,221 S *	8/2012	Chen	.....	D15/9
D666,222 S *	8/2012	Chen	.....	D15/9
D666,223 S *	8/2012	Chen	.....	D15/9

\* cited by examiner

*Primary Examiner* — Ralf Seifert

(74) *Attorney, Agent, or Firm* — Charles E. Baxley

(57) **CLAIM**

The ornamental design for a cap for air compressor, as shown and described.

**DESCRIPTION**

FIG. 1 is a front perspective view of a cap for air compressor showing my new design;

FIG. 2 is a front elevational view thereof;

FIG. 3 is a rear elevational view thereof, the members depicted by means of broken lines being for illustrative purposes only and forming no part of the claimed design;

FIG. 4 is a top plan view thereof;

FIG. 5 is a bottom plan view thereof;

FIG. 6 is a left side elevational view thereof;

FIG. 7 is a right side elevational view thereof;

FIG. 8 is a rear perspective view thereof;

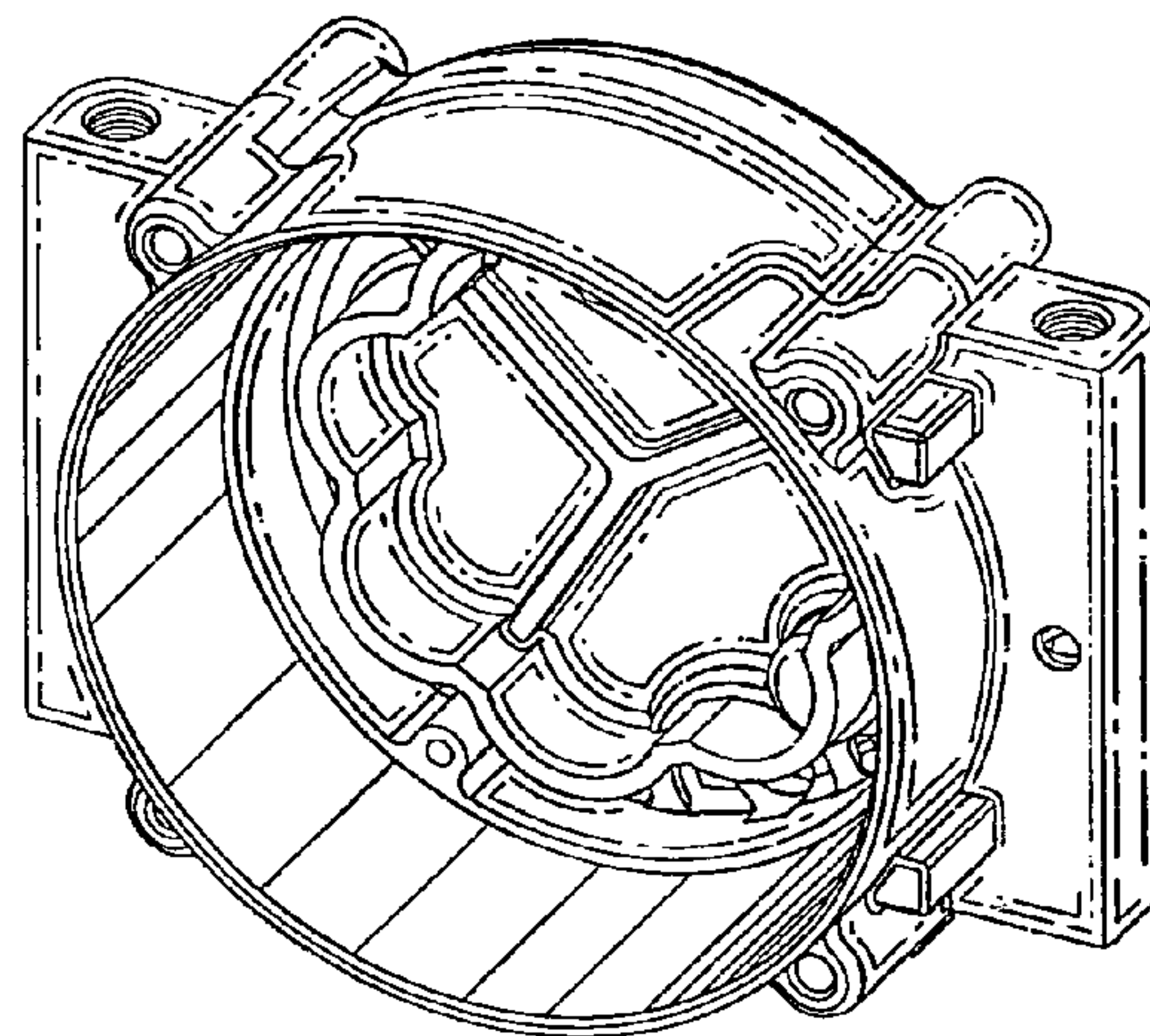
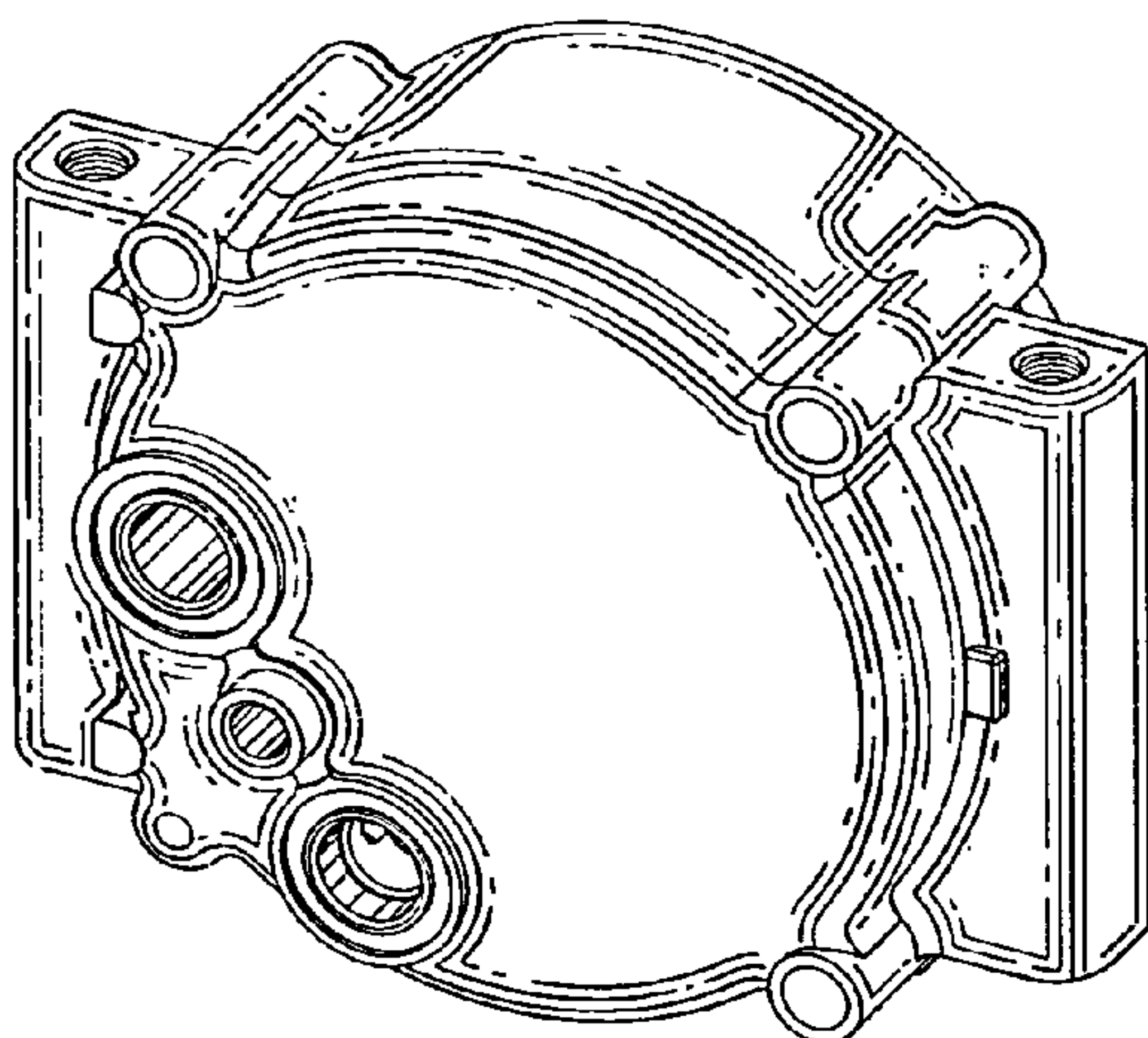
FIG. 9 is a front perspective view thereof, the opening depicted by means of broken lines being for illustrative purposes only and forming no part of the claimed design;

FIG. 10 is a rear perspective view thereof, the opening and the chambers depicted by means of broken lines being for illustrative purposes only and forming no part of the claimed design;

FIG. 11 is a front elevational view thereof, the opening depicted by means of broken lines being for illustrative purposes only and forming no part of the claimed design; and,

FIG. 12 is a rear elevational view thereof, the opening and the chambers depicted by means of broken lines being for illustrative purposes only and forming no part of the claimed design.

**1 Claim, 6 Drawing Sheets**



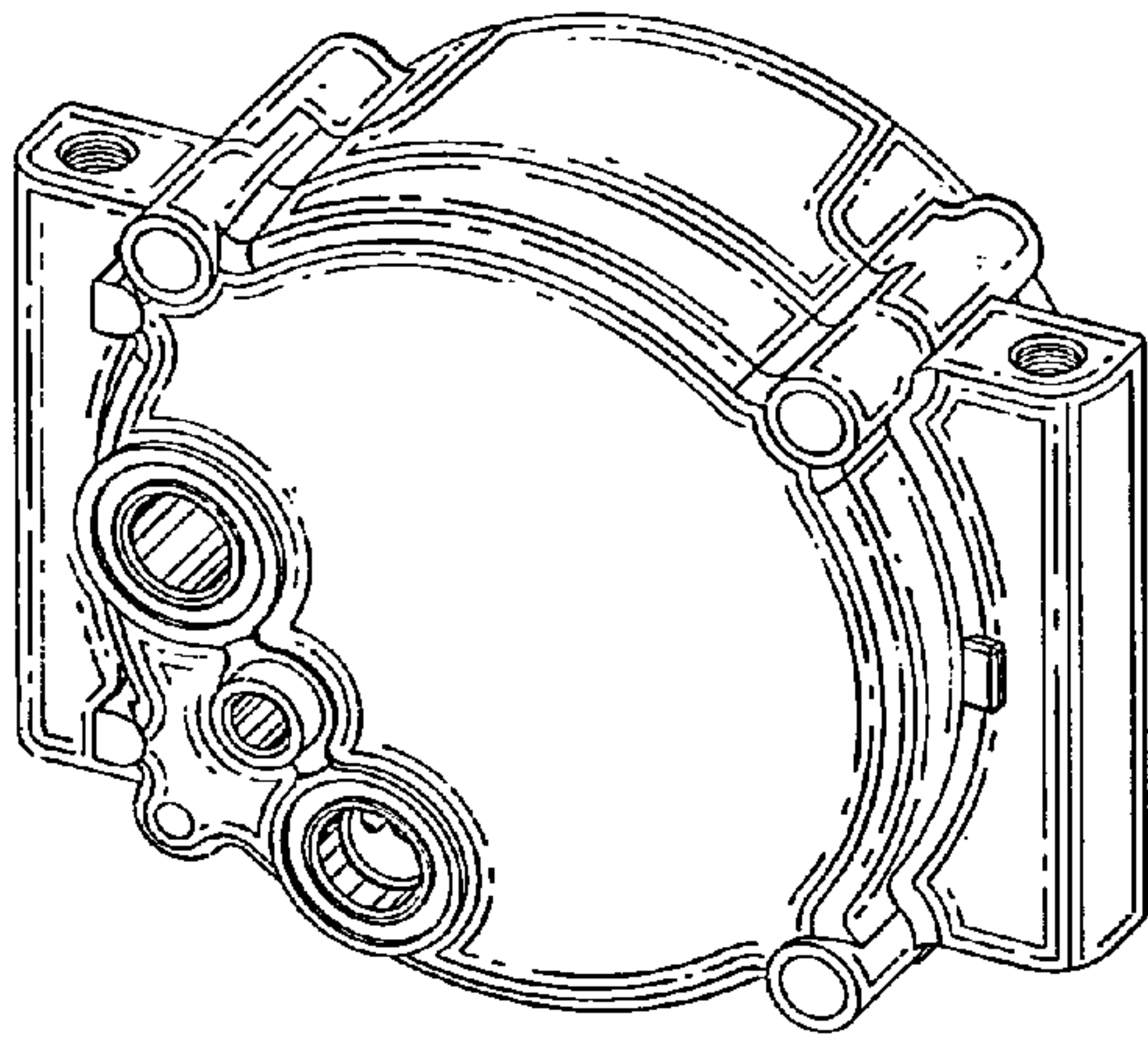


FIG. 1

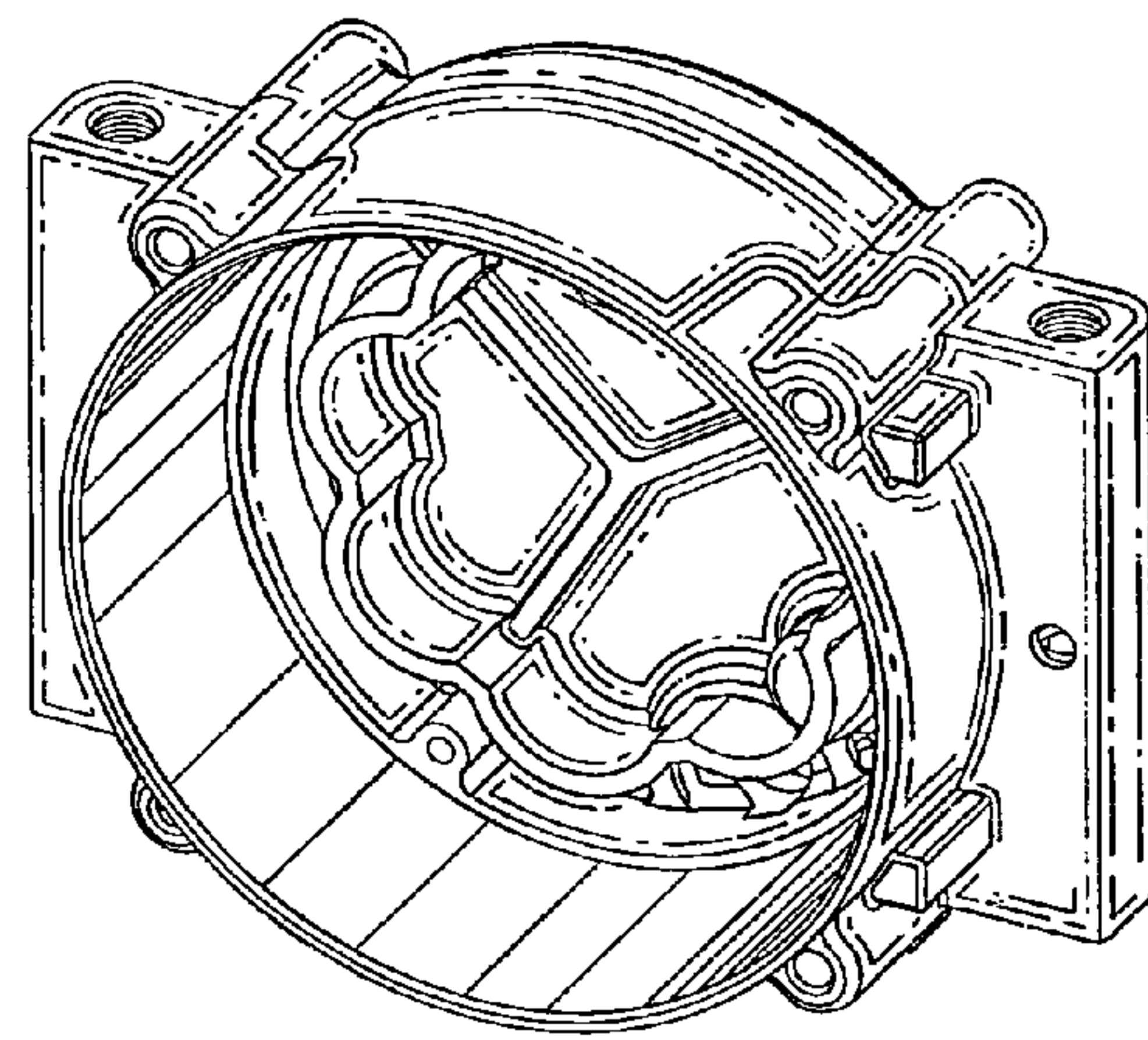


FIG. 8

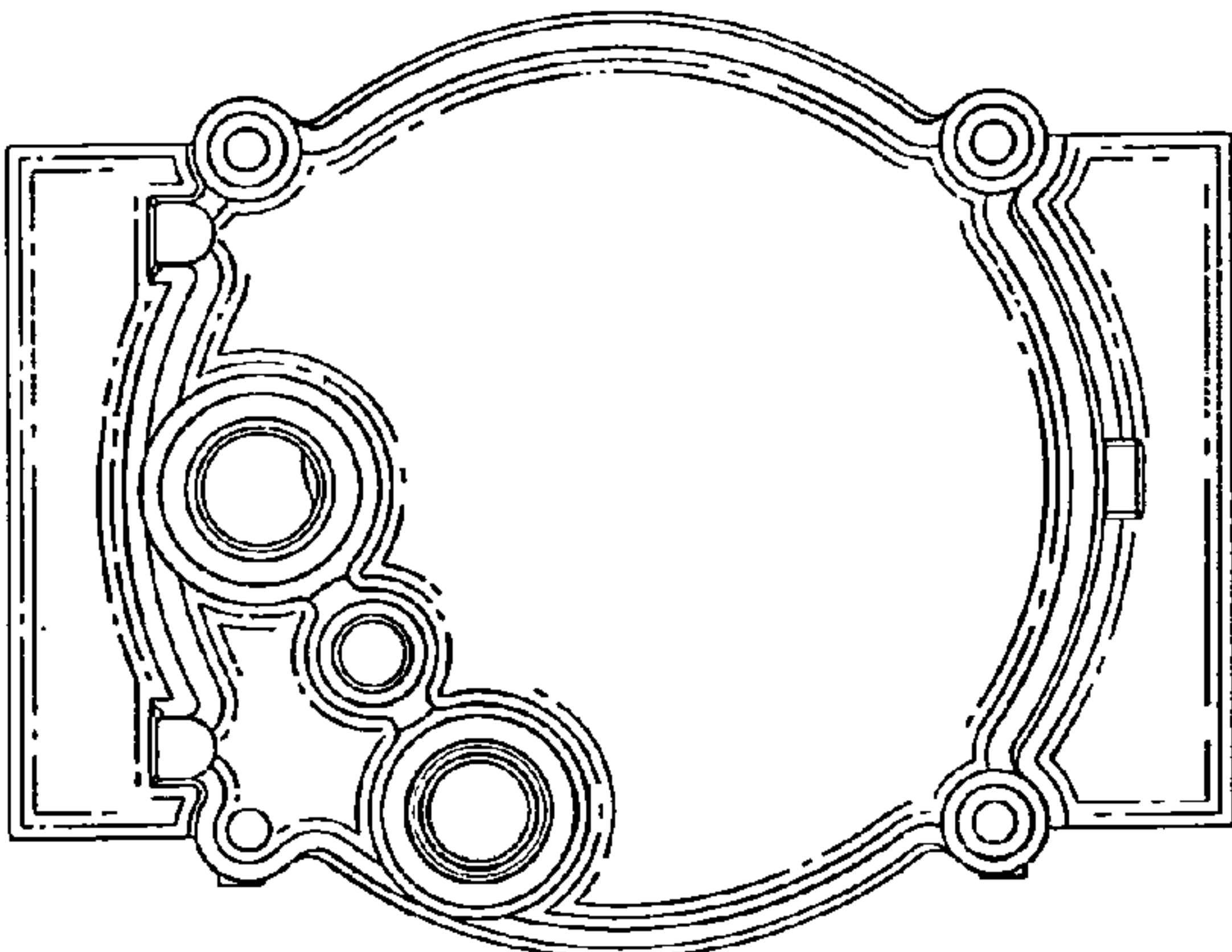


FIG. 2

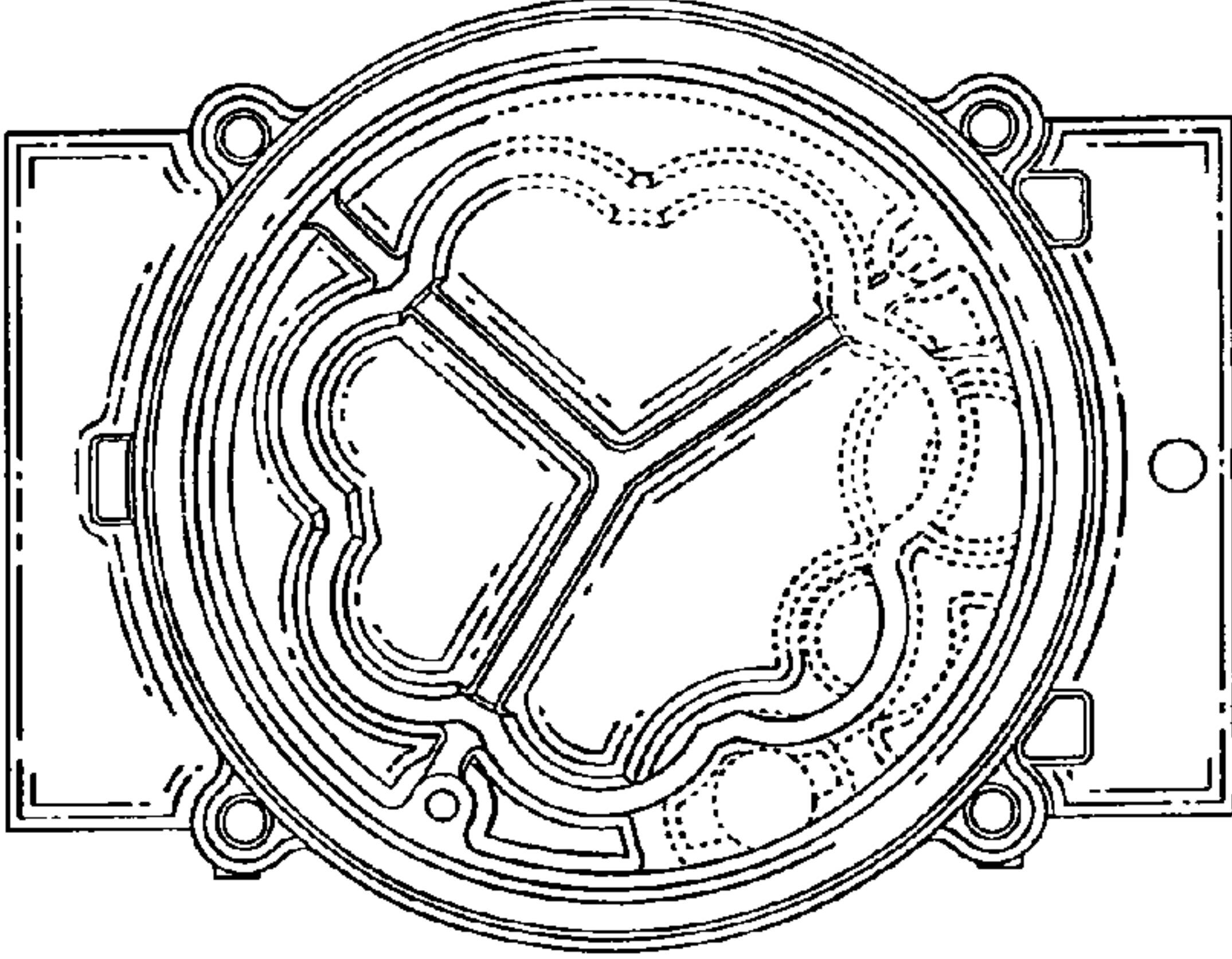


FIG. 3



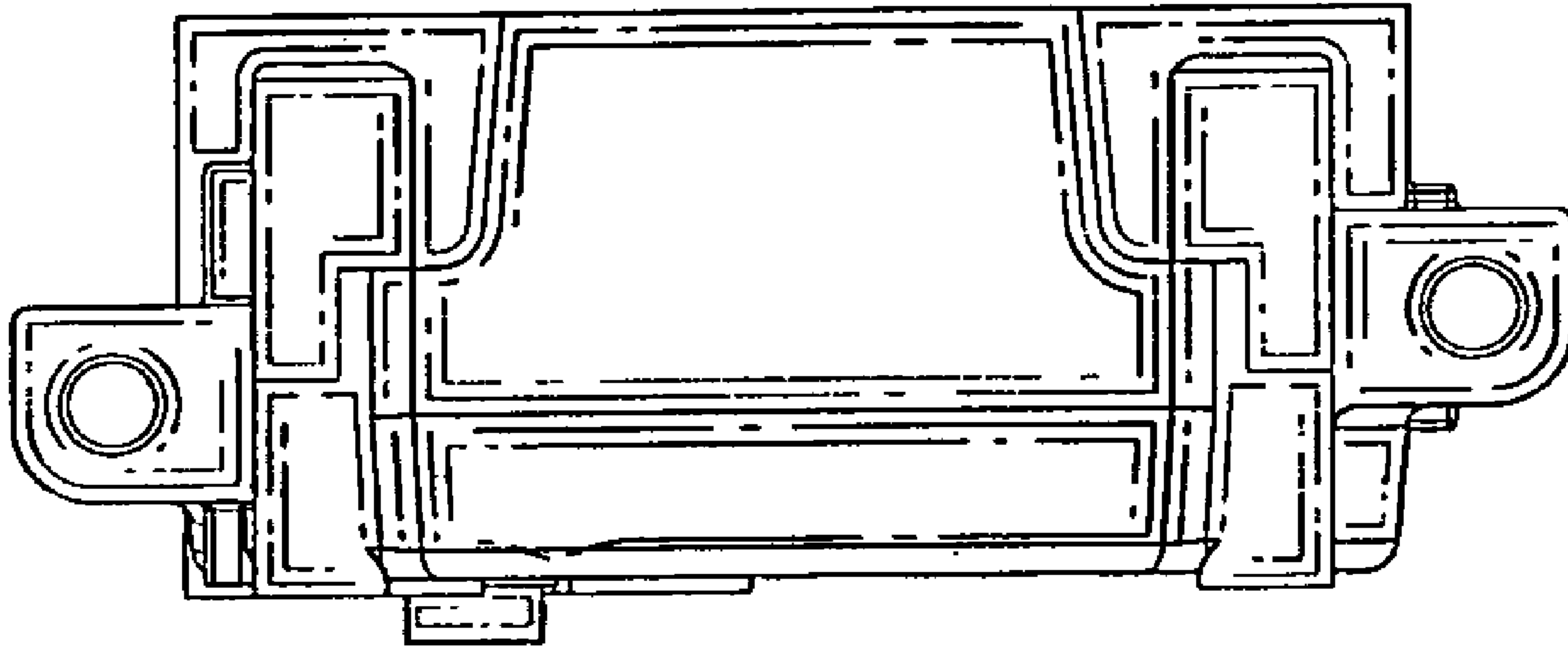


FIG. 4

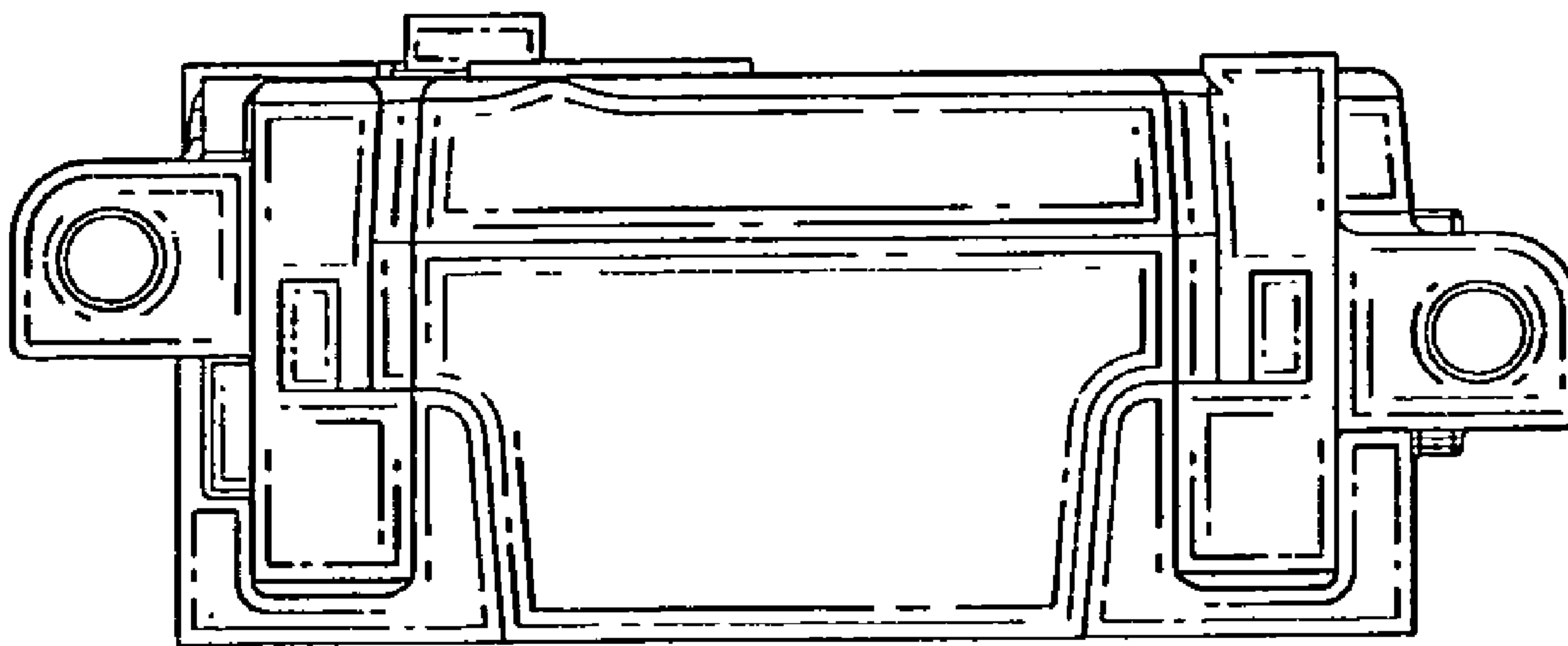


FIG. 5

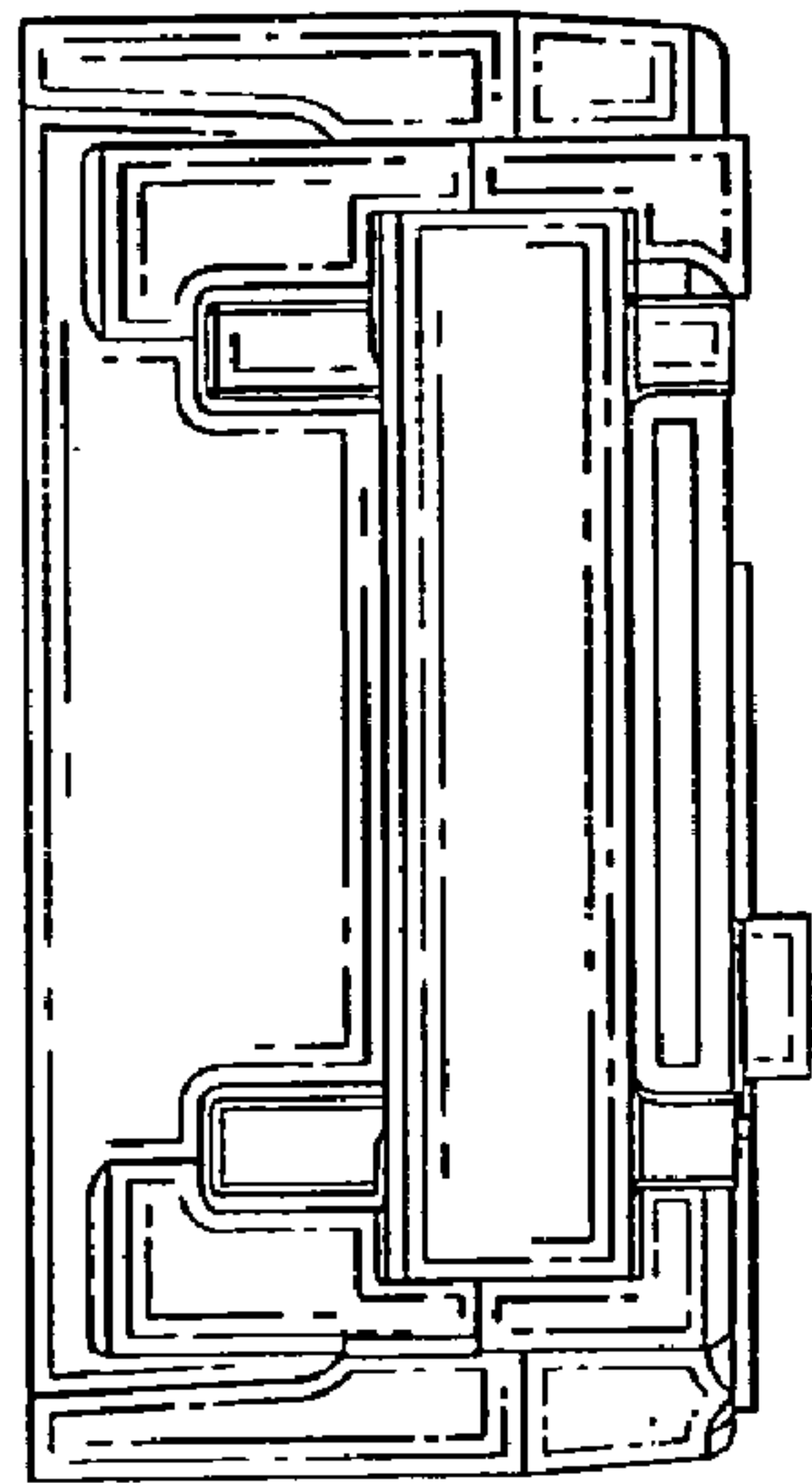


FIG. 6

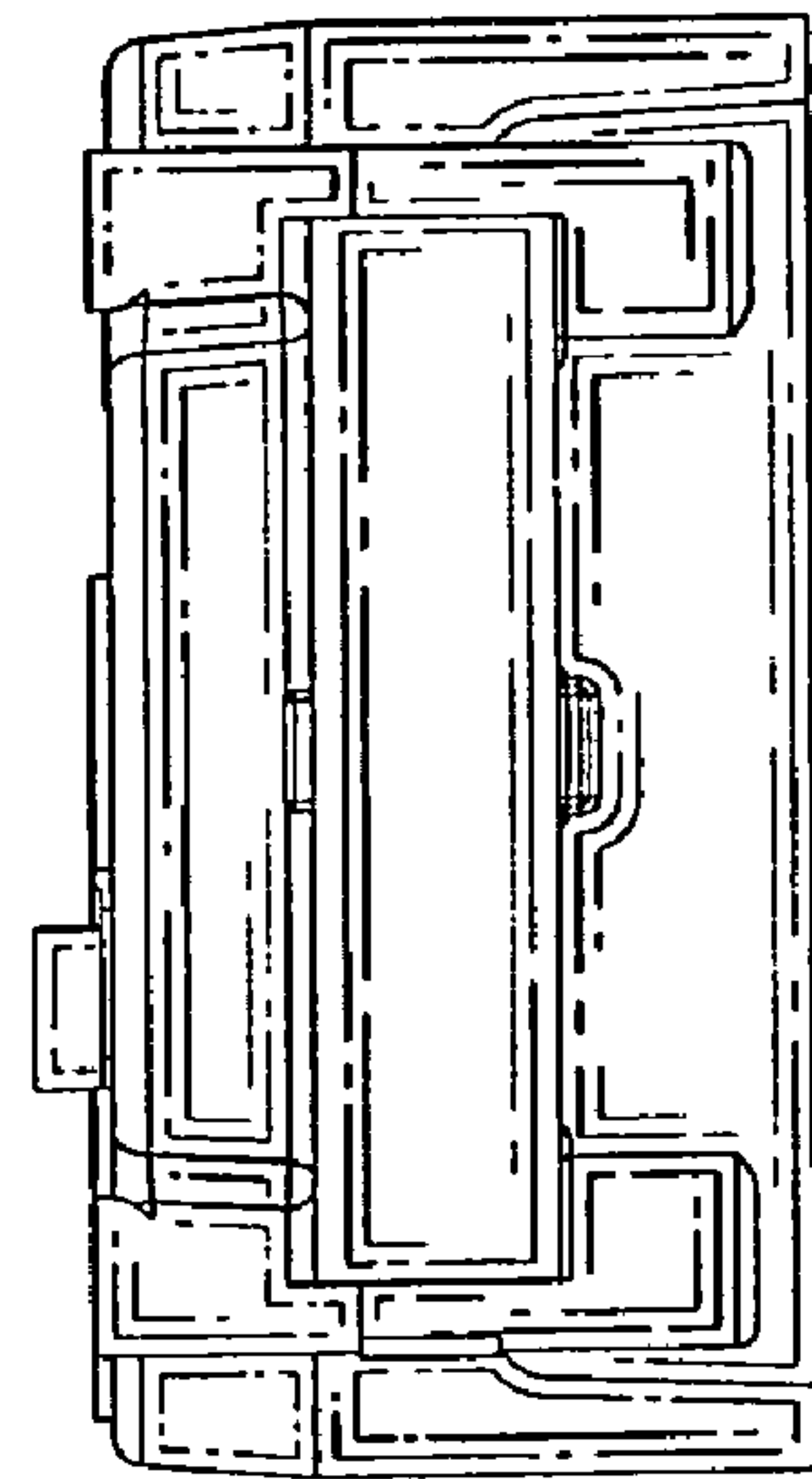


FIG. 7

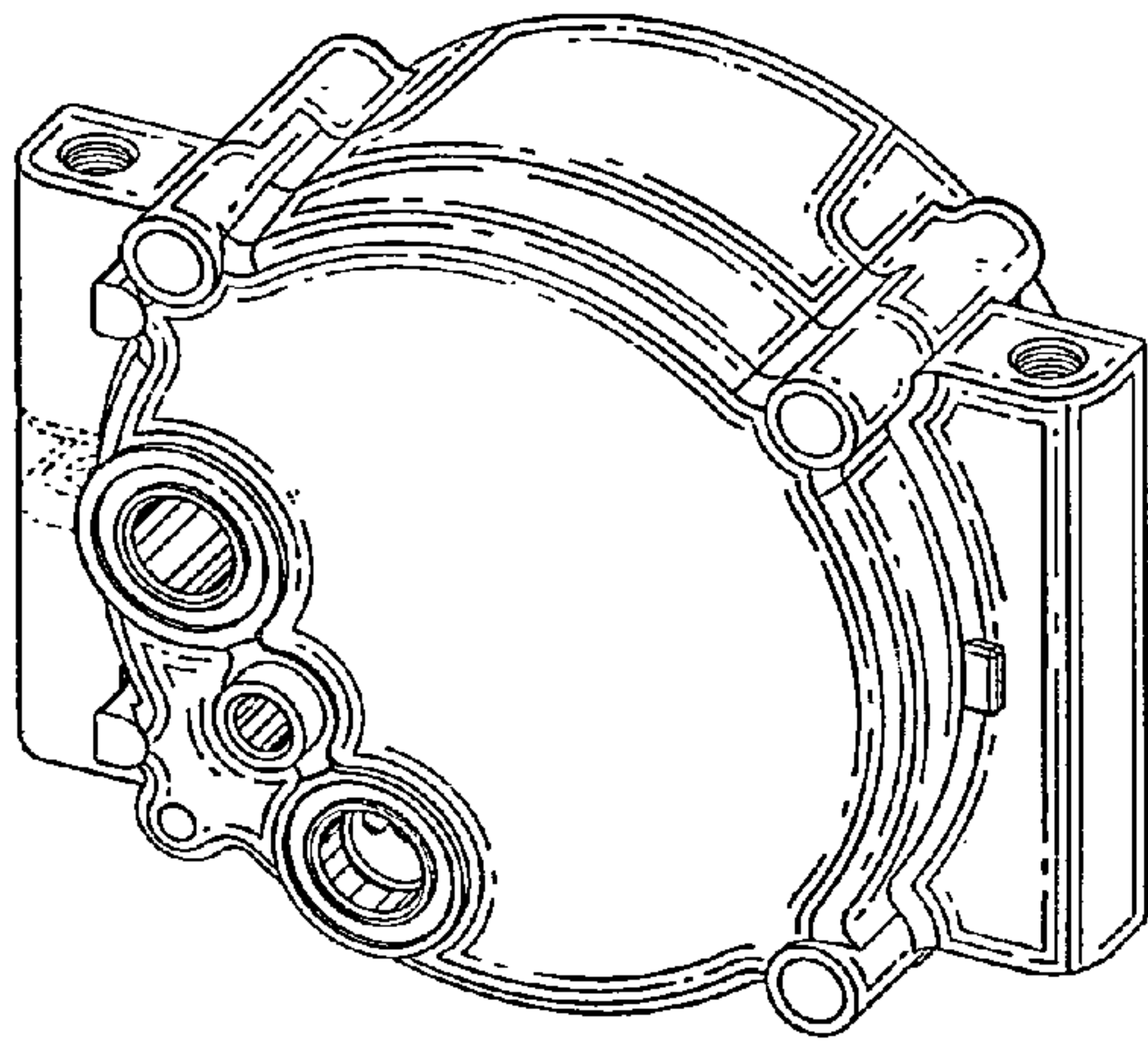


FIG. 9

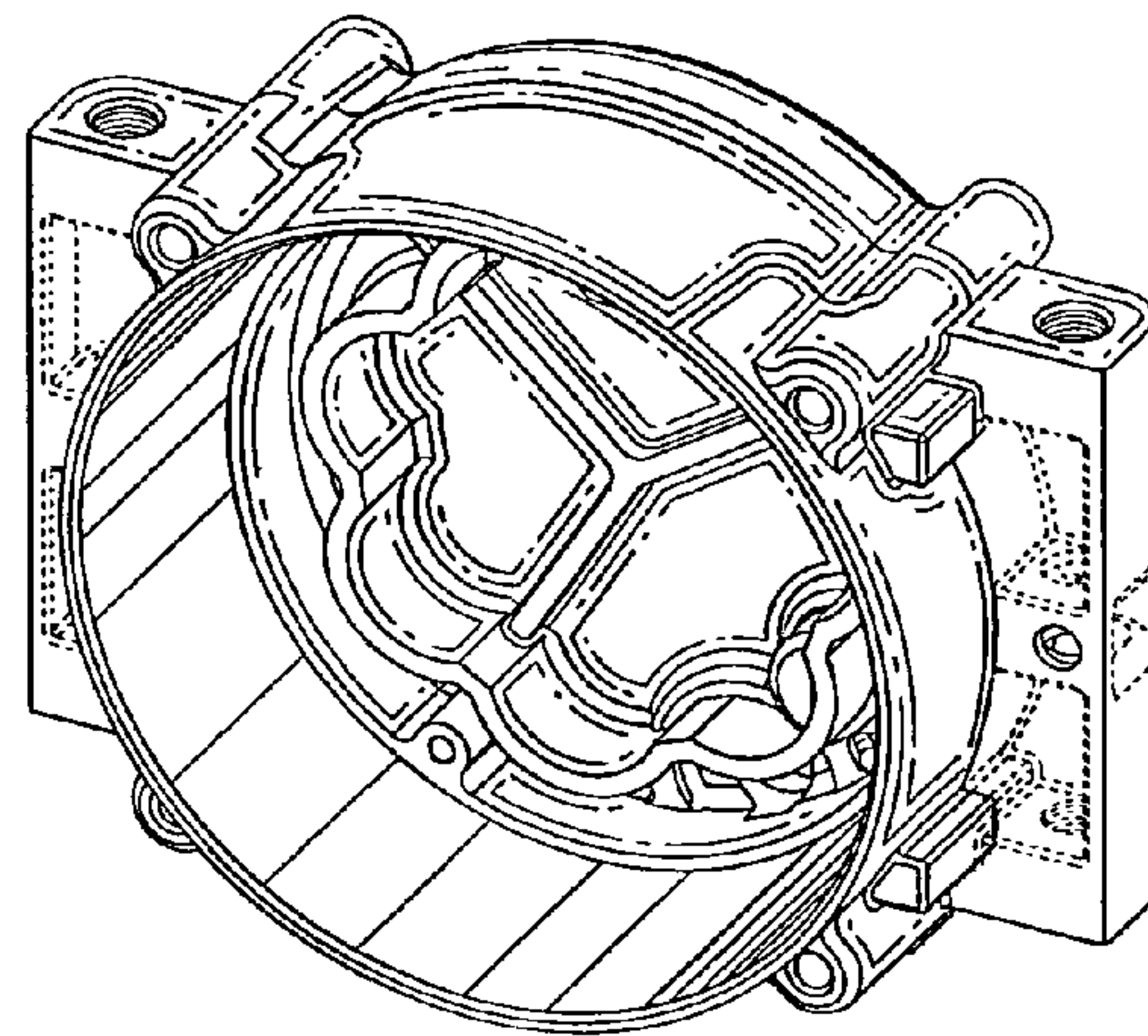


FIG. 10

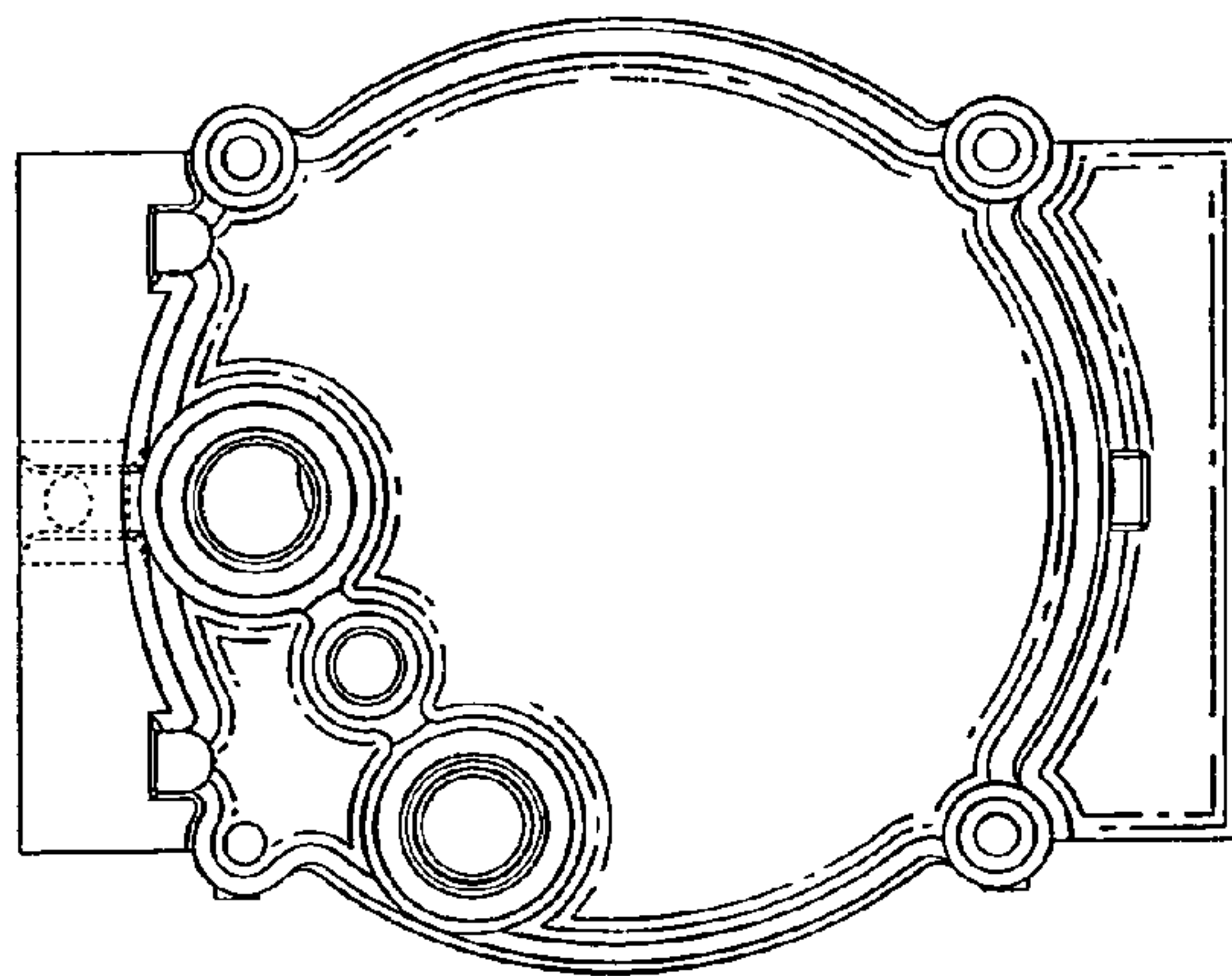


FIG. 11

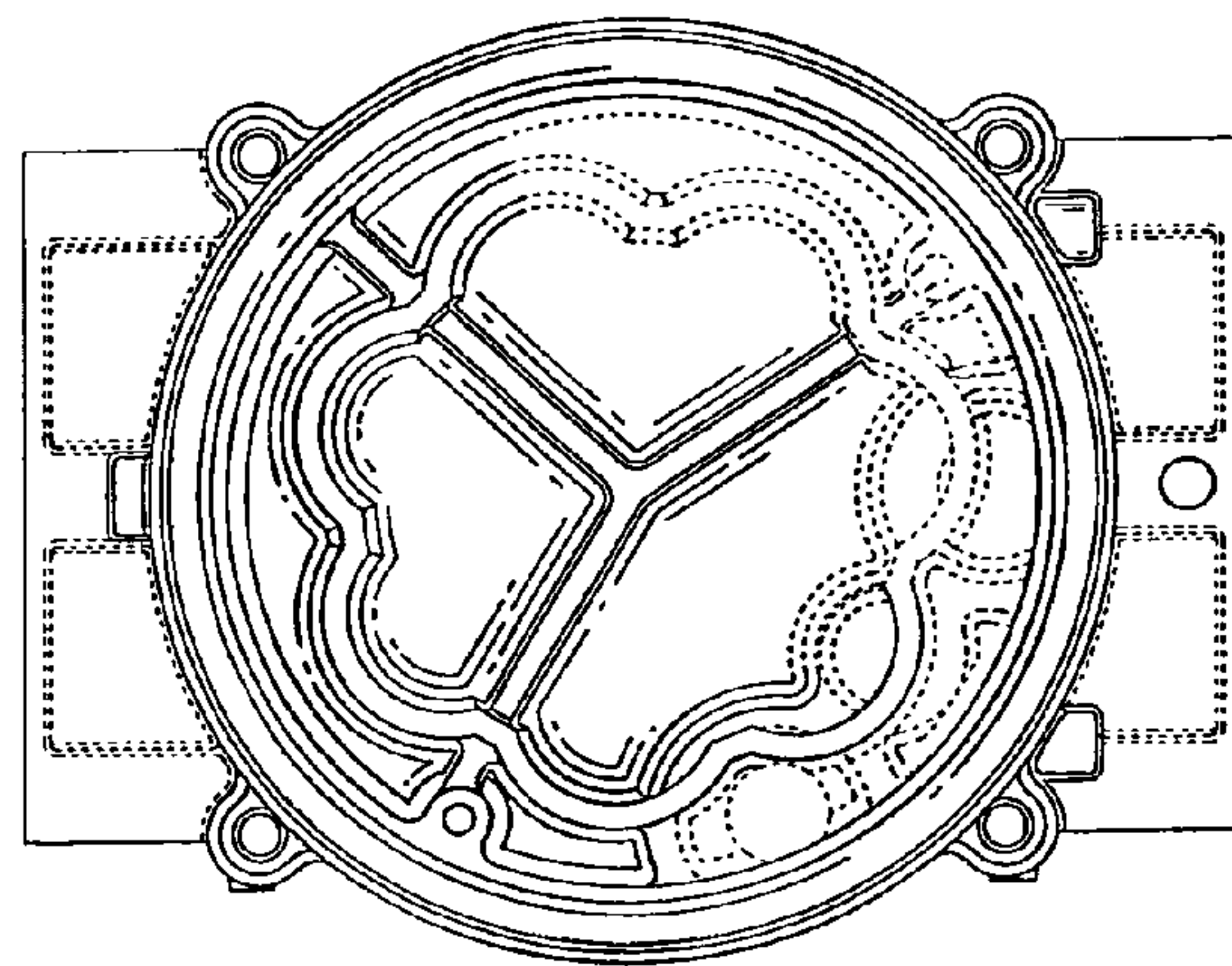


FIG. 12