



US00D678336S

(12) **United States Design Patent**
Akana et al.

(10) **Patent No.:** **US D678,336 S**
(45) **Date of Patent:** **** Mar. 19, 2013**

(54) **ELECTRONIC DEVICE**

455/344-347, 93, 95, 3.01-3.06, 550.1, 573.1;
370/342-344; 369/1, 2, 6-12; 463/43-47;
273/148 B

(75) Inventors: **Jody Akana**, San Francisco, CA (US);
Bartley K. Andre, Menlo Park, CA
(US); **Jeremy Bataillou**, San Francisco,
CA (US); **Daniel J. Coster**, San
Francisco, CA (US); **Daniele De Iuliis**,
San Francisco, CA (US); **Evans**
Hankey, San Francisco, CA (US);
Richard P. Howarth, San Francisco, CA
(US); **Jonathan P. Ive**, San Francisco,
CA (US); **Duncan Robert Kerr**, San
Francisco, CA (US); **Shin Nishibori**,
Kailua, HI (US); **Matthew Dean**
Rohrbach, San Francisco, CA (US);
Peter Russell-Clarke, San Francisco,
CA (US); **Christopher J. Stringer**,
Woodside, CA (US); **Eugene Antony**
Whang, San Francisco, CA (US); **Rico**
Zorkendorfer, San Francisco, CA (US)

See application file for complete search history.

(56) **References Cited**

U.S. PATENT DOCUMENTS
D141,980 S 8/1945 Holland et al.
(Continued)

OTHER PUBLICATIONS

Wilson, M., "Is This the Next iPod Shuffle?", Gizmodo, accessed at
<<http://gizmodo.com/5583144/is-this-the-next-ipod-shuffle>>,
retrieved Dec. 17, 2010, 2 pages.

Primary Examiner — Prabhakar Deshmukh
(74) *Attorney, Agent, or Firm* — Sterne, Kessler, Goldstein
& Fox PLLC

(73) Assignee: **Apple Inc.**, Cupertino, CA (US)

(57) **CLAIM**

The ornamental design for an electronic device, as shown and
described.

(**) Term: **14 Years**

(21) Appl. No.: **29/428,517**

DESCRIPTION

(22) Filed: **Jul. 31, 2012**

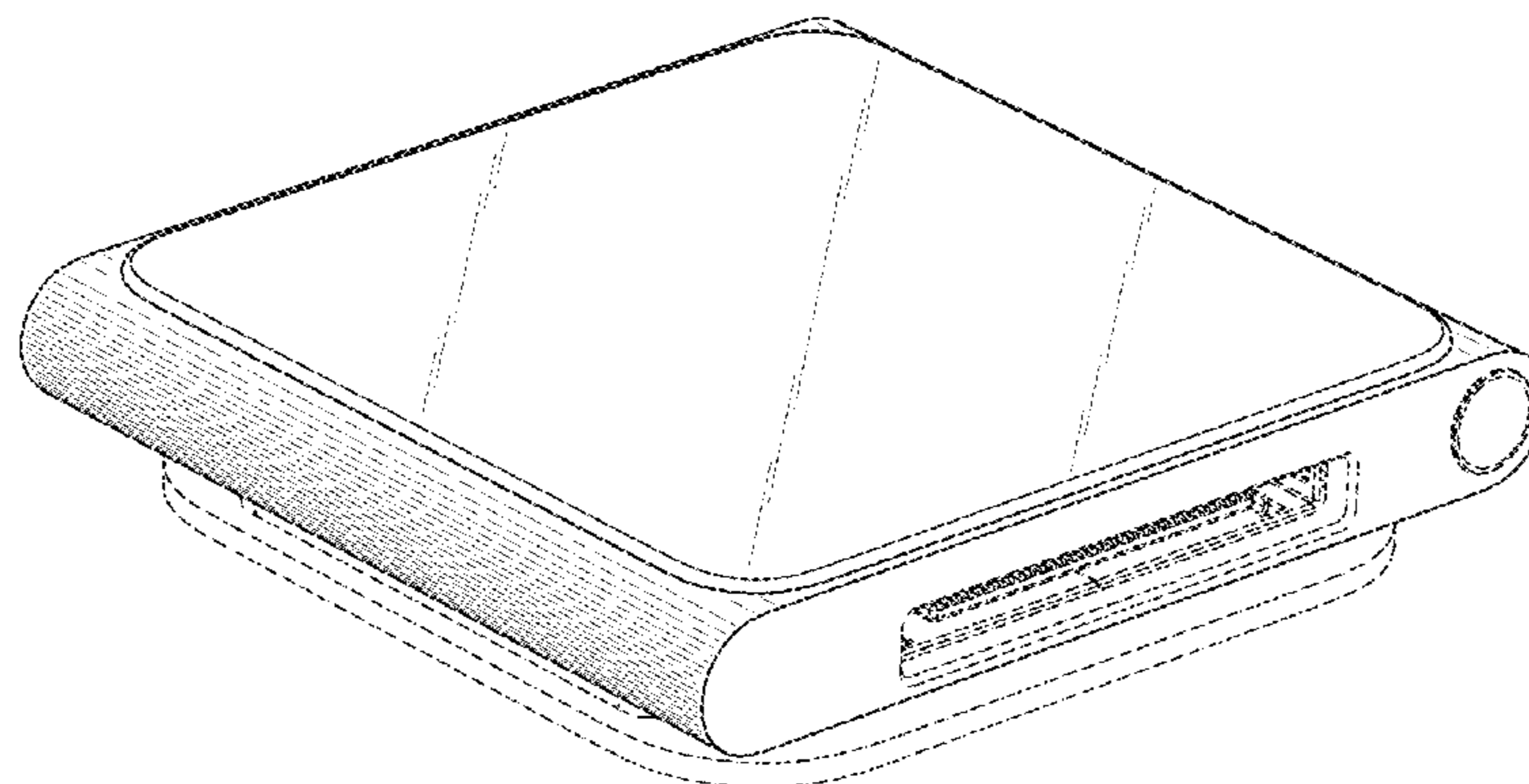
Related U.S. Application Data

(63) Continuation of application No. 29/413,693, filed on
Feb. 17, 2012, now Pat. No. Des. 664,995, which is a
continuation of application No. 29/391,989, filed on
May 16, 2011, now Pat. No. Des. 654,506, which is a
continuation of application No. 29/367,996, filed on
Aug. 16, 2010, now Pat. No. Des. 638,030.

FIG. 1 is a front bottom perspective view of an electronic
device showing our new design;
FIG. 2 is a rear bottom perspective view thereof;
FIG. 3 is a rear top perspective view thereof;
FIG. 4 is a front top perspective view thereof;
FIG. 5 is a front view thereof;
FIG. 6 is a rear view thereof;
FIG. 7 is a bottom view thereof;
FIG. 8 is a top view thereof;
FIG. 9 is a side view thereof; and,
FIG. 10 is another side view thereof.
The shade lines in the Figures show contour or transparency
and not surface ornamentation.
The broken lines in the Figures show portions of the elec-
tronic device which form no part of the claimed design.

(51) **LOC (9) Cl.** **14-03**
(52) **U.S. Cl.** **D14/496; D14/203.3**
(58) **Field of Classification Search** D14/496,
D14/401, 435, 474, 483, 217, 137, 138, 160,
D14/168, 356, 203.1-203.8, 507; 345/156,
345/169, 173-179, 905; 715/727-729, 864;
710/1, 5, 8; 713/1, 600; 455/1.1, 1.7, 73,

1 Claim, 8 Drawing Sheets



US D678,336 S

Page 2

U.S. PATENT DOCUMENTS

5,128,829	A *	7/1992	Loew	361/679.3	D546,202	S	7/2007	Chang	
D345,304	S	3/1994	Leader		D555,171	S *	11/2007	Dai	D14/496
5,808,862	A	9/1998	Robbins		D556,193	S	11/2007	Laituri et al.	
D408,794	S	4/1999	Ogasawara		D559,860	S	1/2008	Andre et al.	
6,122,526	A	9/2000	Parulski et al.		D559,861	S	1/2008	Andre et al.	
D441,735	S	5/2001	Katayama		D560,228	S	1/2008	Andre et al.	
6,354,477	B1 *	3/2002	Trummer	224/575	D563,434	S *	3/2008	Dai	D14/496
D459,339	S	6/2002	Tong		D569,389	S	5/2008	Andre et al.	
6,567,011	B1 *	5/2003	Young et al.	340/12.28	D588,610	S	3/2009	Andre et al.	
6,595,860	B1 *	7/2003	Yamamoto et al.	463/43	D589,530	S	3/2009	Andre et al.	
D478,076	S *	8/2003	Hong	D14/345	D590,826	S *	4/2009	Andre et al.	D14/341
D488,472	S	4/2004	Haase et al.		D601,172	S	9/2009	Andre et al.	
D490,796	S	6/2004	Allen		D616,899	S	6/2010	Andre et al.	
D517,065	S	3/2006	Ko et al.		D627,367	S	11/2010	Andre et al.	
D521,460	S	5/2006	Shimizu		D638,030	S	5/2011	Akana et al.	
					D638,854	S	5/2011	Andre et al.	

* cited by examiner

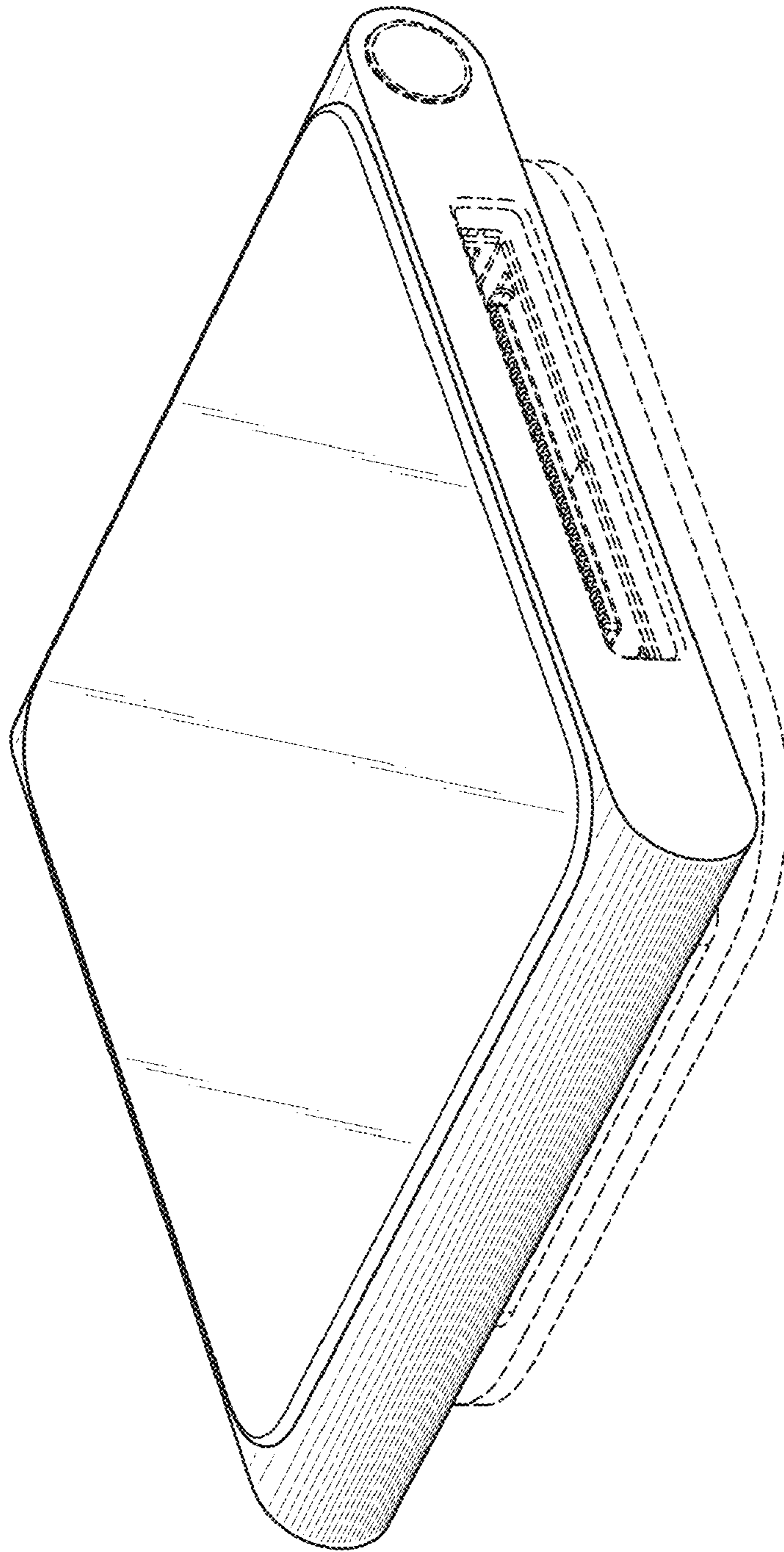


FIG. 1

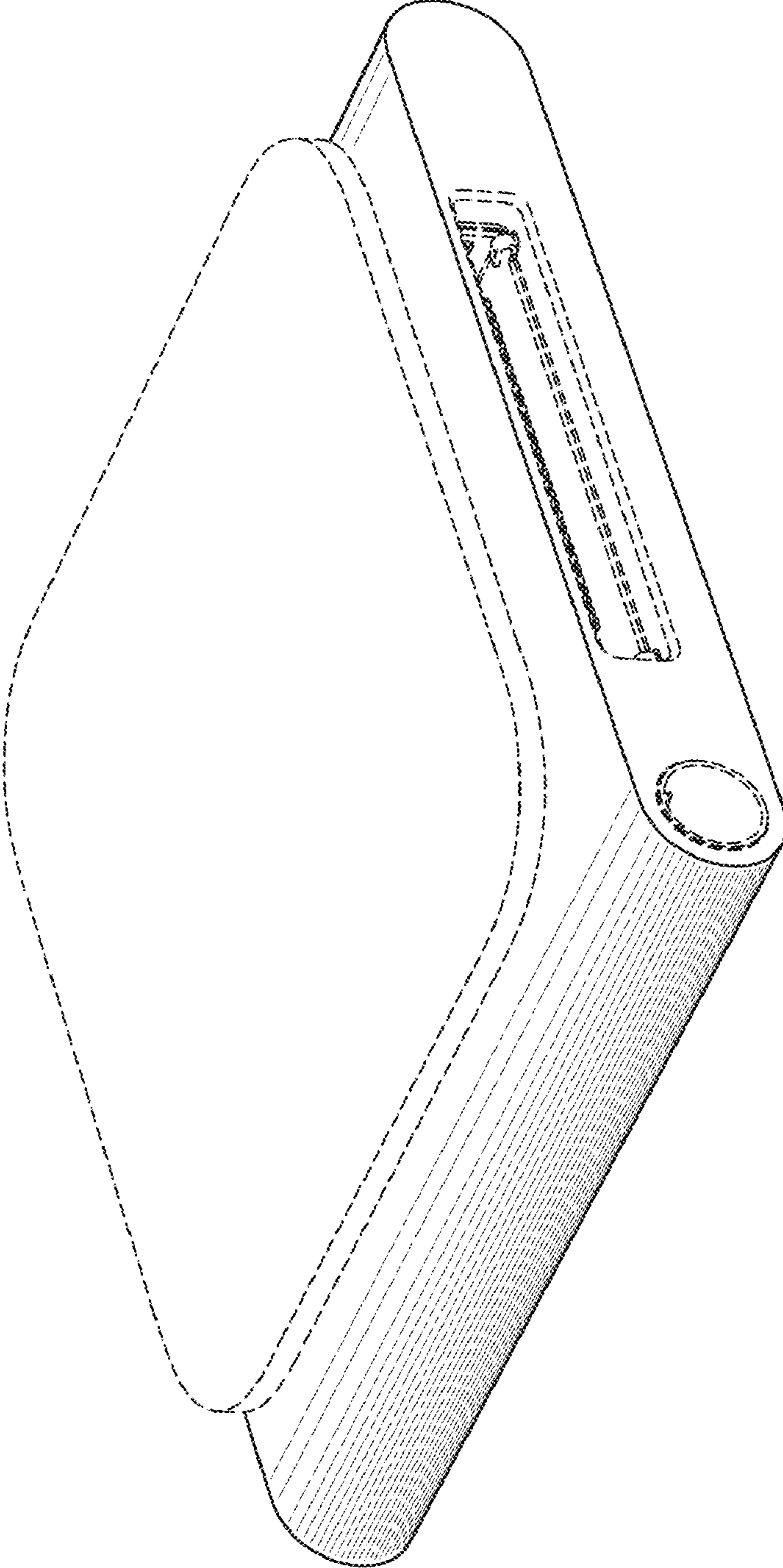


FIG. 2

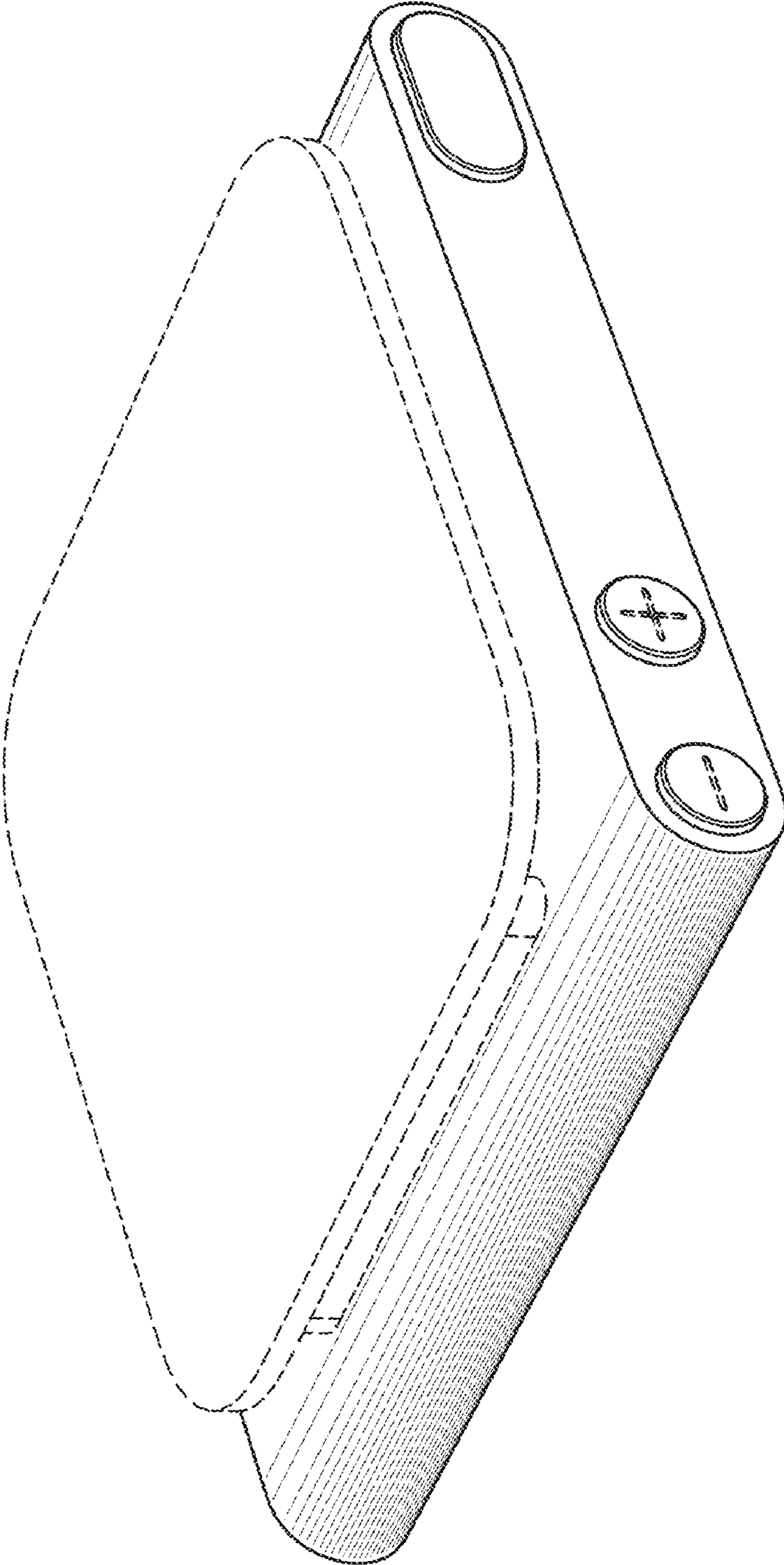


FIG. 3

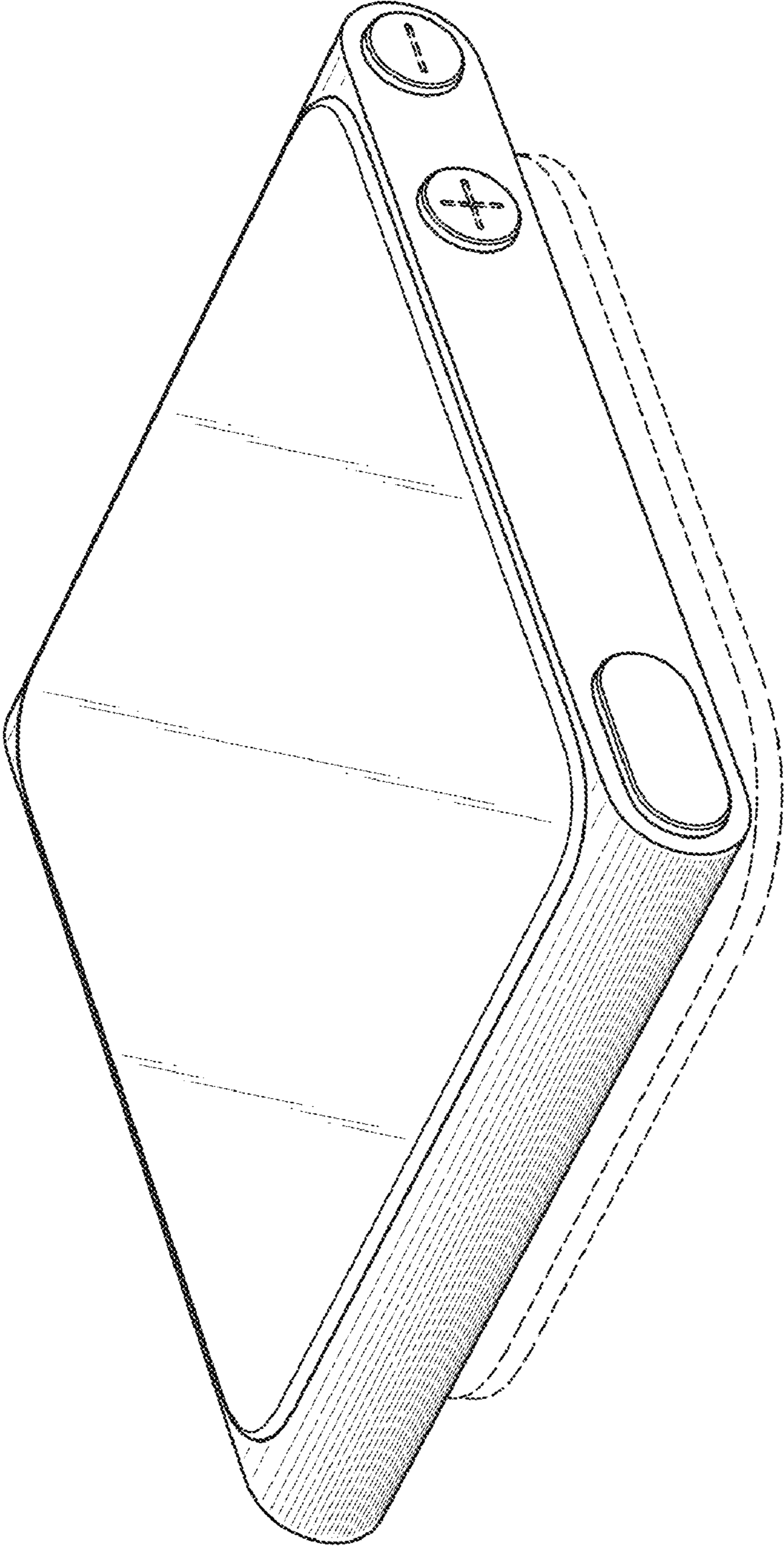


FIG. 4

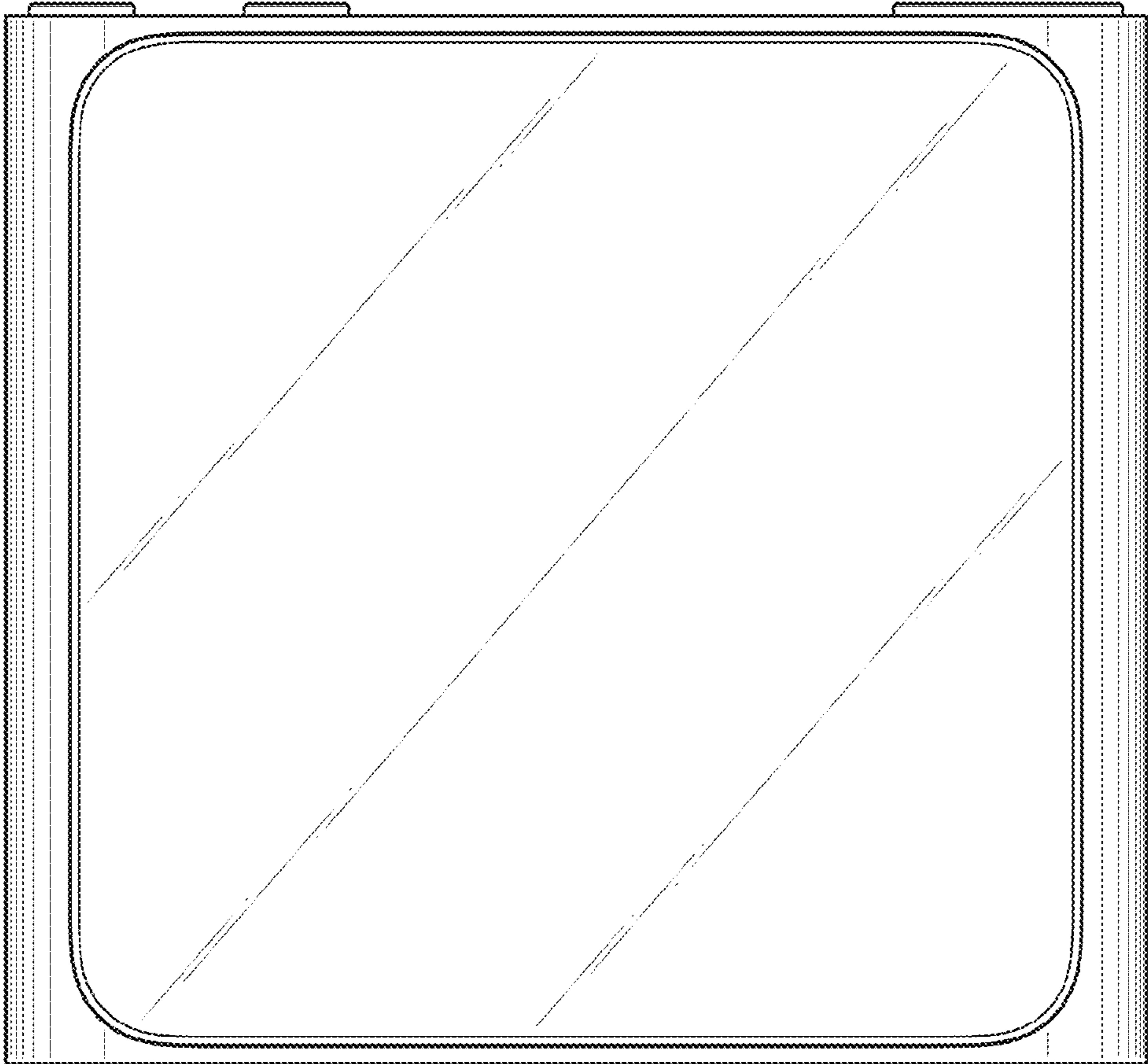


FIG. 5

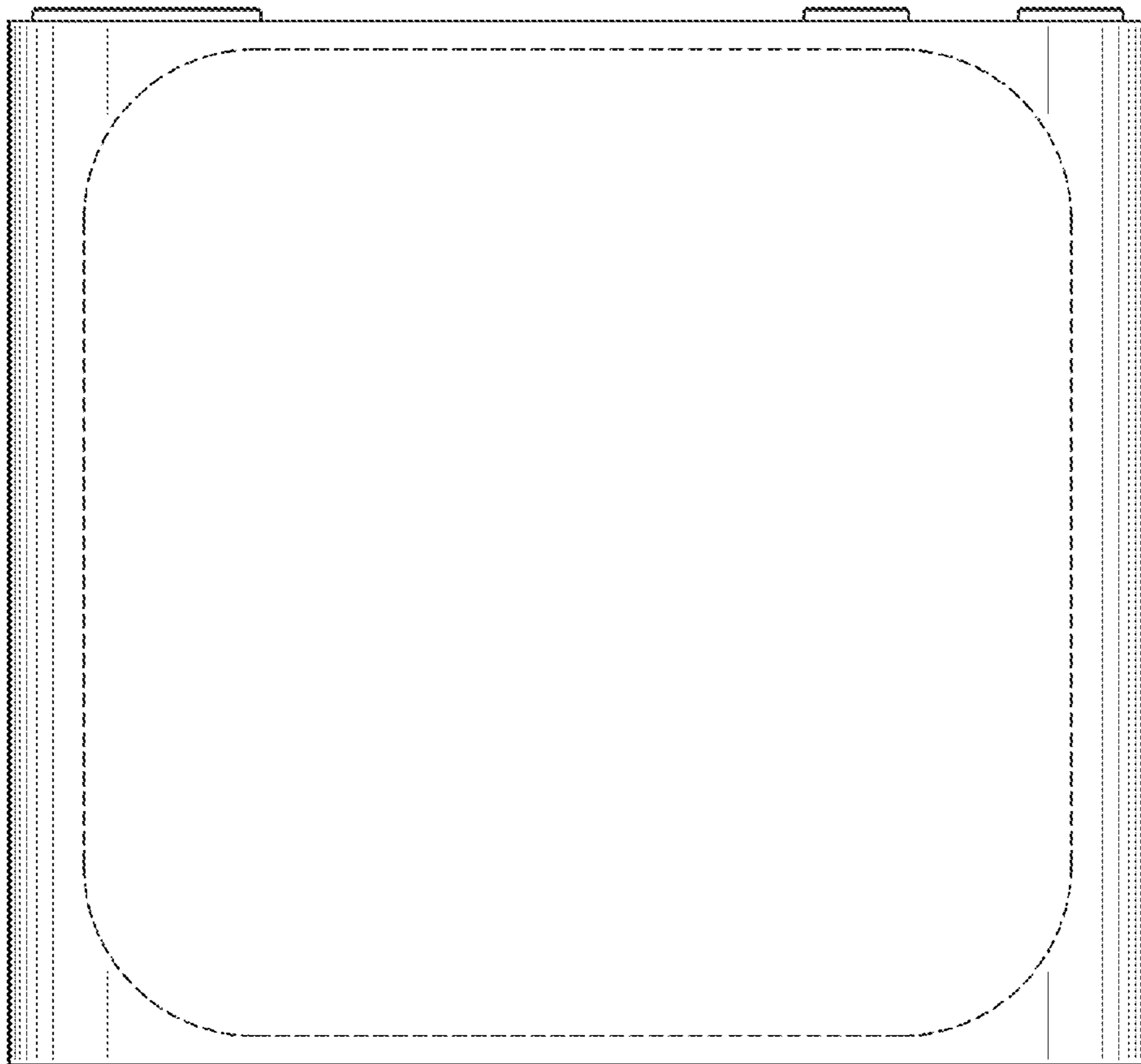


FIG. 6

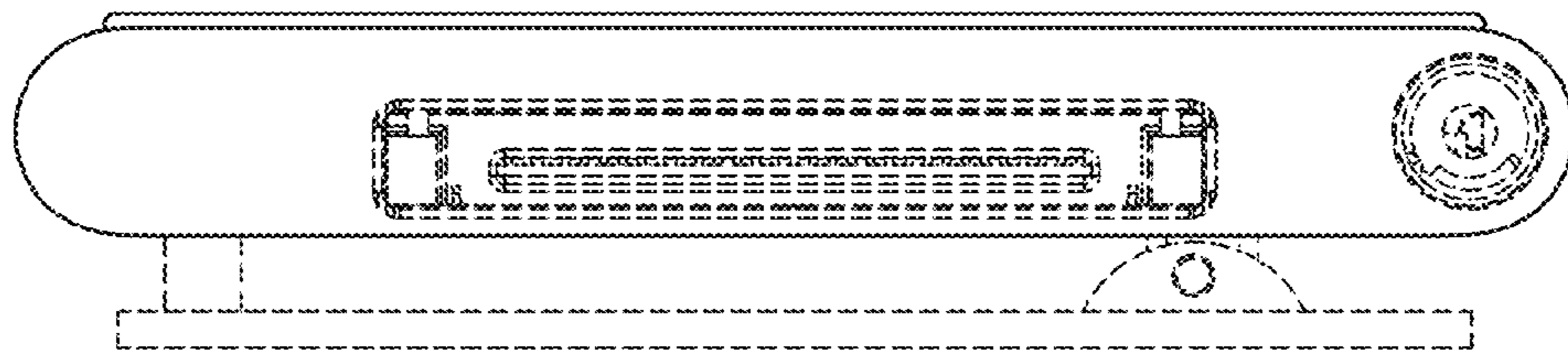


FIG. 7

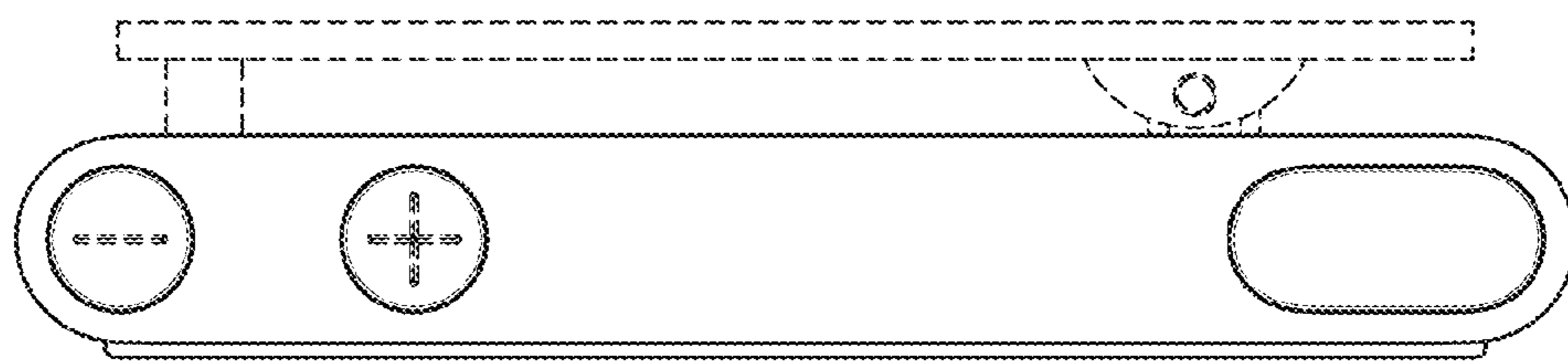


FIG. 8

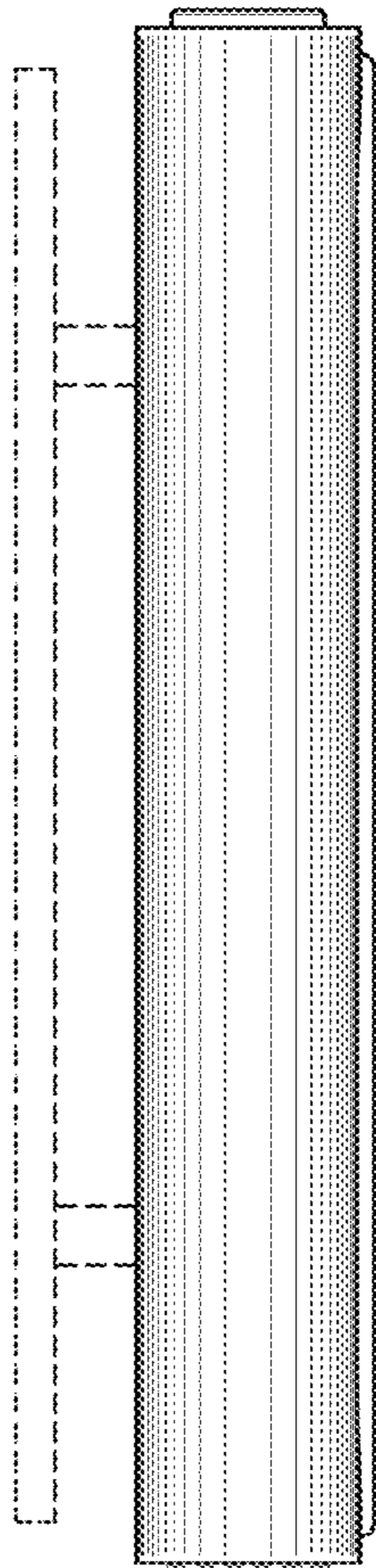


FIG. 9

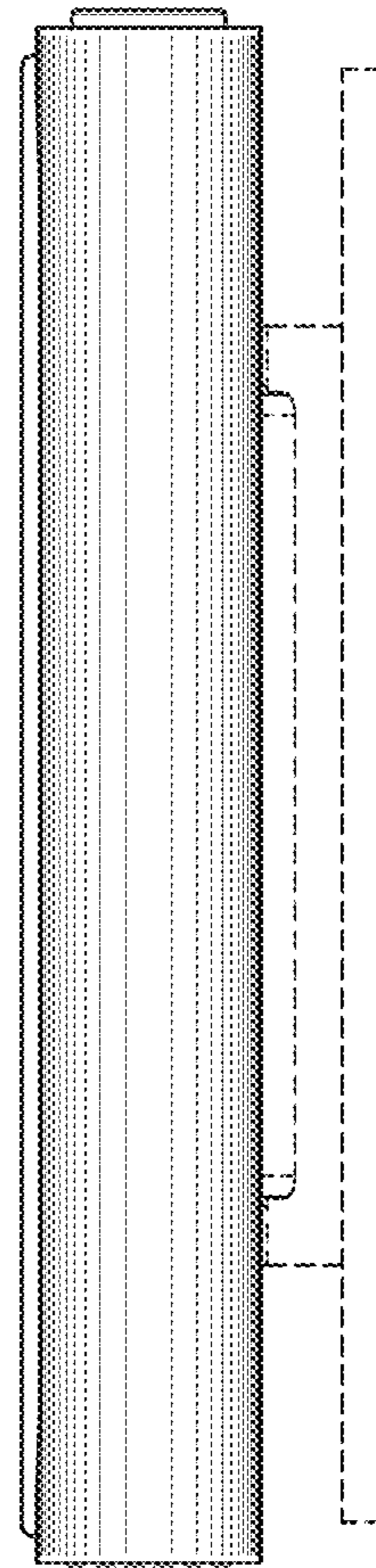


FIG. 10