



US00D678300S

(12) **United States Design Patent**
Groene et al.

(10) **Patent No.:** **US D678,300 S**
(45) **Date of Patent:** **** Mar. 19, 2013**

(54) **INPUT DEVICE FOR AN ELECTRONIC
TABLET**

(75) Inventors: **Ralf Groene**, Kirkland, WA (US); **Hua Wang**, Sammamish, WA (US); **James Alec Ishihara**, Bellevue, WA (US); **Anthony Reed**, Sammamish, WA (US)

(73) Assignee: **Microsoft Corporation**, Redmond, WA (US)

(**) Term: **14 Years**

(21) Appl. No.: **29/422,122**

(22) Filed: **May 16, 2012**

(51) **LOC (9) Cl.** **14-02**

(52) **U.S. Cl.** **D14/455**

(58) **Field of Classification Search** D14/240,
D14/391-399, 443, 455, 456, 433; D18/1,
D18/2, 7, 11; 178/17 A, 17 C; 200/5 A,
200/5 R, 6 A, 6 R; 235/145 A, 145 R; 341/20-23;
345/156, 160, 168, 169, 173, 700; 361/679.08,
361/679.09; 400/484-489, 492, 472; D13/123,
D13/133

See application file for complete search history.

(56) **References Cited**

U.S. PATENT DOCUMENTS

| | | | | |
|----------------|---------|-----------------|-------|---------|
| D319,632 S * | 9/1991 | Heimbürger | | D14/398 |
| D365,334 S * | 12/1995 | Peart | | D14/422 |
| D386,754 S * | 11/1997 | Gifford et al. | | D14/396 |
| 5,793,359 A * | 8/1998 | Ushikubo | | 345/169 |
| 6,129,270 A * | 10/2000 | Piazza | | 235/379 |
| 6,312,175 B1 * | 11/2001 | Lum | | 400/472 |
| 6,439,785 B1 | 8/2002 | Liu | | |
| D462,354 S | 9/2002 | Kimbré | | |
| 6,882,524 B2 | 4/2005 | Ulla | | |
| 6,947,031 B2 | 9/2005 | Sandbach | | |
| D516,080 S | 2/2006 | Sakamoto et al. | | |
| D517,068 S | 3/2006 | Sakamoto et al. | | |
| D517,552 S | 3/2006 | Sakamoto et al. | | |

| | | | | |
|--------------|---------|-----------------|-------|---------|
| D521,513 S * | 5/2006 | Neal et al. | | D14/392 |
| D522,013 S | 5/2006 | Sakamoto et al. | | |
| 7,102,614 B2 | 9/2006 | Sandbach | | |
| 7,154,452 B2 | 12/2006 | Nakamura | | |
| D537,831 S * | 3/2007 | Steiner et al. | | D14/456 |
| D544,490 S * | 6/2007 | O'Neil | | D14/455 |
| D544,862 S | 6/2007 | Amiri | | |
| 7,342,776 B1 | 3/2008 | Chan | | |
| D567,240 S | 4/2008 | Griffin | | |
| 7,440,267 B2 | 10/2008 | Tatsukami | | |
| D584,304 S | 1/2009 | Lin | | |
| D603,398 S | 11/2009 | Watson | | |
| D638,833 S | 5/2011 | Chuang | | |
| D638,836 S | 5/2011 | Daniel | | |
| D650,380 S | 12/2011 | Ballout | | |
| D653,665 S | 2/2012 | Maruyama | | |
| D658,186 S | 4/2012 | Akana et al. | | |
| D658,187 S | 4/2012 | Diebel | | |
| D658,188 S | 4/2012 | Diebel | | |

(Continued)

FOREIGN PATENT DOCUMENTS

EM 001911983 2/2011

Primary Examiner — Freda S Nunn

(74) *Attorney, Agent, or Firm* — Banner & Witcoff, Ltd.

(57) **CLAIM**

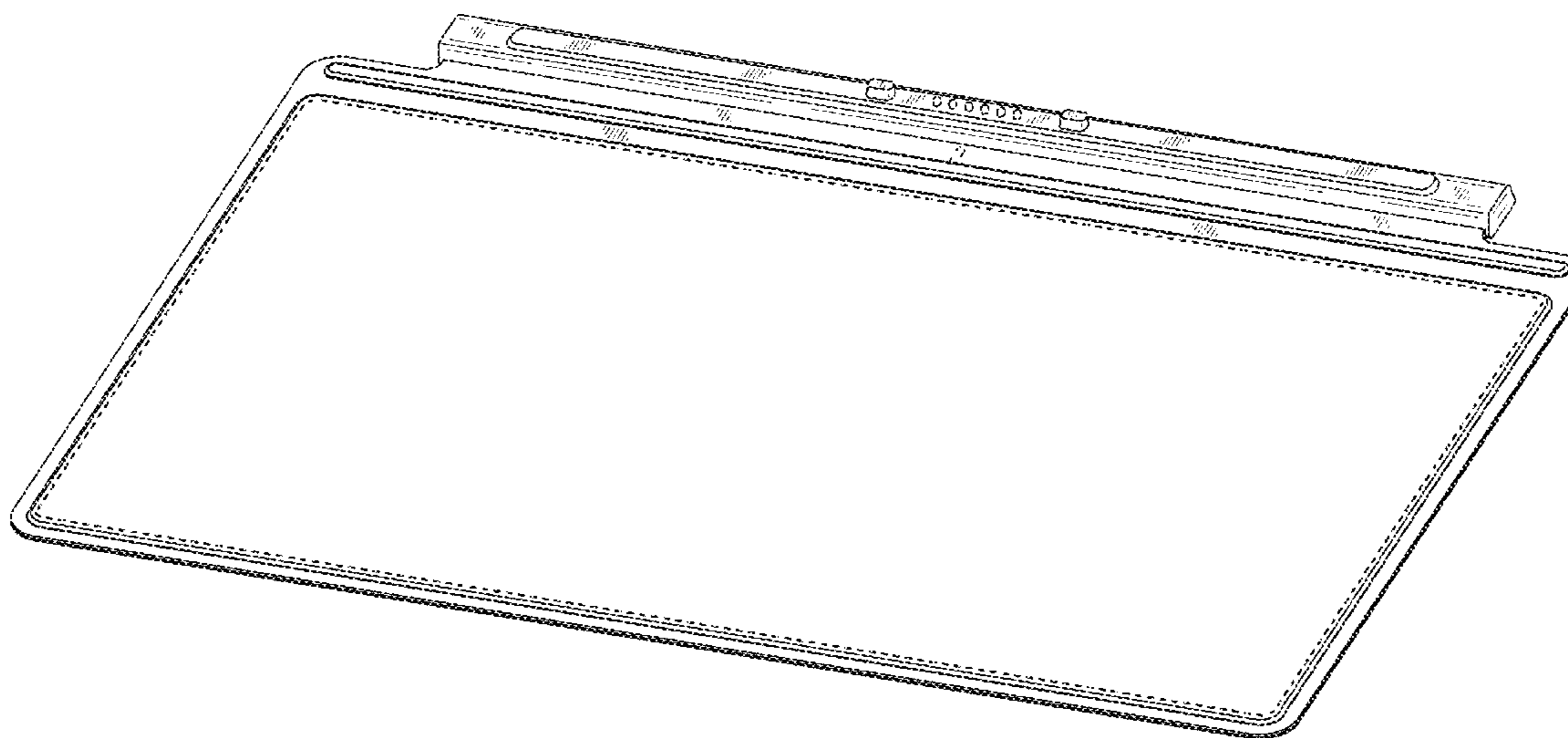
The ornamental design for an input device for an electronic tablet, as shown and described.

DESCRIPTION

FIG. 1 is a top isometric view of an input device for an electronic tablet showing our new design; FIG. 2 is a top view thereof; FIG. 3 is a left side view thereof; FIG. 4 is a right side view thereof; FIG. 5 is a rear view thereof; and, FIG. 6 is a front view thereof.

The broken line showing of various features on the input device for an electronic tablet in FIGS. 1-6 are for environmental purposes only and form no part of the claimed design.

1 Claim, 3 Drawing Sheets



US D678,300 S

Page 2

U.S. PATENT DOCUMENTS

D659,139 S 5/2012 Gengler
D663,304 S 7/2012 Akana et al.
D669,069 S 10/2012 Akana et al.
D669,468 S 10/2012 Akana et al.
D670,286 S 11/2012 Akana et al.

2005/0052831 A1 3/2005 Chen
2007/0097087 A1 5/2007 Homer
2012/0140396 A1 6/2012 Zelif
2012/0194448 A1 8/2012 Rothkopf

* cited by examiner

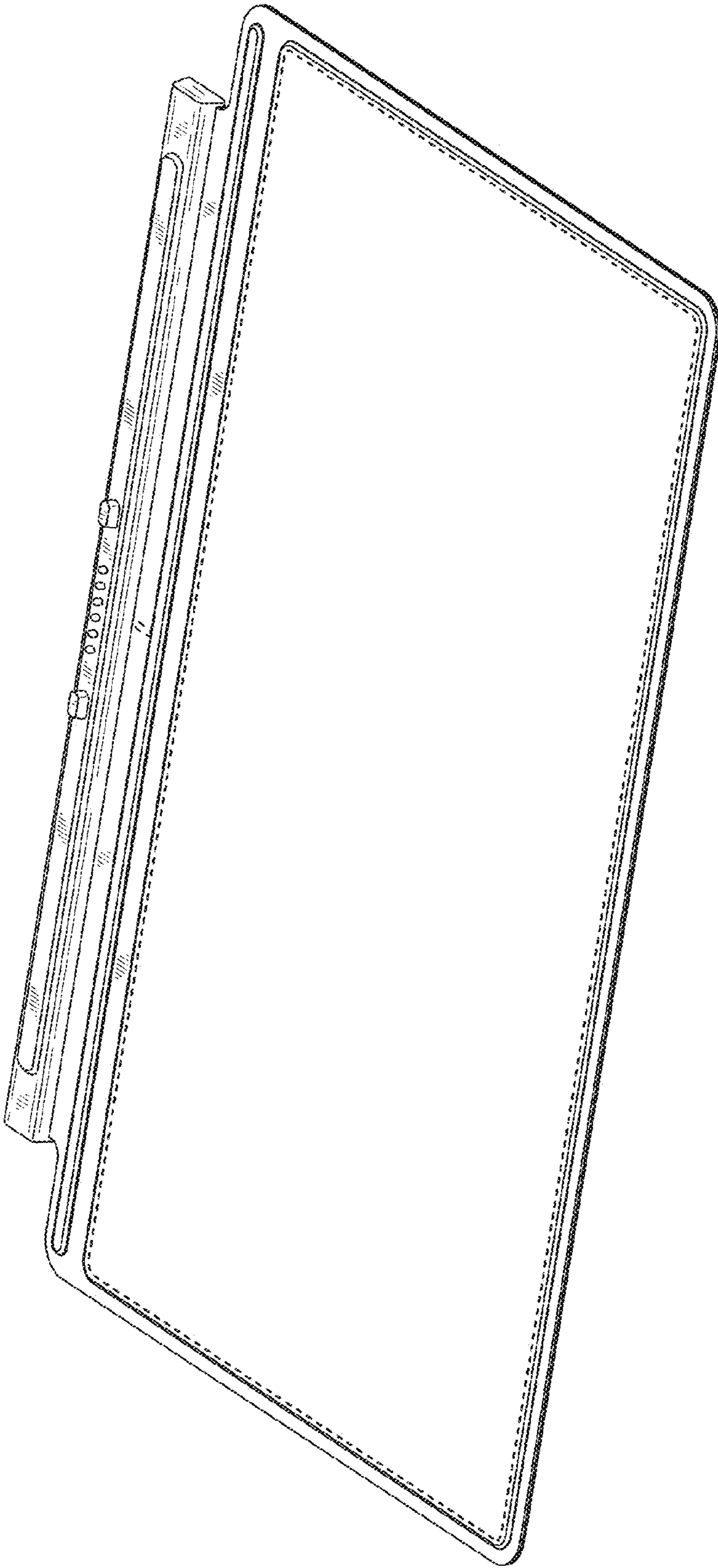


FIG. 1

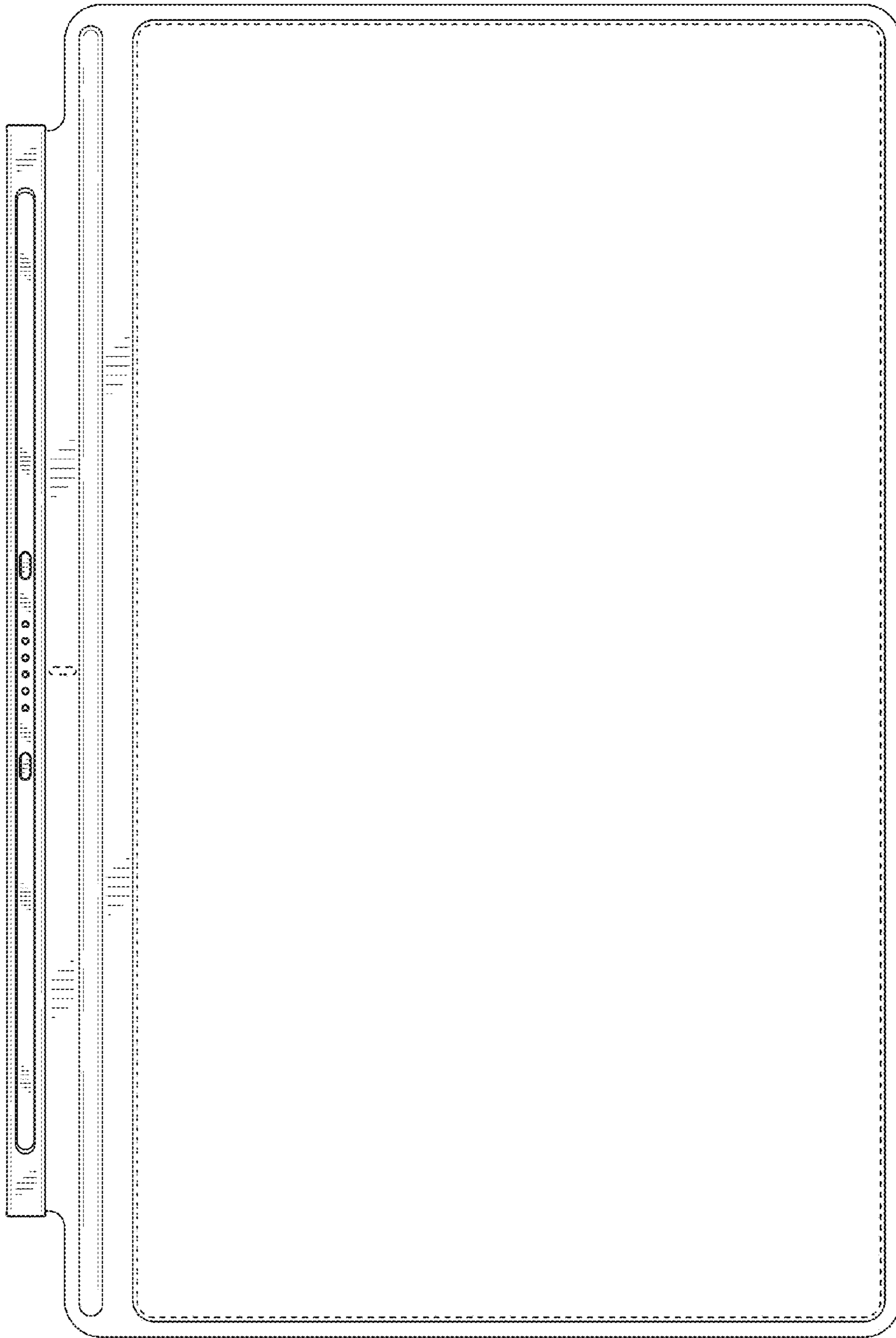


FIG. 2



FIG. 3

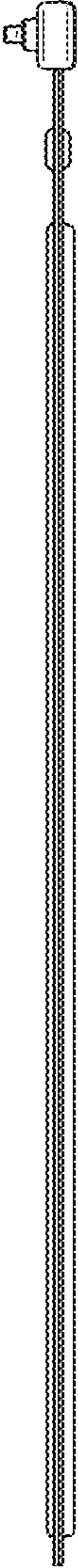


FIG. 4

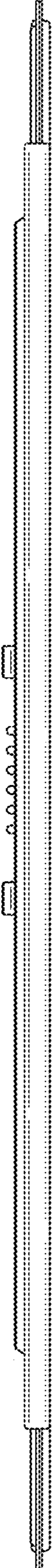


FIG. 5



FIG. 6