



US00D678299S

(12) **United States Design Patent**  
**Kadivar et al.**

(10) **Patent No.:** **US D678,299 S**  
(45) **Date of Patent:** **\*\* Mar. 19, 2013**

(54) **WALL MOUNTING BRACKET FOR A VIDEO CONFERENCE SYSTEM ENDPOINT**

(74) *Attorney, Agent, or Firm* — Edell, Shapiro & Finnan, LLC

(75) Inventors: **Mohammad Reza Danesh Kadivar**, Santa Clara, CA (US); **Peter Alf Joakim Fornell**, San Jose, CA (US); **Nancy Gayed**, Redwood City, CA (US)

(57) **CLAIM**  
The ornamental design for a wall mounting bracket for a video conference system endpoint, as shown and described.

(73) Assignee: **Cisco Technology, Inc.**, San Jose, CA (US)

**DESCRIPTION**

(\*\*) Term: **14 Years**

(21) Appl. No.: **29/418,152**

(22) Filed: **Apr. 12, 2012**

(51) **LOC (9) Cl.** ..... **08-07**

(52) **U.S. Cl.** ..... **D14/452**

(58) **Field of Classification Search** ..... D14/126, D14/224, 229, 253, 316, 375, 376, 377, 432, D14/439, 447, 451, 452, 457; D8/306, 363, D8/373, 380; D18/59; 180/332; 248/118.3, 248/218.11, 225.11, 274.1, 276.1, 278.1, 248/279.1, 280.11, 282.1, 917, 919; 348/373; 403/110; 439/345

See application file for complete search history.

FIG. 1 is a front, right perspective view from above of a wall mounting bracket for a video conference system endpoint according to the present invention;  
FIG. 2 is a front, right perspective view from above of the wall mounting bracket of FIG. 1 where the wall mounting bracket is shown in a bent mounting configuration;  
FIG. 3 is front, right perspective view from above of the wall mounting bracket of FIG. 1 where the wall mounting bracket is shown in another bent mounting configuration;  
FIG. 4 is front, right perspective view from above of the wall mounting bracket of FIG. 1 where the wall mounting bracket is shown in a still other bent mounting configuration;  
FIG. 5 is a top plan view of the wall mounting bracket of FIG. 1;  
FIG. 6 is a bottom plan view of the wall mounting bracket of FIG. 1;  
FIG. 7 is a front elevation view of the wall mounting bracket of FIG. 1;  
FIG. 8 is a rear elevation view of the wall mounting bracket of FIG. 1;  
FIG. 9 is a right side elevation view of the wall mounting bracket of FIG. 1;  
FIG. 10 is a left side elevation view of the wall mounting bracket of FIG. 1; and,  
FIG. 11 is a front, left perspective view of the wall mounting bracket shown in use with a video display and a video conference system endpoint.

Any portions shown in phantom are for illustrative purposes only and form no part of the claimed design.

(56) **References Cited**

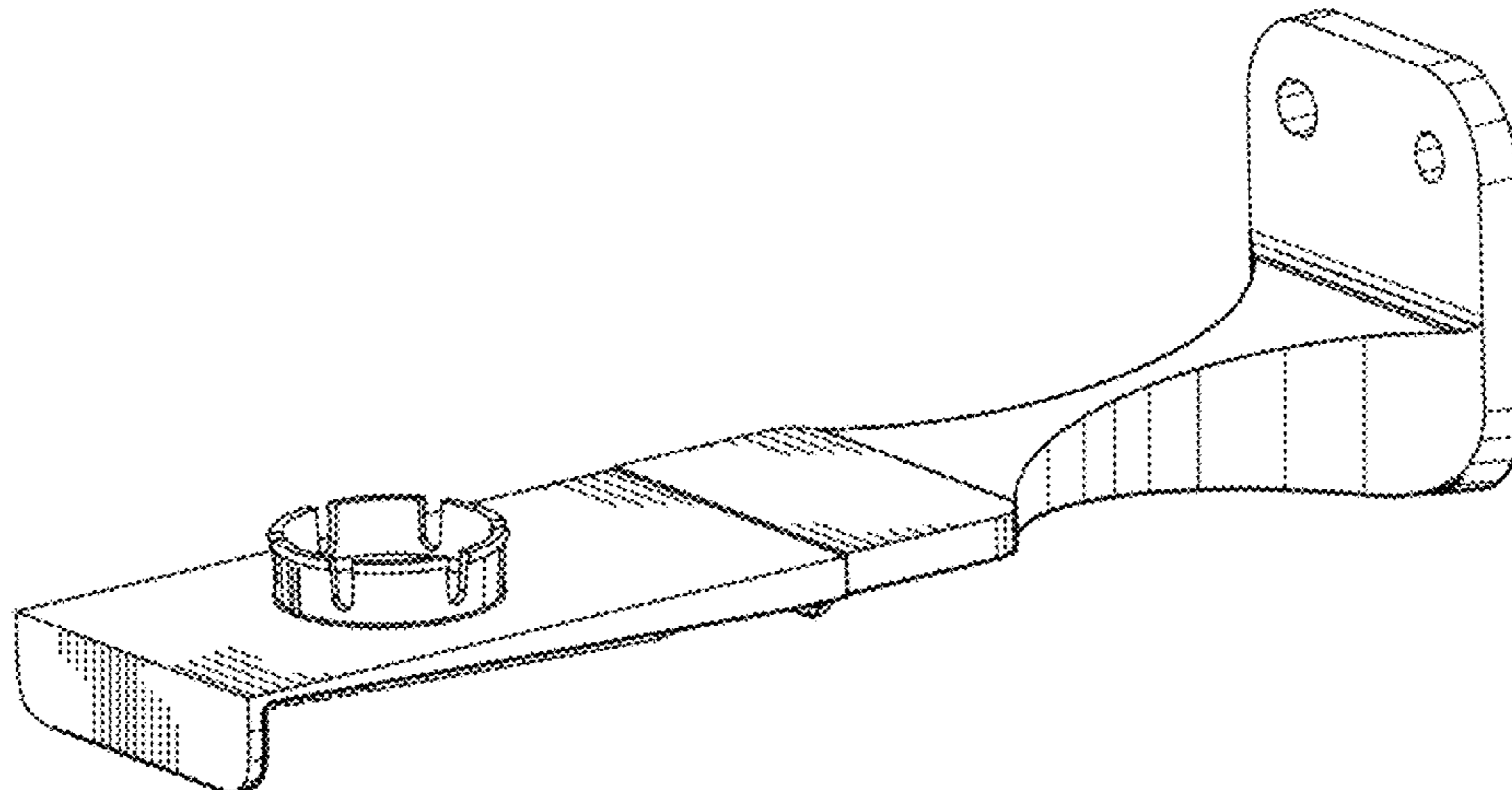
**U.S. PATENT DOCUMENTS**

D491,574 S *	6/2004	Hung	.....	D14/452
D539,293 S *	3/2007	May et al.	.....	D14/452
D640,913 S	7/2011	Goulden et al.		
D651,199 S *	12/2011	Huang	.....	D14/239
D655,297 S *	3/2012	Magnusson	.....	D14/452
D660,845 S *	5/2012	Schmauch et al.	.....	D14/452
D666,207 S *	8/2012	Brandt	.....	D14/452
2004/0014349 A1 *	1/2004	Oddsens, Jr.	.....	439/345

\* cited by examiner

*Primary Examiner* — Cynthia Ramirez

**1 Claim, 11 Drawing Sheets**



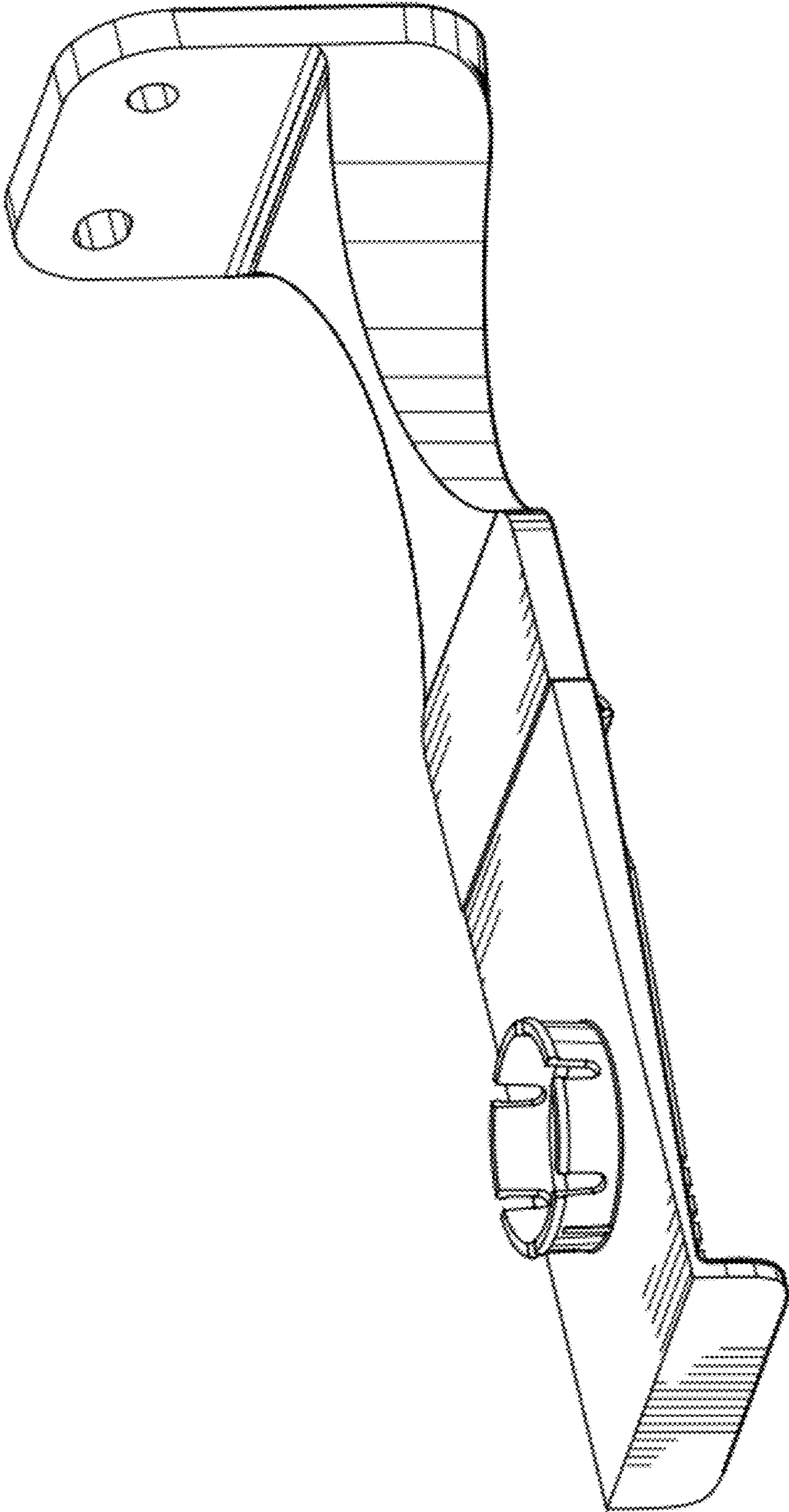


FIG. 1

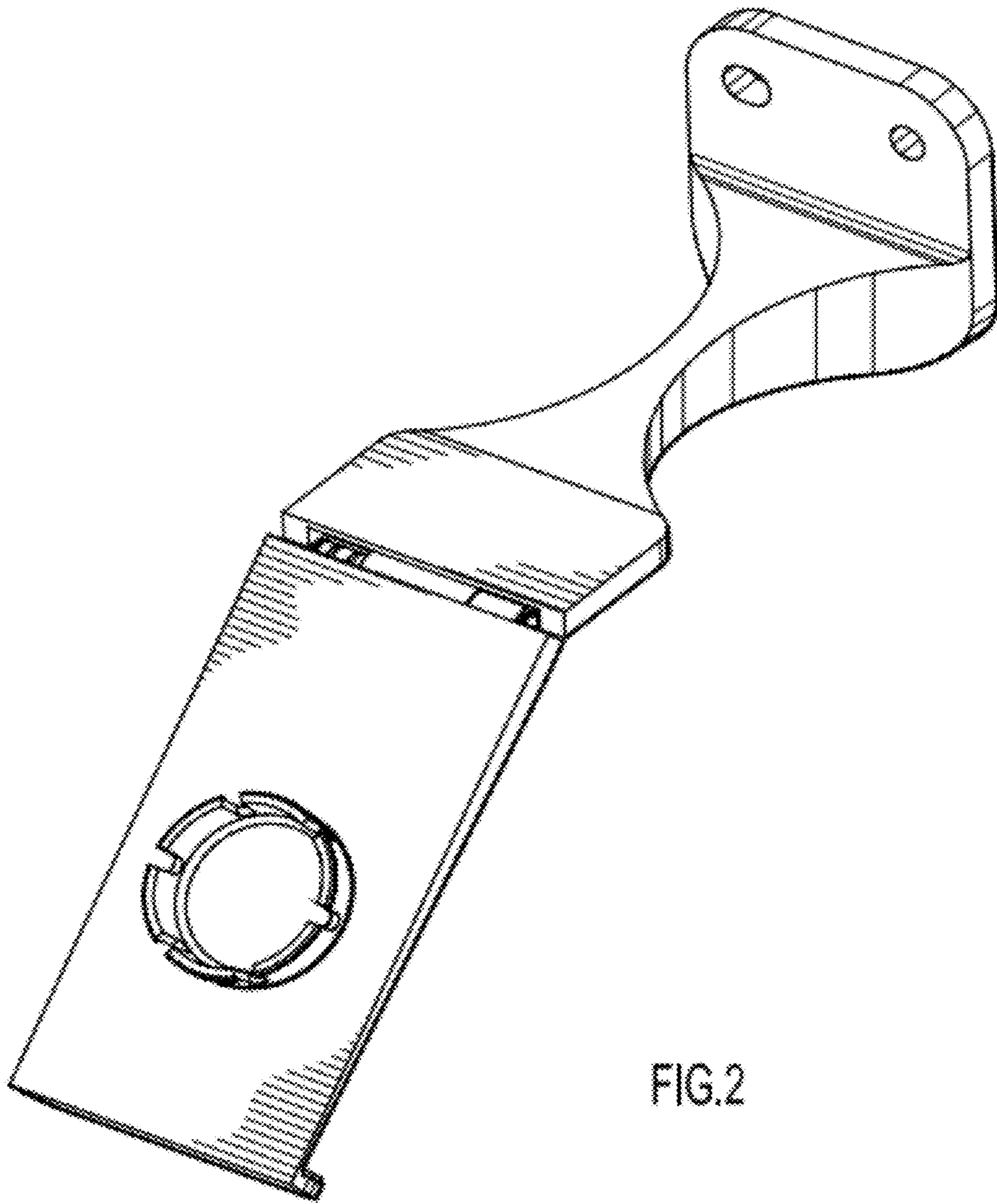


FIG. 2

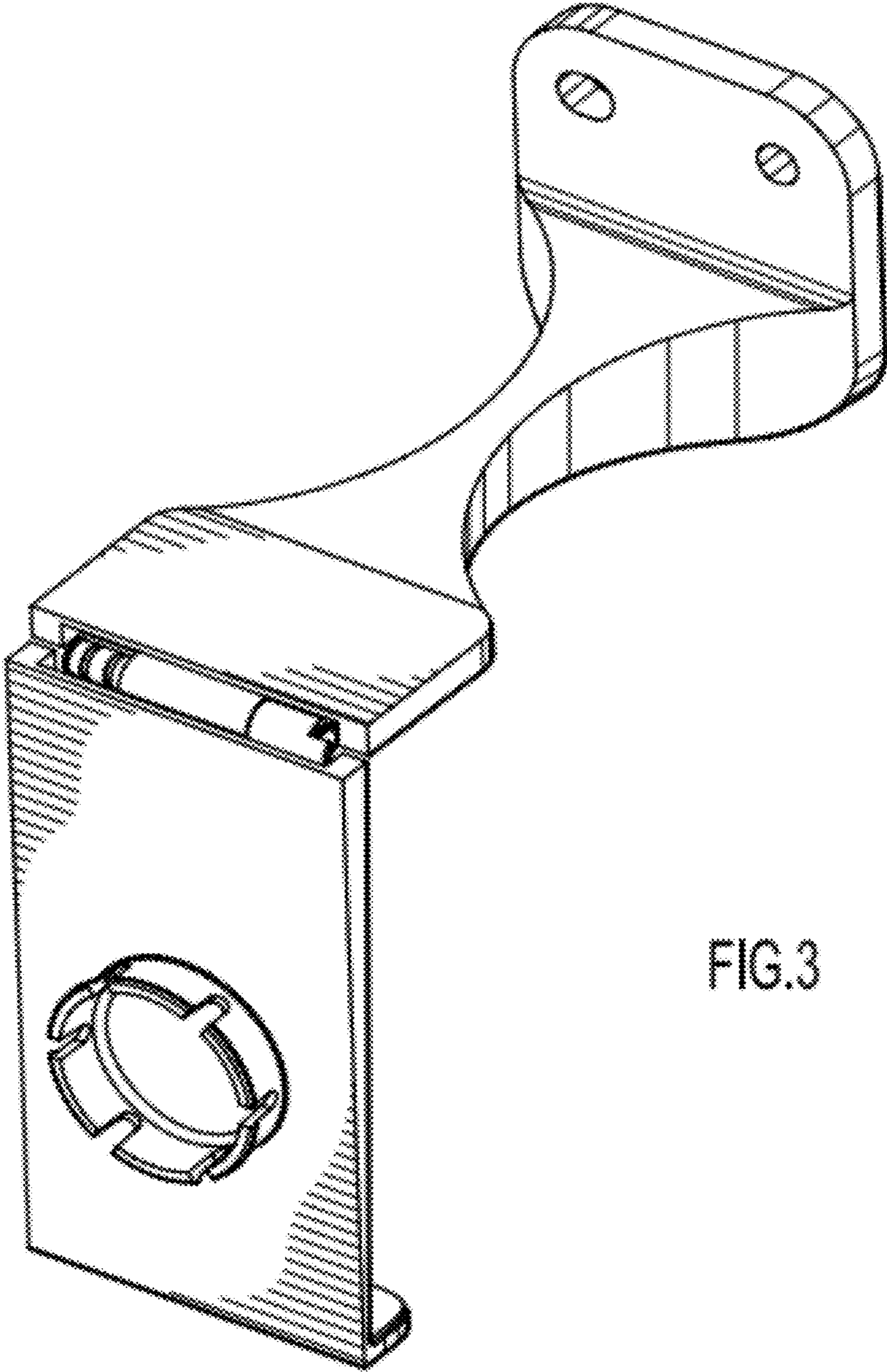


FIG.3

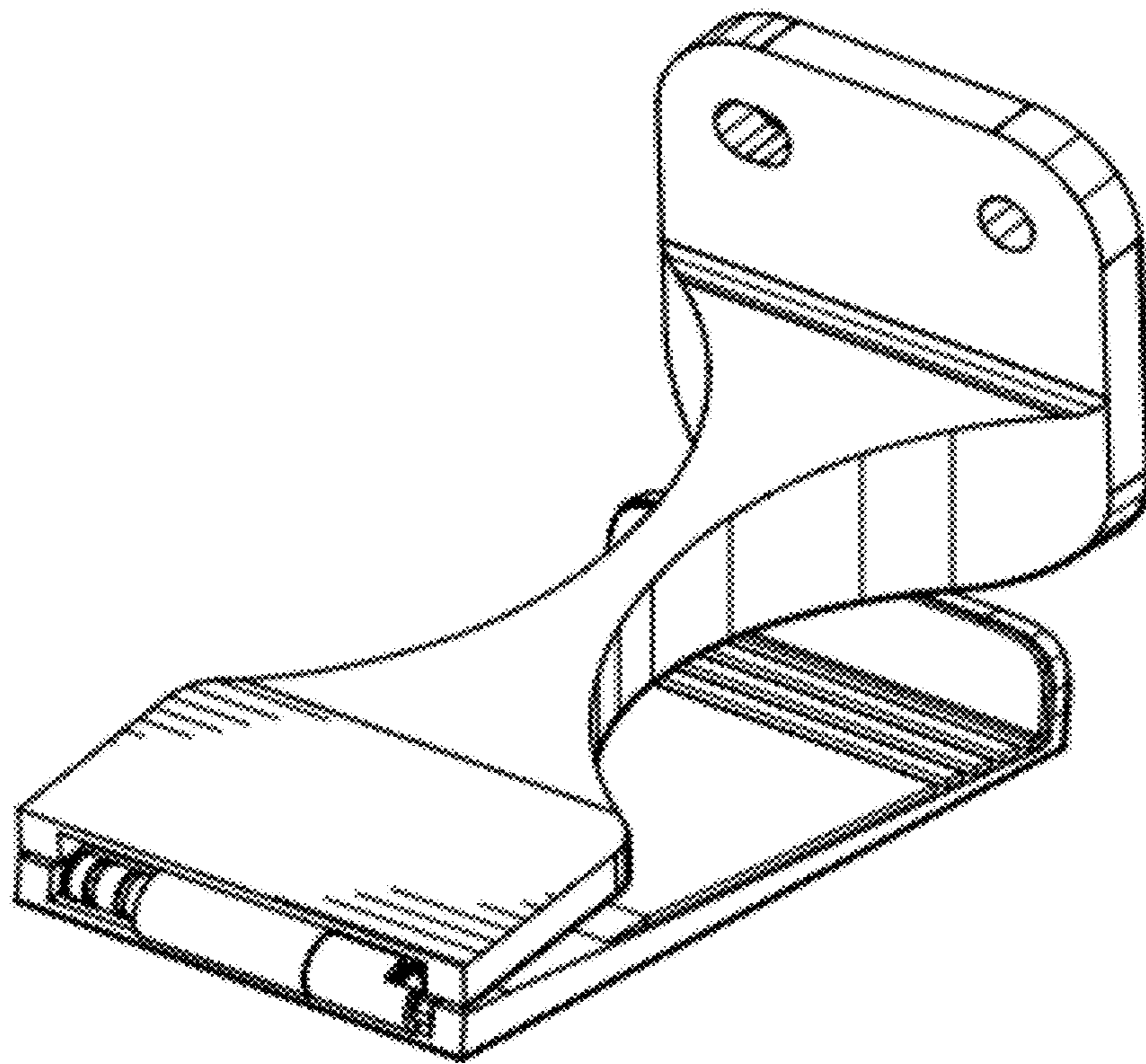


FIG.4

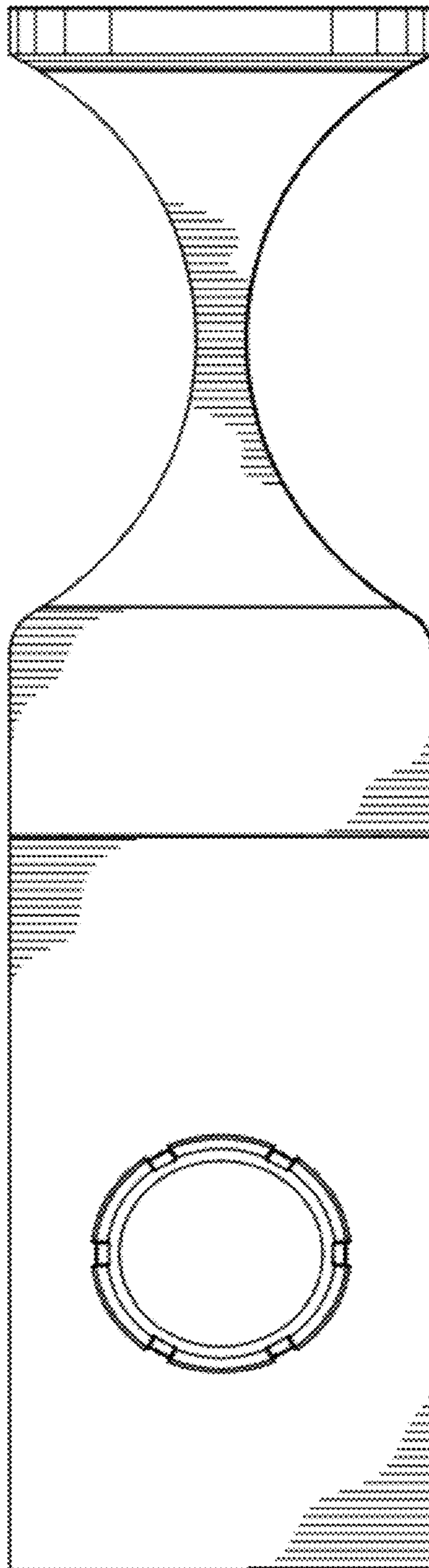


FIG. 5

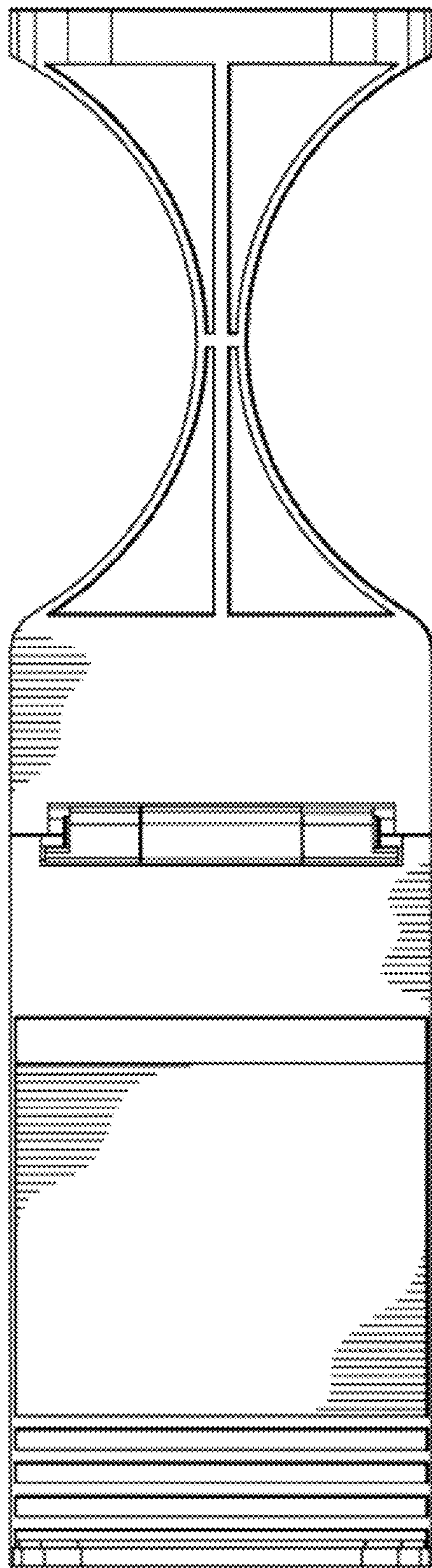


FIG.6

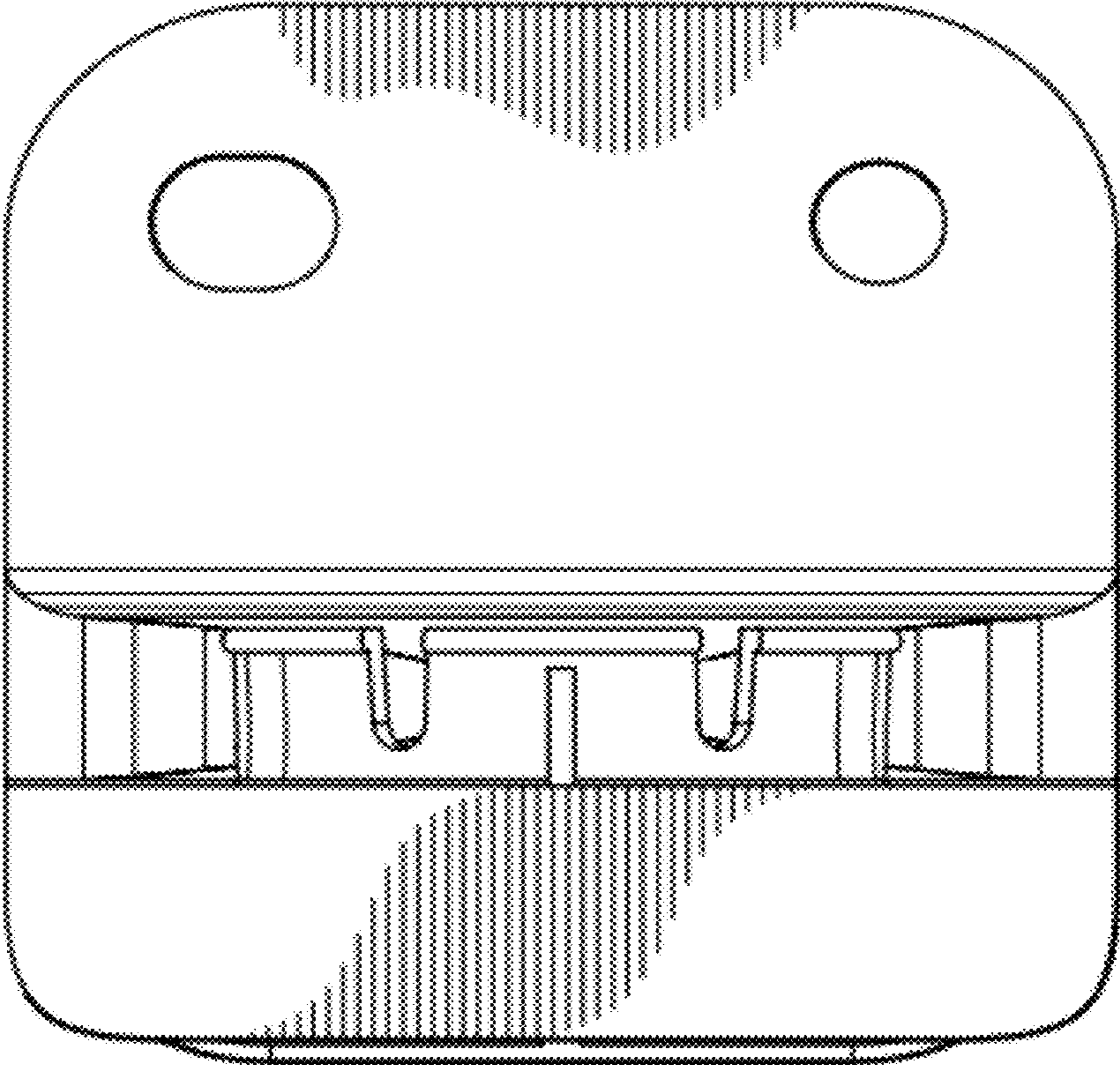


FIG.7



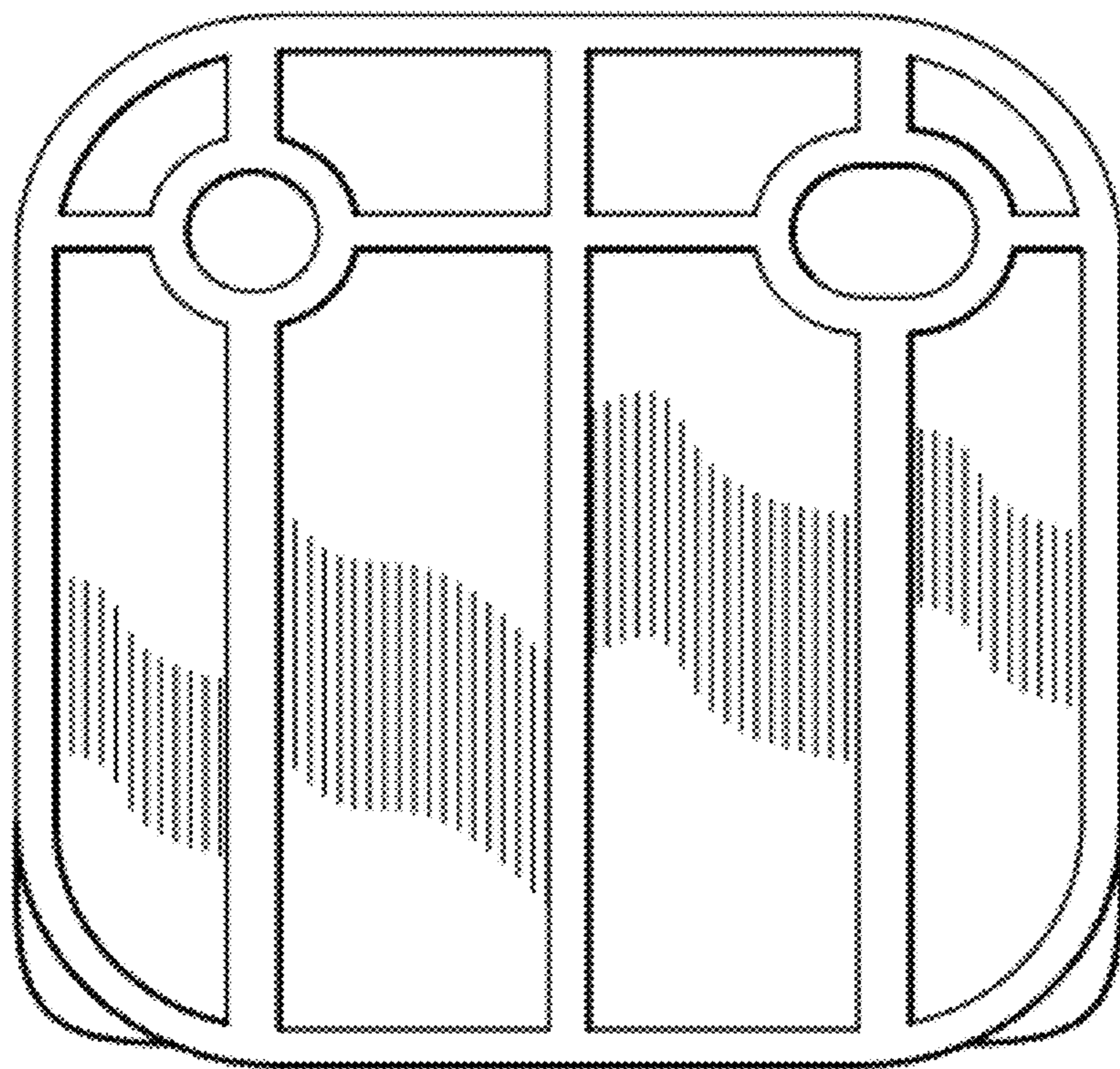


FIG.8

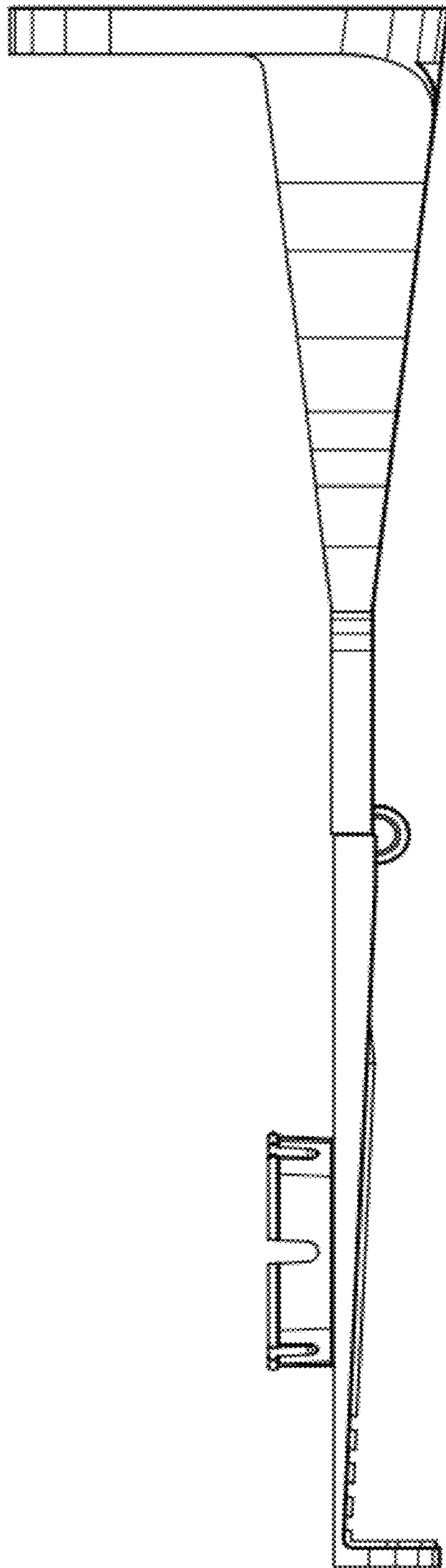


FIG.9

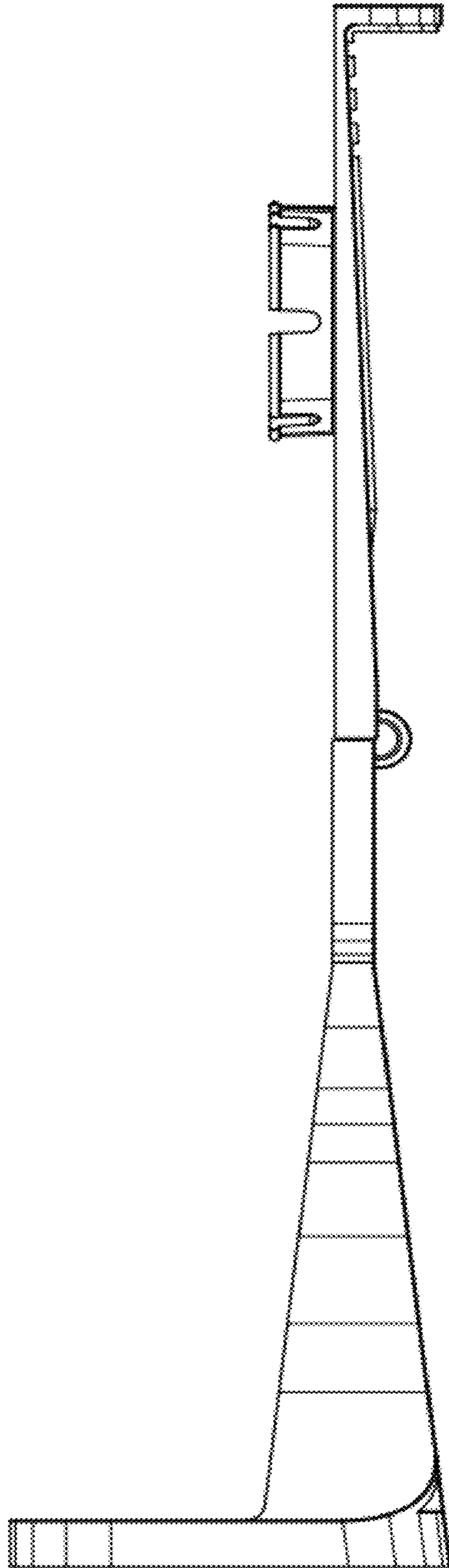


FIG.10

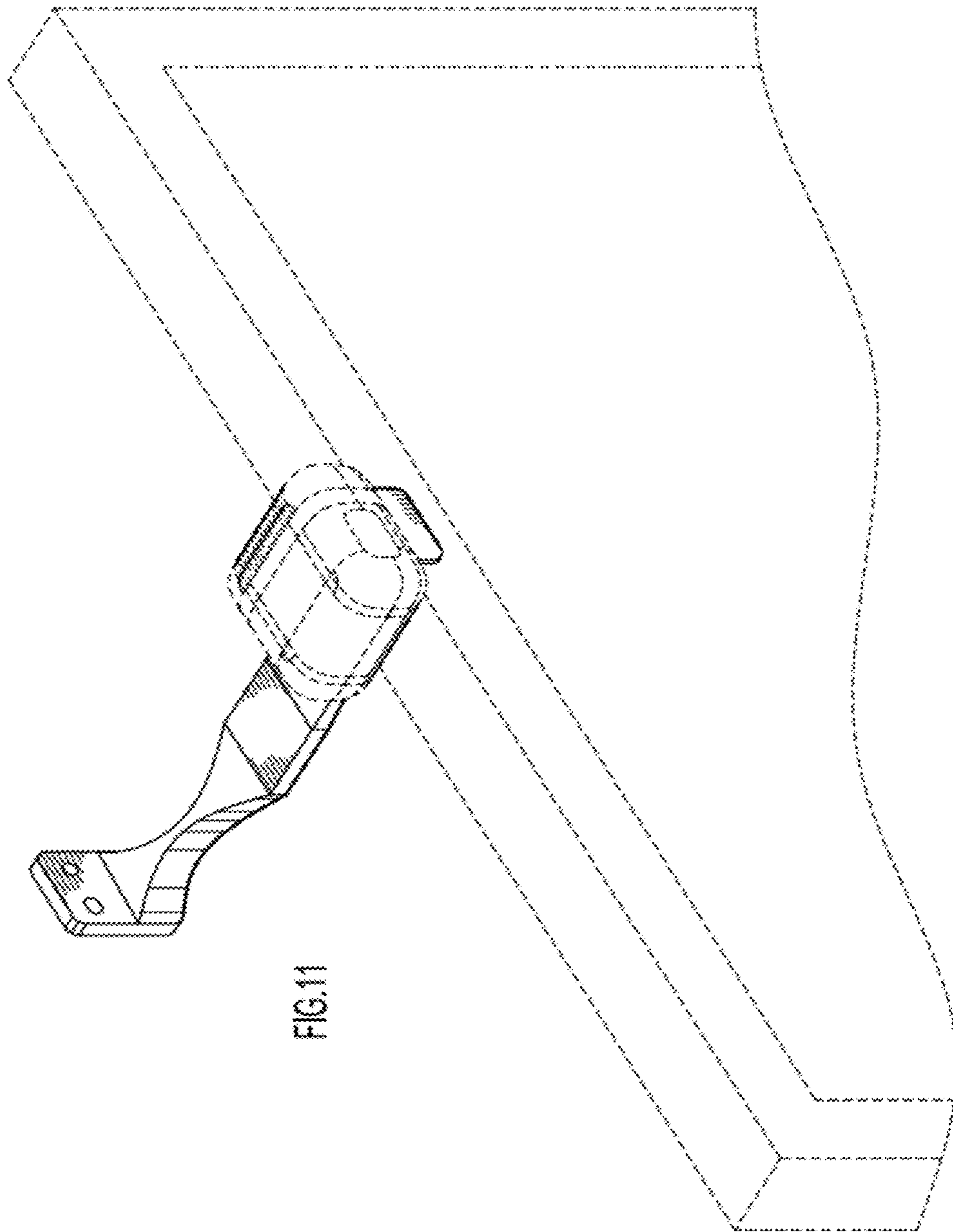


FIG.11