



US00D678298S

(12) **United States Design Patent**
Burridge

(10) **Patent No.:** **US D678,298 S**
(45) **Date of Patent:** **** Mar. 19, 2013**

(54) **HOLDER FOR A PORTABLE COMPUTING DEVICE**

(76) Inventor: **Michael Delmar Burridge**, Santa Barbara, CA (US)

(**) Term: **14 Years**

(21) Appl. No.: **29/426,555**

(22) Filed: **Jul. 6, 2012**

(51) **LOC (9) Cl.** **08-07**

(52) **U.S. Cl.** **D14/447**

(58) **Field of Classification Search** D14/447,
D14/448, 451, 452, 440, 432, 434, 439, 457,
D14/238.1, 217, 251, 252, 253, 239, 250;
D6/406.3, 406.4, 406.5, 406.6; 361/679.09,
361/679.26, 679.27, 679.28, 679.29, 679.3,
361/679.55, 679.56; 248/917-924, 133,
248/136, 139, 150, 176.1, 188.6, 288.31;
D13/108

See application file for complete search history.

(56) **References Cited**

U.S. PATENT DOCUMENTS

D414,166 S *	9/1999	De Paris	D14/447
D558,192 S *	12/2007	Daly et al.	D14/251
D558,774 S *	1/2008	Najima	D14/447
D579,455 S *	10/2008	Chu	D14/447
D583,821 S *	12/2008	Richter	D14/447
D590,833 S *	4/2009	O'Connor	D14/447
D622,274 S *	8/2010	Green	D14/447
D626,129 S *	10/2010	Lutz	D14/447
D651,606 S *	1/2012	Luijben	D14/447

D652,042 S *	1/2012	Sween et al.	D14/447
D653,668 S *	2/2012	Song et al.	D14/447
D661,308 S *	6/2012	Capozzoli, II	D14/447
D667,012 S *	9/2012	Chen et al.	D14/447

* cited by examiner

Primary Examiner — Angela J Lee

(74) *Attorney, Agent, or Firm* — Loza & Loza LLP

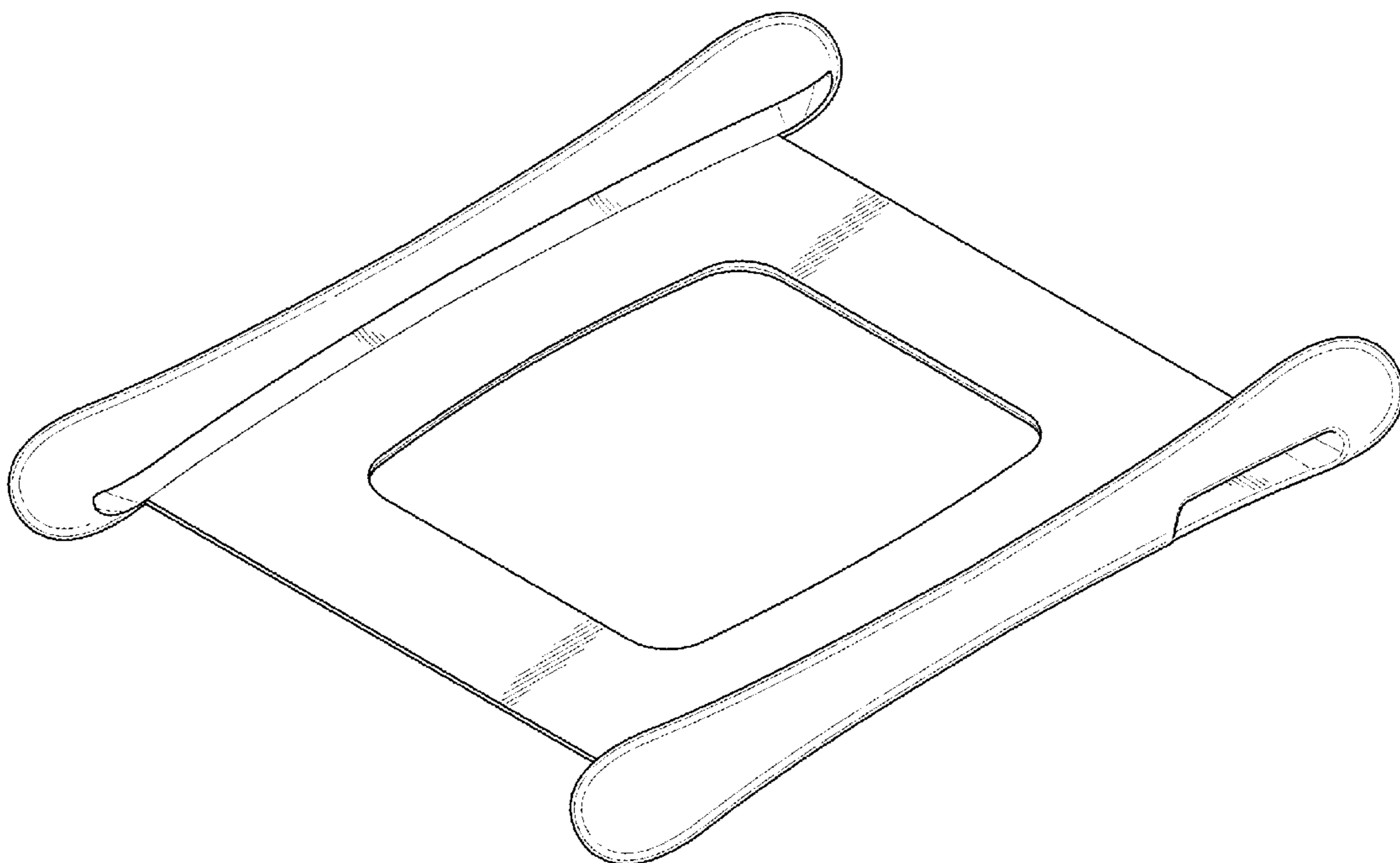
(57) **CLAIM**

The ornamental design of a holder of a portable computing device, as shown and described.

DESCRIPTION

FIG. 1 is a top perspective view of a holder for a portable computing device of the present invention;
 FIG. 2 is a front elevation view of the holder for a portable computing device of FIG. 1;
 FIG. 3 is a back elevation view of the holder for a portable computing device of FIG. 1;
 FIG. 4 is a right elevation view the holder for a portable computing device of FIG. 1;
 FIG. 5 is a left elevation view of the holder for a portable computing device of FIG. 1;
 FIG. 6 is a top plan view of the holder for a portable computing device of FIG. 1; and
 FIG. 7 is a bottom plan view of the holder for a portable computing device of FIG. 1; and,
 FIG. 8 is a top perspective view of the holder for a portable computing device of FIG. 1 with a portable computing device indicated by dashed lines.
 The portable computing device indicated by the dashed lines in FIG. 8 does not form part of the claimed invention.

1 Claim, 6 Drawing Sheets



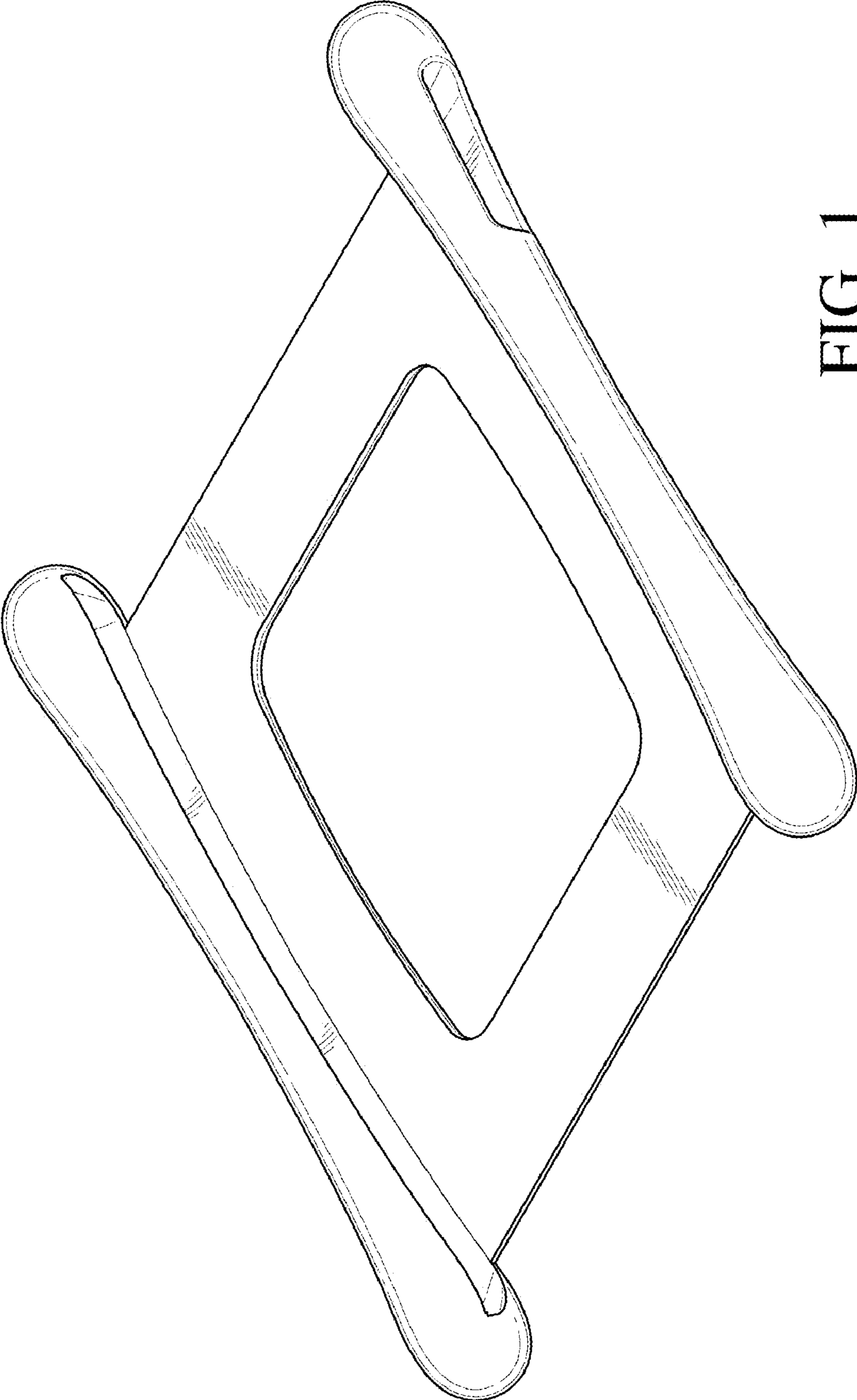


FIG. 1

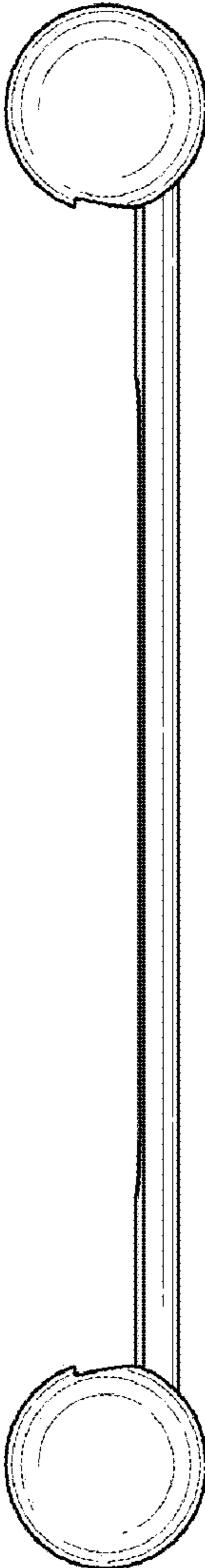


FIG. 2

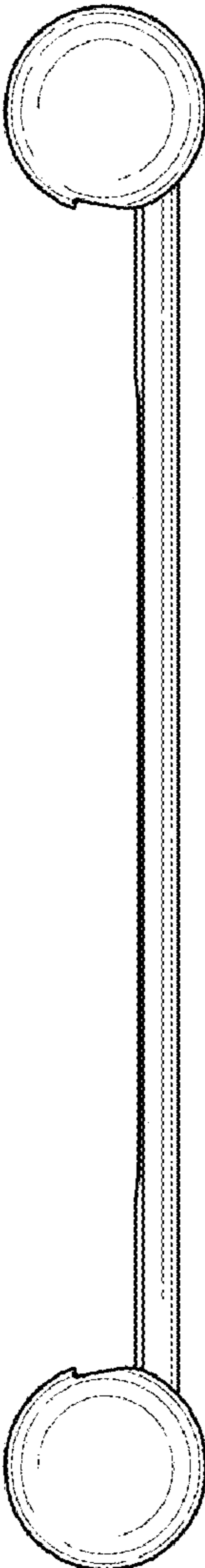


FIG. 3

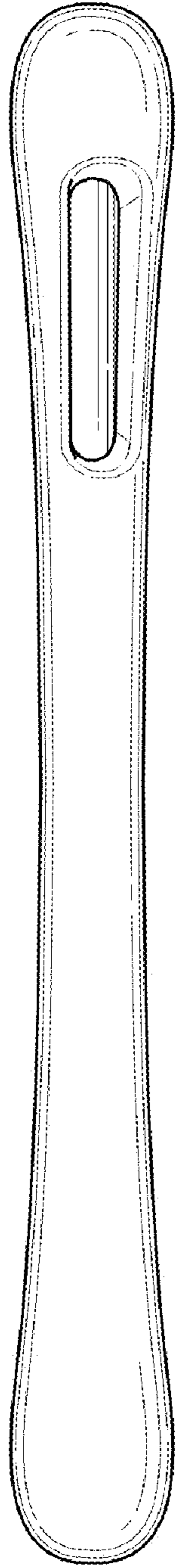


FIG. 4

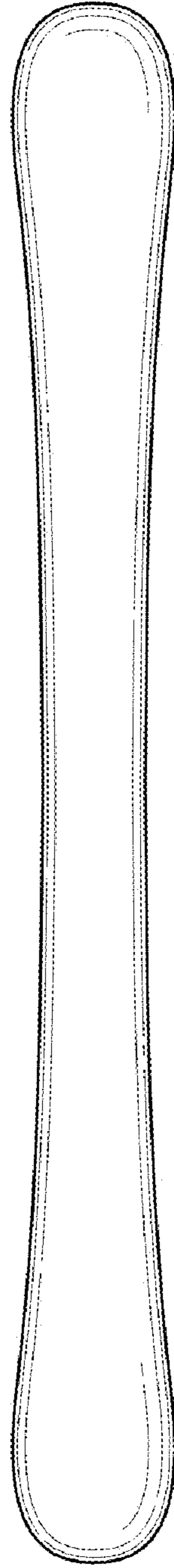


FIG. 5

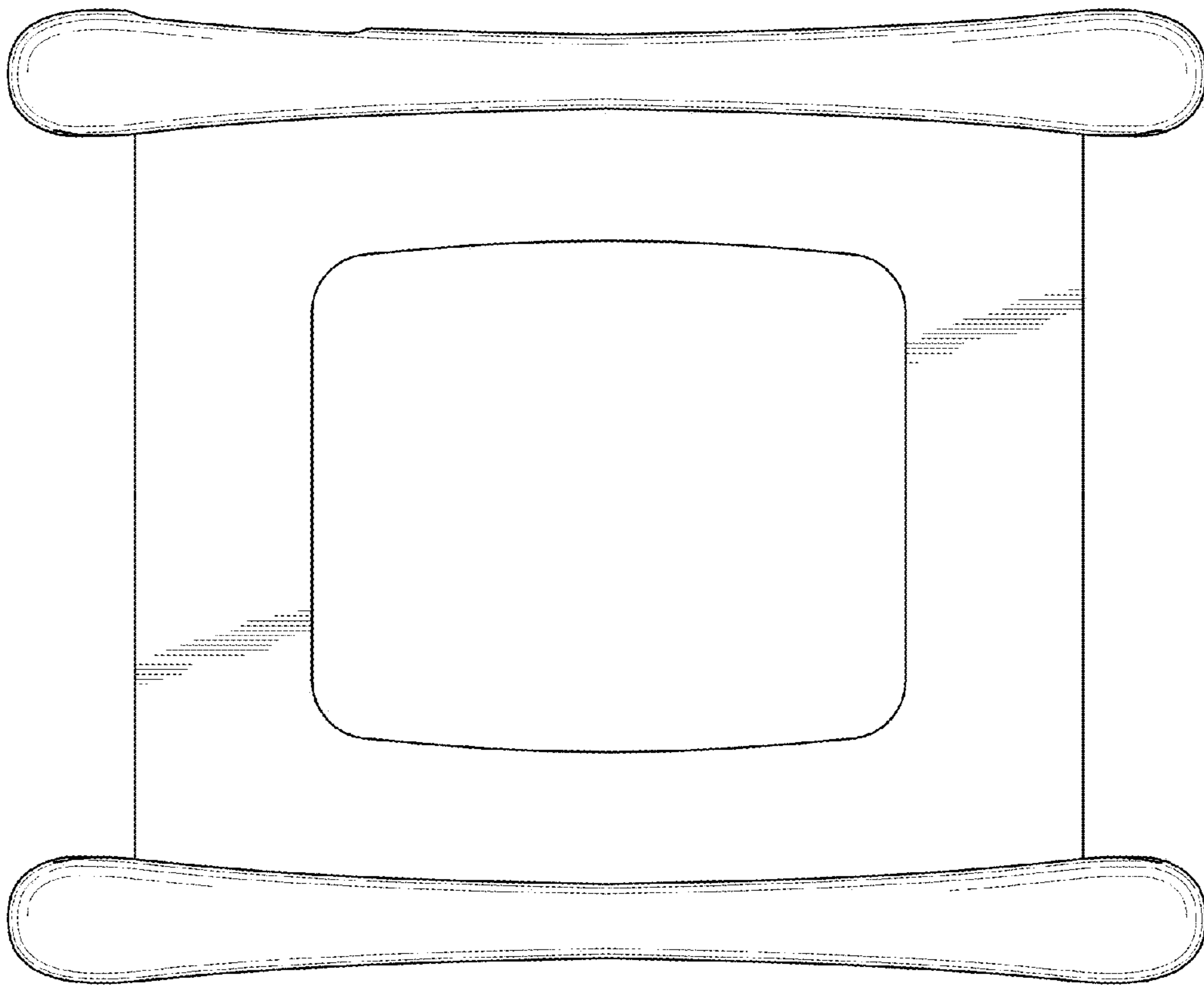


FIG. 6

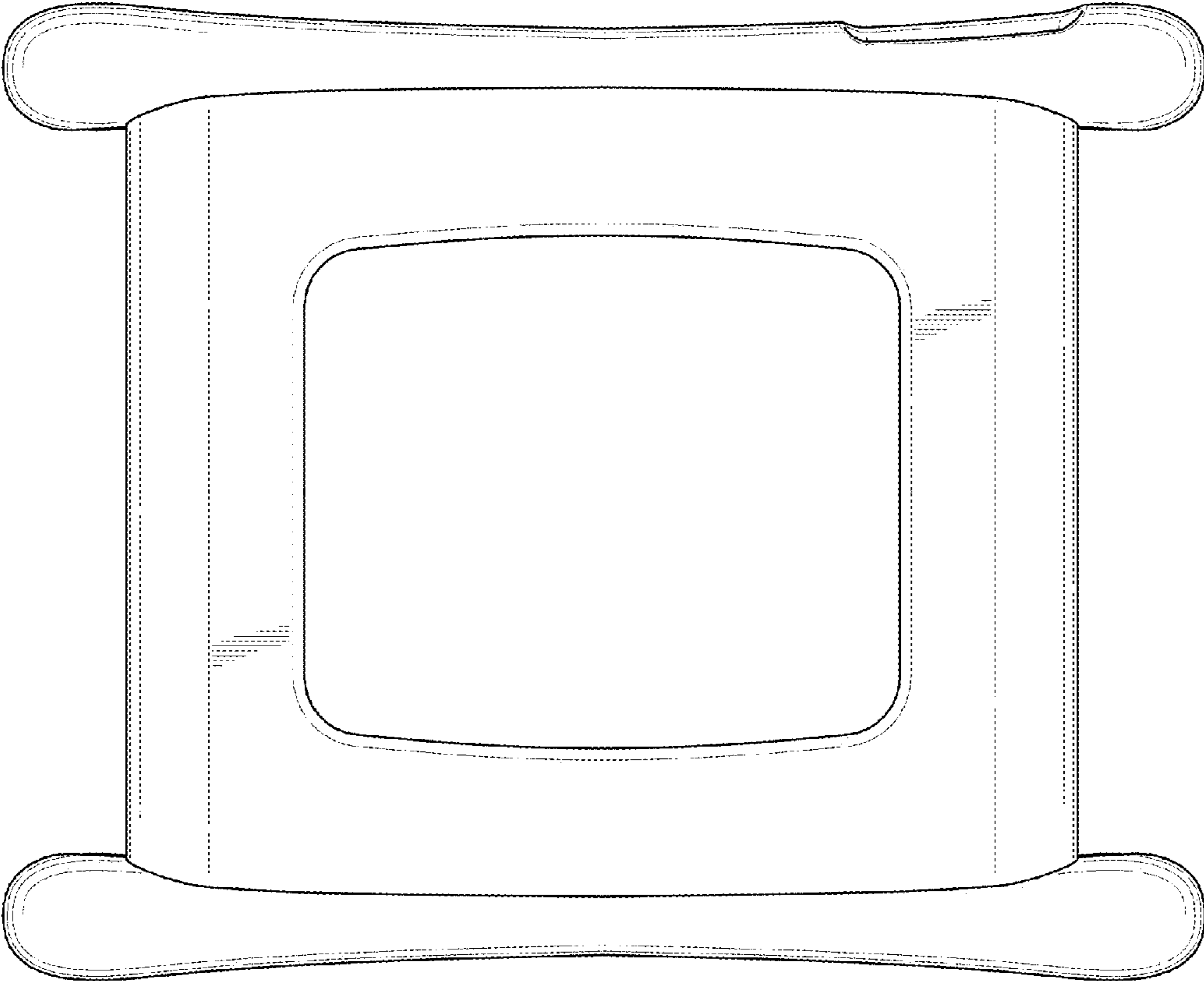


FIG. 7

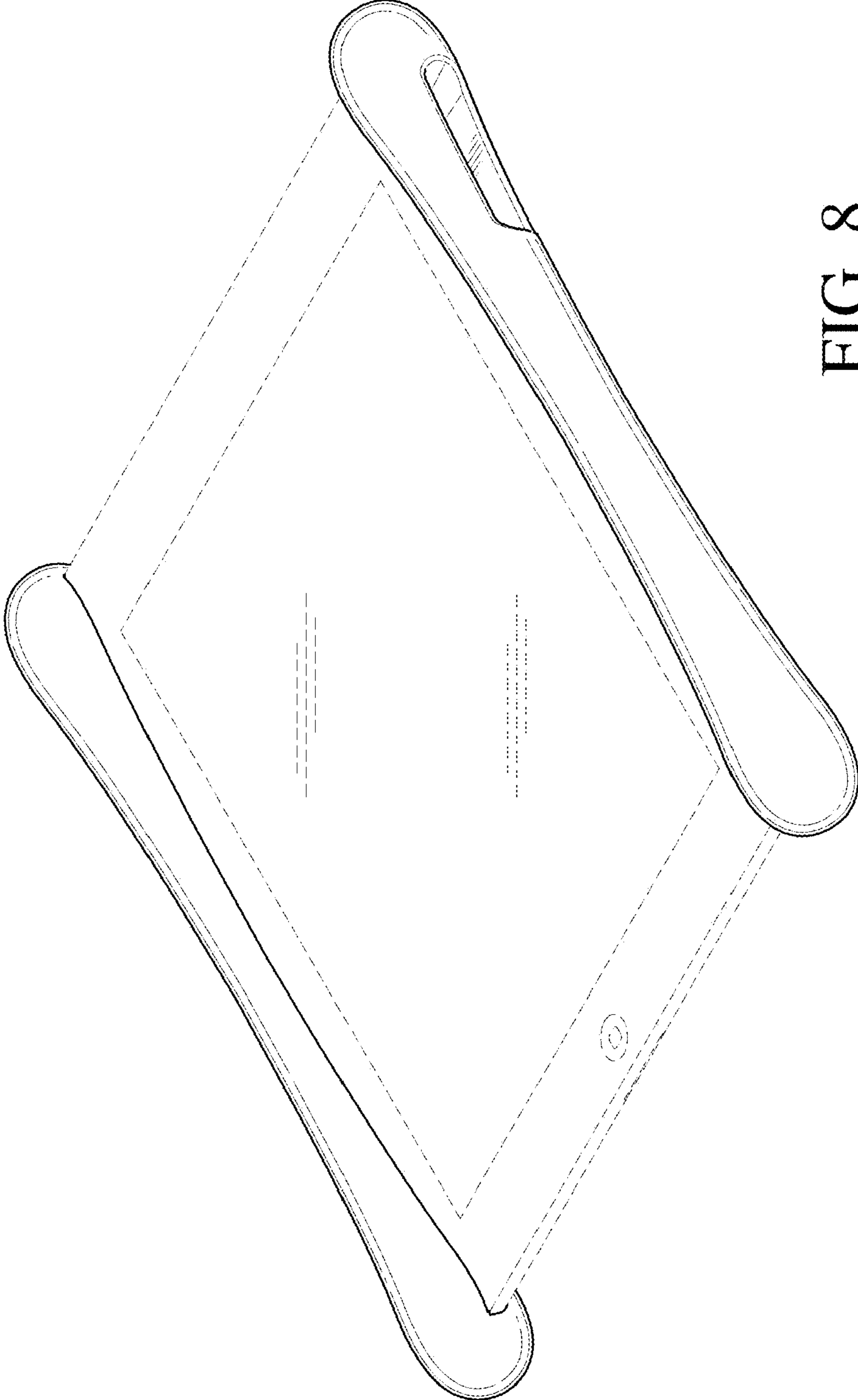


FIG. 8