



US00D678297S

(12) **United States Design Patent**
Willkomm

(10) **Patent No.:** **US D678,297 S**

(45) **Date of Patent:** **** Mar. 19, 2013**

(54) **TABLET PEDESTAL**

(75) **Inventor:** **Therese Marie Willkomm**, Durham,
NH (US)

(73) **Assignee:** **The University of New Hampshire**,
Durham, NH (US)

(**) **Term:** **14 Years**

(21) **Appl. No.:** **29/426,058**

(22) **Filed:** **Jun. 29, 2012**

(51) **LOC (9) Cl.** **08-07**

(52) **U.S. Cl.** **D14/447**

(58) **Field of Classification Search** D14/447,
D14/448, 451, 452, 440, 432, 434, 439, 457,
D14/238.1, 217, 251, 252, 253, 239, 250;
D6/406.3, 406.4, 406.5, 406.6; 361/679.09,
361/679.26, 679.27, 679.28, 679.29, 679.3,
361/679.55, 679.56; 248/917-924, 133,
248/136, 139, 150, 176.1, 188.6, 288.31;
D13/108

See application file for complete search history.

(56) **References Cited**

U.S. PATENT DOCUMENTS

7,209,344 B2 * 4/2007 Hillman et al. 361/679.21
D549,709 S * 8/2007 Richter D14/447
D588,602 S * 3/2009 Chao et al. D14/451
D640,707 S * 6/2011 Yeh D14/447
D650,783 S * 12/2011 Ausfeld et al. D14/434

D658,651 S * 5/2012 Lee et al. D14/452
D660,305 S * 5/2012 Ho et al. D14/447
D669,481 S * 10/2012 Prescott et al. D14/447
8,282,060 B2 * 10/2012 Fan 248/291.1
D672,353 S * 12/2012 Liu D14/440
2008/0093516 A1 * 4/2008 Bevirt 248/181.1
2012/0170212 A1 * 7/2012 Gallouzi et al. 361/679.56
2012/0175474 A1 * 7/2012 Barnard et al. 248/122.1

* cited by examiner

Primary Examiner — Angela J Lee

(74) *Attorney, Agent, or Firm* — Grossman, Tucker,
Perreault & Pflieger, PLLC

(57) **CLAIM**

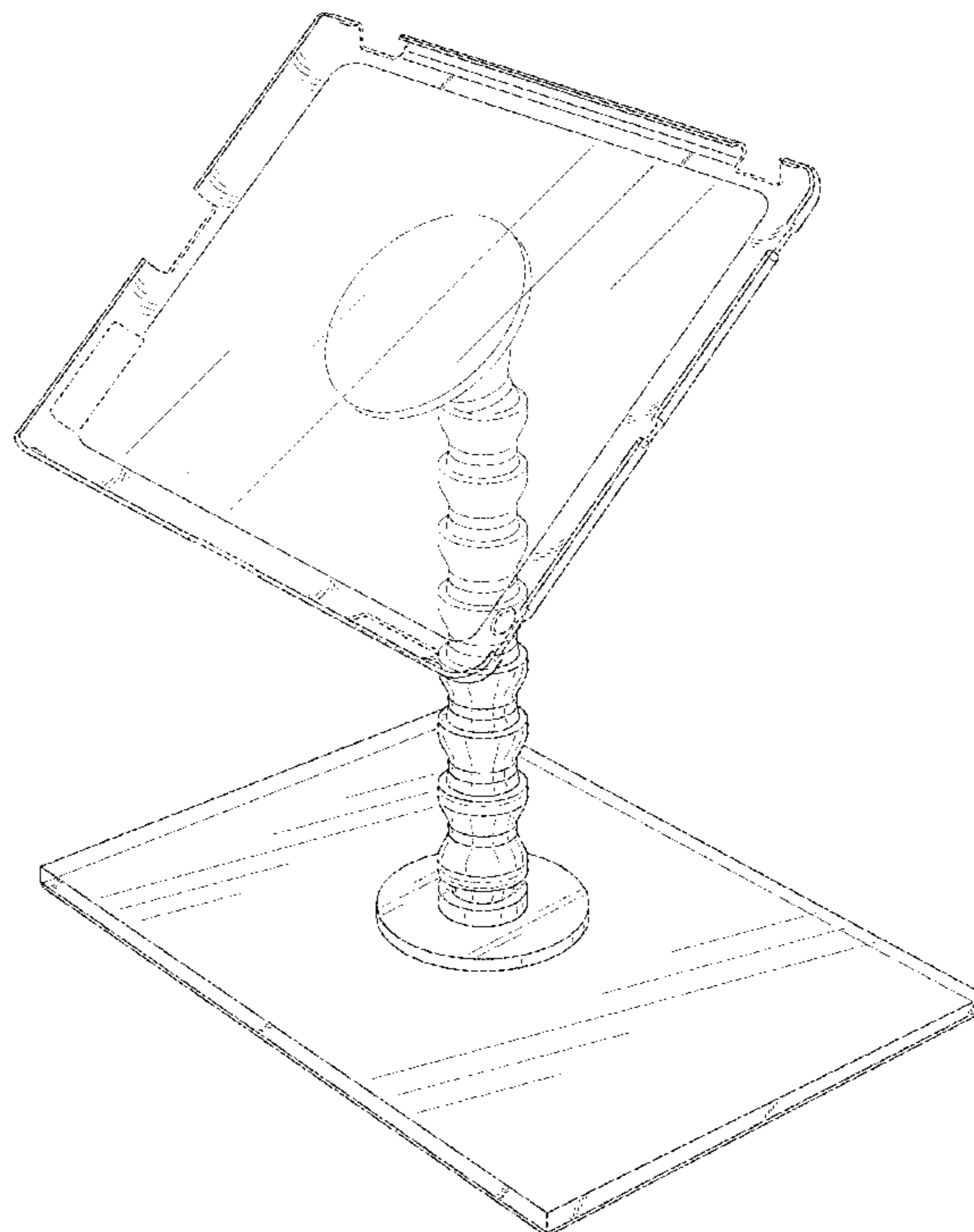
The ornamental design for a tablet pedestal, as shown and
described.

DESCRIPTION

FIG. 1 is a perspective view of a first configuration of a tablet
pedestal of the present invention;
FIG. 2 is a front view of the tablet pedestal of FIG. 1;
FIG. 3 is a back view of the tablet pedestal of FIG. 1;
FIG. 4 is a left side view of the tablet pedestal of FIG. 1;
FIG. 5 is a right side view of the tablet pedestal of FIG. 1;
FIG. 6 is a top view of the tablet pedestal of FIG. 1;
FIG. 7 is a bottom view of the tablet pedestal of FIG. 1; and,
FIG. 8 is a perspective view of a second configuration of the
tablet pedestal of FIG. 1.

The cutouts shown in broken lines are illustrative of environ-
ment and not intended to form a part of the claimed design.

1 Claim, 8 Drawing Sheets



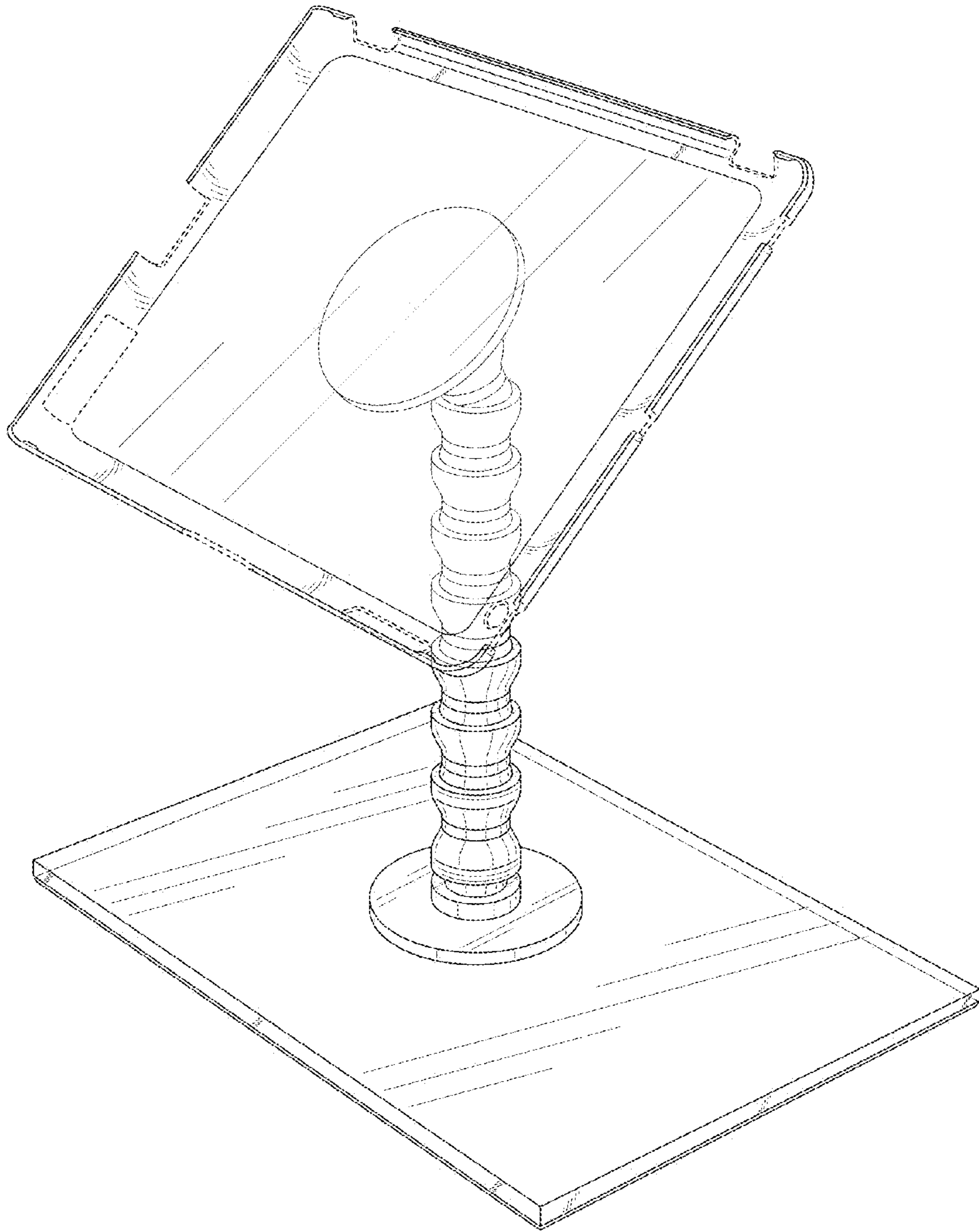


FIG. 1

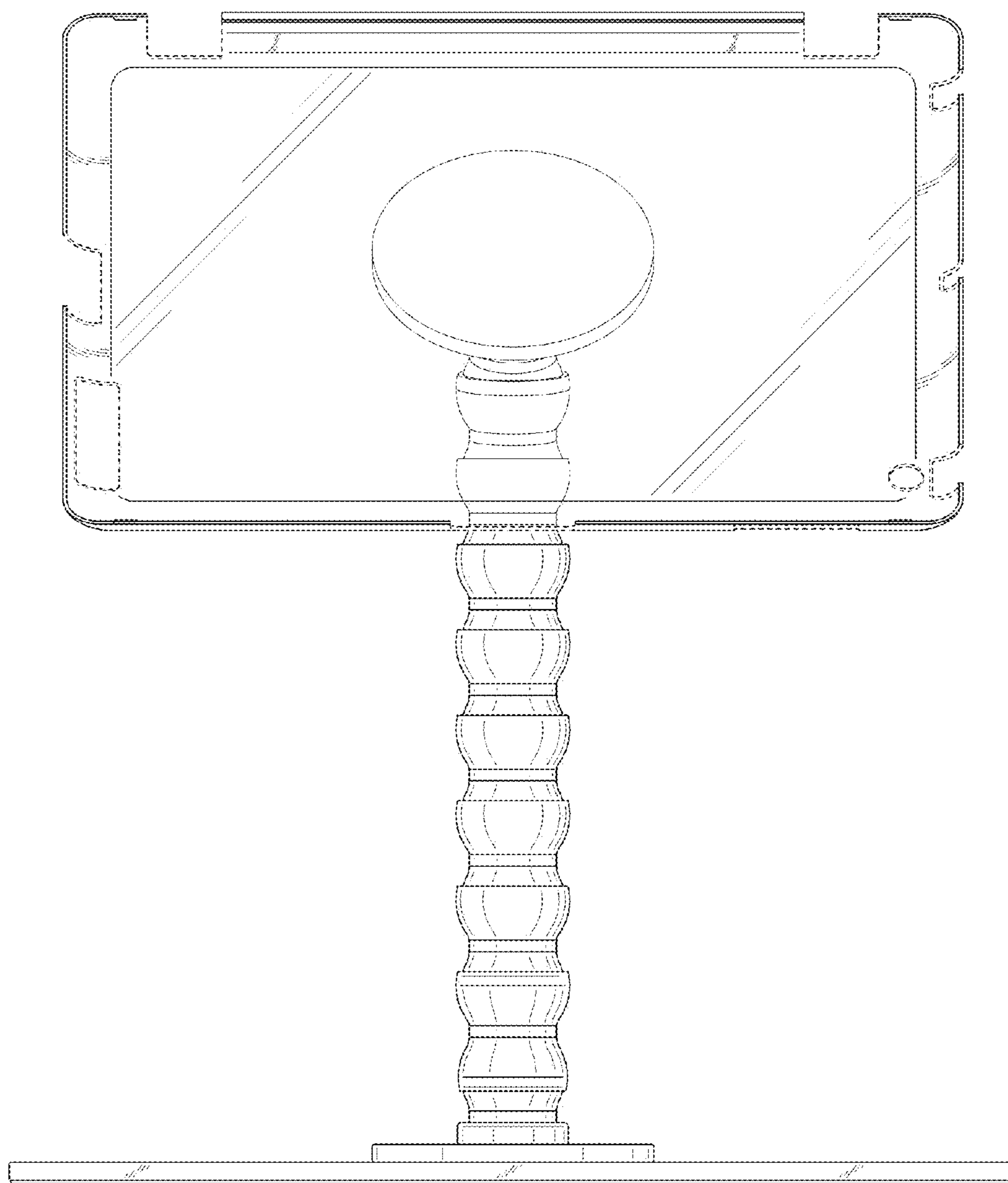


FIG. 2

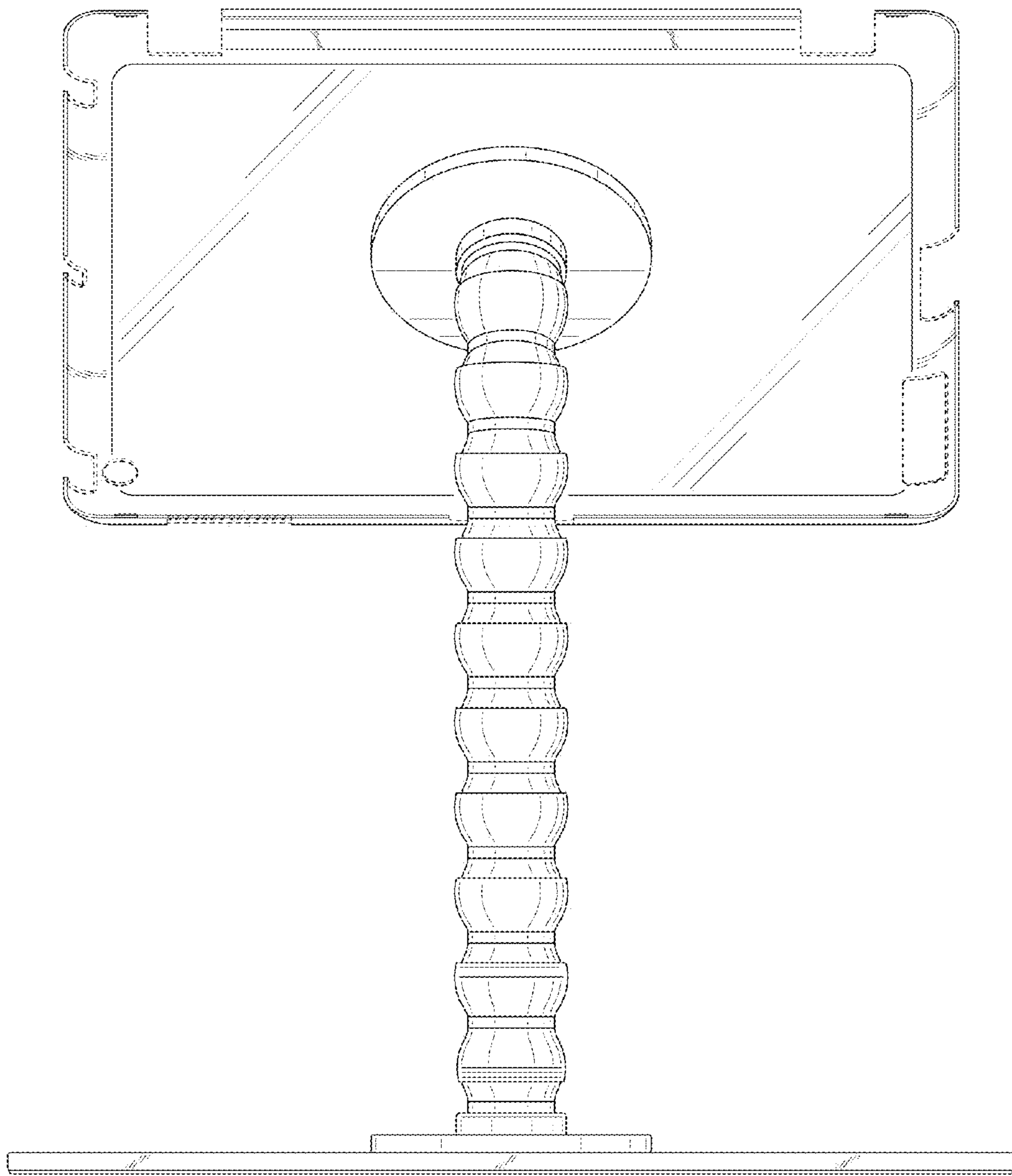


FIG. 3

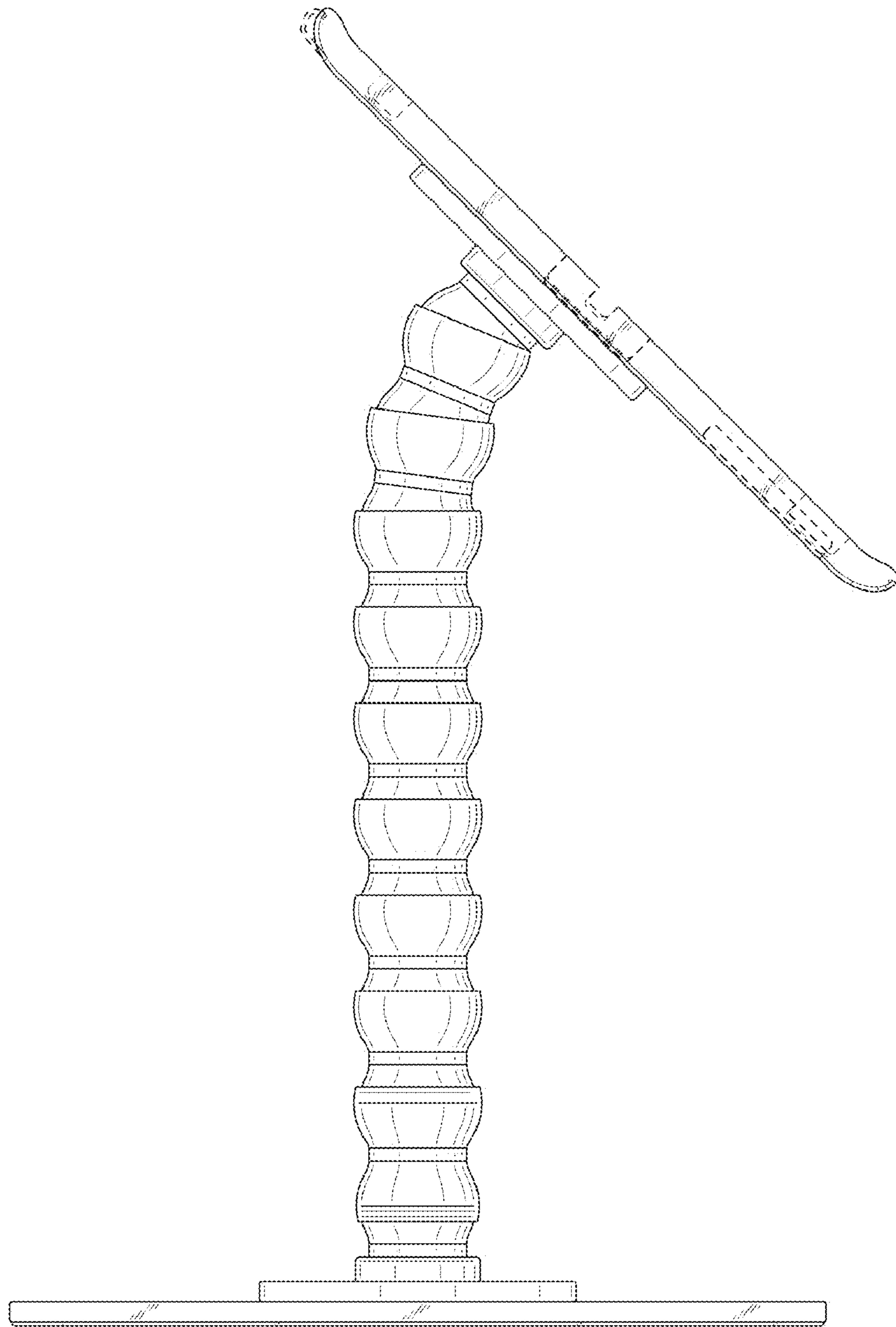


FIG. 4

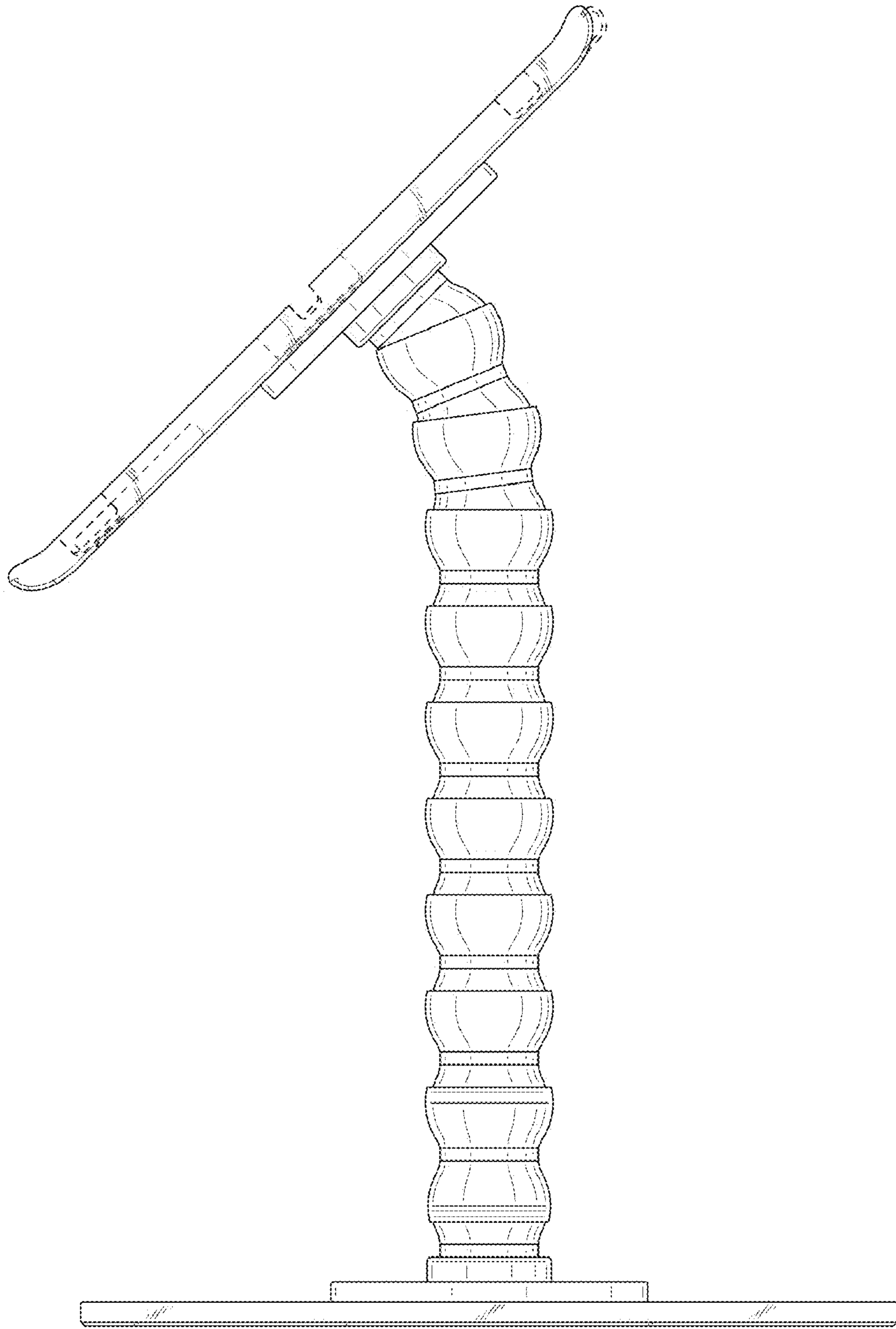


FIG. 5

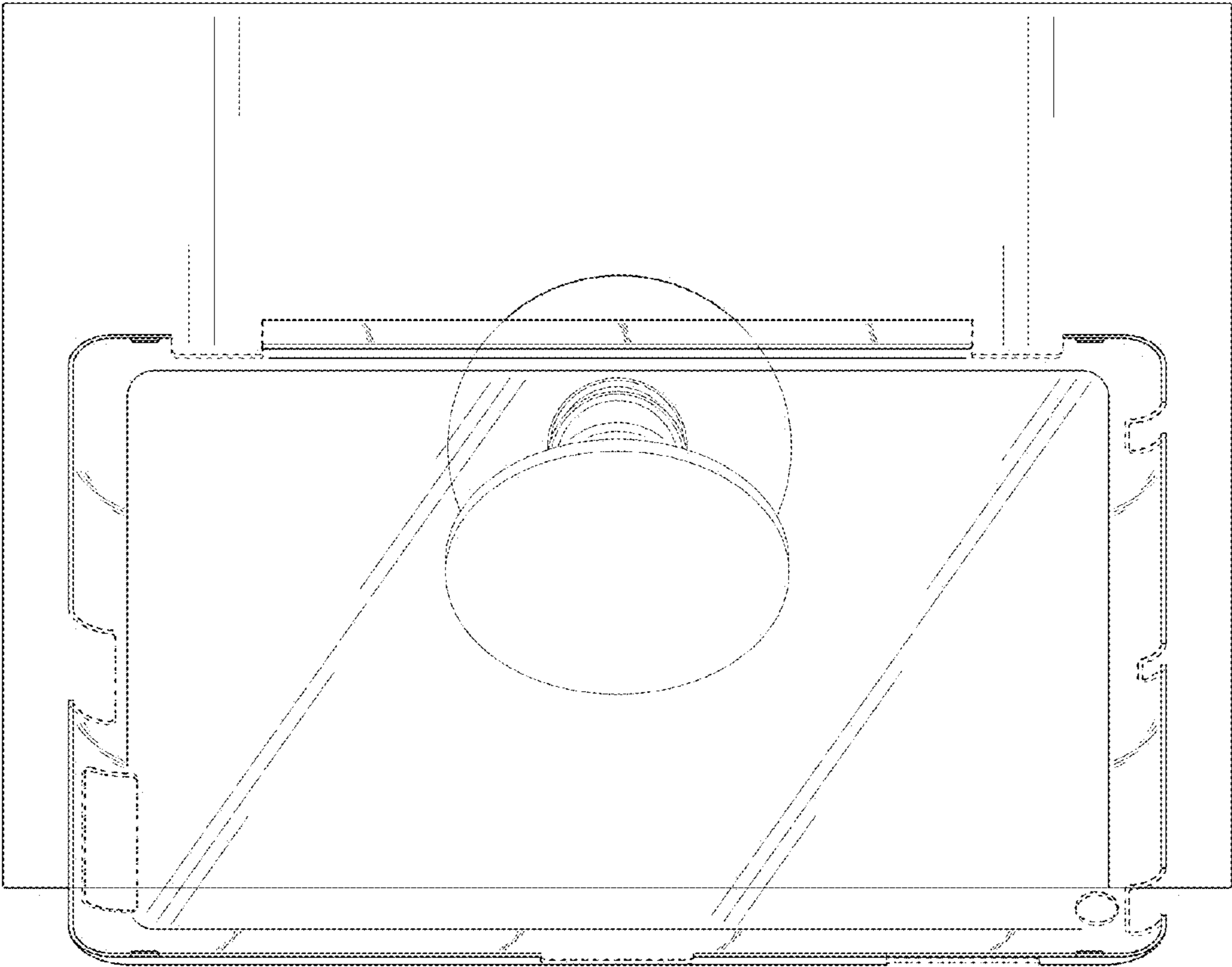


FIG. 6

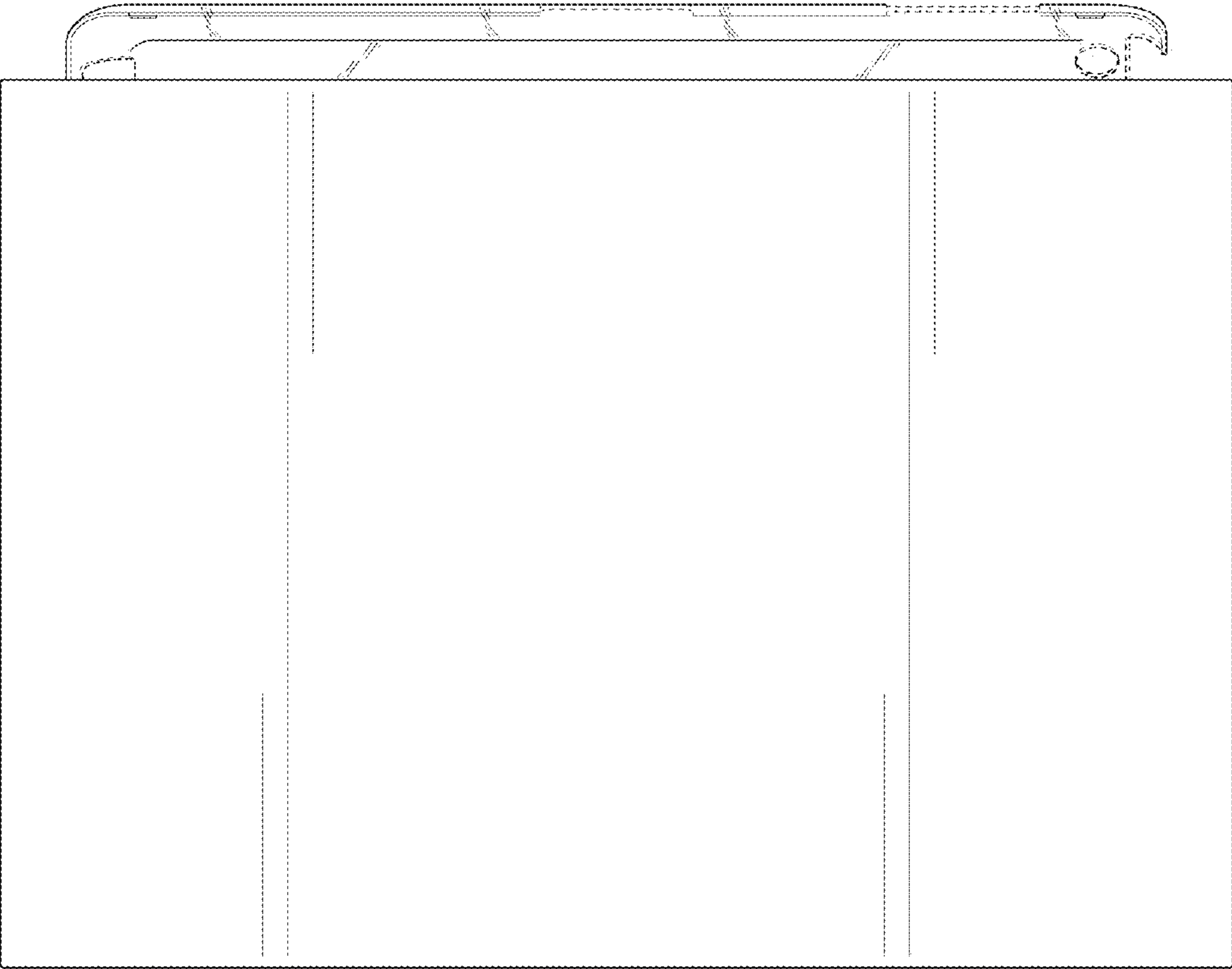


FIG. 7

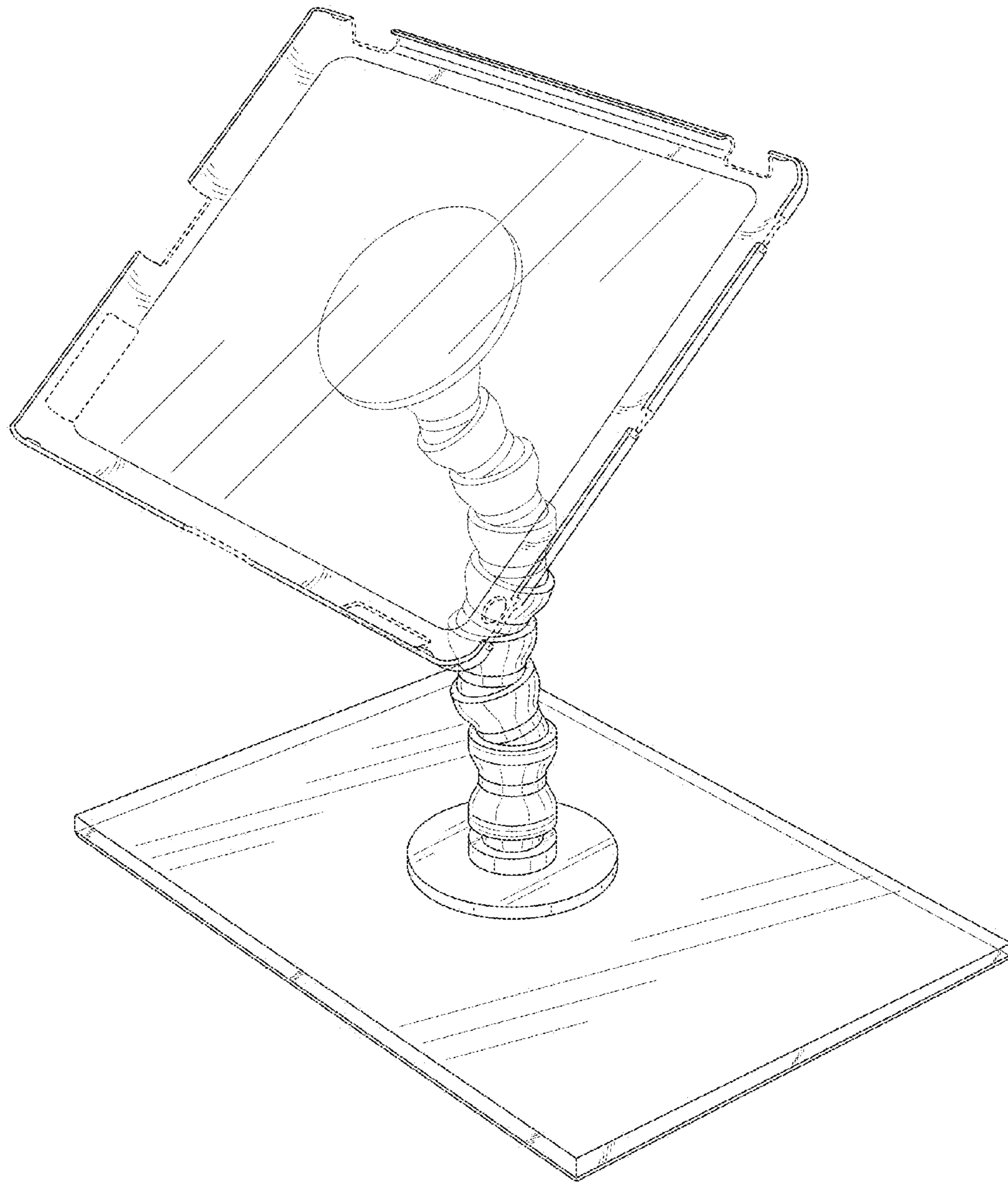


FIG. 8