



US00D678296S

(12) **United States Design Patent**  
**Lakraa et al.**

(10) **Patent No.:** **US D678,296 S**  
(45) **Date of Patent:** **\*\* Mar. 19, 2013**

(54) **ACCESSORY FOR A DIGITAL TABLET**

(75) Inventors: **Karima Lakraa**, Paris (FR); **Henri Crohas**, Verrieres le Buisson (FR)

(73) Assignee: **Archos**, Igny (FR)

(\*\*) Term: **14 Years**

(21) Appl. No.: **29/422,565**

(22) Filed: **May 22, 2012**

(30) **Foreign Application Priority Data**

Nov. 22, 2011 (EM) ..... 001951013

(51) **LOC (9) Cl.** ..... **08-07**

(52) **U.S. Cl.** ..... **D14/447**

(58) **Field of Classification Search** ..... D14/447,  
D14/448, 451, 452, 440, 432, 434, 439, 457,  
D14/238.1, 217, 251, 252, 253, 239; D6/406.3,  
D6/406.4, 406.5, 406.6; 361/679.09, 679.26,  
361/679.27, 679.28, 679.29, 679.3, 679.55,  
361/679.56; 248/917-924, 133, 136, 139,  
248/150, 176.1, 188.6, 288.31

See application file for complete search history.

(56) **References Cited**

**U.S. PATENT DOCUMENTS**

D469,439 S \* 1/2003 Bradley ..... D14/434  
D469,775 S \* 2/2003 Bradley ..... D14/434  
7,431,254 B2 \* 10/2008 Cheng ..... 248/292.12  
7,564,679 B2 \* 7/2009 Chen et al. .... 361/679.21  
D607,844 S \* 1/2010 Feldstein et al. .... D13/168  
D617,801 S \* 6/2010 Chang et al. .... D14/451

7,766,288 B2 \* 8/2010 Kim et al. .... 248/176.1  
D628,578 S \* 12/2010 Chou et al. .... D14/451  
8,011,623 B2 \* 9/2011 Hwang et al. .... 248/166  
8,256,724 B2 \* 9/2012 Choi ..... 248/133  
D672,356 S \* 12/2012 Quijano et al. .... D14/447  
2004/0084588 A1 \* 5/2004 Liu et al. .... 248/291.1  
2007/0097610 A1 \* 5/2007 Lee ..... 361/681

\* cited by examiner

*Primary Examiner* — Angela J Lee

(74) *Attorney, Agent, or Firm* — Young & Thompson

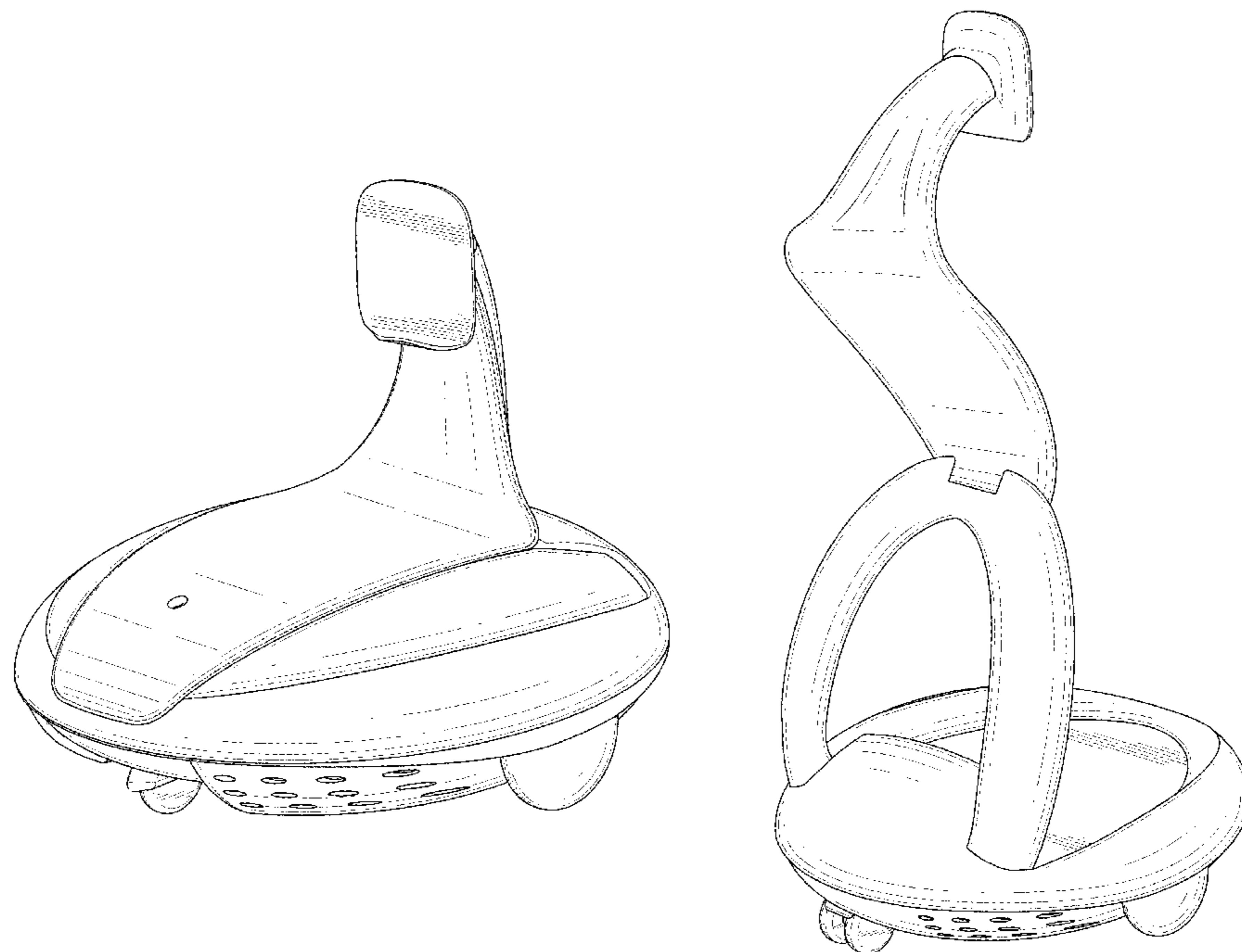
(57) **CLAIM**

The ornamental design for an accessory for a digital tablet, as shown and described.

**DESCRIPTION**

FIG. 1 is a front, left side, and top perspective view of an accessory for a digital tablet showing the new design; FIG. 2 a rear, right side, and top perspective view thereof; FIG. 3 is a front elevation view thereof; FIG. 4 is a rear elevation view thereof; FIG. 5 is a right side elevation view thereof; FIG. 6 is a top plan view thereof; FIG. 7 is a bottom plan view thereof; FIG. 8 is a front, left side, and top perspective view of an alternate position of the accessory for a digital tablet; FIG. 9 a rear, right side, and top perspective view thereof; FIG. 10 is a front elevation view thereof; FIG. 11 is a rear elevation view thereof; FIG. 12 is a right side elevation view thereof; and, FIG. 13 is a top plan view thereof. The right side and left side of the accessory for a digital tablet are mirror images.

**1 Claim, 13 Drawing Sheets**



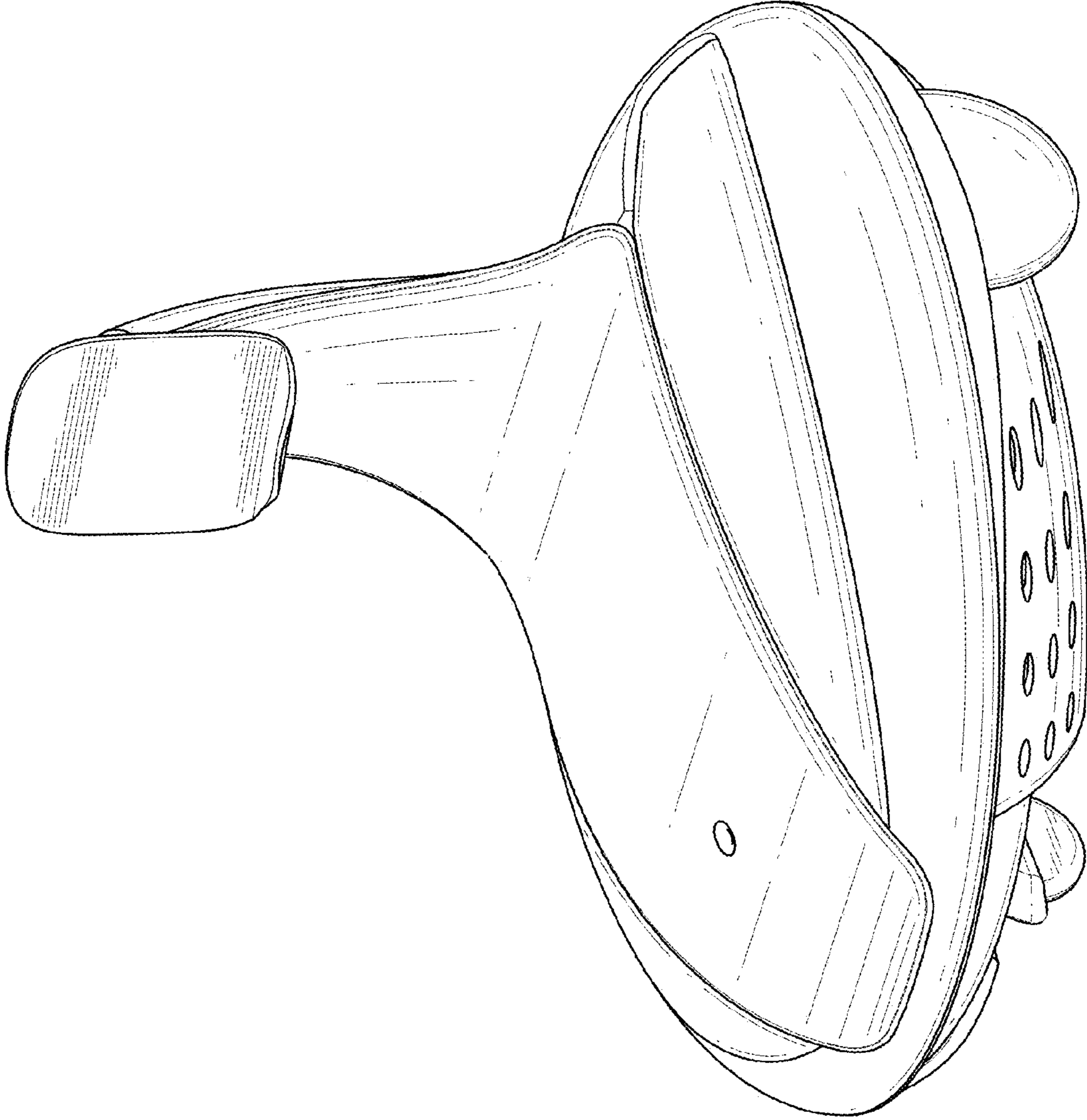


FIG. 1

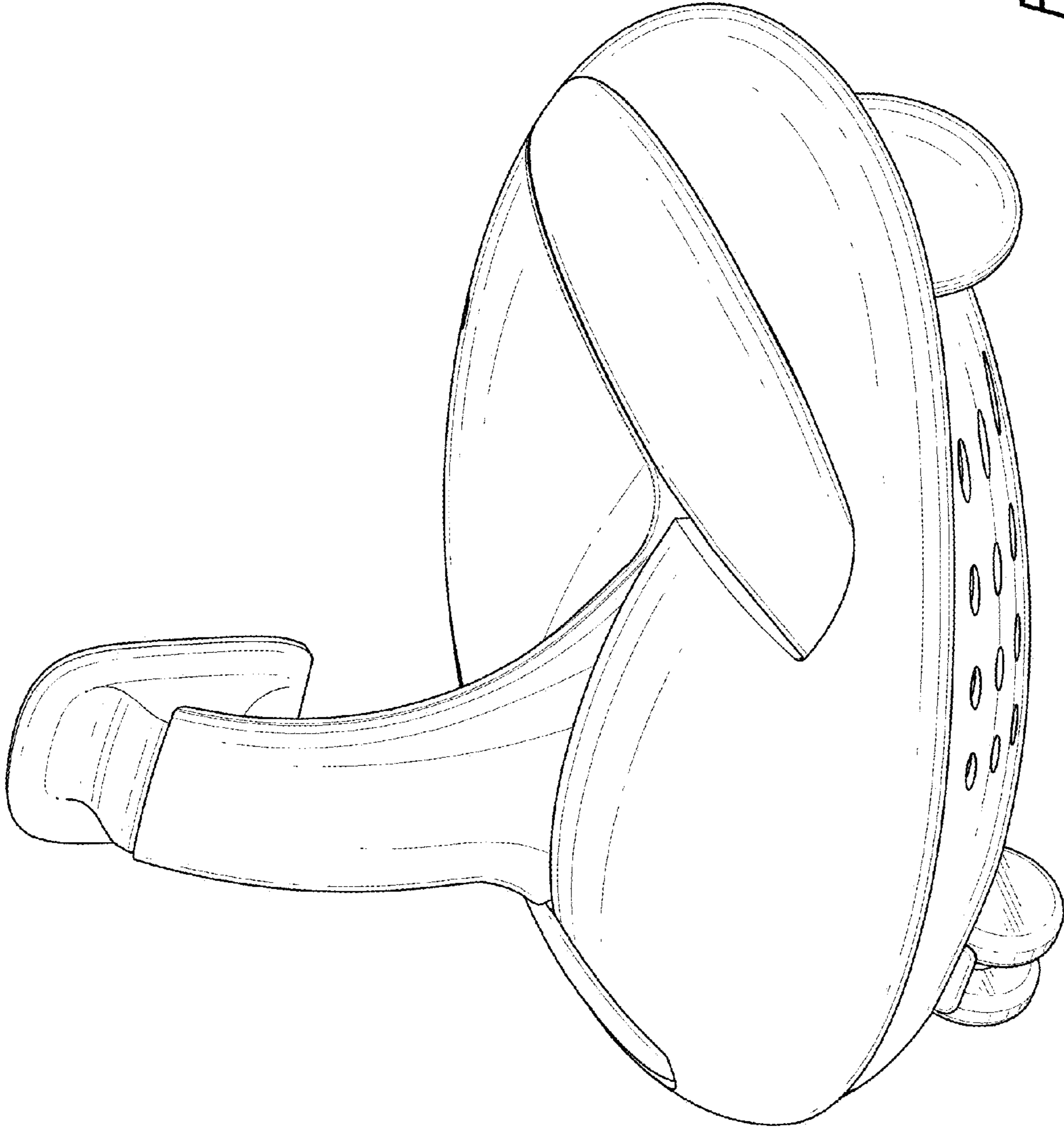


FIG. 2

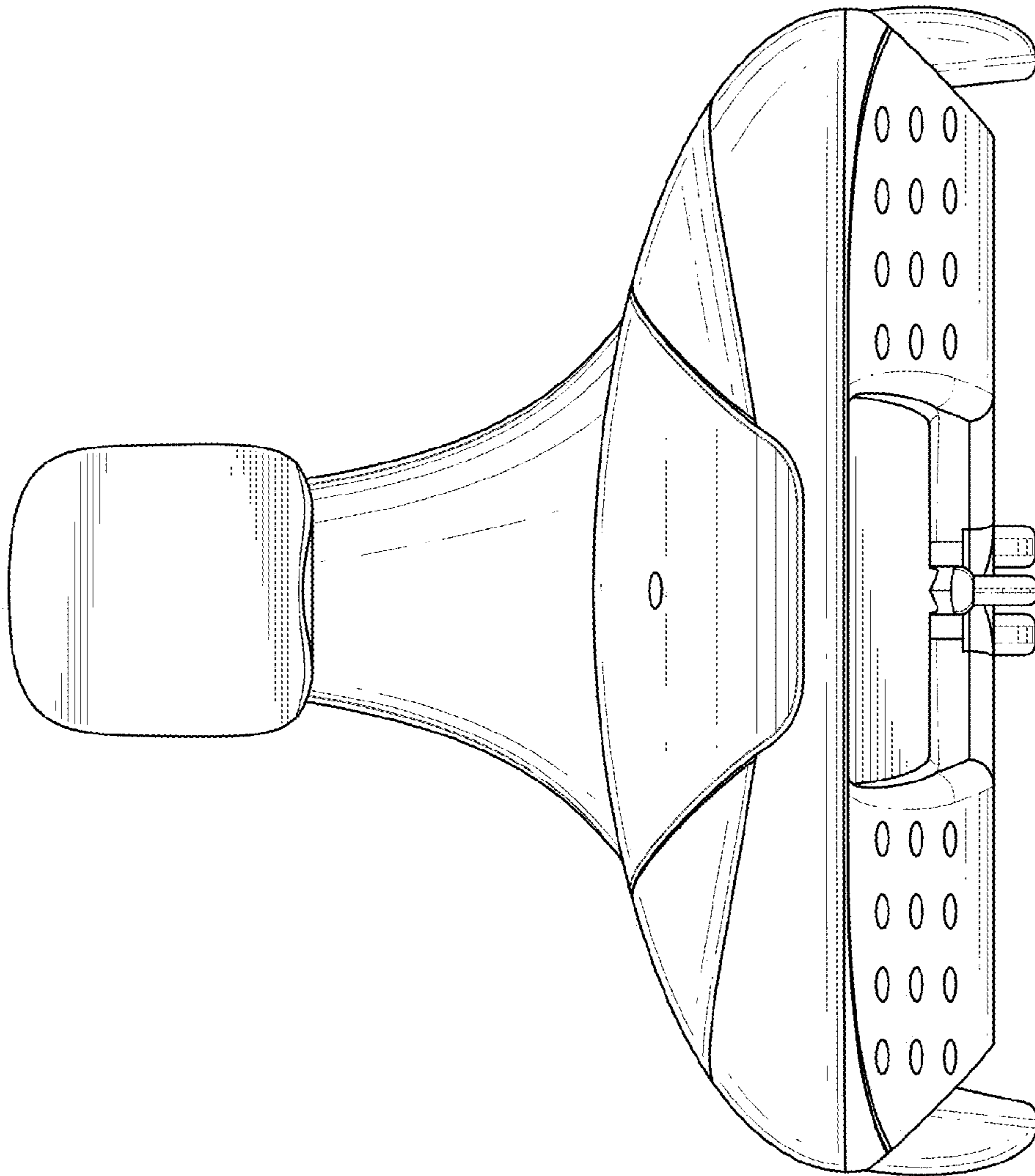


FIG. 3

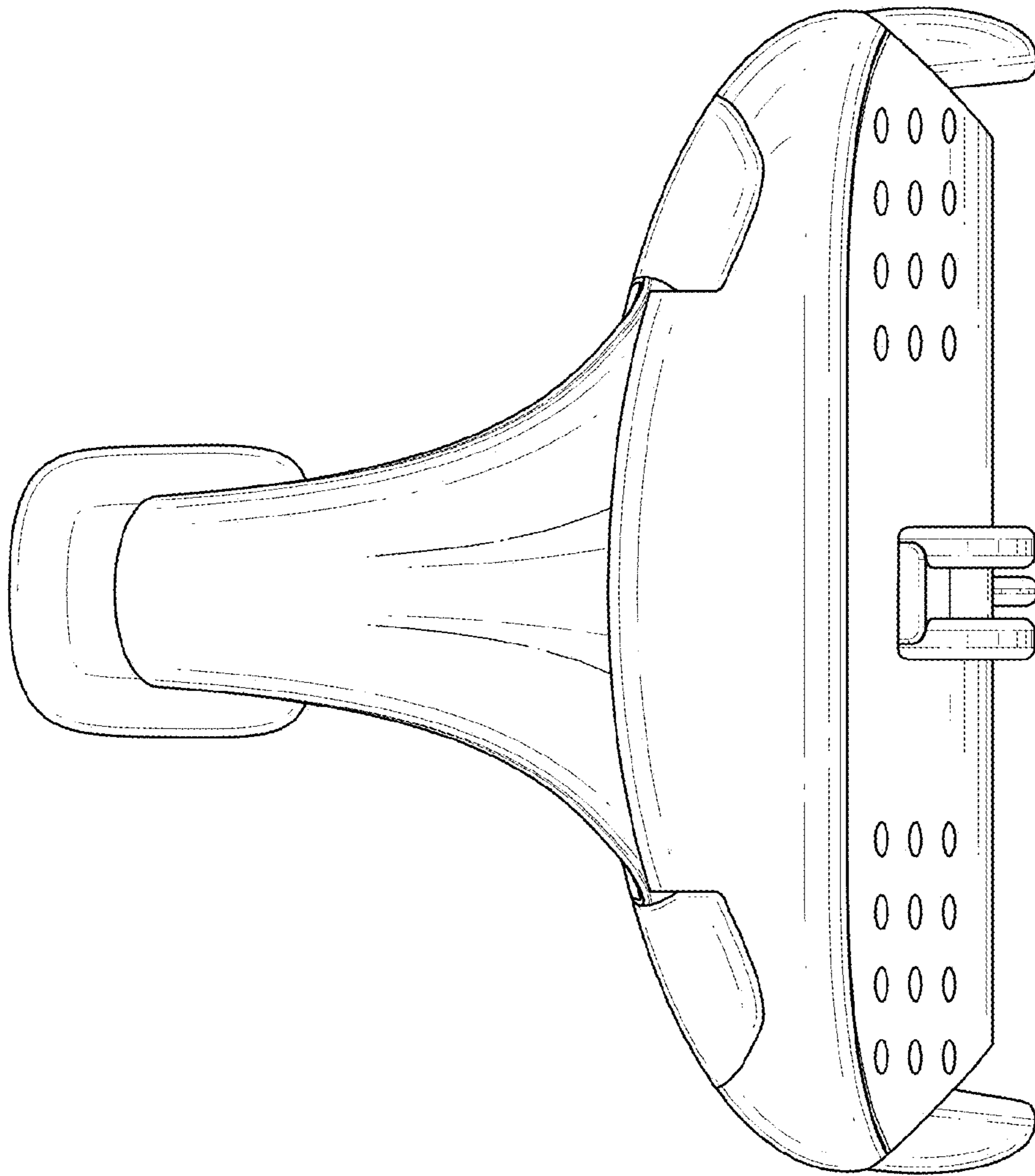


FIG. 4

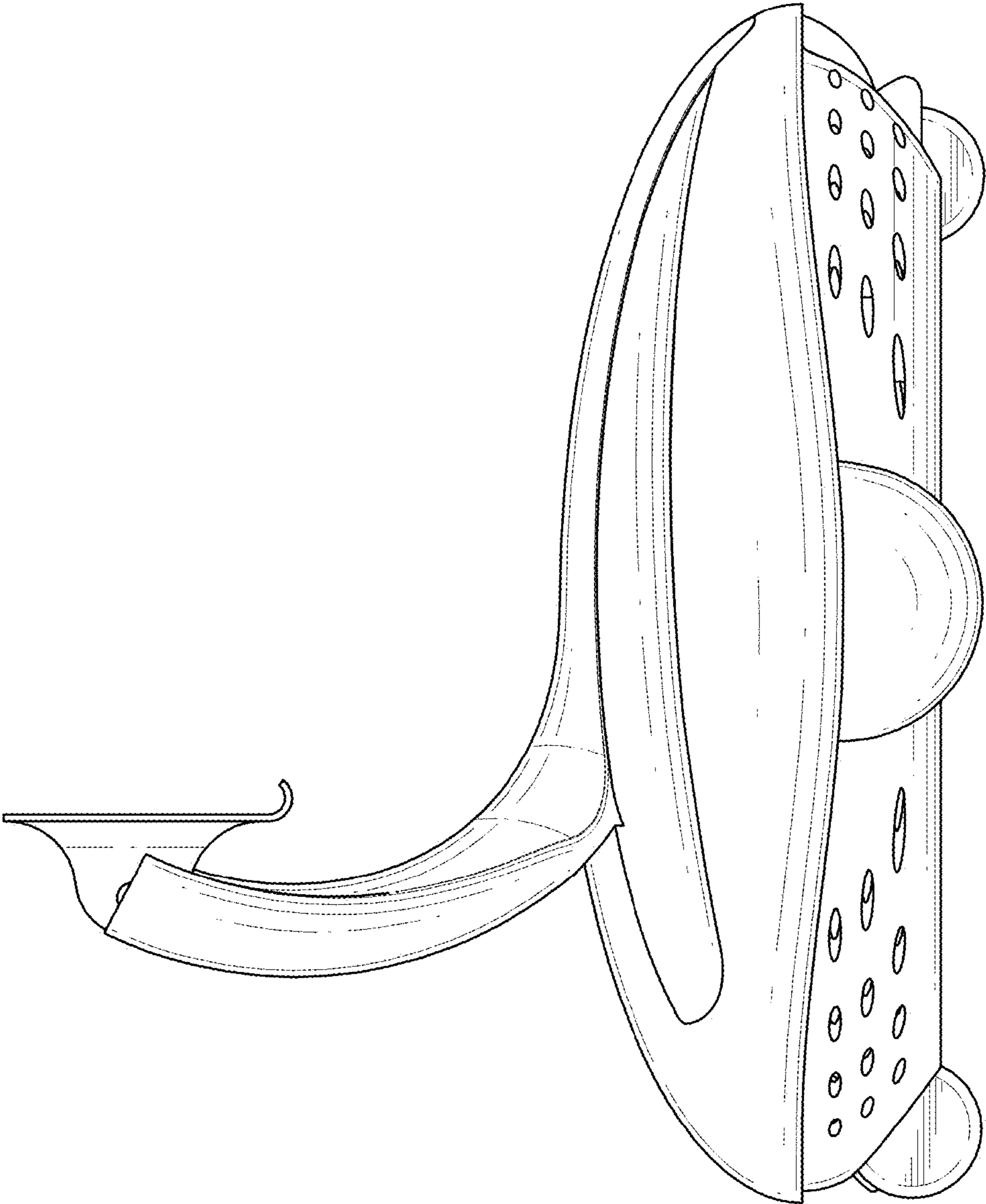


FIG. 5

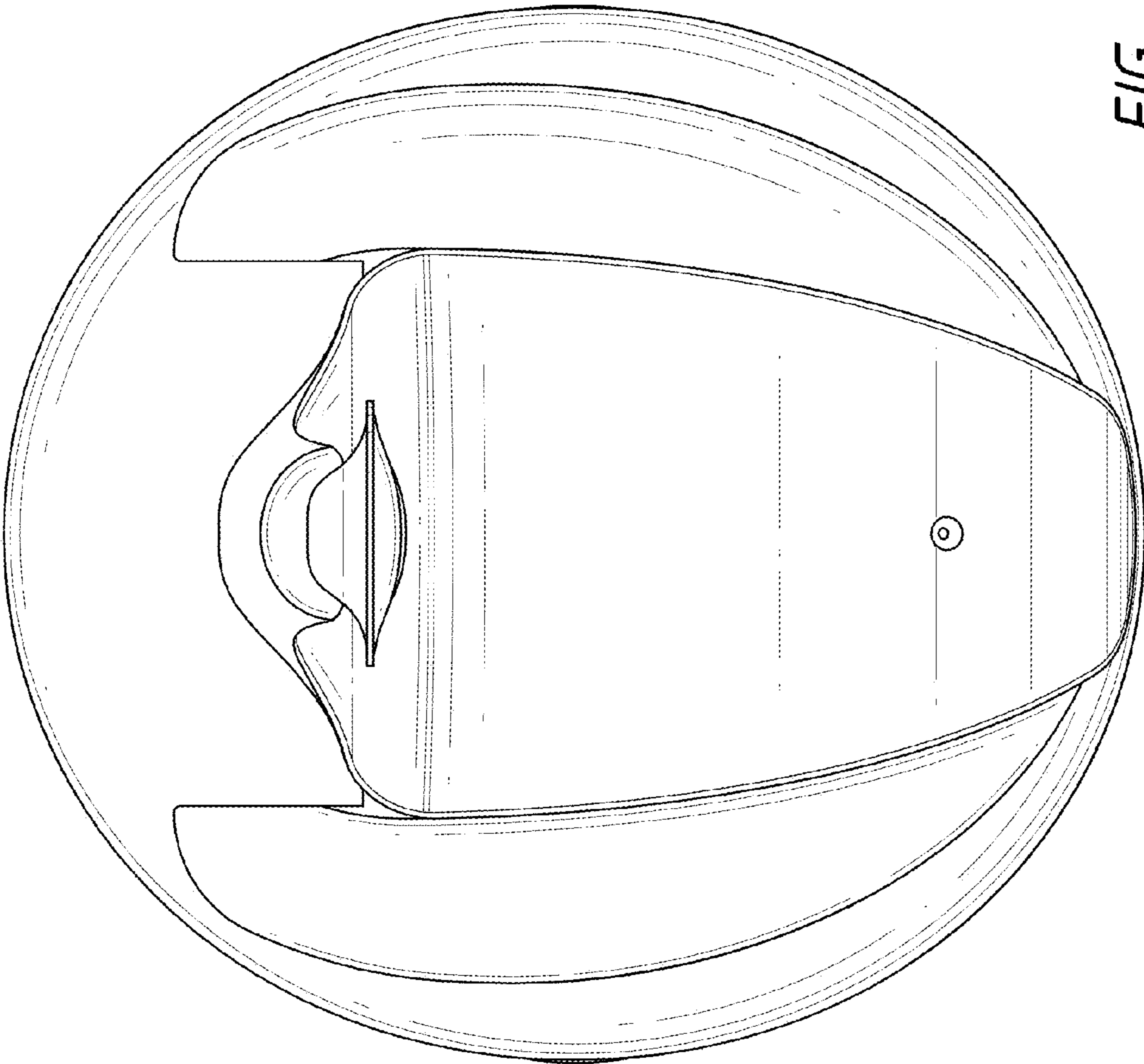


FIG. 6

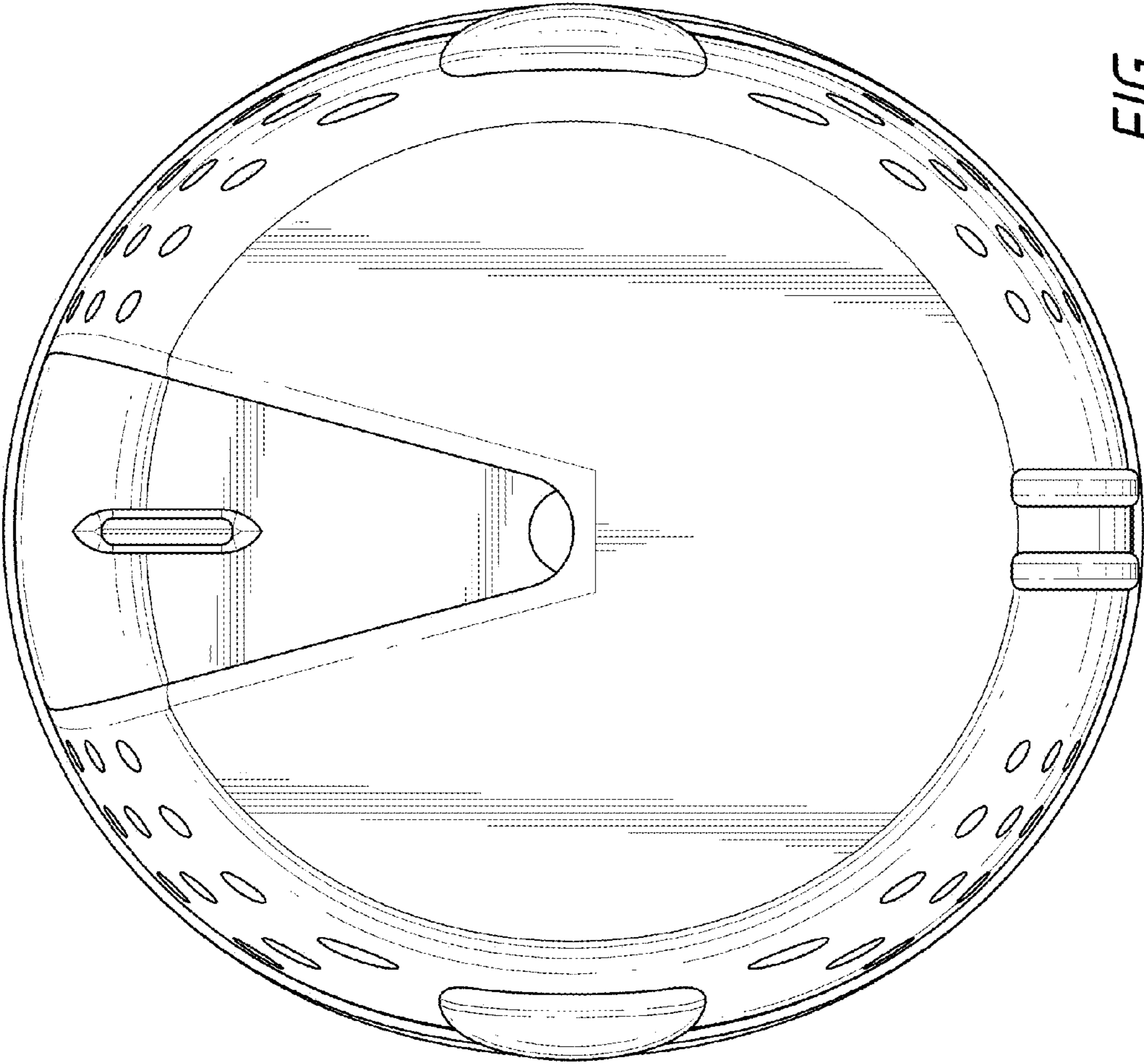


FIG. 7



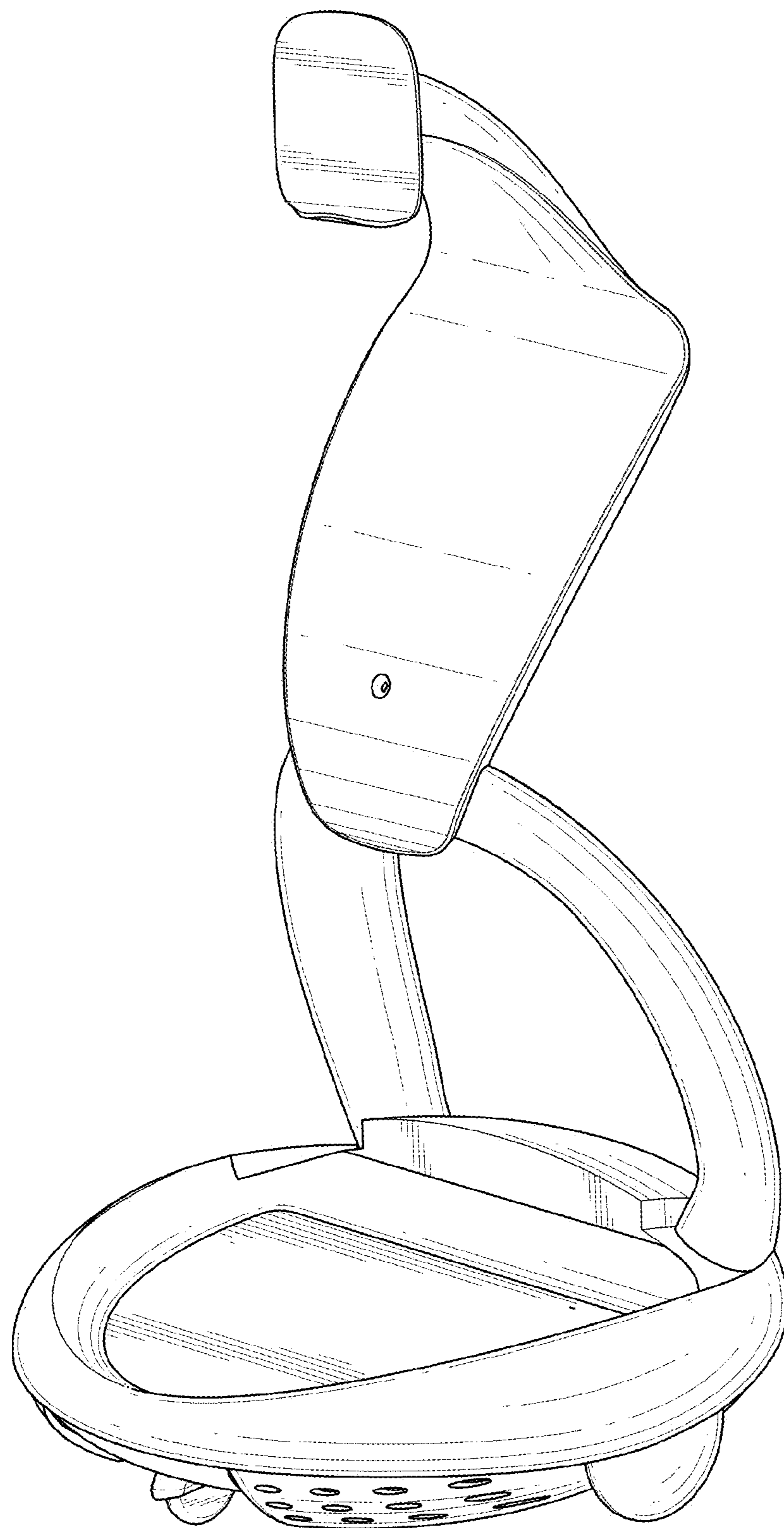


FIG. 8

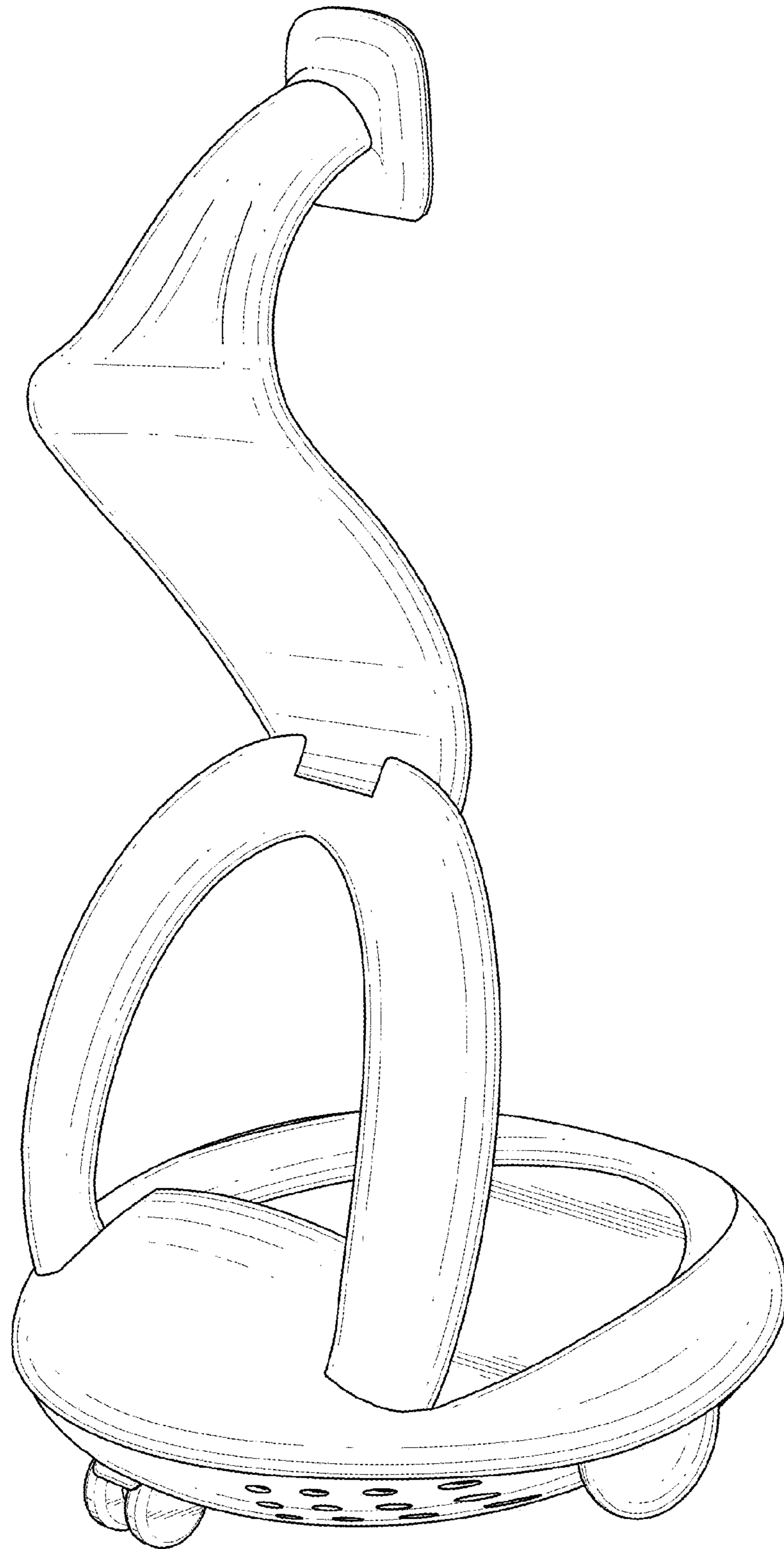


FIG. 9

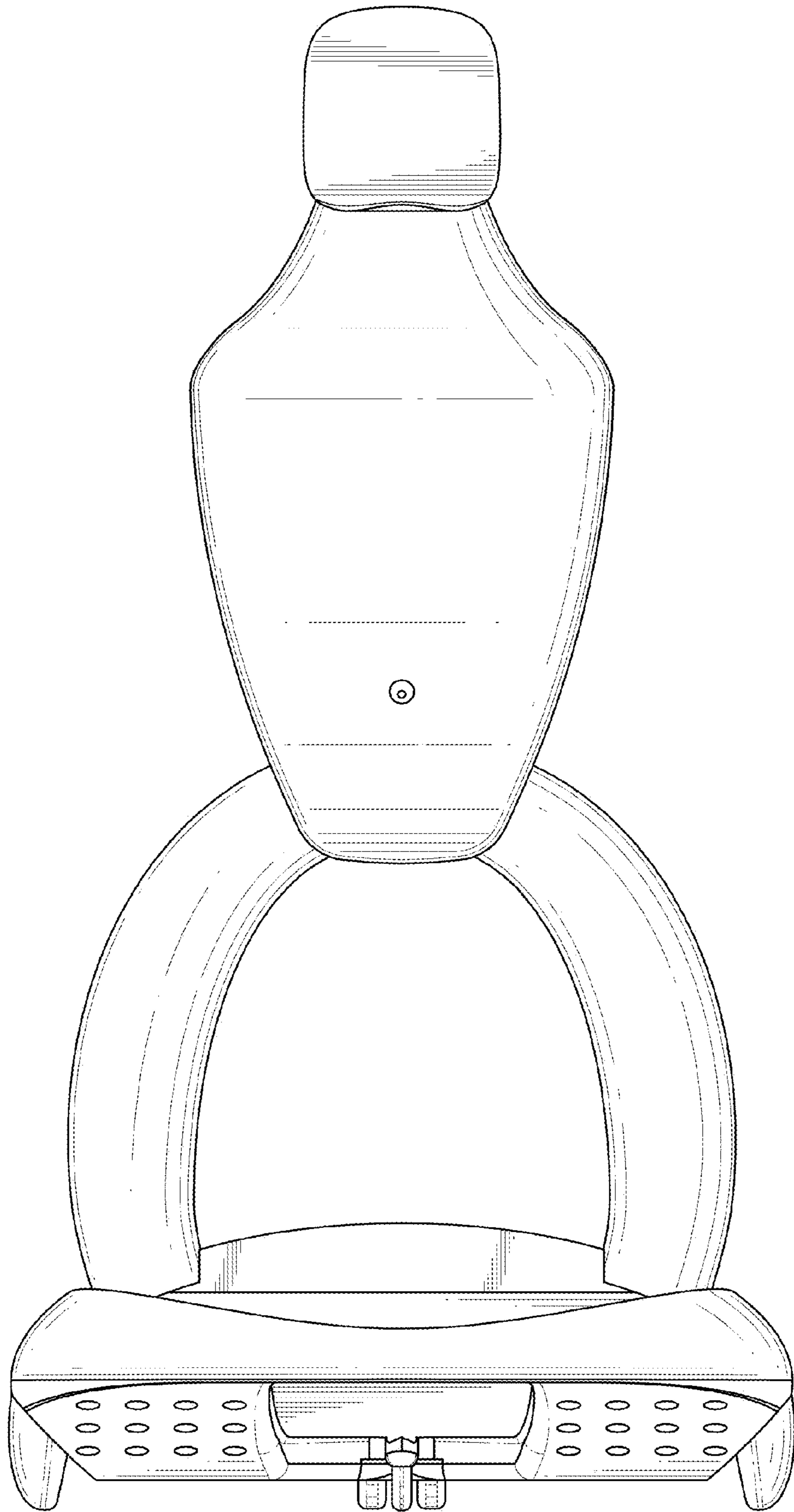


FIG. 10

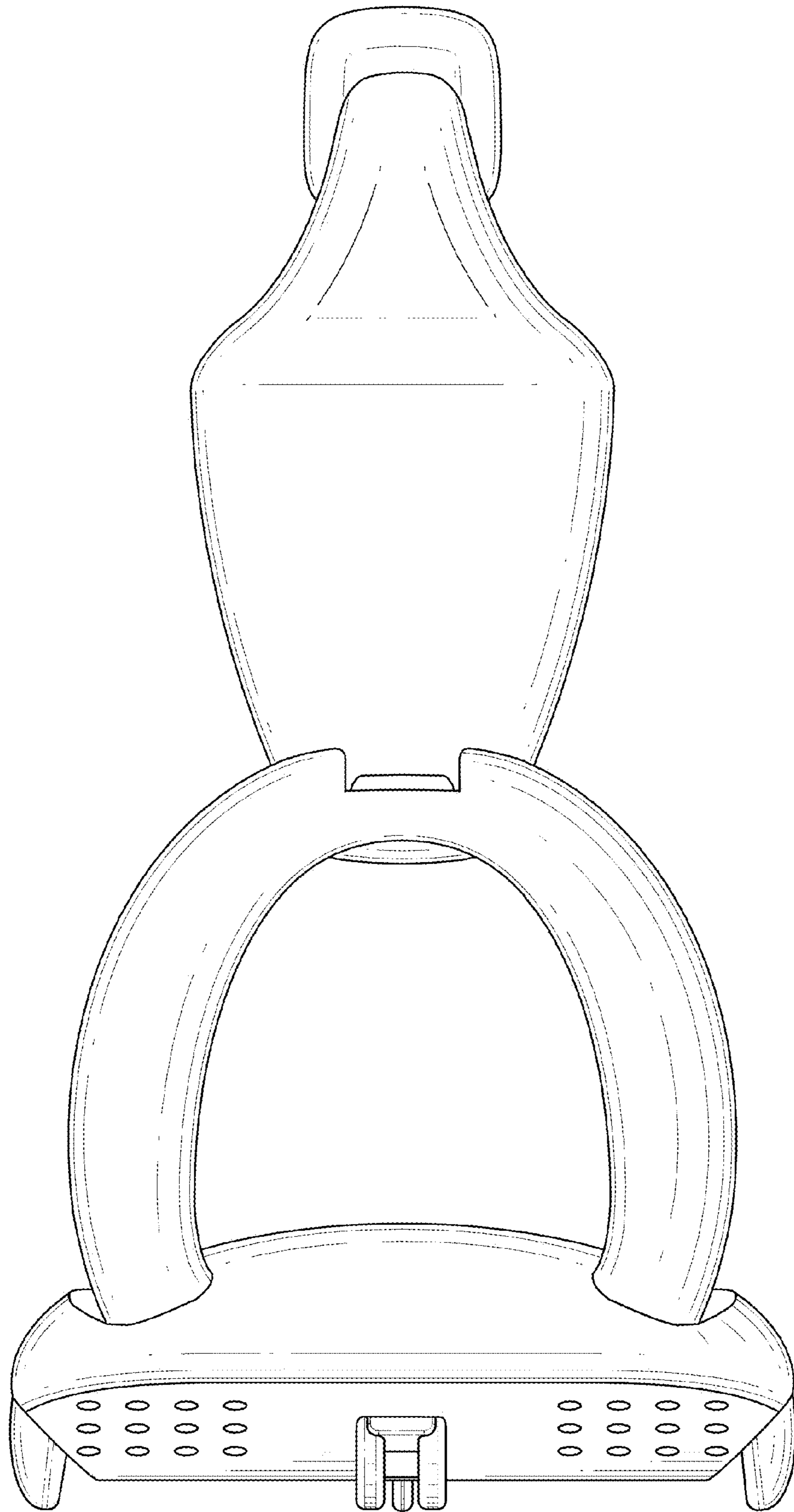


FIG. 11

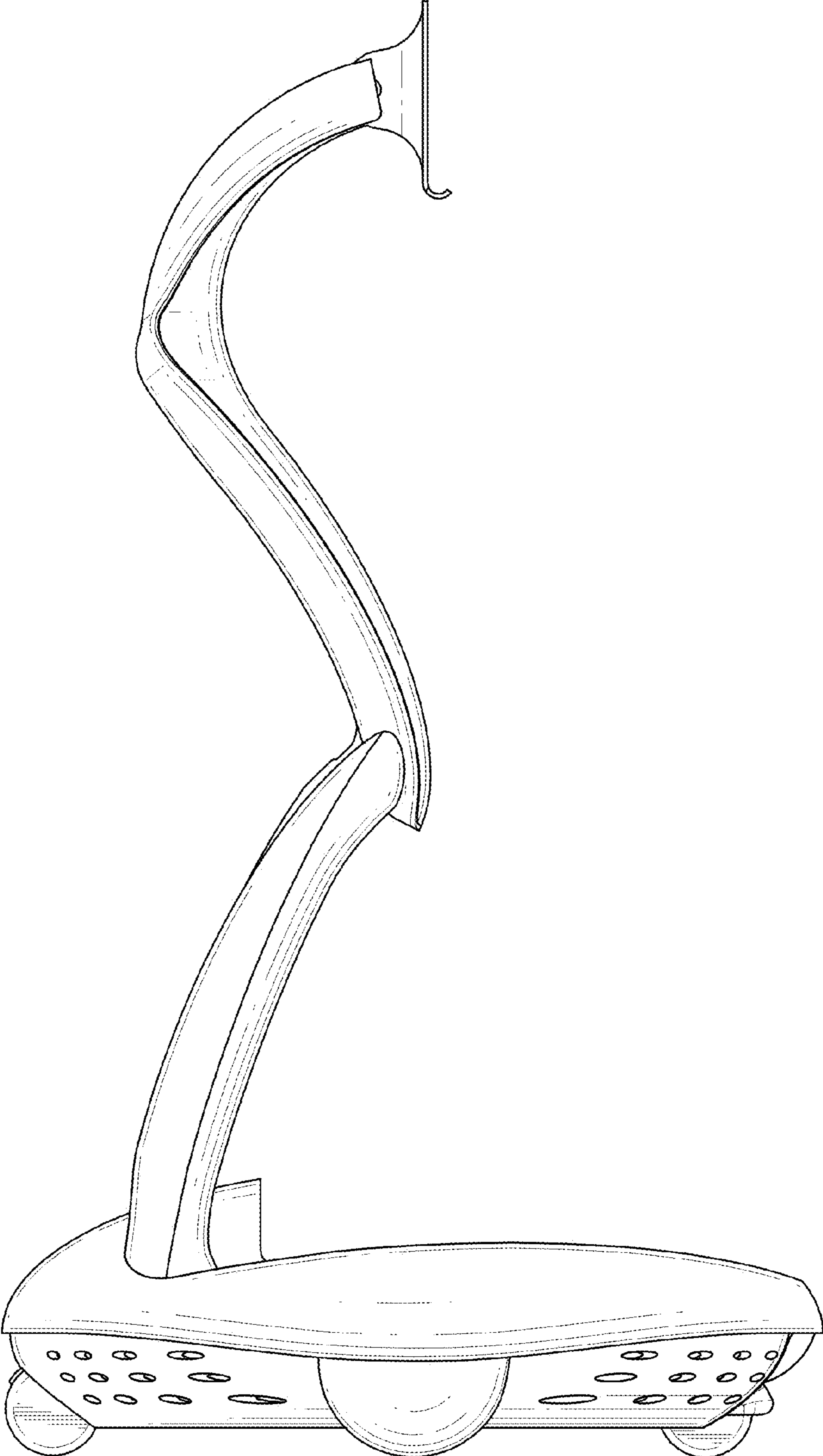
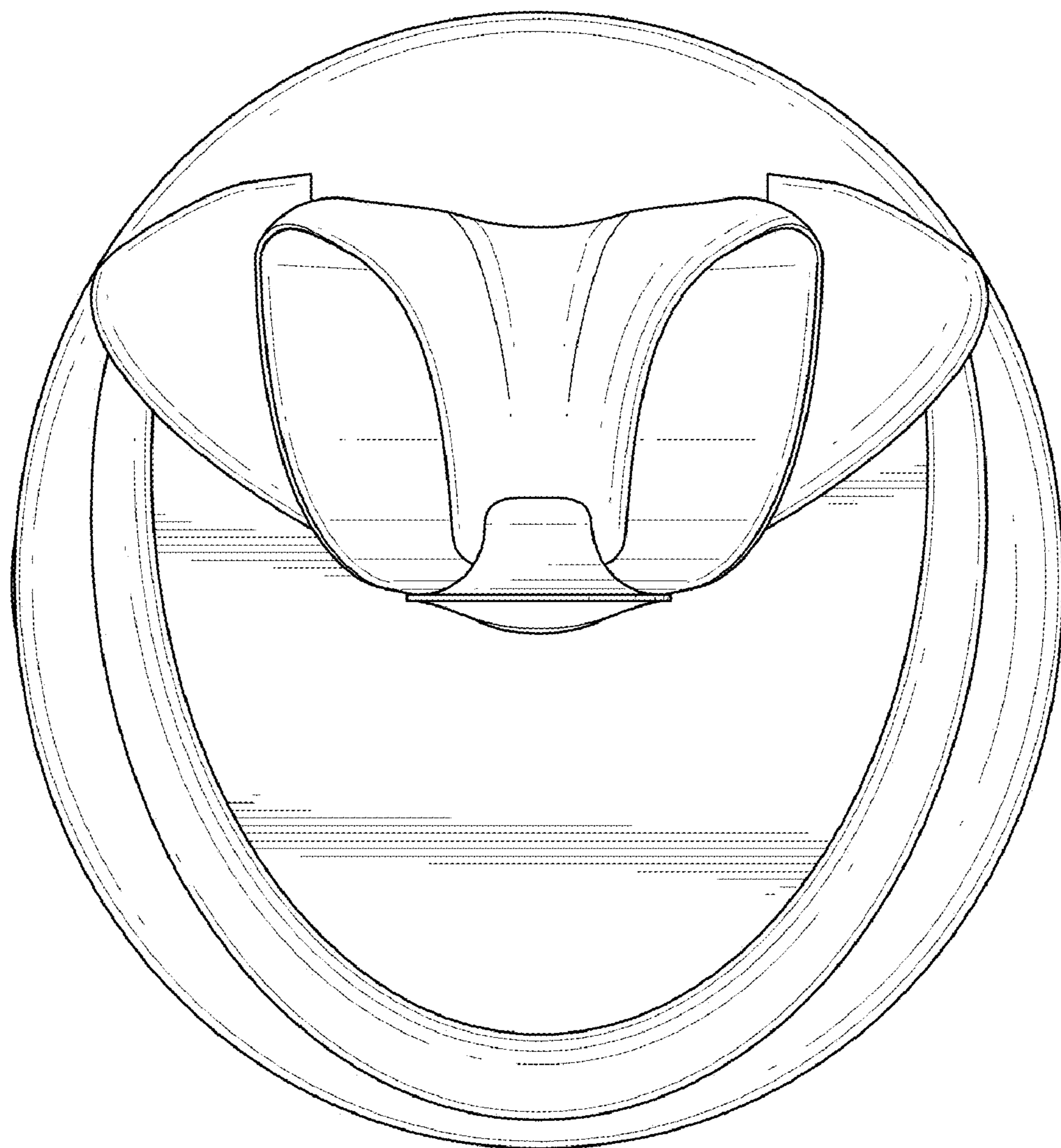


FIG. 12



*FIG. 13*