



US00D678294S

(12) **United States Design Patent**
Weaver, II et al.

(10) **Patent No.:** **US D678,294 S**
(45) **Date of Patent:** **** Mar. 19, 2013**

(54) **CASE FOR A TABLET ELECTRONIC DEVICE**

(75) Inventors: **Edward L. Weaver, II**, Milford, OH (US); **Thomas M. Snyder**, St. Paul, MN (US); **Patrick E. Bisek**, Rosemount, MN (US); **Beth E. Gramza**, Cincinnati, OH (US); **Dominic J. Julian**, Loveland, OH (US); **Sherry A. Hinds**, Goshen, OH (US)

(73) Assignee: **3M Innovative Properties Company**, St. Paul, MN (US)

(**) Term: **14 Years**

(21) Appl. No.: **29/418,216**

(22) Filed: **Apr. 13, 2012**

(51) **LOC (9) Cl.** **14-02**

(52) **U.S. Cl.** **D14/440**

(58) **Field of Classification Search** D14/250, D14/251, 253, 240, 217, 496, 440, 203.3, D14/203.4, 203.5, 203.8, 432, 439, 300, 447, D14/346, 443; D3/218, 215, 201; 220/4.02; 248/309.1, 459; 361/679.56, 679.03; 379/426, 379/433.11, 455; 455/575.1, 575.8; 190/100; 206/305, 320; D19/86

See application file for complete search history.

(56) **References Cited**

U.S. PATENT DOCUMENTS

681,976	A *	9/1901	Rathvon	248/456
1,370,279	A *	3/1921	Burzynski	211/43
2,354,782	A *	8/1944	Stradling et al.	281/16
2,726,835	A *	12/1955	Hummel	248/459
4,318,527	A *	3/1982	Smith	248/459
4,621,898	A	11/1986	Cohen	
4,703,160	A *	10/1987	Narishima et al.	235/1 D
4,718,550	A *	1/1988	Johnson	206/387.13
5,002,184	A	3/1991	Lloyd	
5,204,160	A	4/1993	Rouser	
5,481,430	A	1/1996	Miyagawa	

(Continued)

FOREIGN PATENT DOCUMENTS

JP U3084368 12/2001
WO WO 2010/141345 12/2010

(Continued)

OTHER PUBLICATIONS

TKO Solutions, The X-Band, Introducing X-Band "Hands-Free" technology, [printed from the internet on Apr. 11, 2012], <http://tko-solutions.com/cowbell/index.php?p=page&page_id=about_us>, 1 page.

(Continued)

Primary Examiner — Cynthia Underwood

(74) *Attorney, Agent, or Firm* — Carolyn A. Fischer

(57) **CLAIM**

The ornamental design for a case for a tablet electronic device, as shown and described.

DESCRIPTION

FIG. 1 is a perspective view of an exemplary embodiment showing the new design for a case for a tablet electronic device;

FIG. 2 is a plan view of a front surface of the case for a tablet electronic device of FIG. 1;

FIG. 3 is a plan view of a back surface of the case for a tablet electronic device of FIG. 1;

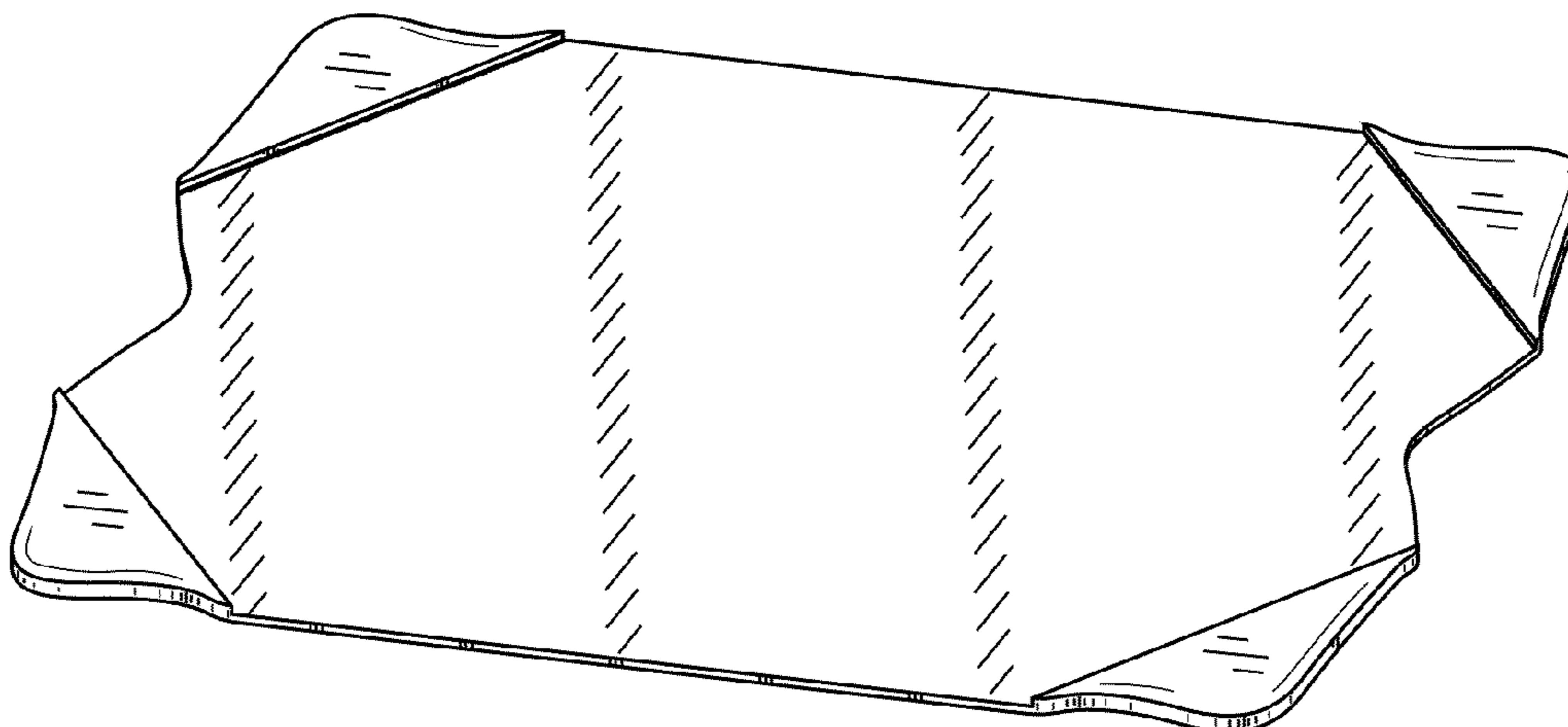
FIG. 4 is a plan view of a top edge and bottom edge of the case for a tablet electronic device of FIG. 1; and,

FIG. 5 is a plan view of a left-side edge and right-edge of the case for a tablet electronic device of FIG. 1.

Also claimed is a kit comprising the case for a tablet computer, as depicted in FIGS. 1-5, and a light-transmissive film for use with the case.

The front and/or back surface may comprise one or more openings at various locations and having various shapes, such as depicted by the broken lines in FIG. 3. The structures depicted by means of broken lines in the drawing views are for illustrative purposes only and form no part of the claimed design.

1 Claim, 2 Drawing Sheets



U.S. PATENT DOCUMENTS

5,555,363	A	9/1996	Tou	
5,564,930	A	10/1996	Yu	
5,594,619	A	1/1997	Miyagawa	
5,820,957	A	10/1998	Schroeder	
6,282,082	B1	8/2001	Armitage	
6,356,400	B1	3/2002	Goff	
6,356,440	B2	3/2002	Selker	
6,398,370	B1	6/2002	Chiu	
D466,356	S *	12/2002	Marsilio	D6/632
6,493,969	B2 *	12/2002	Devos	40/120
D469,438	S *	1/2003	Corrales	D14/432
D471,008	S *	3/2003	Dubone	D3/247
D478,623	S *	8/2003	Wilburn	D19/26
6,646,672	B2 *	11/2003	Feierbach	348/14.02
6,646,864	B2	11/2003	Richardson	
6,646,866	B2	11/2003	Kao	
6,778,240	B2	8/2004	Nakamura	
6,871,739	B2	3/2005	Lopez	
6,995,976	B2	2/2006	Richardson	
7,158,376	B2	1/2007	Richardson	
7,230,823	B2	6/2007	Richardson	
D546,878	S *	7/2007	Bharma	D19/26
7,281,698	B2	10/2007	Patterson, Jr.	
7,312,984	B2	12/2007	Richardson	
7,318,521	B2 *	1/2008	Lau	206/45.24
7,414,833	B2	8/2008	Kittayapong	
D581,865	S *	12/2008	Koza	D13/102
D584,314	S *	1/2009	Davis et al.	D14/440
7,522,410	B2	4/2009	Pichahchi	
7,542,052	B2 *	6/2009	Solomon et al.	345/659
D609,226	S *	2/2010	Hofer et al.	D14/248
7,663,879	B2	2/2010	Richardson	
7,907,394	B2	3/2011	Richardson	
7,933,122	B2	4/2011	Richardson	
8,012,567	B2	9/2011	Gaides	
8,016,107	B2 *	9/2011	Emsky	206/320
D646,266	S *	10/2011	Kim et al.	D14/250
D647,526	S	10/2011	Vandiver	
D648,529	S *	11/2011	Brown	D3/269
D654,069	S *	2/2012	Kwon et al.	D14/250
8,132,670	B1 *	3/2012	Chen	206/320
D659,139	S *	5/2012	Gengler	D14/392
D662,100	S *	6/2012	Van Den Nieuwenhuizen et al.	D14/440
D662,503	S *	6/2012	Akana et al.	D14/439
D663,304	S *	7/2012	Akana et al.	D14/440
8,230,992	B2 *	7/2012	Law et al.	206/320
D665,809	S *	8/2012	Wang et al.	D14/439
8,235,208	B2 *	8/2012	Sirichai et al.	206/320
8,245,843	B1 *	8/2012	Wu	206/320
2007/0286994	A1	12/2007	Walker	
2009/0194209	A1 *	8/2009	De Filippis et al.	150/107

2010/0048267	A1	2/2010	Lin	
2010/0201242	A1	8/2010	Liu	
2010/0232021	A1	9/2010	Walker, Jr.	
2010/0289390	A1 *	11/2010	Kenney	312/223.1
2012/0043231	A1 *	2/2012	Perrier et al.	206/216
2012/0170212	A1 *	7/2012	Gallouzi et al.	361/679.56
2012/0194448	A1 *	8/2012	Rothkopf	345/173
2012/0212896	A1 *	8/2012	Schulz	361/679.02

FOREIGN PATENT DOCUMENTS

WO	WO 2010/148082	12/2010
WO	WO 2011/140018	11/2011

OTHER PUBLICATIONS

TKO Solutions, The X-Band 2, [printed from the internet Apr. 11, 2012] <<http://tko-solutions.com/cowbell/index.php?p=catalog&parent=2&pg=1>>, 2 pgs.

Kantek, IView® Privacy Filter for Apple® iPad® [printed from the Internet on Apr. 11, 2012] <<http://www.kantek.com/proddetail.php?PID=SVT4723>>, 1 page.

Exhibit A1, Case Photograph, commercially available prior to the filing date of this application.

Exhibit A2, Case Photograph, commercially available prior to the filing date of this application.

“iPhone 4S Defender Series Case”, [Retrieved from the internet Jan. 11, 2012], <<http://www.otterbox.com/iPhone-4S-Defender-Series-Case/APL2-I4SUN,default,pd.html>>, 2 pages.

“Drop Tech Series for the Apple iPad 2”, [Retrieved from the internet Jan. 11, 2012], <<http://www.gumdropcases.com/drop-series-ipad-2-case.html>>, 2 pages.

“3M™ PF322 W Framed Lightweight Widescreen Desktop Privacy Filer”, [Retrieved from the internet Jan. 4, 2012], <[http://solutions.3m.com/wps/portal/3M/en_US/Health/Safety/Products/Related/?PC_7_RJH...>](http://solutions.3m.com/wps/portal/3M/en_US/Health/Safety/Products/Related/?PC_7_RJH...), 3 pages.

“Belkin F8Z504tt064 Ipod Lillian Classic Dual-Fit Armband (Caviar)”, [Retrieved from the internet Dec. 19, 2011], <[http://www.amazon.com/Belkin-F8Z504tt064-Lillian-Classic-Dual-Fit/dp/B002S0O7LI/r...>](http://www.amazon.com/Belkin-F8Z504tt064-Lillian-Classic-Dual-Fit/dp/B002S0O7LI/r...), 1 page.

“Igadgitz Water Resistant Neoprene Sports Gym Jogging Armband for Apple iPod Classic 80gb, 120gb & 160gb” [Retrieved from the internet Dec. 19, 2011], <[http://www.amazon.com/igadgitz-Resistant-Neoprene-Jogging-Armband/dp/B000WBDD...>](http://www.amazon.com/igadgitz-Resistant-Neoprene-Jogging-Armband/dp/B000WBDD...), 1 page.

“SportCase Sport-Ready Neoprene Case for iPod Classic 80GB, 160GB, and iPod Video 5th Generation, with adjustable armband, PN008-1003, by Philips-DLO”, [Retrieved from the Internet Dec. 19, 2011], <[http://www.amazon.com/Sport-Ready-Generation-adjustable-PN008-1003-Philips-DLO/...>](http://www.amazon.com/Sport-Ready-Generation-adjustable-PN008-1003-Philips-DLO/), 1 page.

* cited by examiner

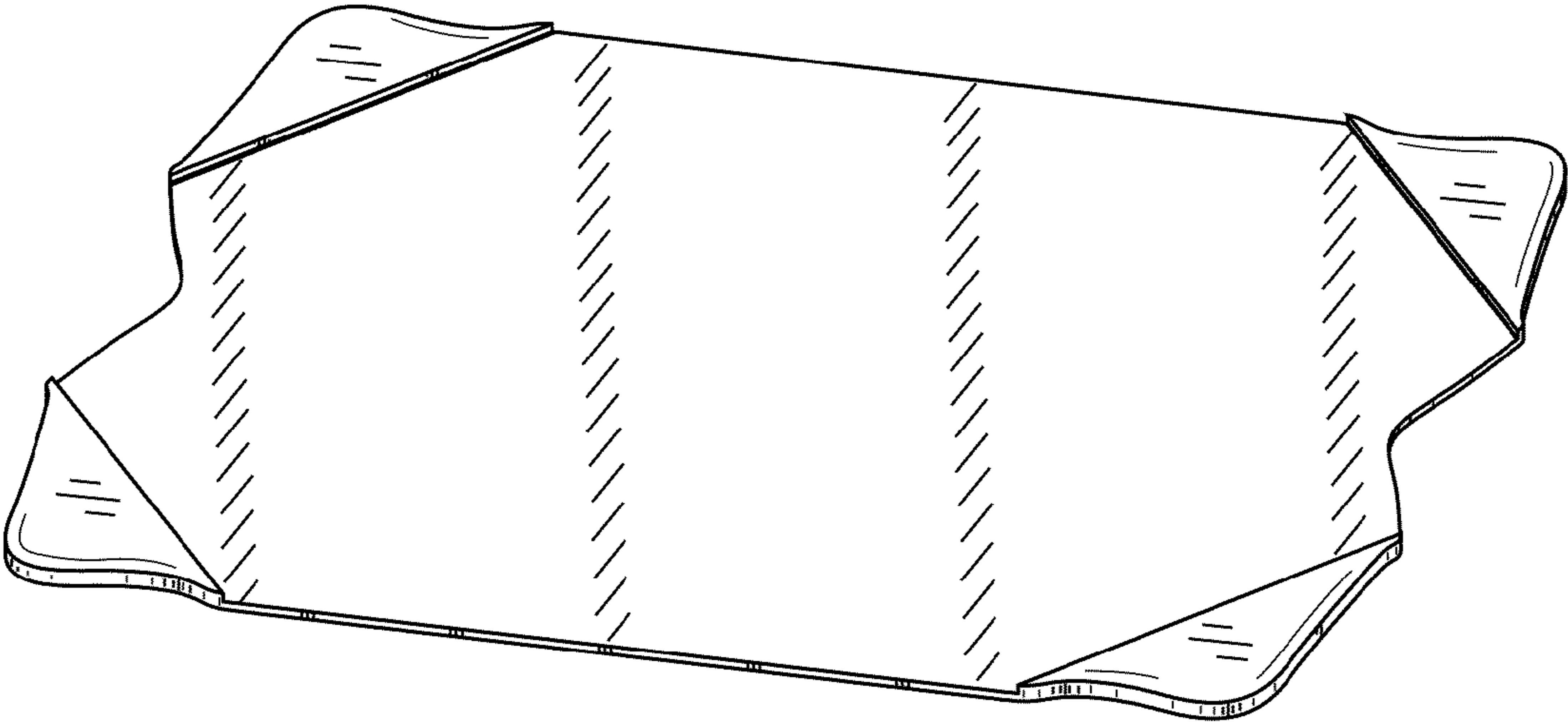


FIG. 1

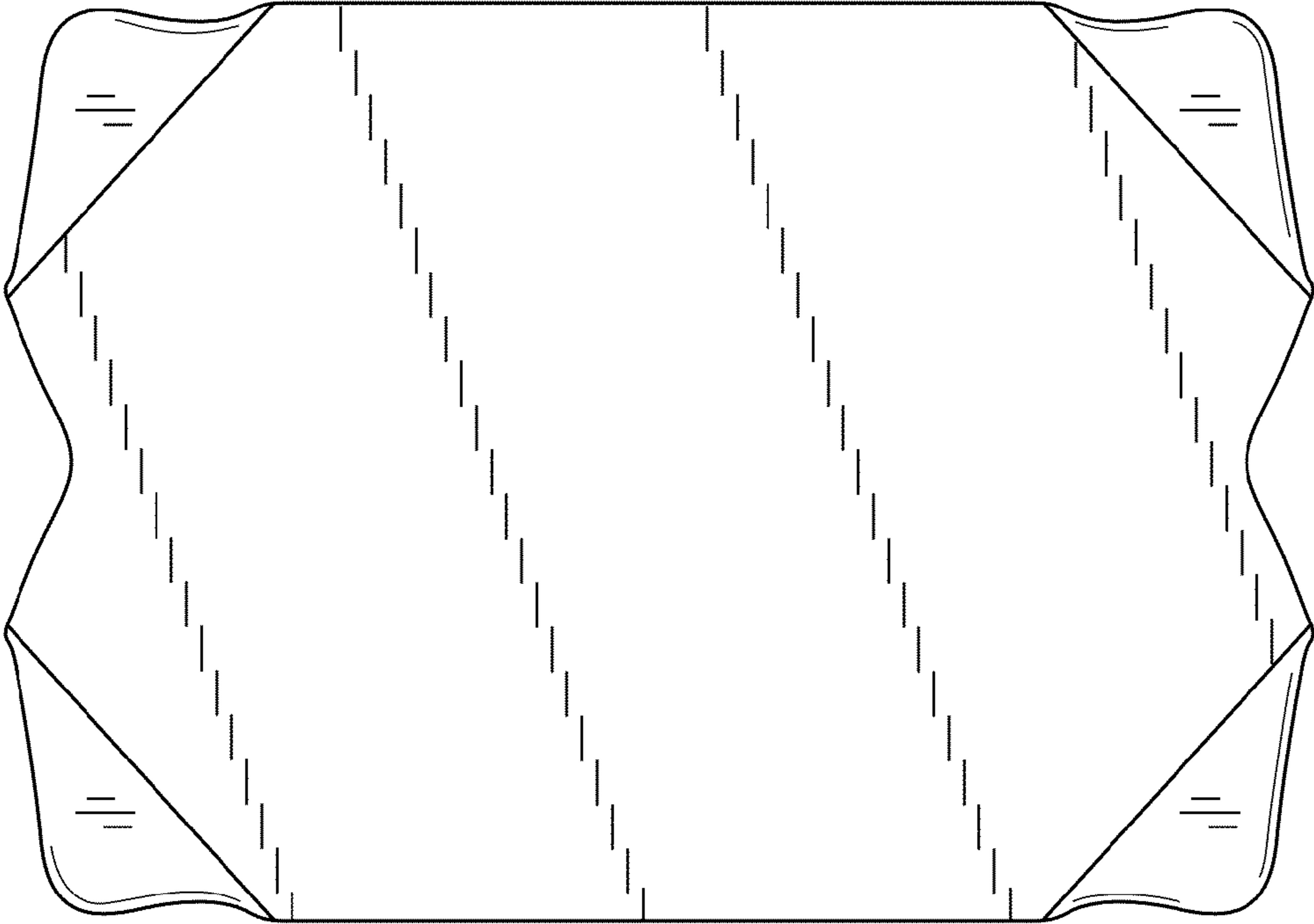


FIG. 2

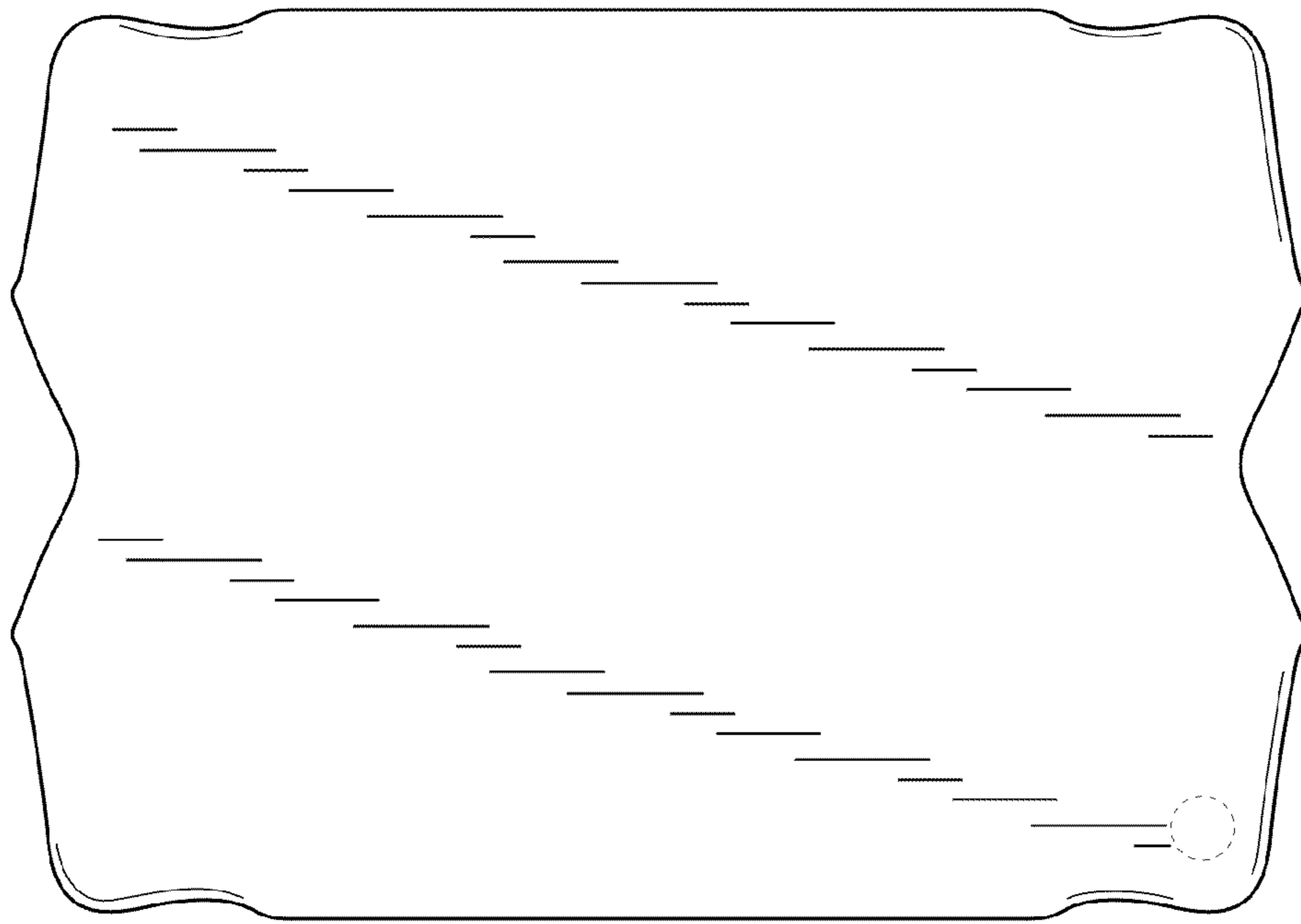


FIG. 3



FIG. 5

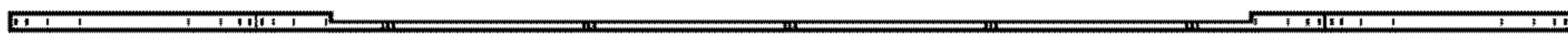


FIG. 4