



US00D678292S

(12) **United States Design Patent**
Phillips et al.

(10) **Patent No.:** **US D678,292 S**

(45) **Date of Patent:** **** Mar. 19, 2013**

(54) **DEVICE COVER**

(75) Inventors: **Alison Phillips**, Toronto (CA); **Todd Andrew Wood**, Toronto (CA); **Anders Fahrendorff**, Ottawa (CA); **Dustin Jonathan Smith**, Waterloo (CA); **Caitlin Curran-Blaney**, Toronto (CA)

(73) Assignee: **Research In Motion Limited**, Waterloo, Ontario (CA)

(**) Term: **14 Years**

(21) Appl. No.: **29/387,365**

(22) Filed: **Mar. 11, 2011**

(51) **LOC (9) Cl.** **14-02**

(52) **U.S. Cl.** **D14/440**

(58) **Field of Classification Search** D14/250,
D14/251, 253, 240, 217, 496, 440, 203.3,
D14/203.4, 203.5, 203.8; D3/218, 215, 201;
220/4.02; 248/309.1; 361/679.56; 379/426,
379/433.11, 455; 455/575.1, 575.8; 190/100;
206/305, 320

See application file for complete search history.

(56) **References Cited**

U.S. PATENT DOCUMENTS

D286,773 S * 11/1986 Pauser D14/299
D306,583 S * 3/1990 Krolopp et al. D14/137
D602,017 S * 10/2009 Andre et al. D14/341

D611,045 S * 3/2010 Andre et al. D14/327
D637,596 S * 5/2011 Akana et al. D14/341
D652,831 S * 1/2012 Lee et al. D14/315
D662,100 S * 6/2012 Van Den Nieuwenhuizen
et al. D14/440
D665,810 S * 8/2012 Jones et al. D14/440
2010/0294909 A1 * 11/2010 Hauser et al. 248/456
2010/0300909 A1 * 12/2010 Hung 206/320

* cited by examiner

Primary Examiner — Cynthia Underwood

(57) **CLAIM**

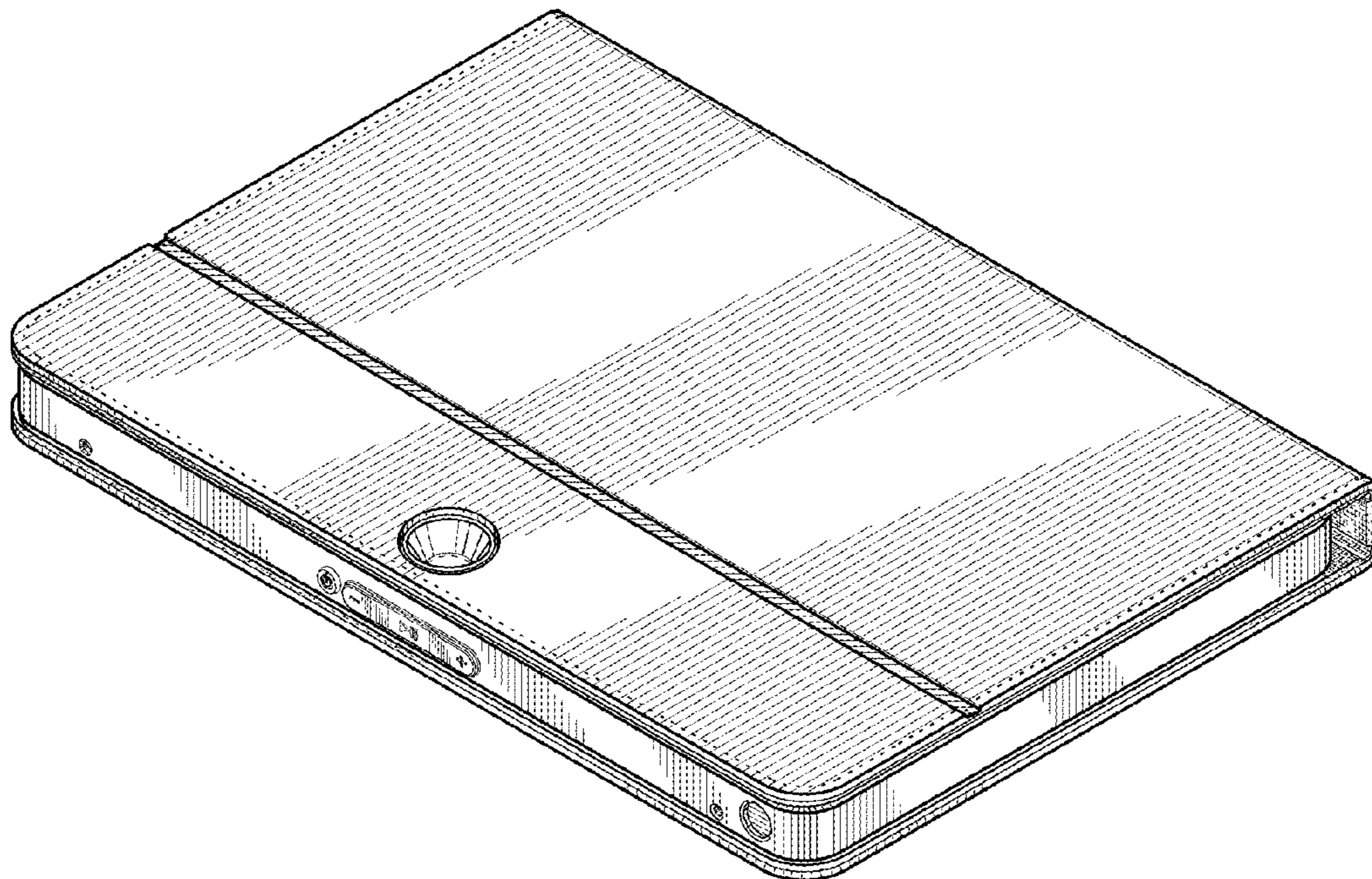
We claim the ornamental design for a device cover, as shown and described.

DESCRIPTION

FIG. 1 is a front bottom perspective view of a device cover; FIG. 2 is a back top perspective view of the device cover; FIG. 3 is a bottom plan view thereof; FIG. 4 is a top plan view thereof; FIG. 5 is a right elevational view thereof; FIG. 6 is a left elevational view thereof; FIG. 7 is a back elevational view thereof; and, FIG. 8 is a front elevational view thereof.

The broken lines shown on or along the perimeter of the device cover represent stitching and is part of the claim. The short, randomly placed wavy lines depicted in the Figures are for illustrating a texture of the device cover and form no part of the claim. The remaining broken lines shown in the drawings of the device cover are for illustrating portions of the article and form no part of the claimed design.

1 Claim, 6 Drawing Sheets



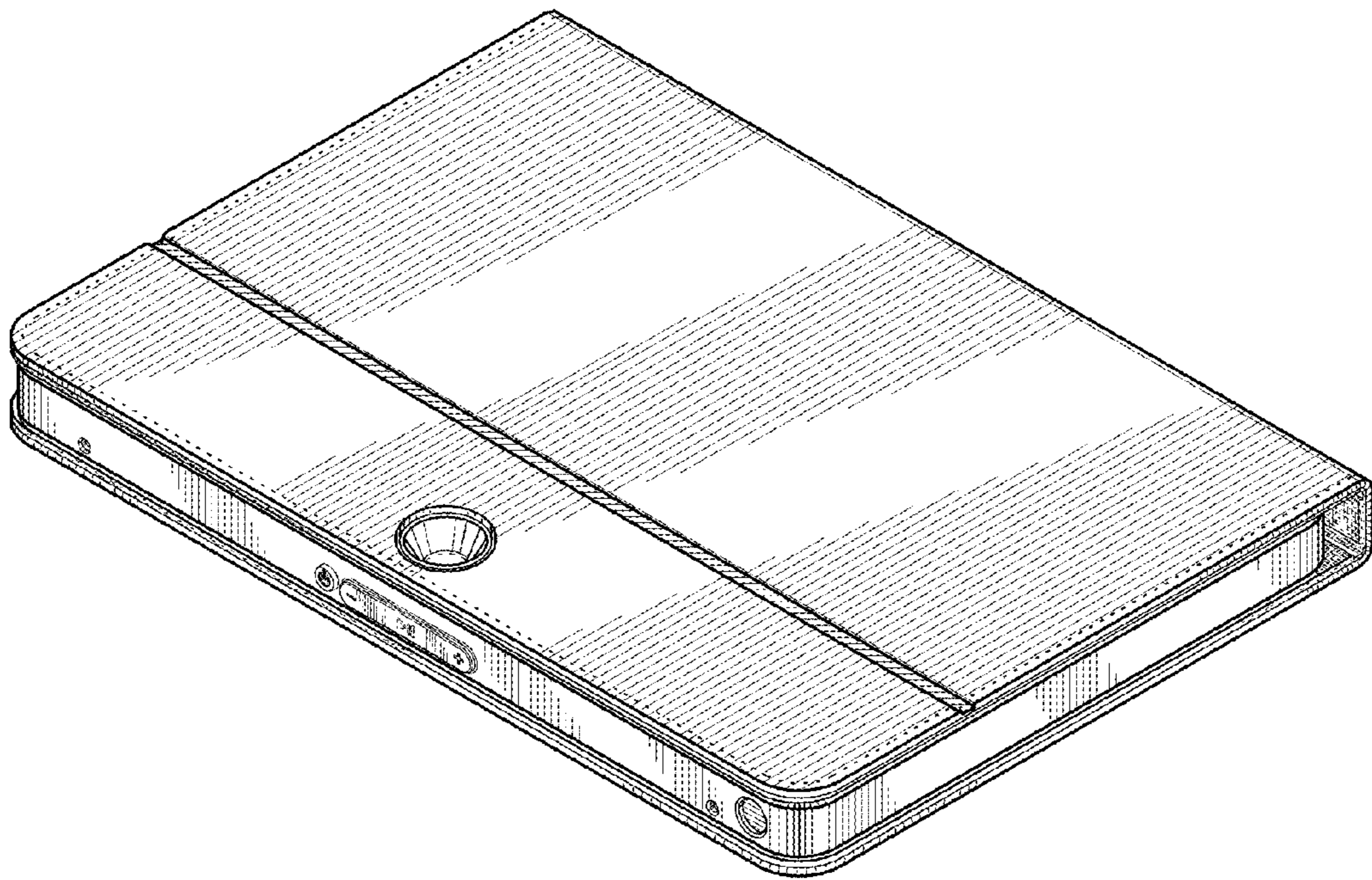


FIG.1

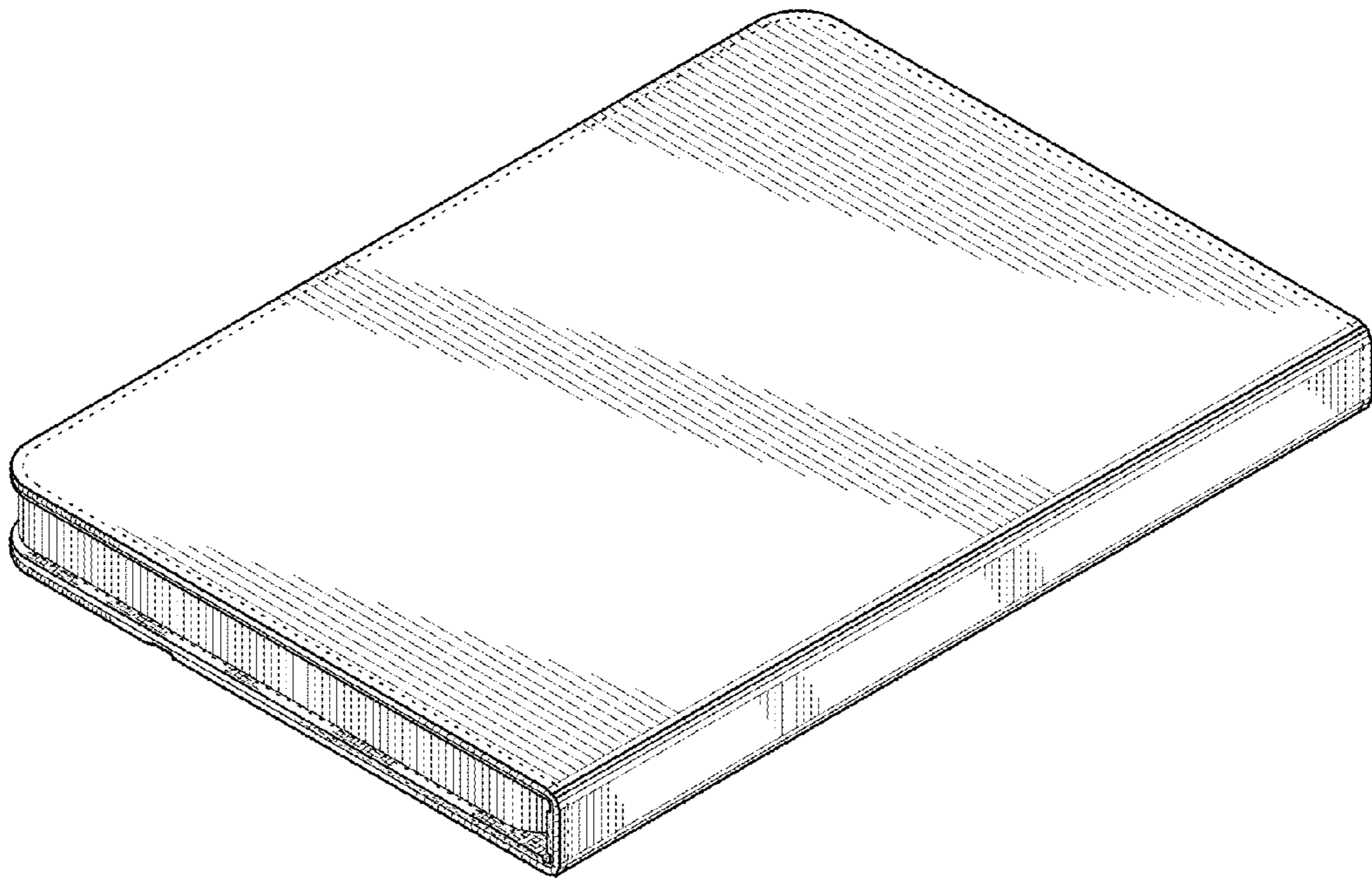


FIG.2

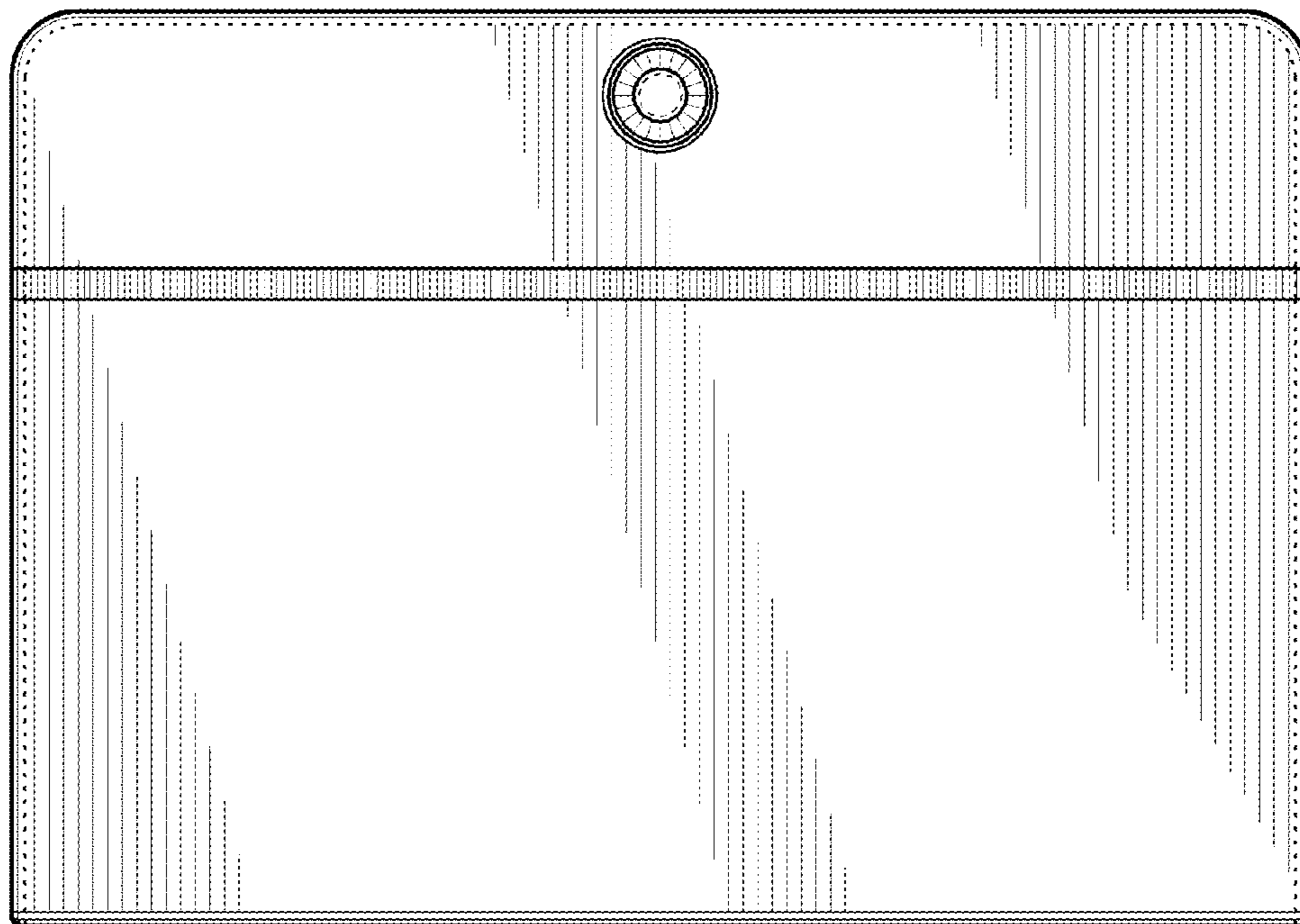


FIG.3

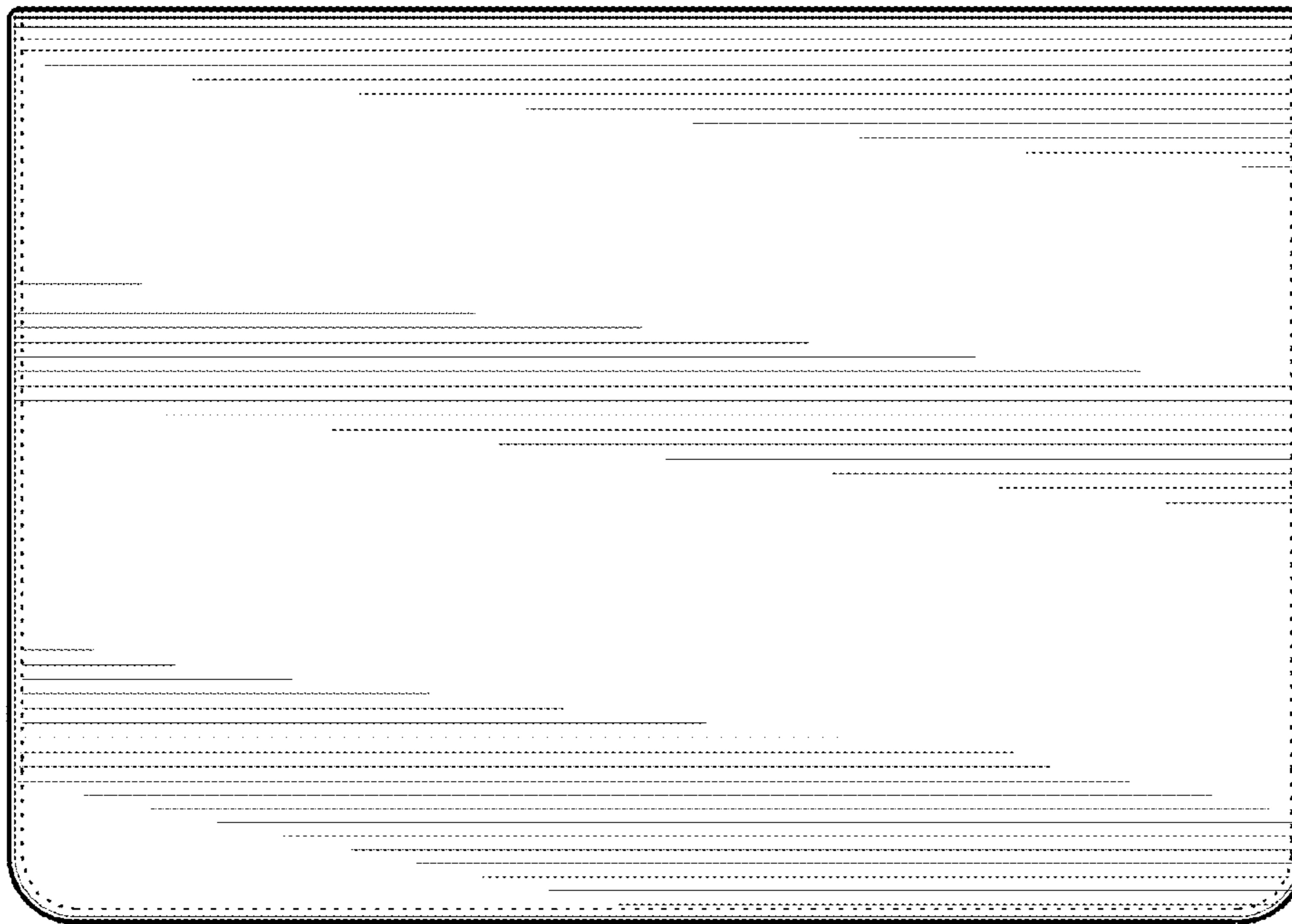


FIG.4

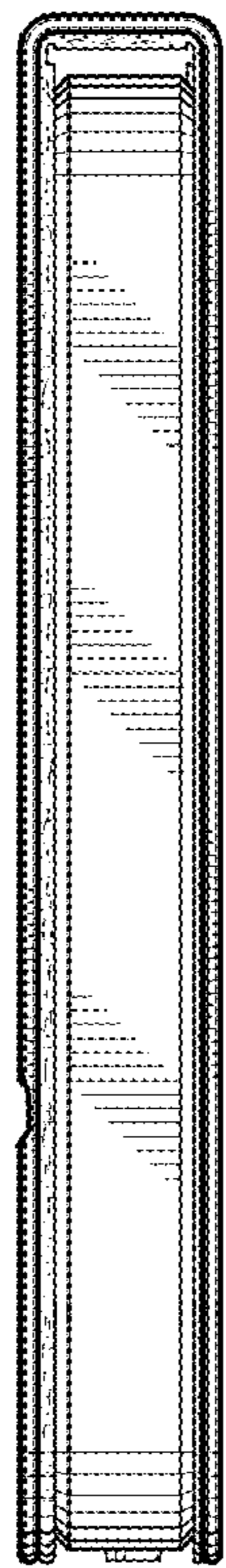


FIG. 5

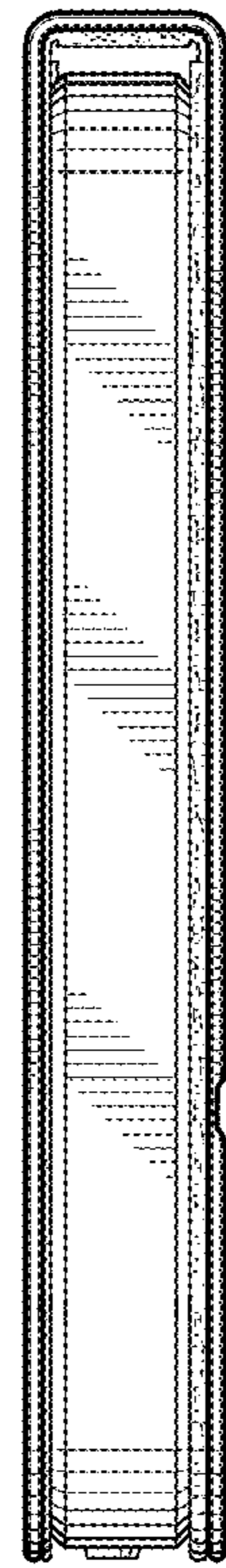


FIG. 6

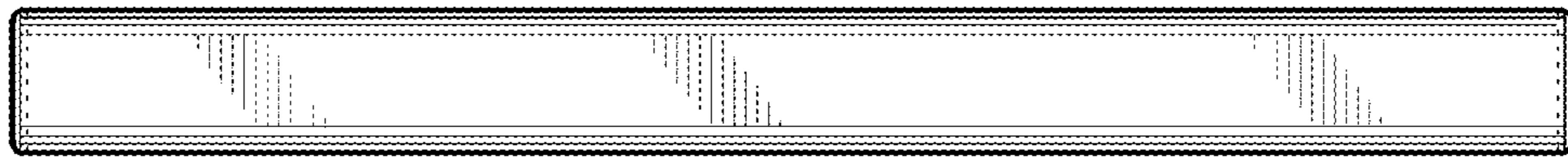


FIG. 7

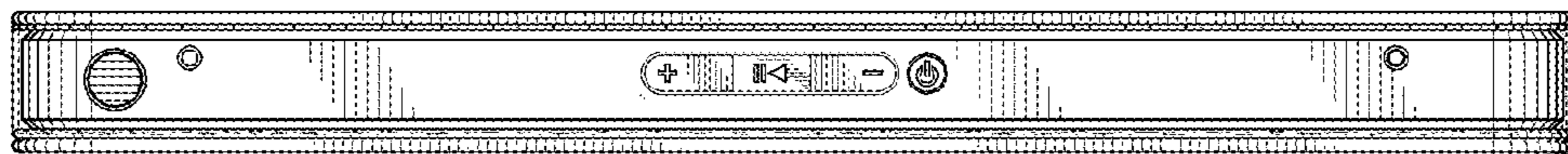


FIG. 8