



US00D678291S

(12) **United States Design Patent**
Phillips et al.

(10) **Patent No.:** **US D678,291 S**
(45) **Date of Patent:** **** Mar. 19, 2013**

(54) **DEVICE COVER**

(75) Inventors: **Alison Phillips**, Toronto (CA); **Todd Andrew Wood**, Toronto (CA); **Anders Fahrendorff**, Ottawa (CA); **Dustin Jonathan Smith**, Waterloo (CA)

(73) Assignee: **Research In Motion Limited**, Waterloo, Ontario (CA)

(**) Term: **14 Years**

(21) Appl. No.: **29/387,247**

(22) Filed: **Mar. 10, 2011**

(51) **LOC (9) Cl.** **14-02**

(52) **U.S. Cl.** **D14/440**

(58) **Field of Classification Search** D14/250,
D14/251, 253, 240, 217, 496, 440, 203.3,
D14/203.4, 203.5, 203.8, 432, 439, 300;
D3/218, 215, 201; 220/4.02; 248/309.1;
361/679.56, 679.03; 379/426, 433.11, 455;
455/575.1, 575.8; 190/100; 206/305, 320
See application file for complete search history.

(56) **References Cited**

U.S. PATENT DOCUMENTS

D286,773	S	*	11/1986	Pauser	D14/299
4,718,550	A	*	1/1988	Johnson	206/387.13
D306,583	S	*	3/1990	Krolopp et al.	D14/137
D546,878	S	*	7/2007	Bharma	D19/26
D579,975	S	*	11/2008	Brown	D19/26
D600,699	S	*	9/2009	Johnston et al.	D14/440
D602,017	S	*	10/2009	Andre et al.	D14/341
D611,045	S	*	3/2010	Andre et al.	D14/327
D637,596	S	*	5/2011	Akana et al.	D14/341

D652,831	S	*	1/2012	Lee et al.	D14/315
D659,139	S	*	5/2012	Gengler	D14/392
D662,100	S	*	6/2012	Van Den Nieuwenhuizen et al.	D14/440
8,230,992	B2	*	7/2012	Law et al.	206/320
D665,810	S	*	8/2012	Jones et al.	D14/440
2001/0040561	A1	*	11/2001	Weinzierl et al.	345/169
2010/0294909	A1	*	11/2010	Hauser et al.	248/456
2010/0300909	A1	*	12/2010	Hung	206/320
2012/0043231	A1	*	2/2012	Perrier et al.	206/216

* cited by examiner

Primary Examiner — Cynthia Underwood

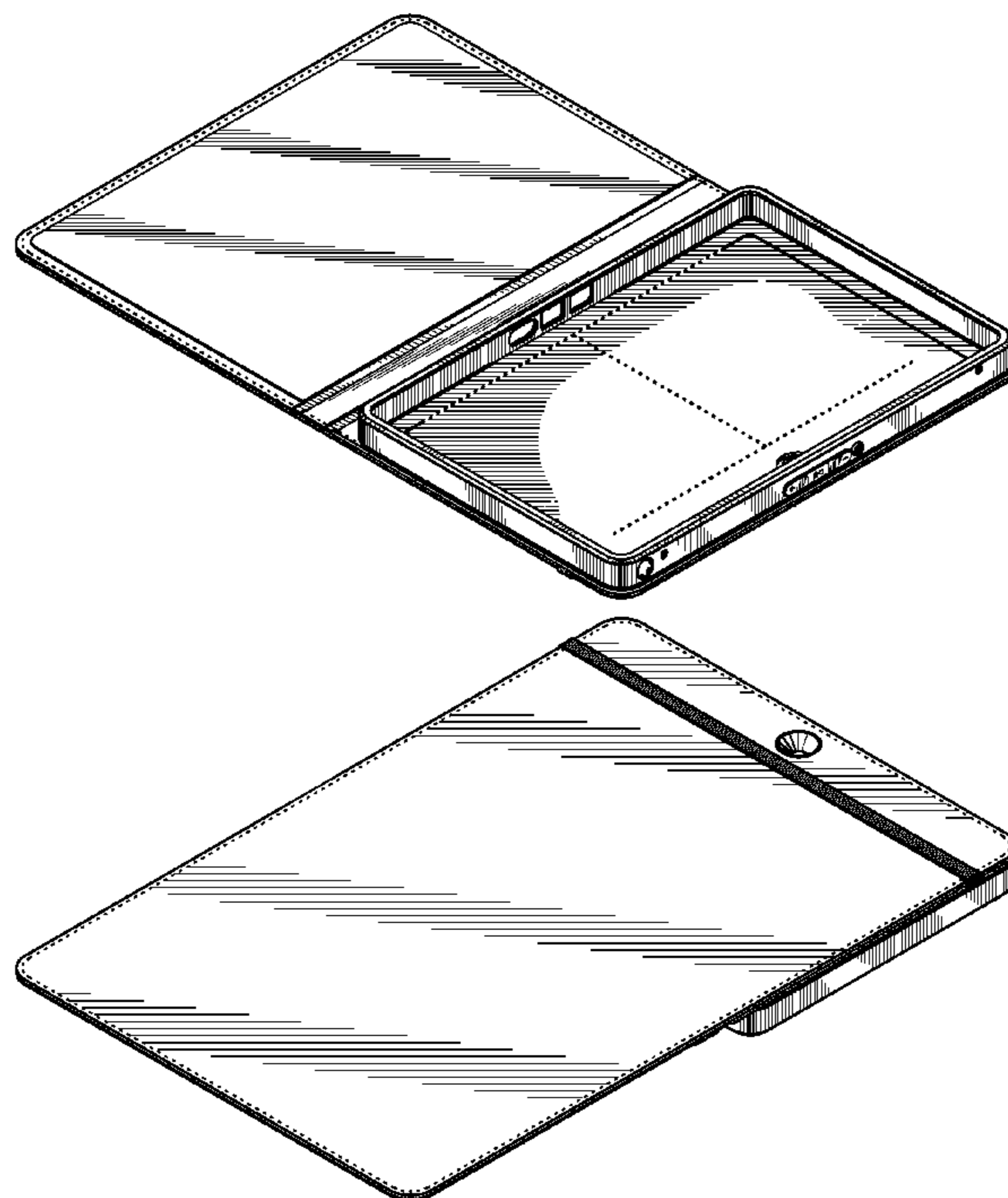
(57) **CLAIM**

We claim the ornamental design for a device cover, as shown and described.

DESCRIPTION

FIG. 1 is a front perspective view of a device cover;
FIG. 2 is a back bottom perspective view of the device cover;
FIG. 3 is a top plan view thereof;
FIG. 4 is a bottom plan view thereof;
FIG. 5 is a right elevational view thereof;
FIG. 6 is a left elevational view thereof;
FIG. 7 is a back elevational view thereof; and,
FIG. 8 is a front elevational view thereof.
The broken lines shown on or along the perimeter of the device cover represent stitching and are part of the claim. The short, randomly placed undulating lines depicted in the figures are for illustrating a texture of the device cover and form part of the claim. The broken lines shown in the hole on FIGS. 2, 3 and 4 represent the boundary of the claim.

1 Claim, 6 Drawing Sheets



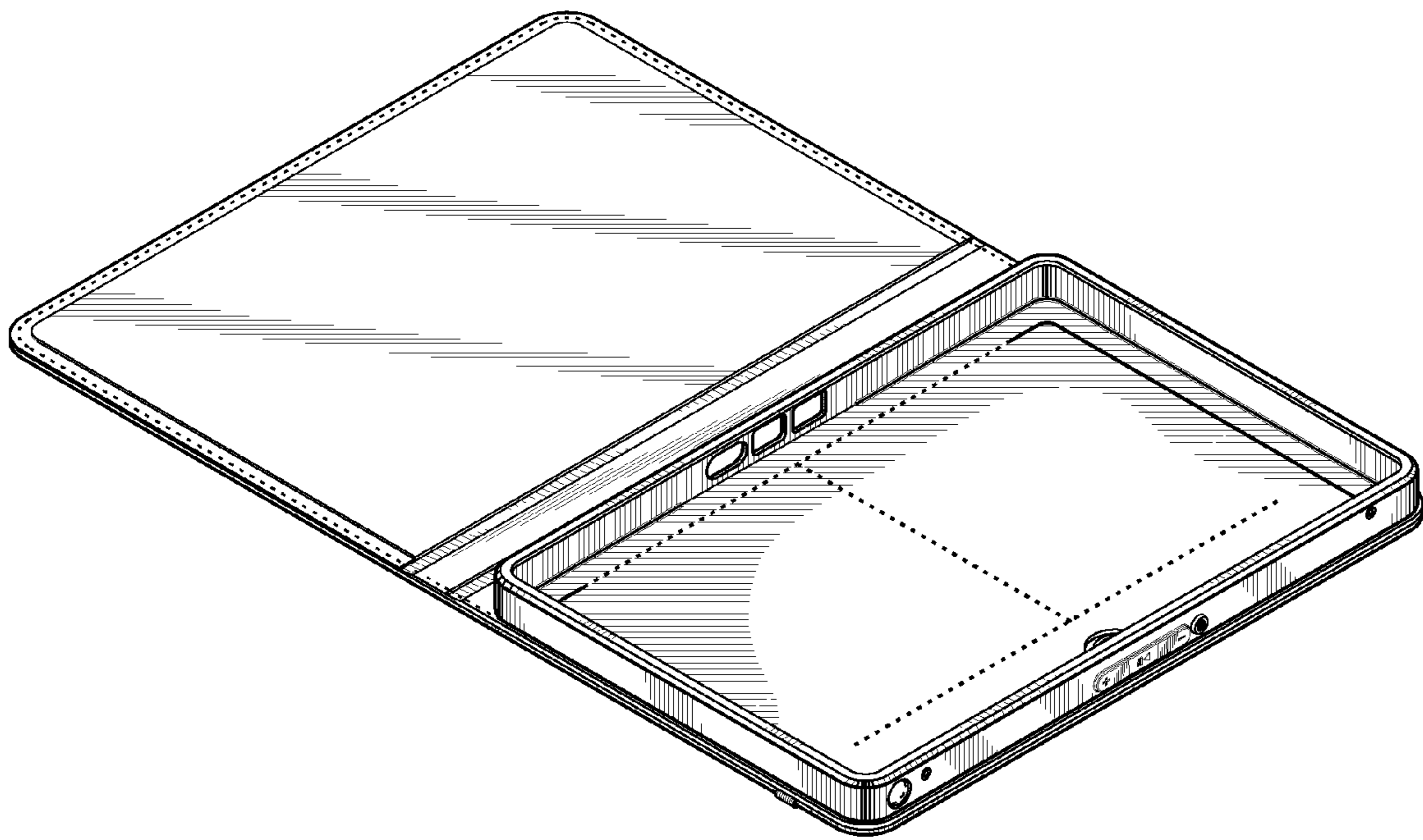


FIG. 1

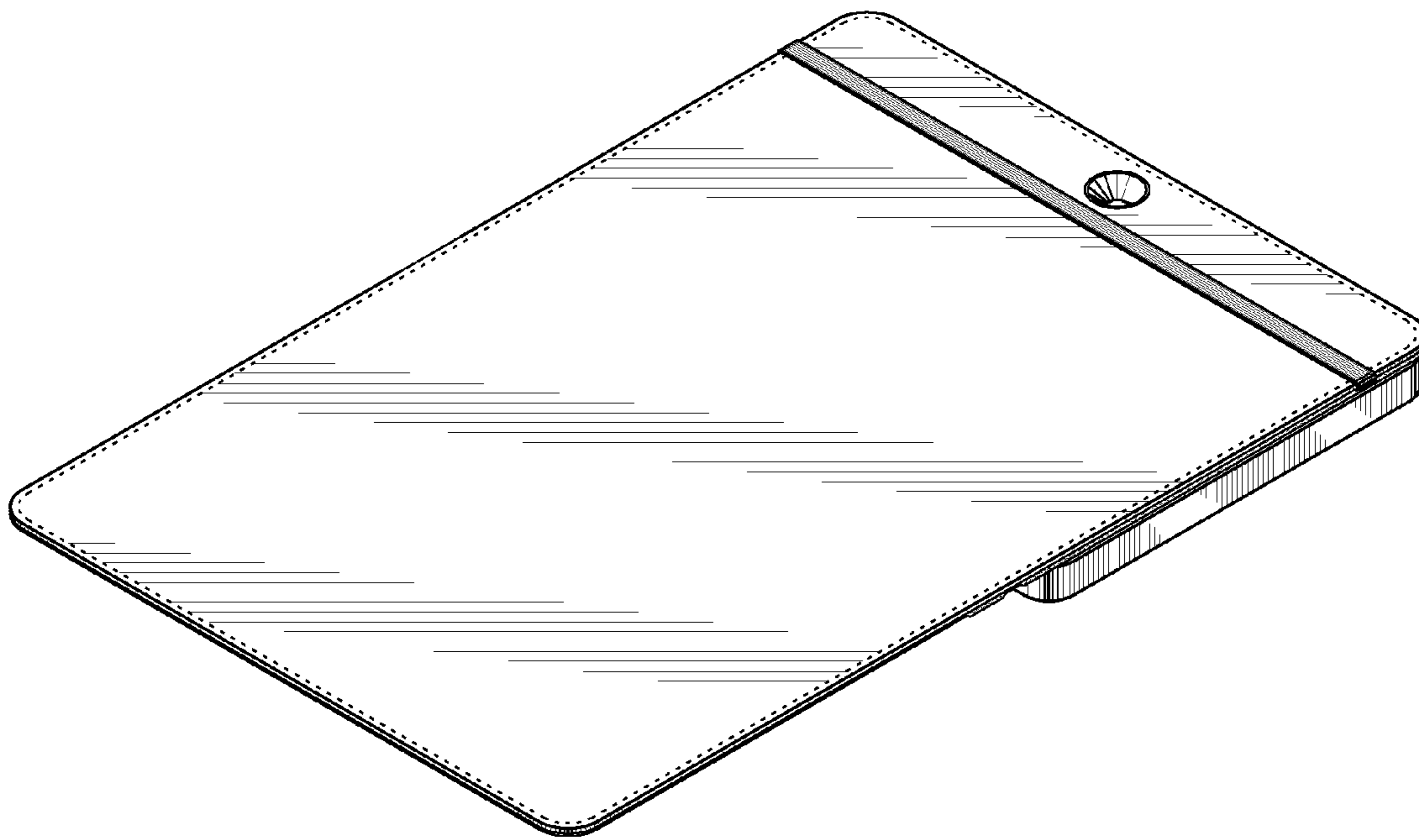


FIG.2

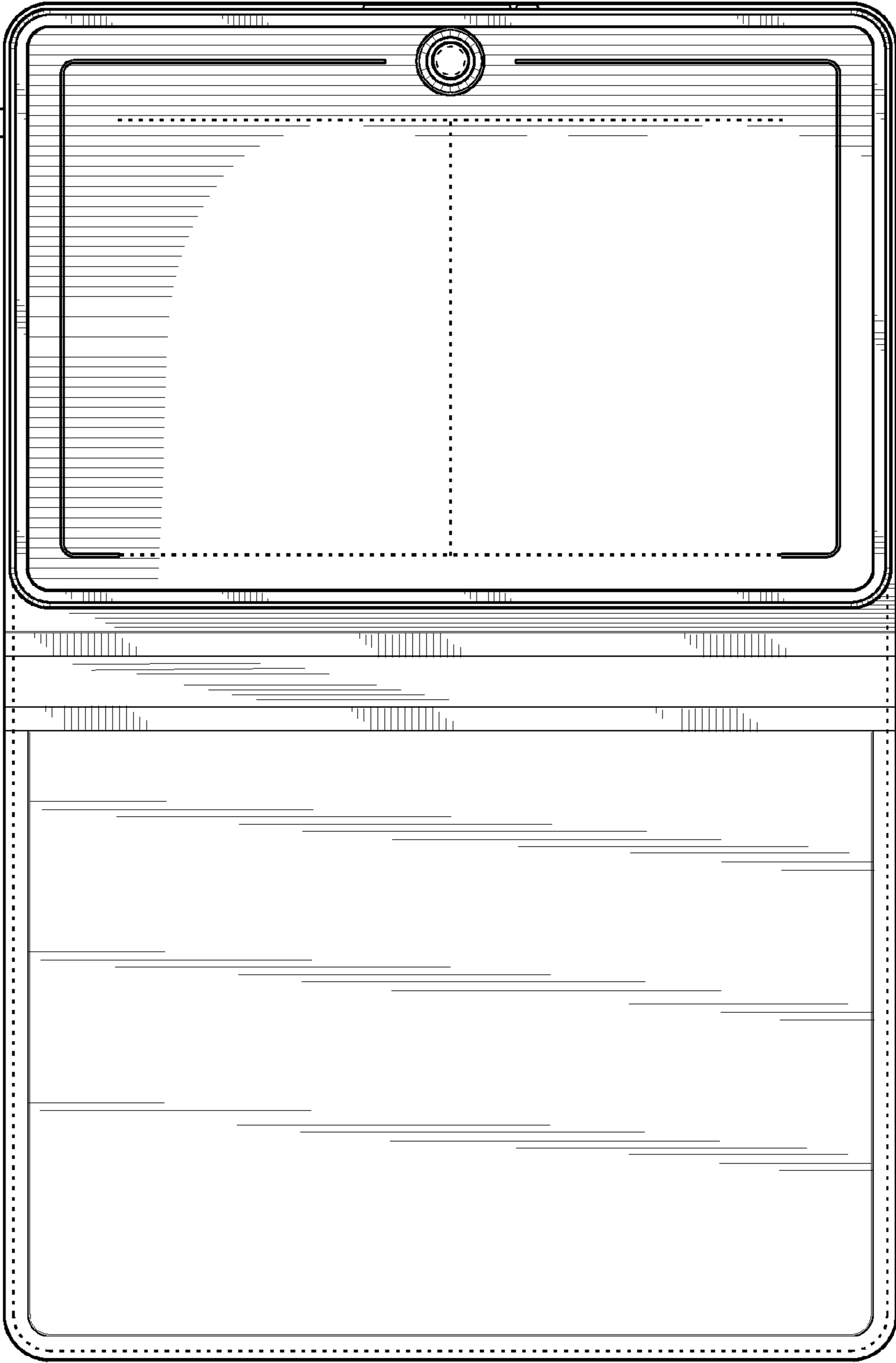


FIG.3

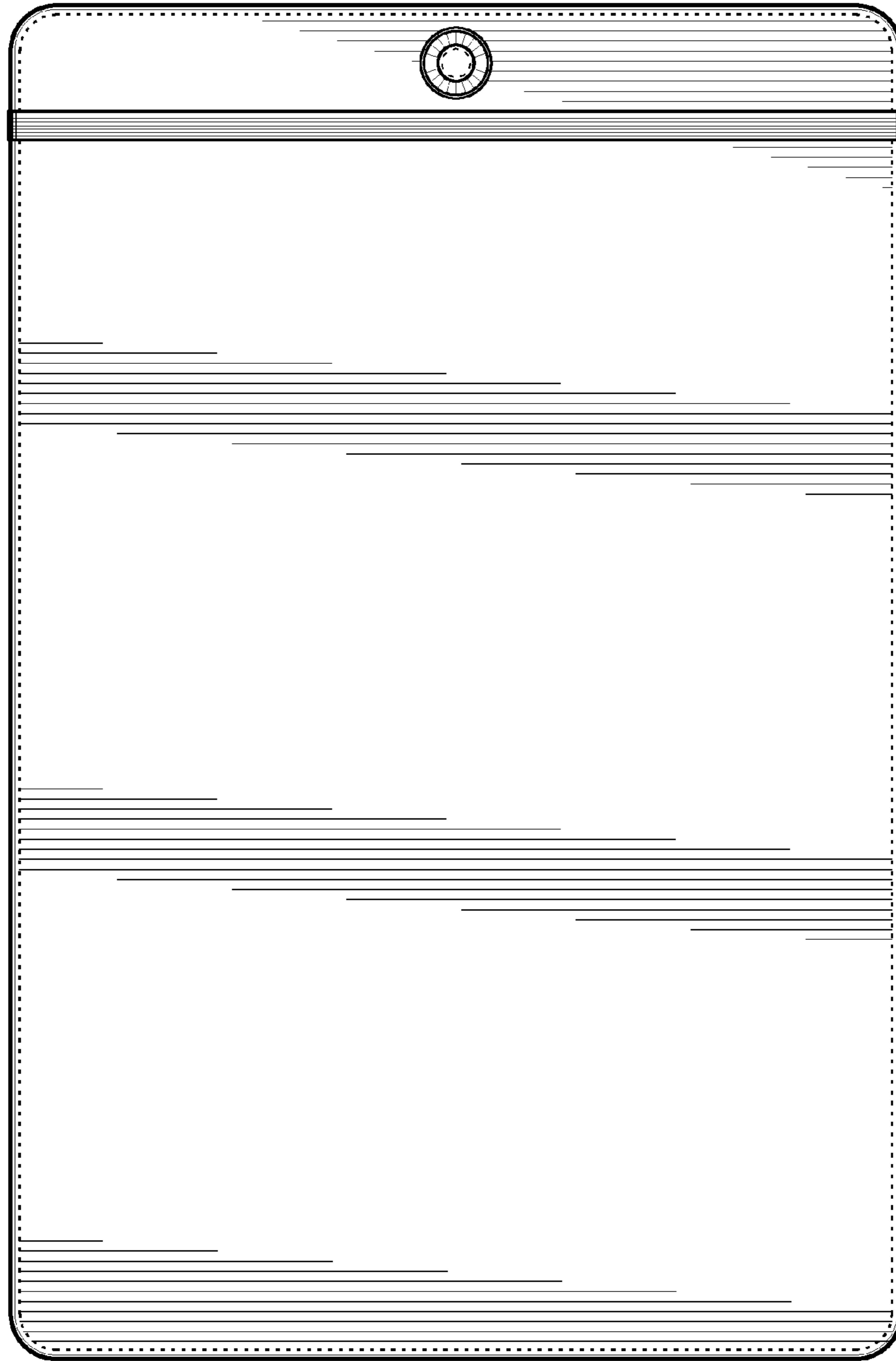


FIG.4

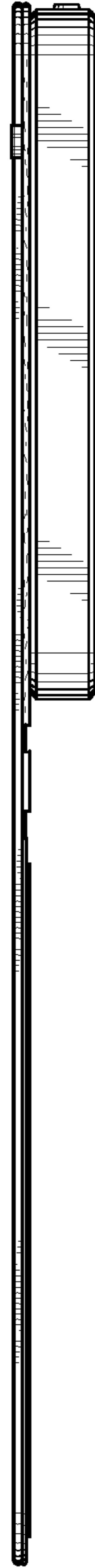


FIG. 5

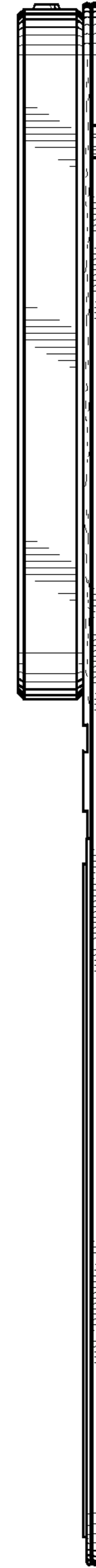


FIG. 6

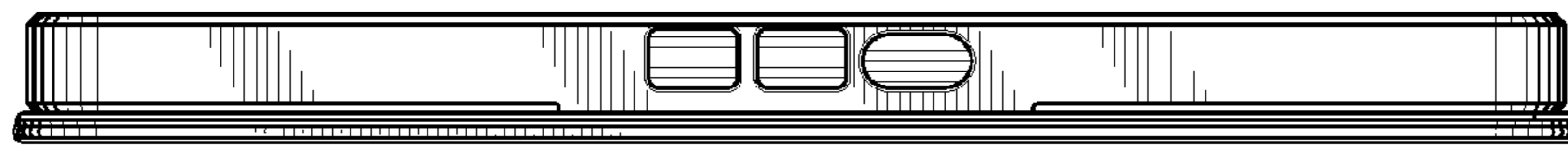


FIG. 7

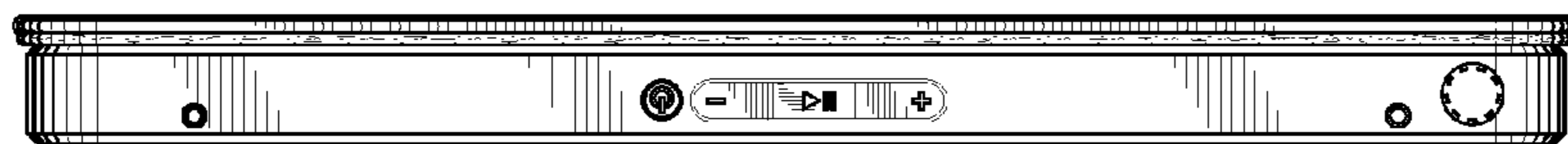


FIG. 8