



US00D678290S

(12) **United States Design Patent**
Smith et al.

(10) **Patent No.:** **US D678,290 S**
(45) **Date of Patent:** **** Mar. 19, 2013**

(54) **HANDHELD ELECTRONIC DEVICE SKIN**

(75) Inventors: **Dustin Jonathan Smith**, Waterloo (CA);
Todd Andrew Wood, Toronto (CA);
Anders Fahrendorff, Ottawa (CA)

(73) Assignee: **Research In Motion Limited**, Waterloo,
Ontario (CA)

(**) Term: **14 Years**

(21) Appl. No.: **29/385,040**

(22) Filed: **Feb. 8, 2011**

(51) **LOC (9) Cl.** **14-02**

(52) **U.S. Cl.** **D14/440**

(58) **Field of Classification Search** D14/250,
D14/251, 253, 240, 217, 496, 440, 203.3,
D14/203.4, 203.5, 203.8, 432, 439, 300;
D3/218, 215, 201; 220/4.02; 248/309.1;
361/679.56; 379/426, 433.11, 455; 455/575.1,
455/575.8; 190/100; 206/305, 320

See application file for complete search history.

(56) **References Cited**

U.S. PATENT DOCUMENTS

D469,438 S * 1/2003 Corrales D14/432
7,542,052 B2 * 6/2009 Solomon et al. 345/659
D609,226 S * 2/2010 Hofer et al. D14/248
8,016,107 B2 * 9/2011 Emsky 206/320
D646,266 S * 10/2011 Kim et al. D14/250

D654,069 S * 2/2012 Kwon et al. D14/250
8,132,670 B1 * 3/2012 Chen 206/320
D659,139 S * 5/2012 Gengler D14/392
D662,503 S * 6/2012 Akana et al. D14/439
D665,809 S * 8/2012 Wang et al. D14/439
8,245,843 B1 * 8/2012 Wu 206/320
2010/0289390 A1 * 11/2010 Kenney 312/223.1

* cited by examiner

Primary Examiner — Cynthia Underwood

(57) **CLAIM**

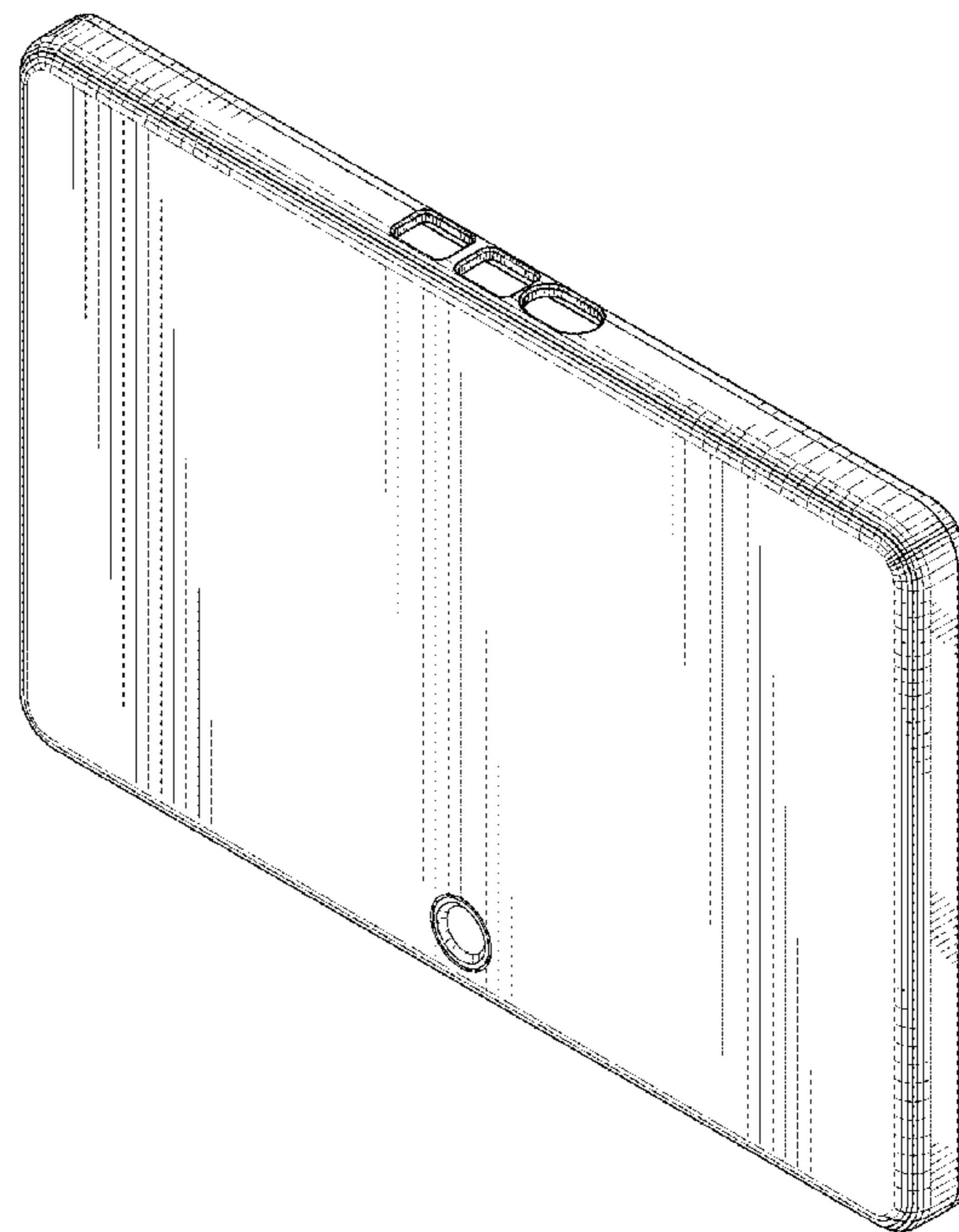
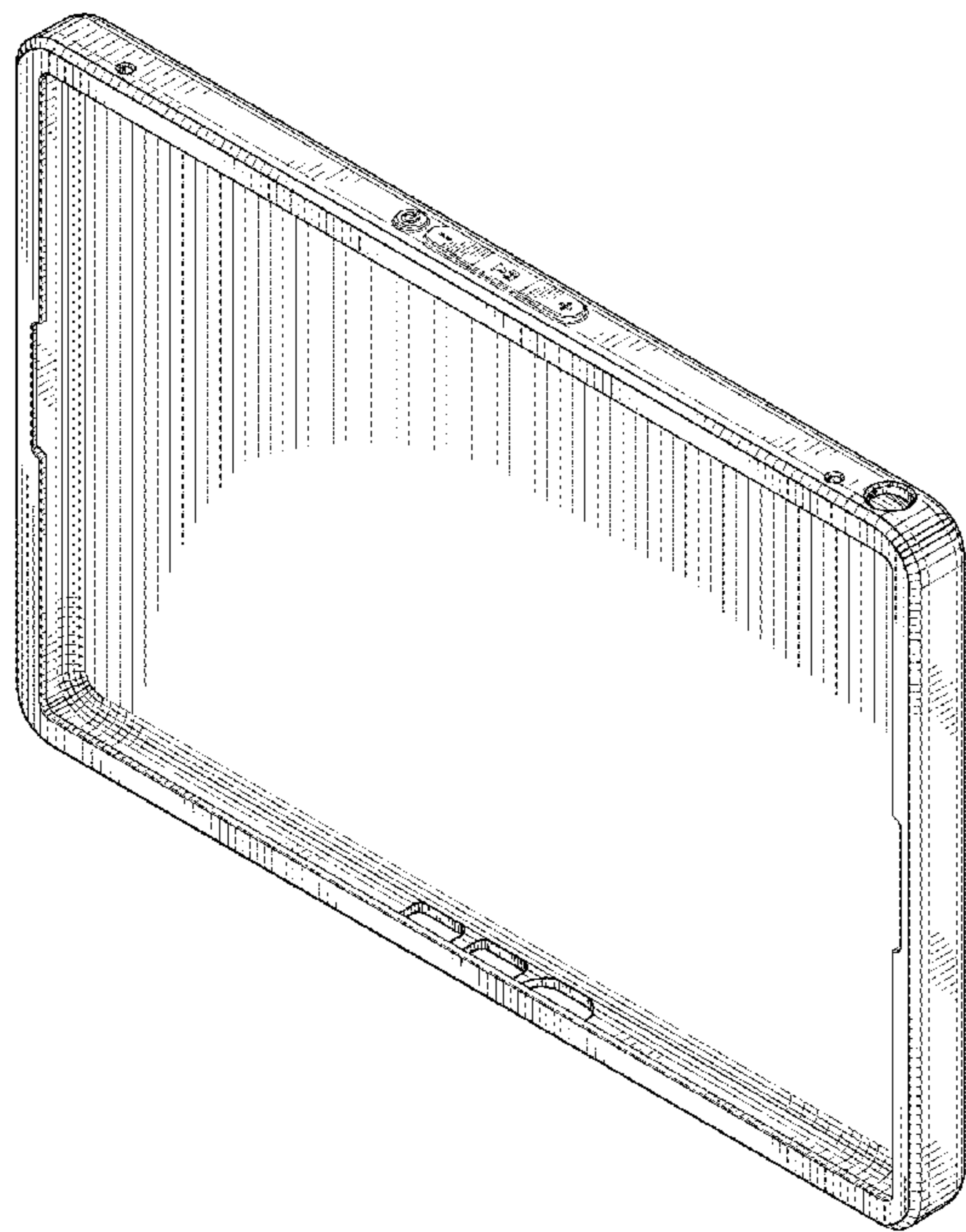
We claim the ornamental design for a handheld electronic device skin, as shown and described.

DESCRIPTION

FIG. 1 is a front perspective view of a handheld electronic device skin;
FIG. 2 is a back bottom perspective view of the handheld electronic device skin;
FIG. 3 is a back elevational view of thereof;
FIG. 4 is a front elevational view thereof;
FIG. 5 is a left elevational view thereof;
FIG. 6 is a right elevational view thereof;
FIG. 7 is a top plan view thereof; and,
FIG. 8 is a bottom plan view thereof.

The broken lines shown in the drawings for the handheld electronic device skin are for illustrating portions of the article and form no part of the claimed design.

1 Claim, 6 Drawing Sheets



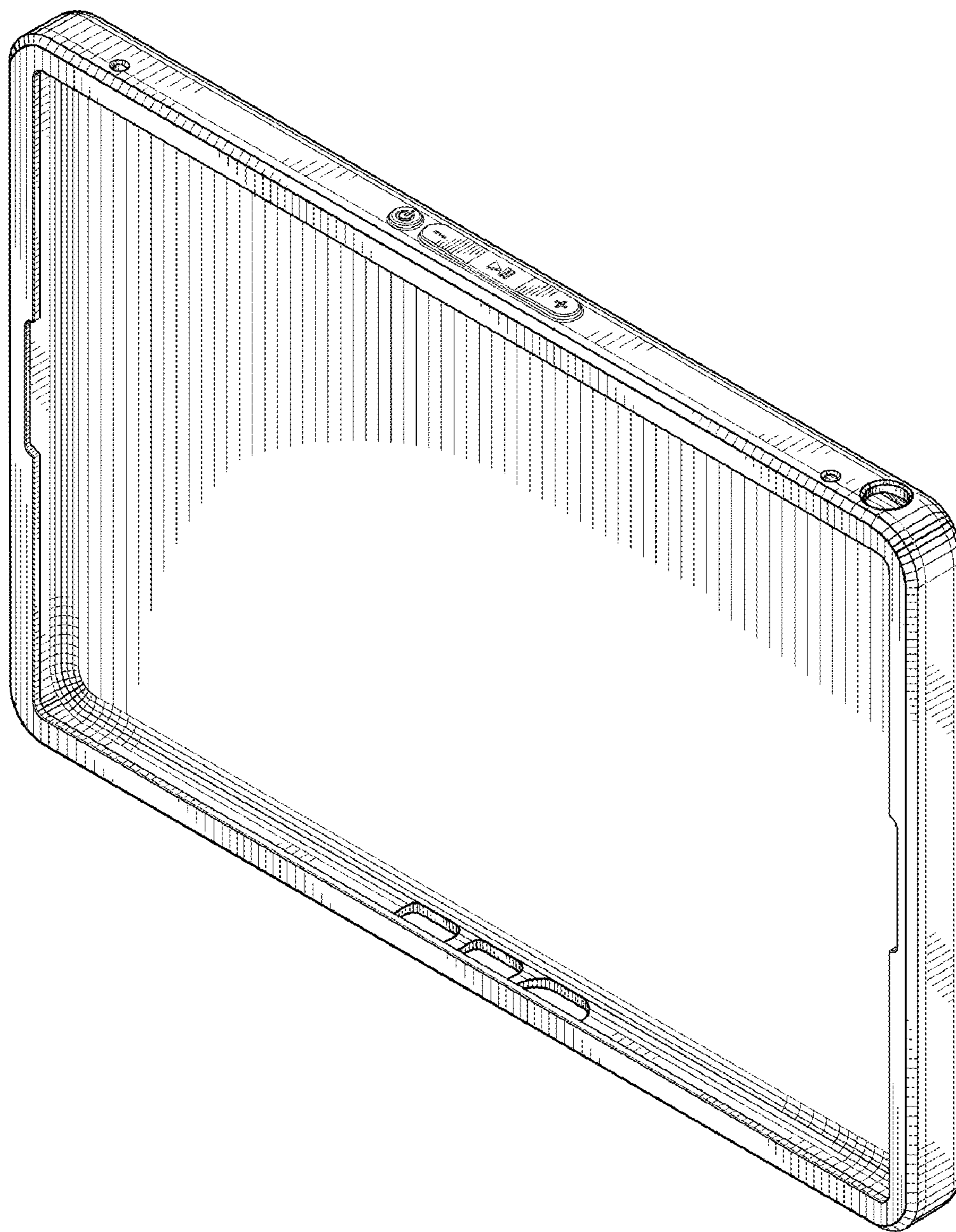


FIG. 1

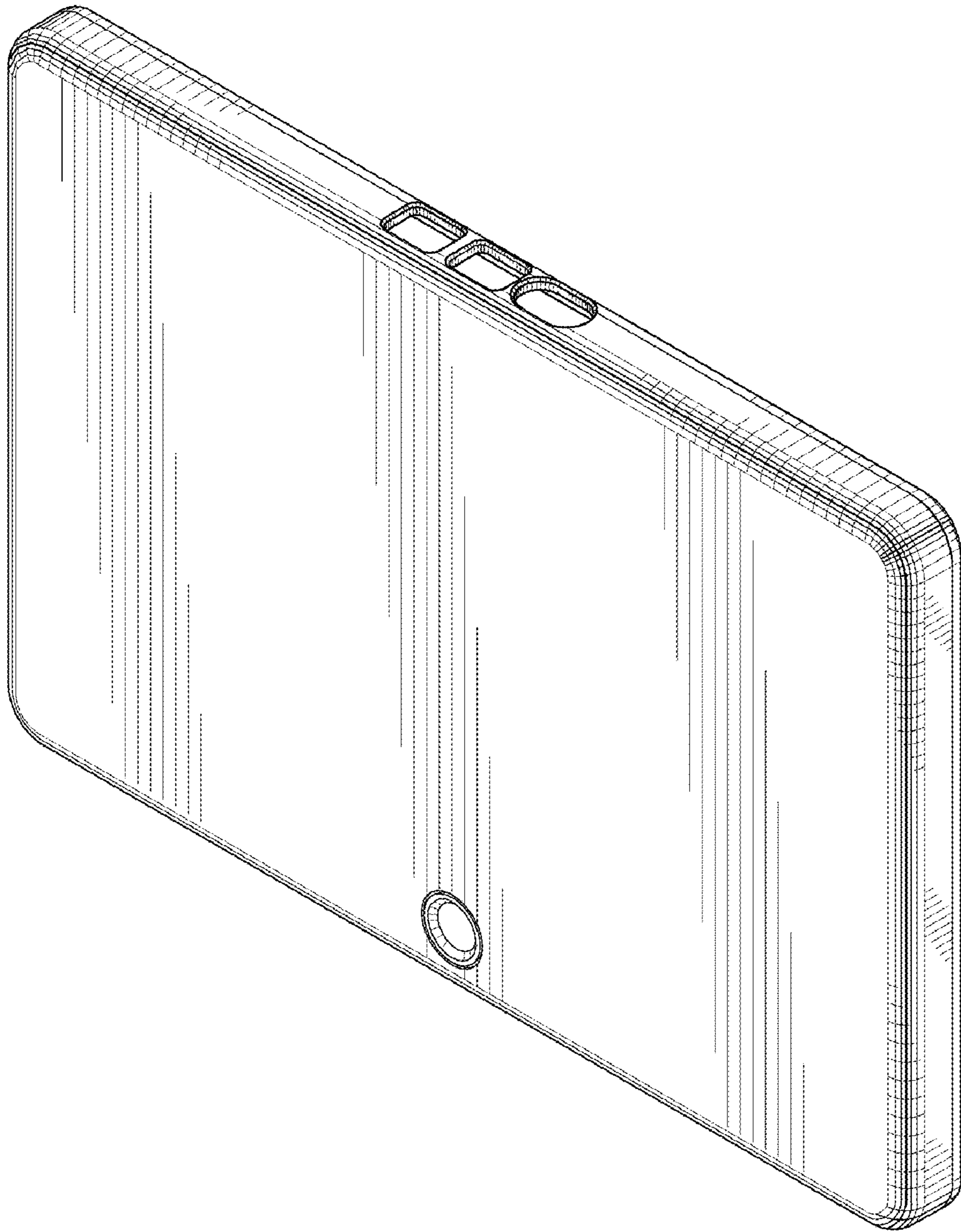


FIG.2

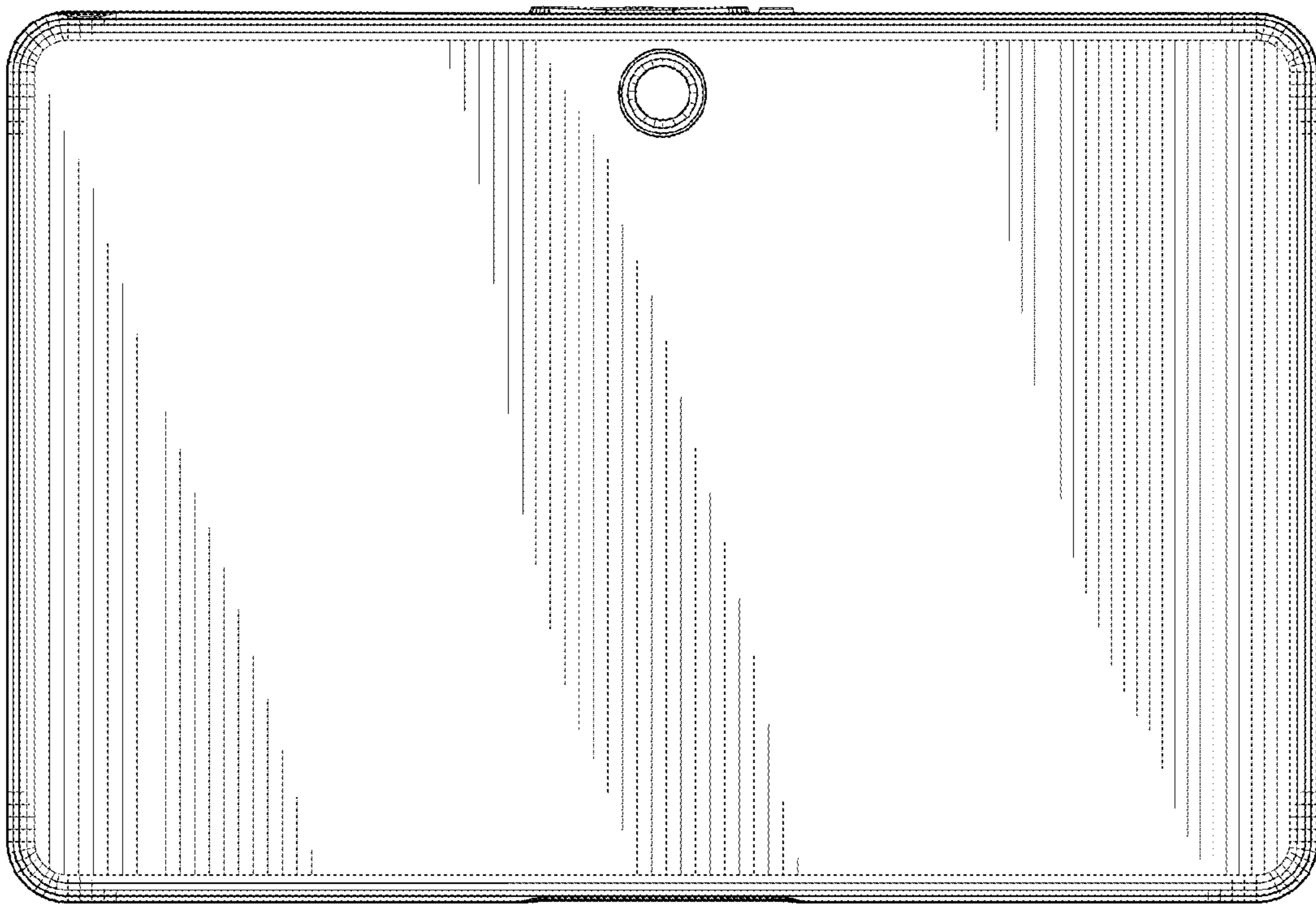


FIG.3

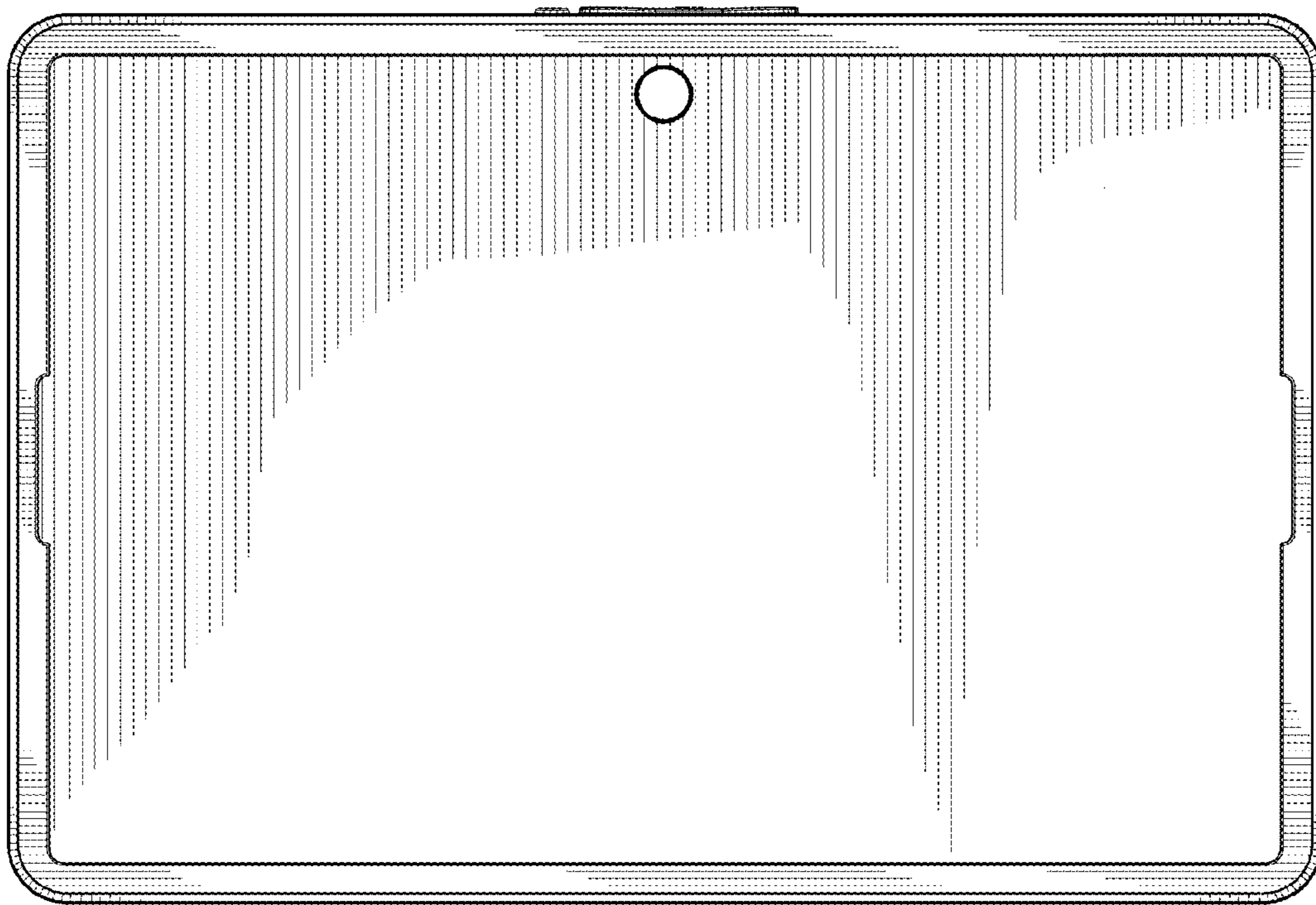


FIG.4

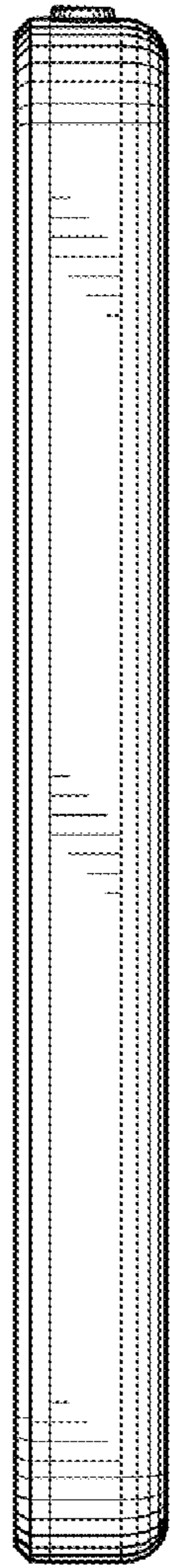


FIG. 5

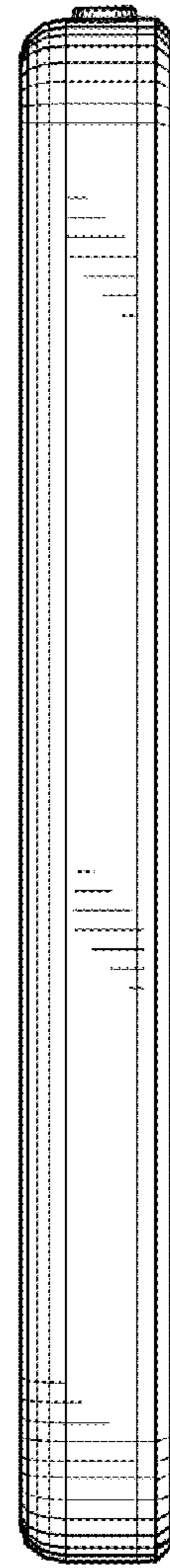


FIG. 6

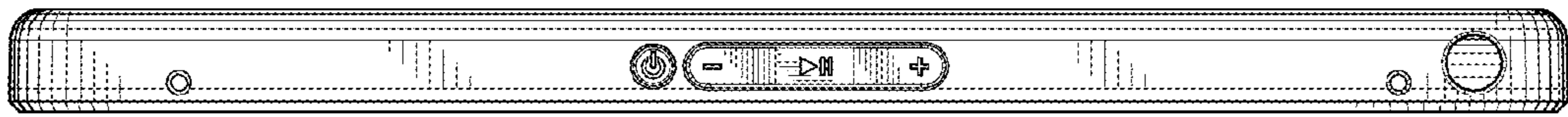


FIG.7

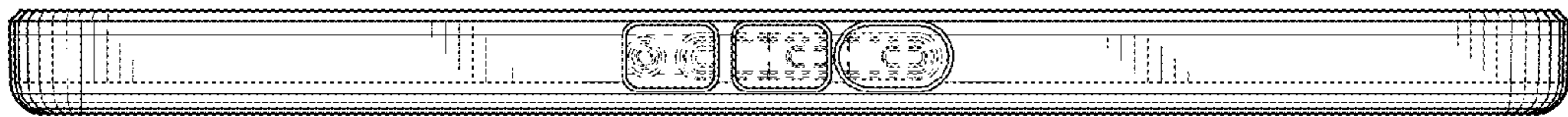


FIG.8