



US00D678289S

(12) **United States Design Patent**  
**Searby**

(10) **Patent No.:** **US D678,289 S**  
(45) **Date of Patent:** **\*\* Mar. 19, 2013**

(54) **EXPANSION SLOT FILLER-CARD GUIDE**

(75) Inventor: **Tommy J. Searby**, Eaton, CO (US)

(73) Assignee: **Hewlett-Packard Development Company, L.P.**, Houston, TX (US)

(\*\*) Term: **14 Years**

(21) Appl. No.: **29/422,900**

(22) Filed: **May 24, 2012**

(51) **LOC (9) Cl.** ..... **14-02**

(52) **U.S. Cl.** ..... **D14/439**

(58) **Field of Classification Search** ..... D14/300-302,  
D14/308-313, 314, 348, 353-355, 432, 439-446;  
361/679.02, 679.31, 679.5, 690, 694, 679.23,  
361/801, 802; 312/332.1, 334.1  
See application file for complete search history.

(56) **References Cited**

**U.S. PATENT DOCUMENTS**

3,878,438	A *	4/1975	Weisman	.....	361/802
4,007,403	A *	2/1977	Fiege	.....	361/748
5,533,631	A *	7/1996	Marchetti	.....	211/41.17
5,806,949	A *	9/1998	Johnson	.....	312/334.7
5,914,854	A *	6/1999	Holt	.....	361/679.23
D446,788	S *	8/2001	Chen	.....	D14/439
D447,144	S *	8/2001	Chen	.....	D14/439
6,378,965	B1 *	4/2002	Reznikov et al.	.....	312/332.1
6,385,036	B1 *	5/2002	Chien	.....	361/679.58
6,396,690	B1 *	5/2002	Blatti	.....	361/690
6,853,551	B2 *	2/2005	Baar et al.	.....	361/679.33

7,046,506	B2 *	5/2006	Olzak	.....	361/801
D545,321	S *	6/2007	Frank et al.	.....	D14/439
D558,765	S *	1/2008	Fitler et al.	.....	D14/385
D589,517	S *	3/2009	Chien et al.	.....	D14/439
7,780,361	B2 *	8/2010	Harris	.....	385/92
D627,357	S *	11/2010	Searby et al.	.....	D14/439
8,243,460	B2 *	8/2012	Searby	.....	361/756
2003/0184964	A1 *	10/2003	Neukam et al.	.....	361/685

\* cited by examiner

*Primary Examiner* — Austin Murphy

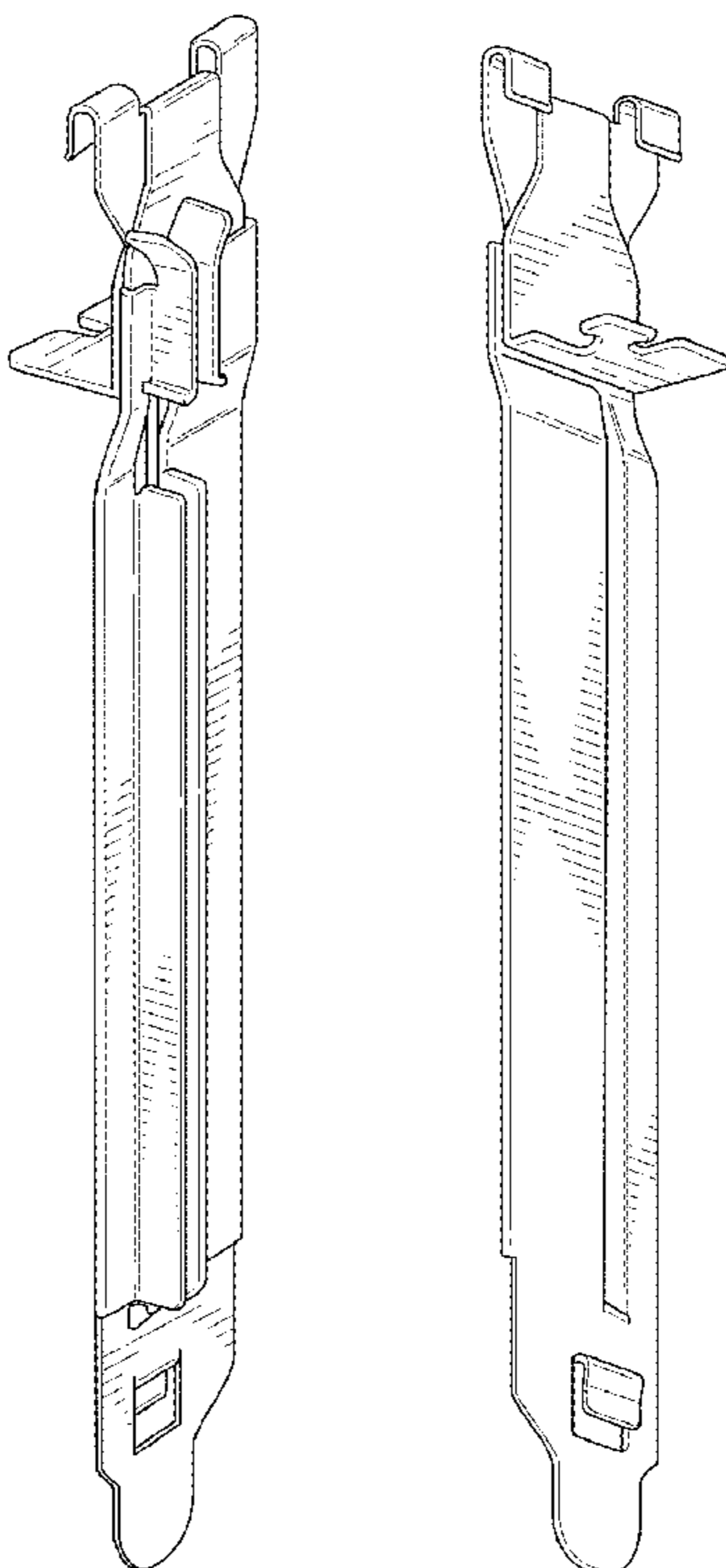
(57) **CLAIM**

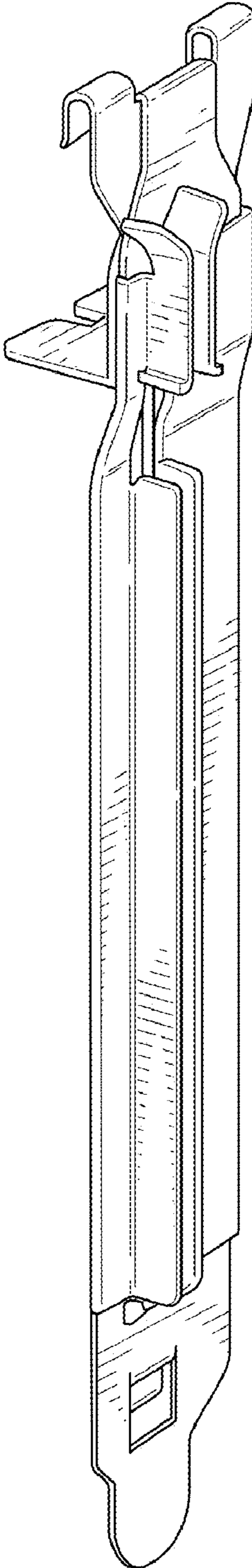
I claim the ornamental design for an expansion slot filler-card guide, as shown and described.

**DESCRIPTION**

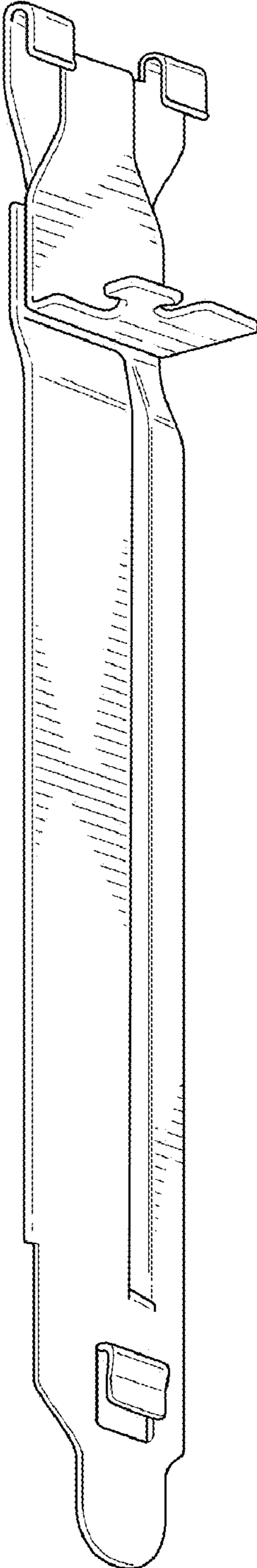
FIG. 1 is a rear perspective view of an expansion slot filler-card guide;  
 FIG. 2 is a front perspective view thereof;  
 FIG. 3 is a rear view thereof;  
 FIG. 4 is a front view thereof;  
 FIG. 5 is a right side view thereof;  
 FIG. 6 is a left side view thereof;  
 FIG. 7 is a top view thereof;  
 FIG. 8 is a bottom view thereof;  
 FIG. 9 is a rear perspective view of the expansion slot filler-card guide filling an expansion slot in a computer chassis; and,  
 FIG. 10 is a rear perspective view of the expansion slot filler-card guide guiding a card within the computer chassis.  
 The dash-dash broken lines in the drawings are environmental lines which do not form part of the claimed design.

**1 Claim, 6 Drawing Sheets**

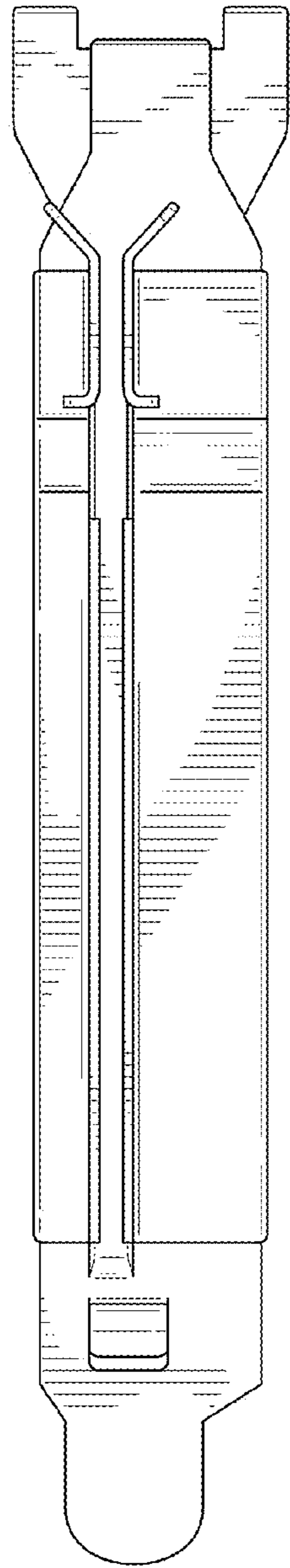




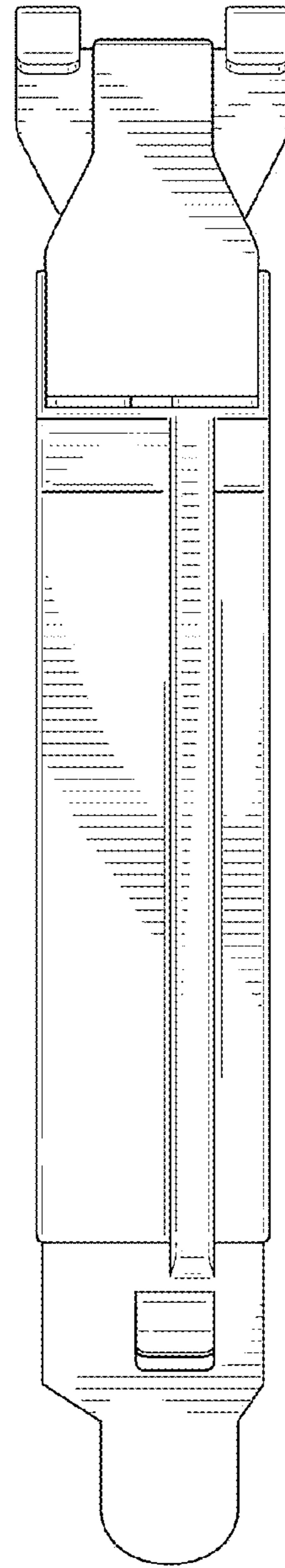
**FIG. 1**



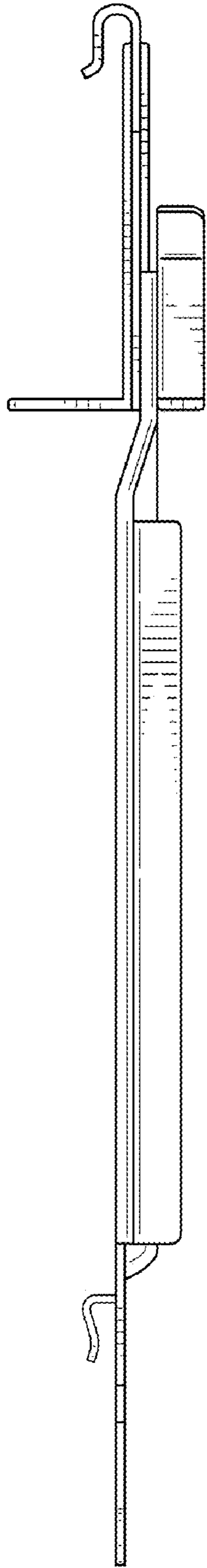
**FIG. 2**



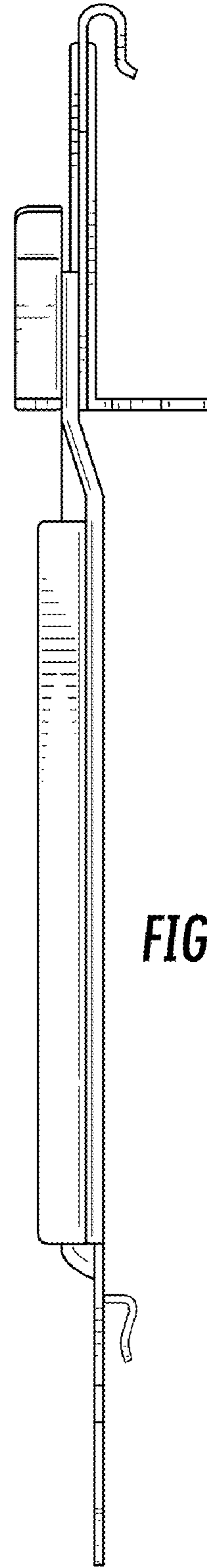
**FIG. 3**



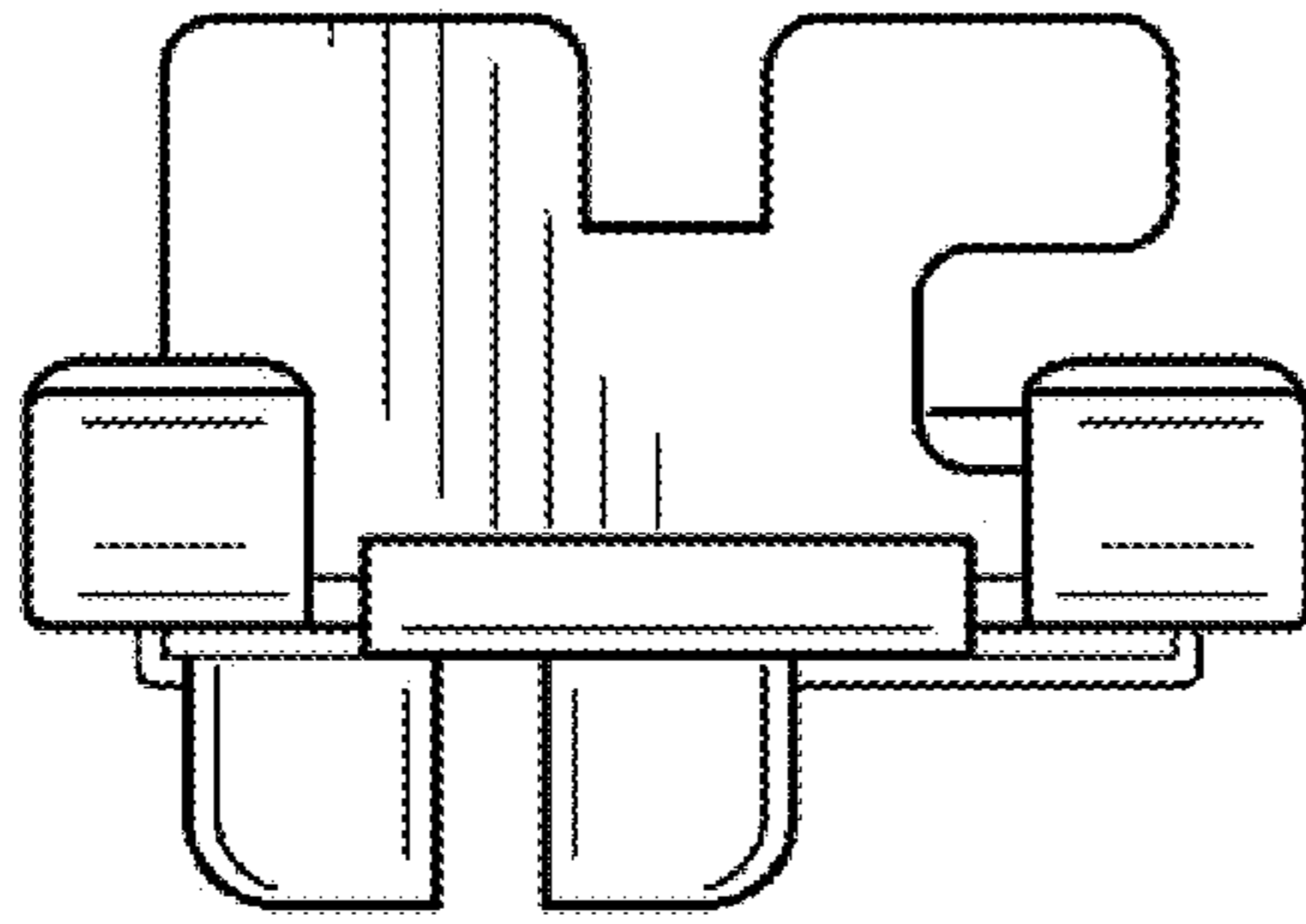
**FIG. 4**



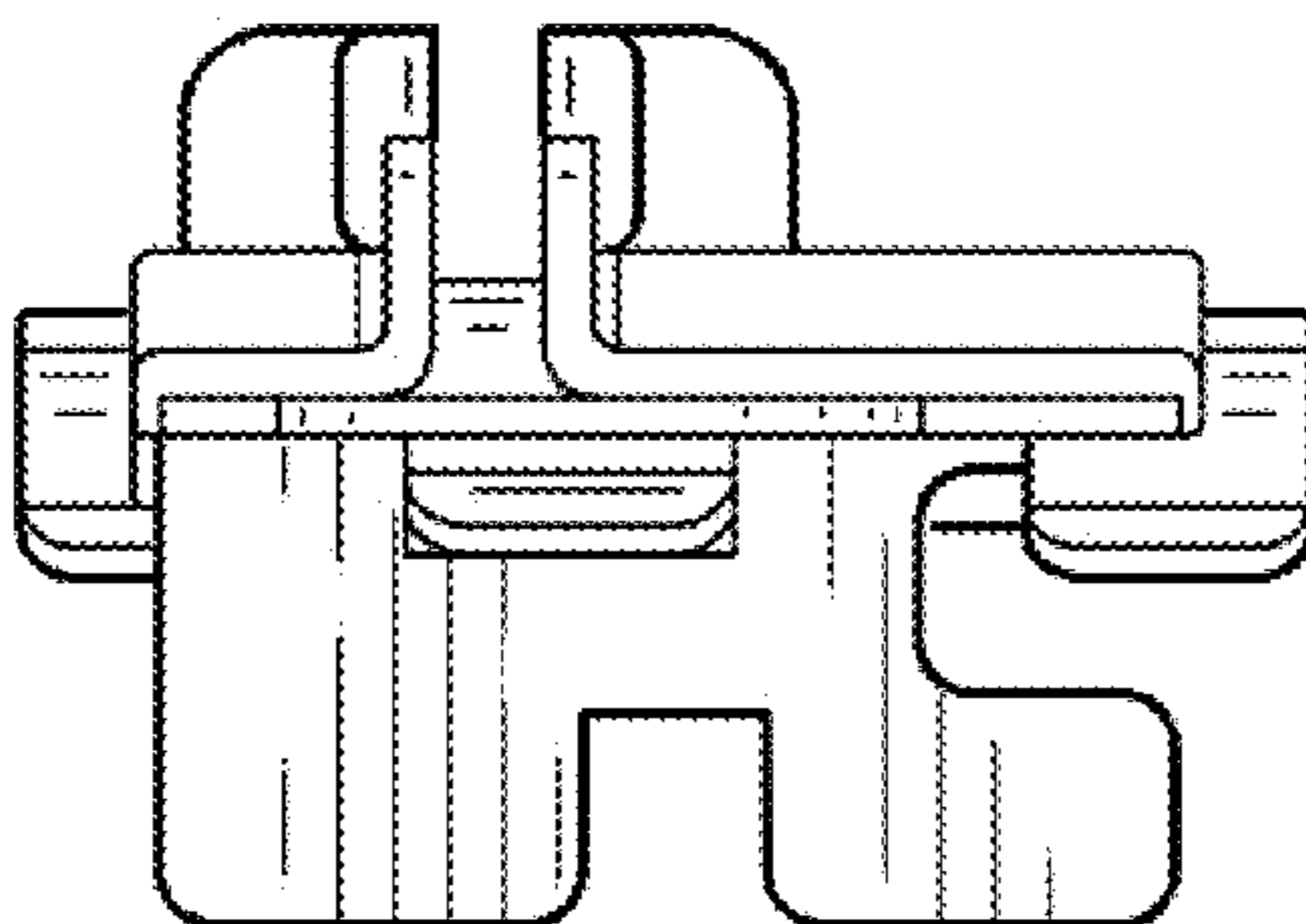
**FIG. 5**



**FIG. 6**



**FIG. 7**



**FIG. 8**



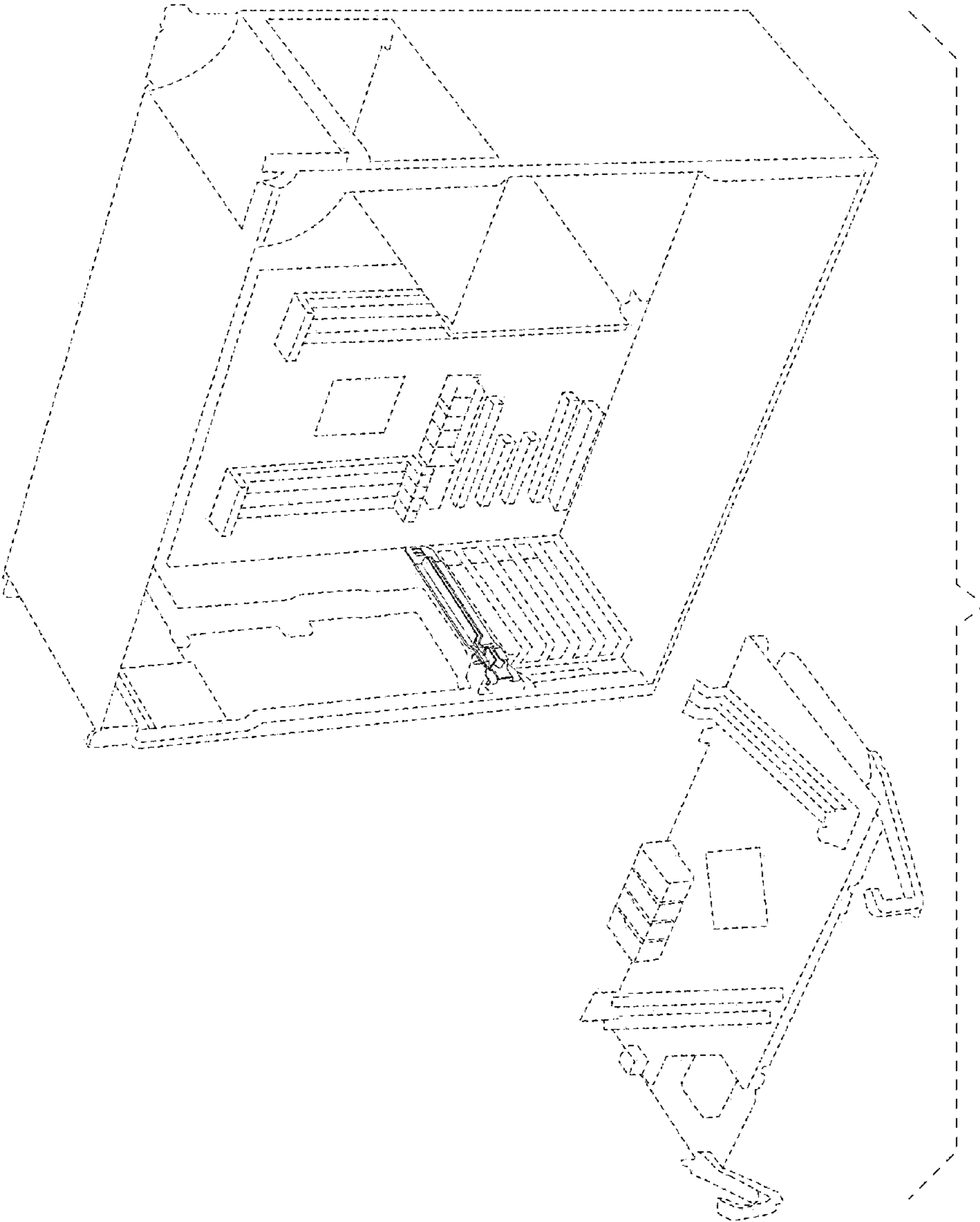


FIG. 9

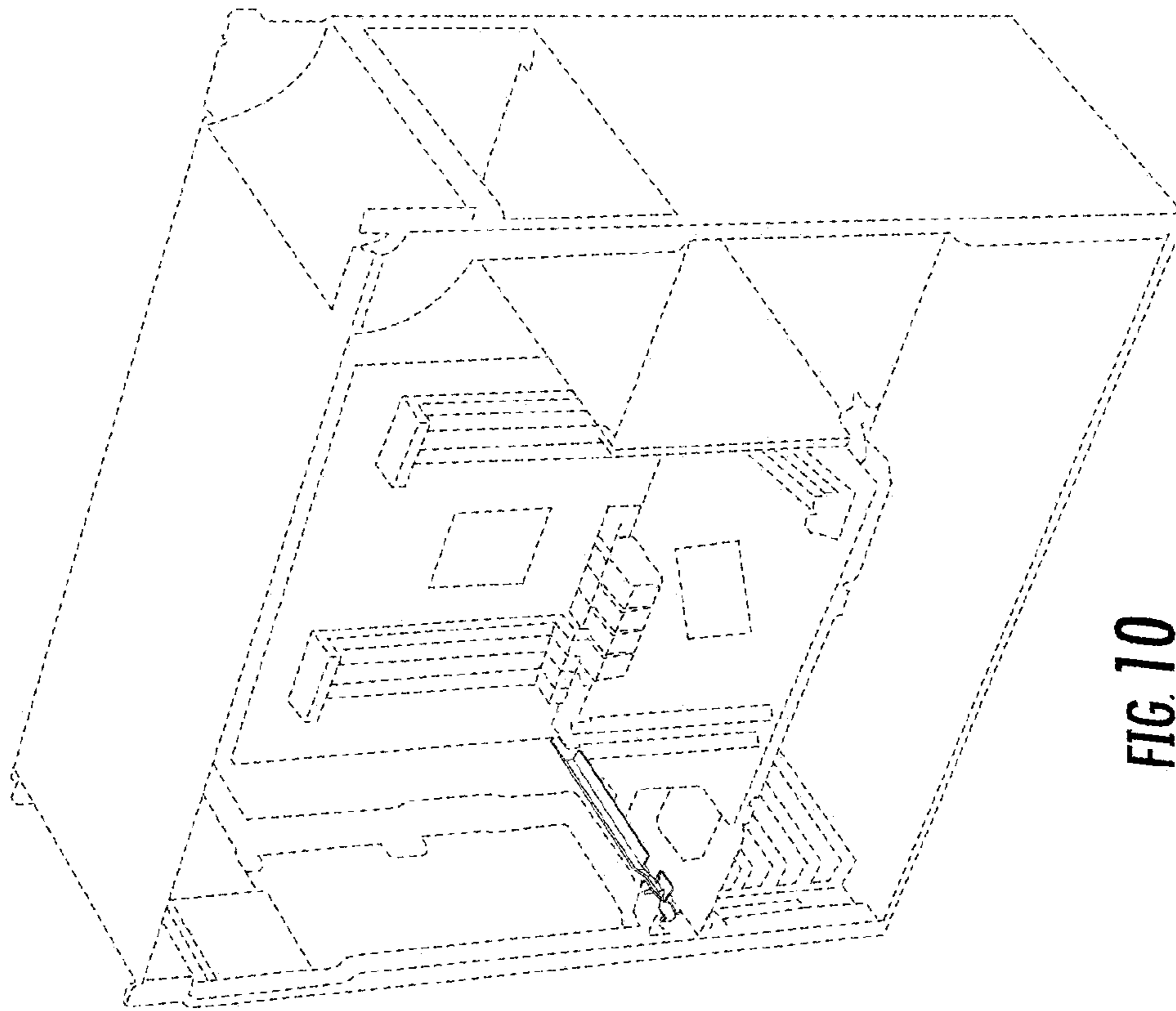


FIG. 10