



US00D678287S

(12) **United States Design Patent**
Hsu et al.

(10) **Patent No.:** **US D678,287 S**
(45) **Date of Patent:** **** Mar. 19, 2013**

(54) **ELECTRONIC DEVICE**

(75) Inventors: **Ming-Fang Hsu**, Taipei (TW);
Ming-Chih Hsieh, Taipei (TW);
Lian-Tien Ke, Taipei (TW)

(73) Assignee: **ASUSTeK Computer Inc.**, Taipei (TW)

(**) Term: **14 Years**

(21) Appl. No.: **29/415,912**

(22) Filed: **Mar. 15, 2012**

(51) **LOC (9) Cl.** **14-02**

(52) **U.S. Cl.** **D14/434**

(58) **Field of Classification Search** D14/432-434,
D14/314, 204, 420, 421, 447, 217, 358, 138 R,
D14/140, 142, 374, 375, 341; D13/107,
D13/108, 146; D8/373; 248/346.03, 176.1;
361/679.41, 679.31, 679.32, 679.4, 679.43,
361/679.55, 679.58, 679.33; 320/109, 112-115;
710/15, 303; 455/557; 439/347, 534
See application file for complete search history.

(56) **References Cited**

U.S. PATENT DOCUMENTS

5,248,264 A * 9/1993 Long et al. 439/347
D344,708 S * 3/1994 Ho D13/108
D445,087 S * 7/2001 Skoger et al. D13/108
6,644,611 B1 * 11/2003 Tai 248/292.13
D575,786 S * 8/2008 Solomon et al. D14/434

D579,917 S * 11/2008 Marchand et al. D14/217
D584,732 S * 1/2009 Cho et al. D14/434
7,708,240 B2 * 5/2010 Homer et al. 248/130

* cited by examiner

Primary Examiner — Freda S Nunn

(74) *Attorney, Agent, or Firm* — Muncy, Geissler, Olds & Lowe, PLLC

(57) **CLAIM**

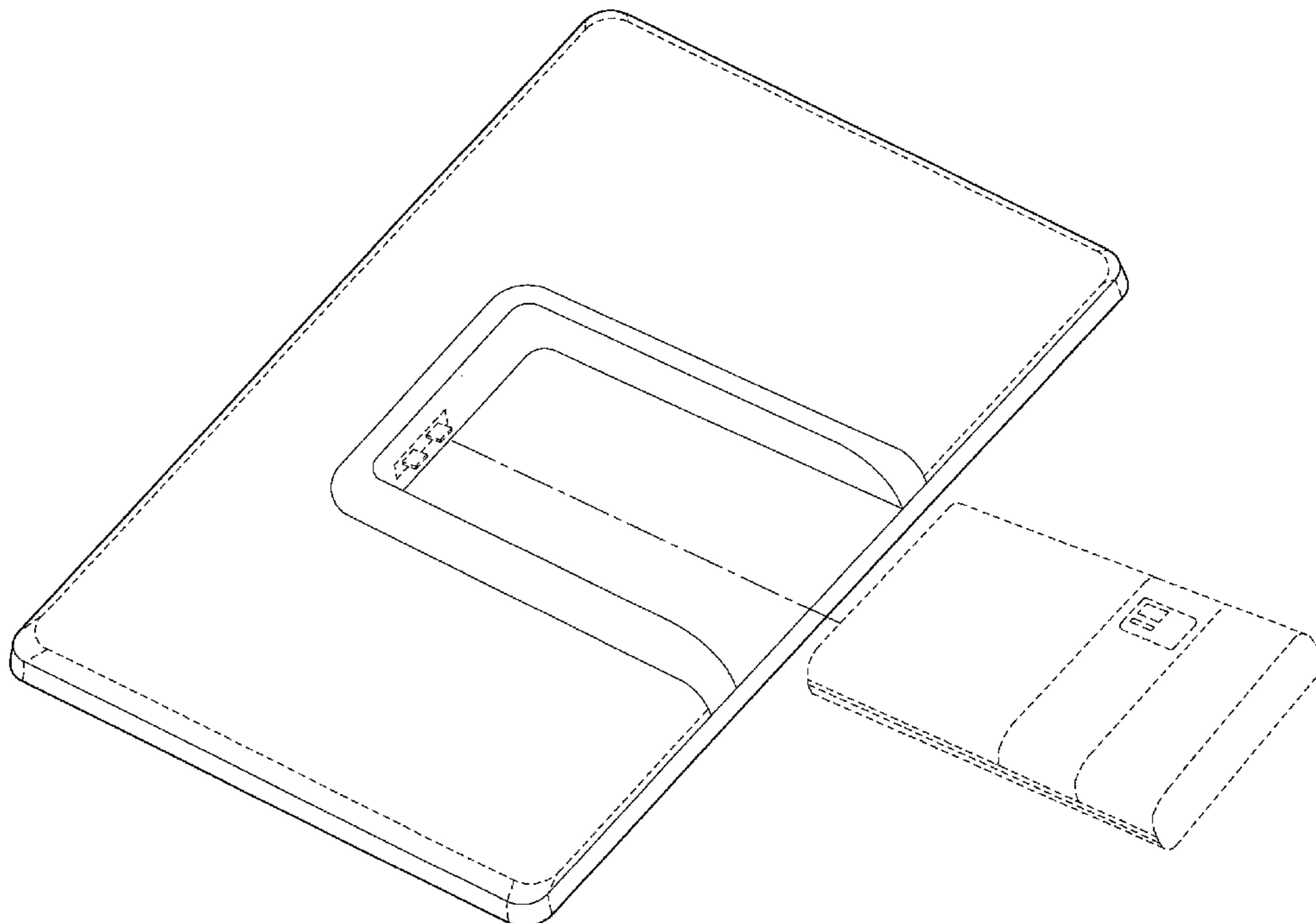
The ornamental design for an electronic device, as shown and described.

DESCRIPTION

FIG. 1 is a perspective view of an electronic device according to our new design;
FIG. 2 is a front elevational view thereof;
FIG. 3 is a back elevational view thereof;
FIG. 4 is a left elevational view thereof;
FIG. 5 is a right elevational view thereof;
FIG. 6 is a top plan view thereof;
FIG. 7 is a bottom plan view thereof;
FIG. 8 is another perspective view thereof wherein a mobile phone is shown in broken lines and ready to be installed into the concave portion of the electronic device; and,
FIG. 9 is another perspective view thereof showing a mobile phone ready to be installed into the electronic device and the electronic device ready to be installed into a keypad docking station.

The broken lines shown in the figures illustrate environmental structures only and form no part of the claimed design.

1 Claim, 7 Drawing Sheets



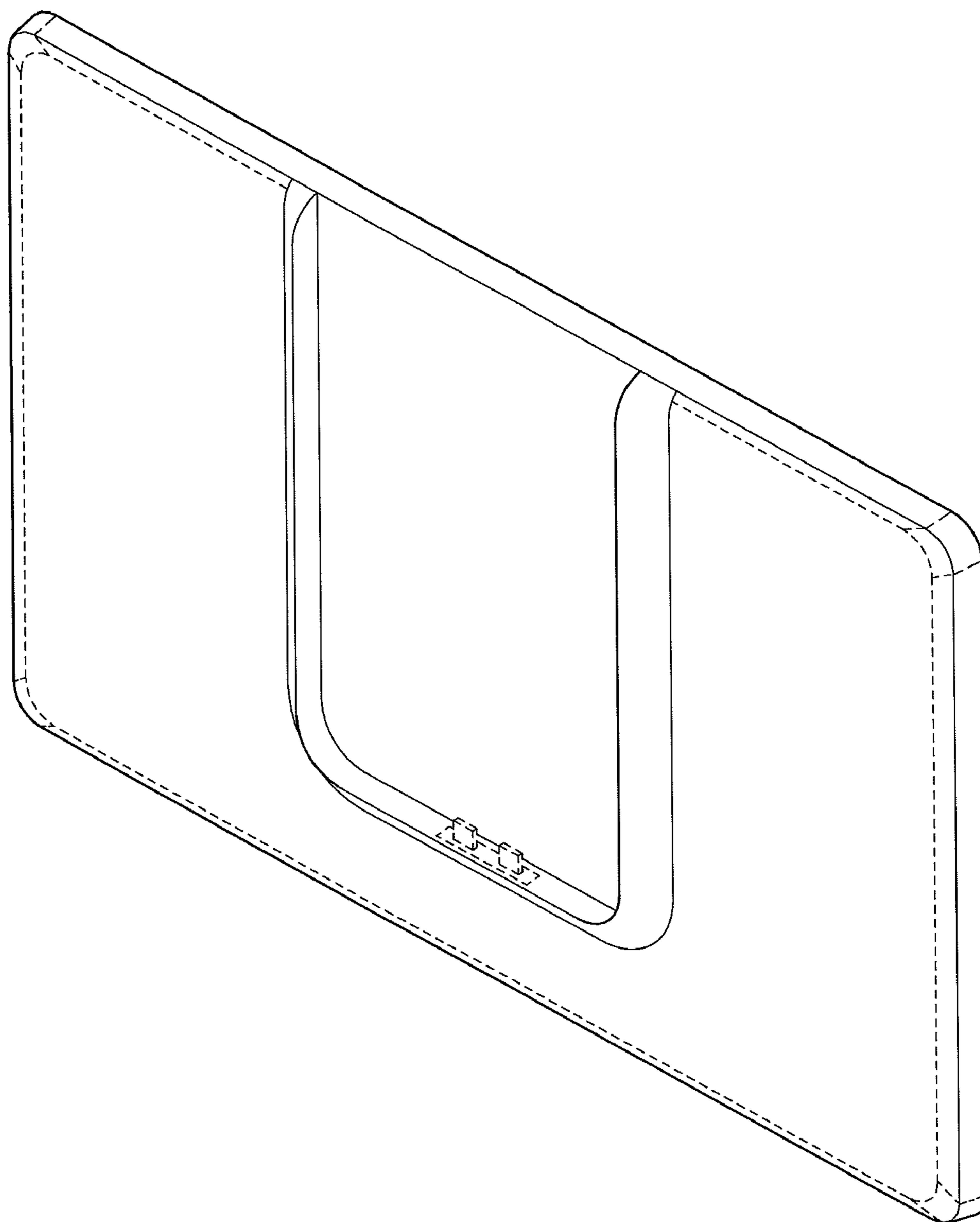


FIG. 1

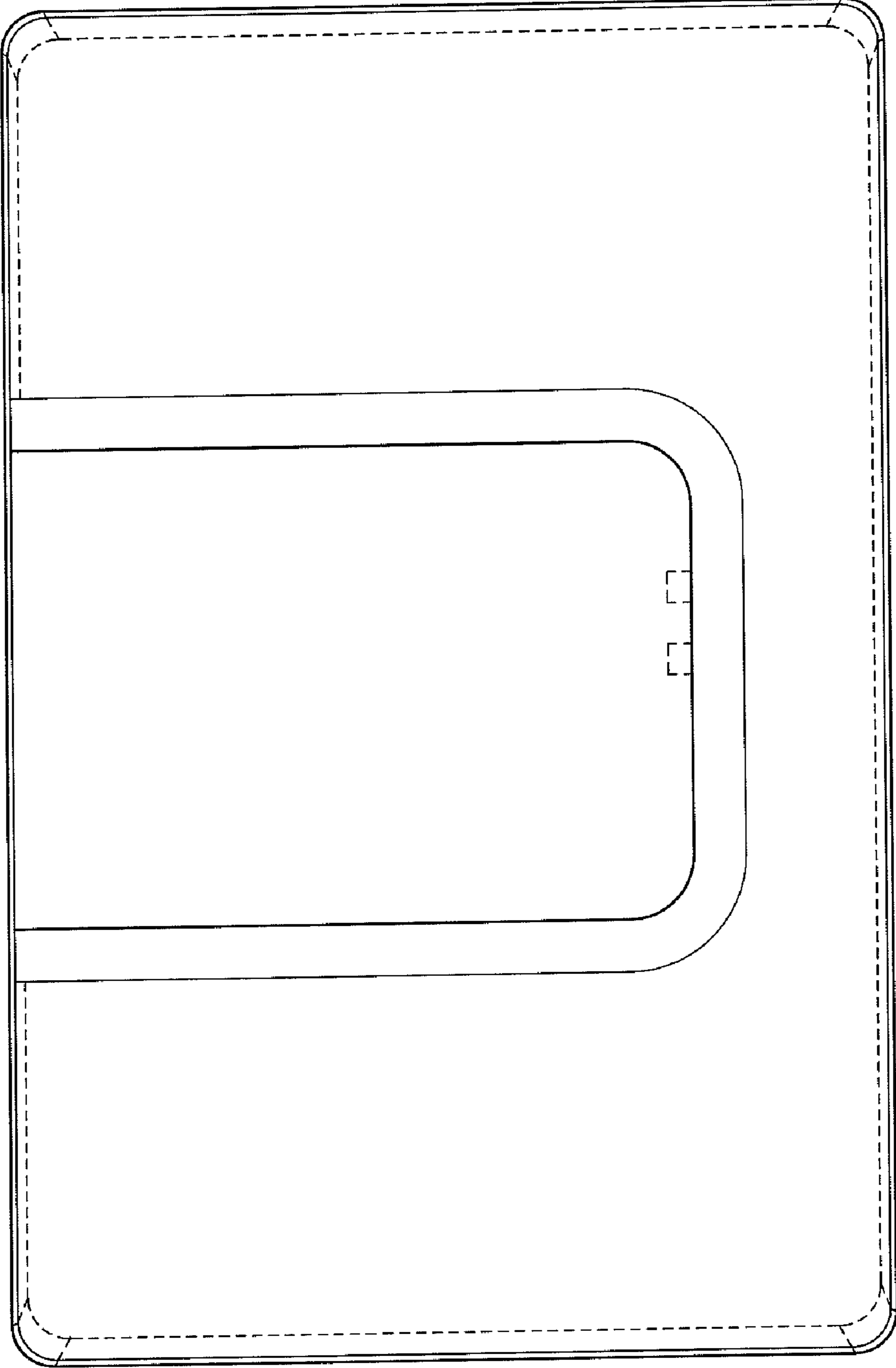


FIG. 2

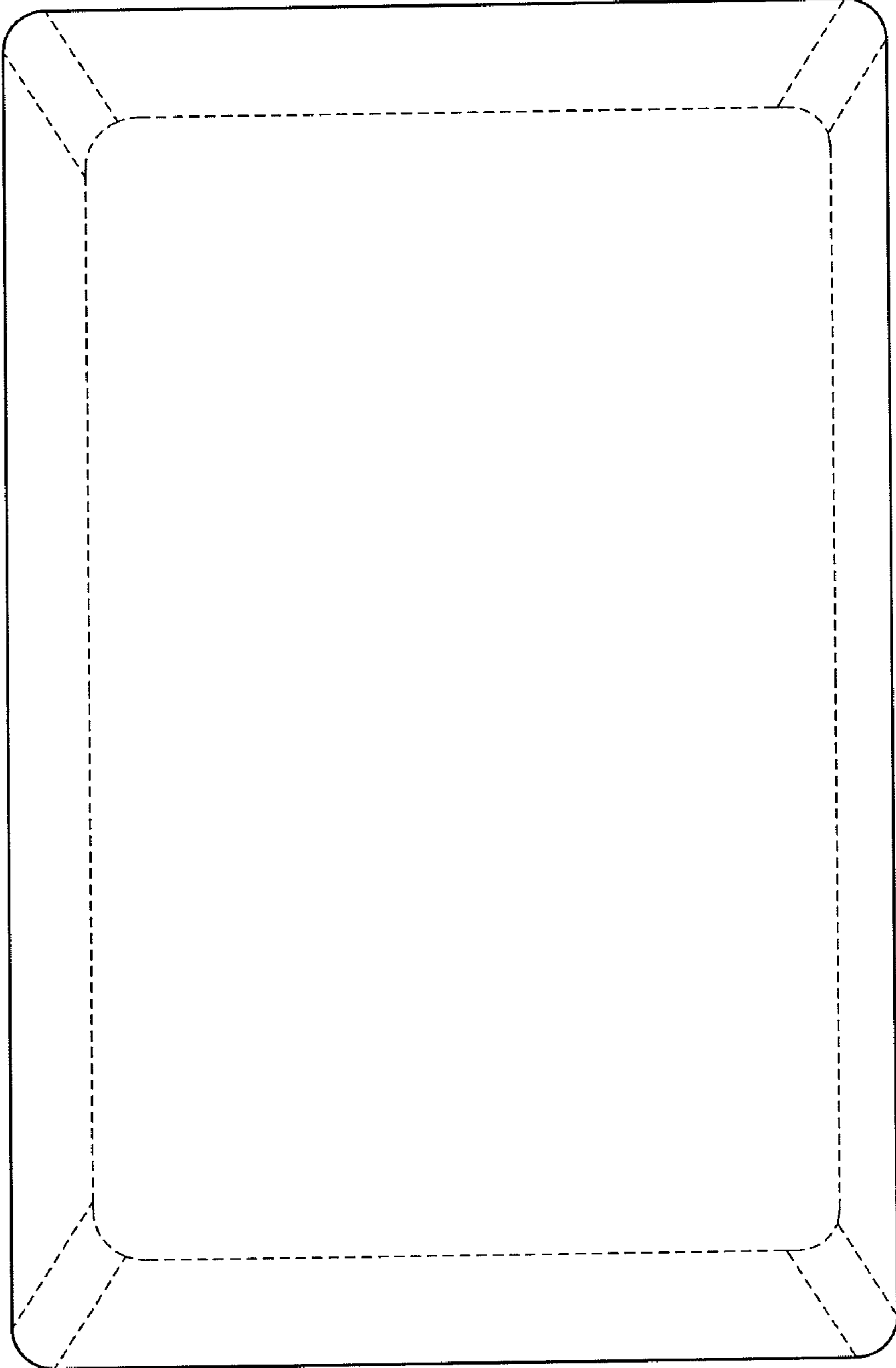


FIG. 3

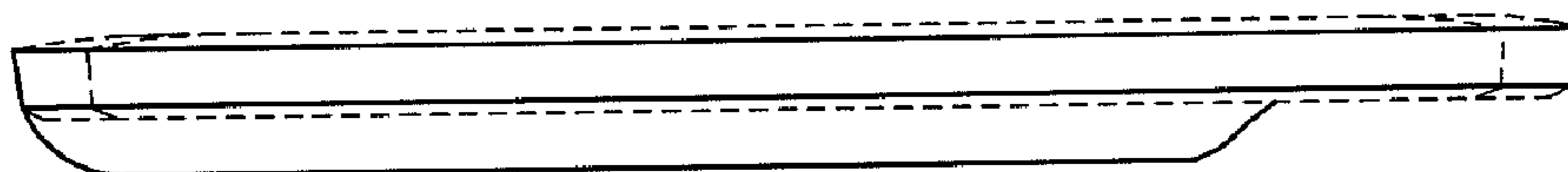


FIG. 5

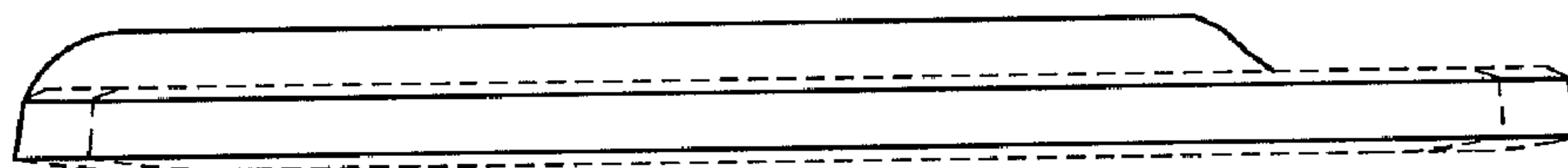


FIG. 4



FIG. 6

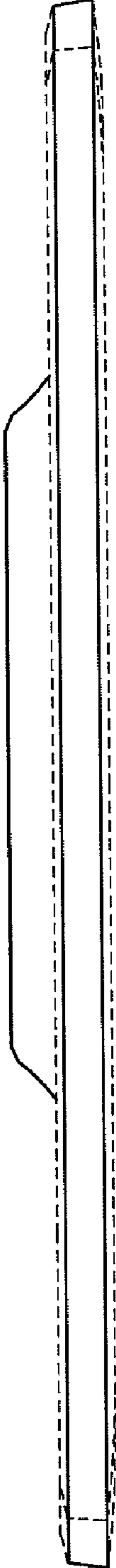


FIG. 7

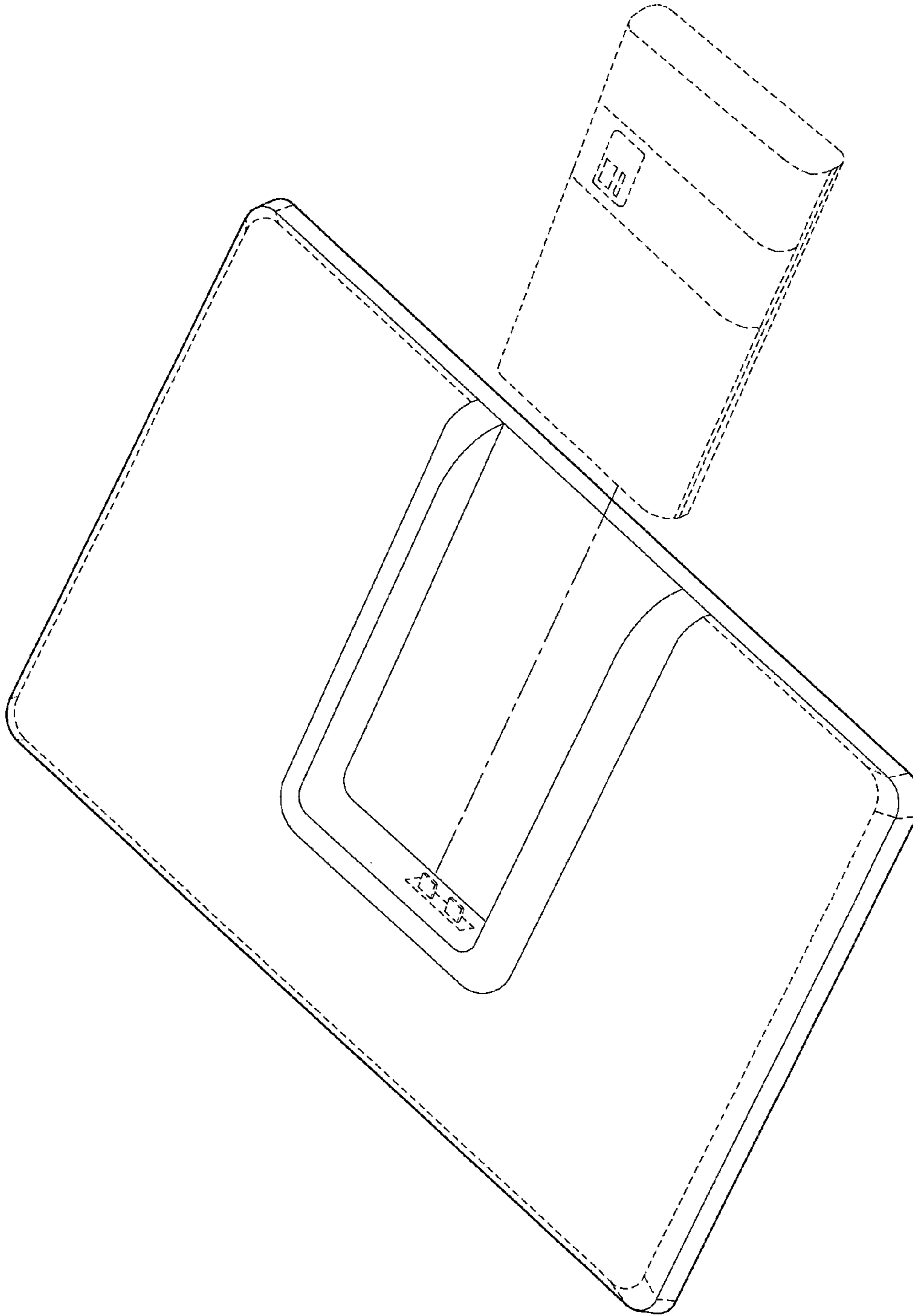


FIG. 8

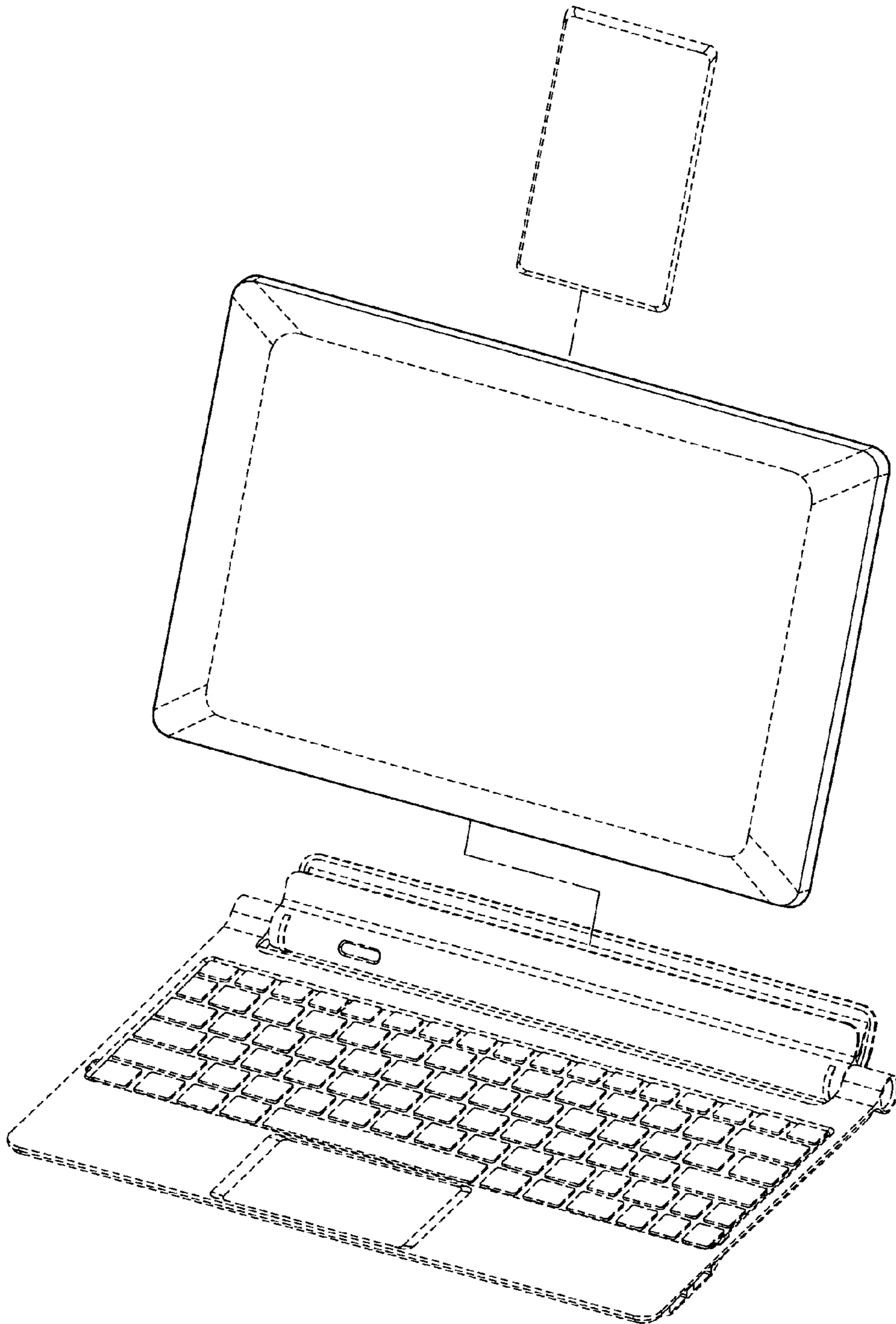


FIG. 9