



US00D678285S

(12) **United States Design Patent**
Chen

(10) **Patent No.:** **US D678,285 S**

(45) **Date of Patent:** **** Mar. 19, 2013**

(54) **USB HUB**

(75) Inventor: **Chih-Chung Chen**, New Taipei (TW)

(73) Assignee: **Cheng Uei Precision Industry Co., Ltd.**, New Taipei (TW)

(**) Term: **14 Years**

(21) Appl. No.: **29/388,734**

(22) Filed: **Mar. 31, 2011**

(51) **LOC (9) Cl.** **14-02**

(52) **U.S. Cl.** **D14/433**

(58) **Field of Classification Search** D14/356,
D14/432-434, 453, 454, 511, 203.8, 209.1,
D14/238.1, 240, 125; 439/638, 928, 105,
439/502; 710/303, 304; 361/679.41, 679.55,
361/679.56; D13/110, 133, 146

See application file for complete search history.

(56) **References Cited**

U.S. PATENT DOCUMENTS

D433,994 S	*	11/2000	Jobs et al.	D13/110
D465,222 S	*	11/2002	Wang	D14/433
D481,392 S	*	10/2003	Dyer et al.	D14/433
D482,653 S	*	11/2003	Cho	D13/110
D484,137 S	*	12/2003	Wikel et al.	D14/433
D513,231 S	*	12/2005	Han et al.	D13/147
D516,031 S	*	2/2006	Han et al.	D13/147
D519,454 S	*	4/2006	Christianson	D13/133
D519,504 S	*	4/2006	Tagliabue et al.	D14/356

D542,786 S	*	5/2007	Karlsson et al.	D14/302
D550,614 S	*	9/2007	Fee et al.	D13/107
D568,304 S	*	5/2008	Park	D14/240
D578,128 S	*	10/2008	Lee et al.	D14/433
D591,678 S	*	5/2009	Whitley et al.	D13/133
D601,150 S	*	9/2009	Romero	D14/433
D626,963 S	*	11/2010	Kim	D14/420
D645,818 S	*	9/2011	Guccione et al.	D13/108
D659,093 S	*	5/2012	Schmid et al.	D13/108
2004/0001322 A1	*	1/2004	Cho	361/752

* cited by examiner

Primary Examiner — Austin Murphy

(74) *Attorney, Agent, or Firm* — Cheng-Ju Chiang

(57) **CLAIM**

The ornamental design for a USB hub, as shown and described.

DESCRIPTION

FIG. 1 is a perspective view of a USB hub showing my new design;

FIG. 2 is a front elevational view thereof;

FIG. 3 is a rear elevational view thereof;

FIG. 4 is a left side elevational view thereof;

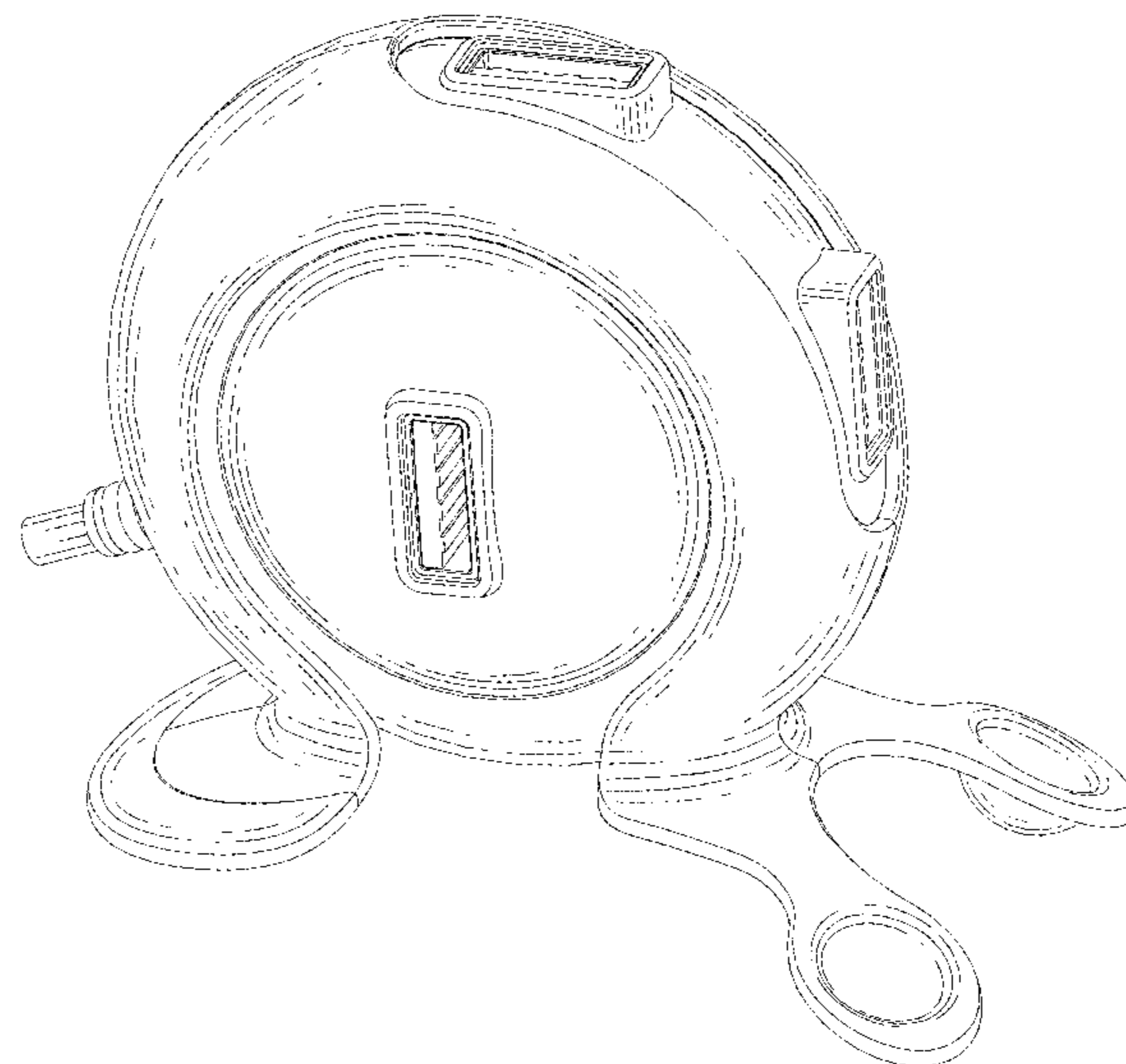
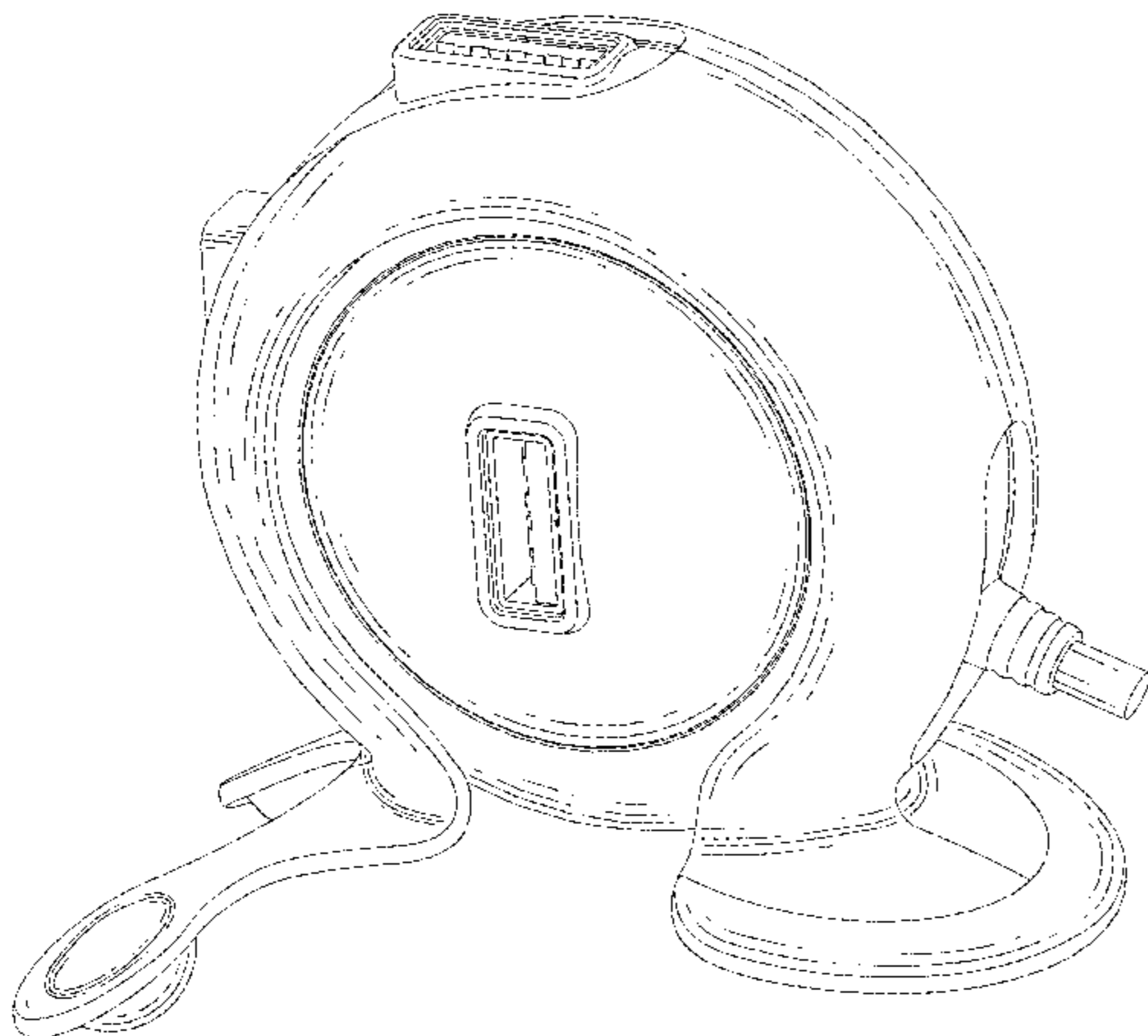
FIG. 5 is a right side elevational view thereof;

FIG. 6 is a top plan view thereof;

FIG. 7 is a bottom plan view thereof; and,

FIG. 8 is another perspective view of the USB hub showing my new design.

1 Claim, 8 Drawing Sheets



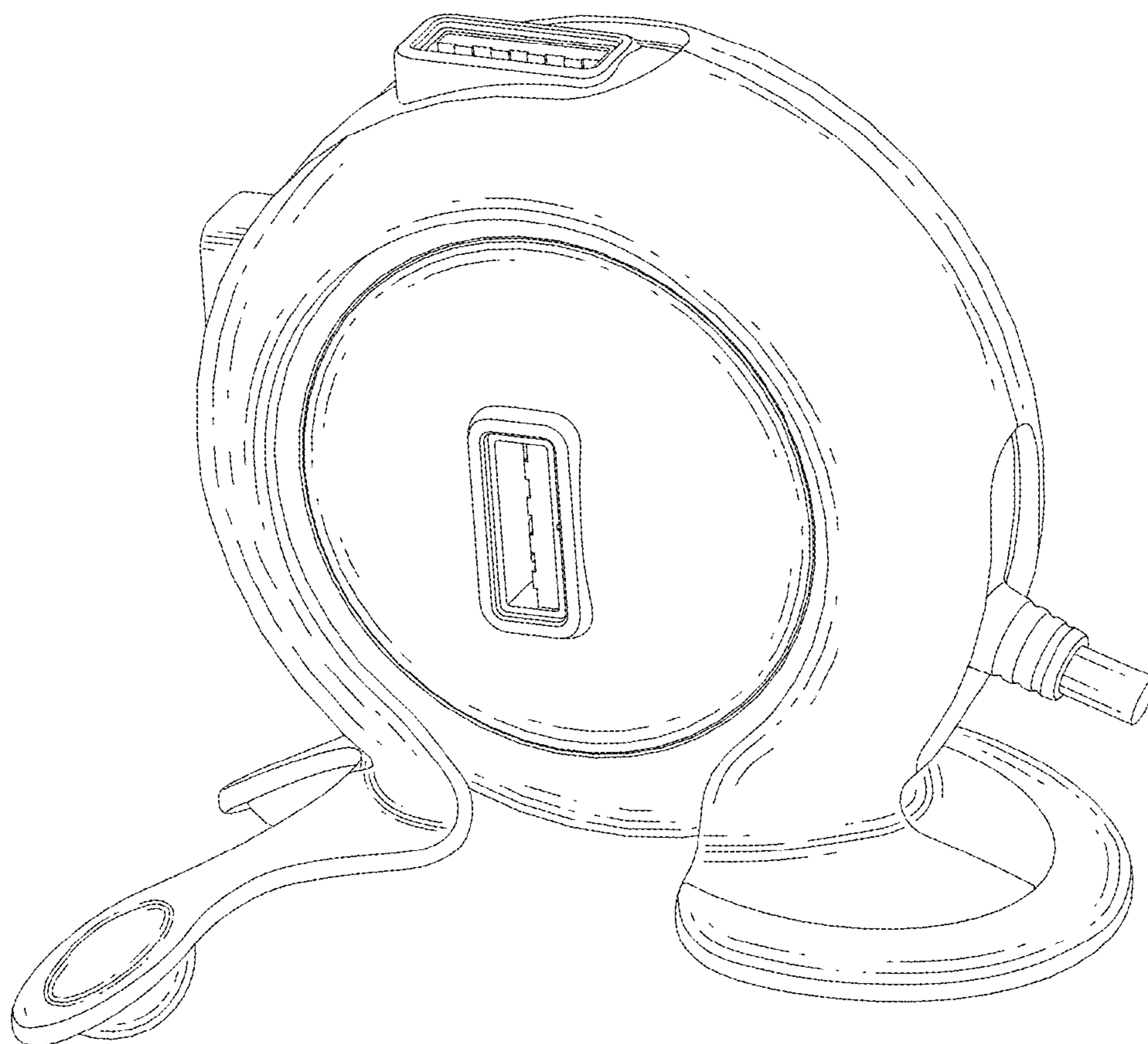


FIG. 1

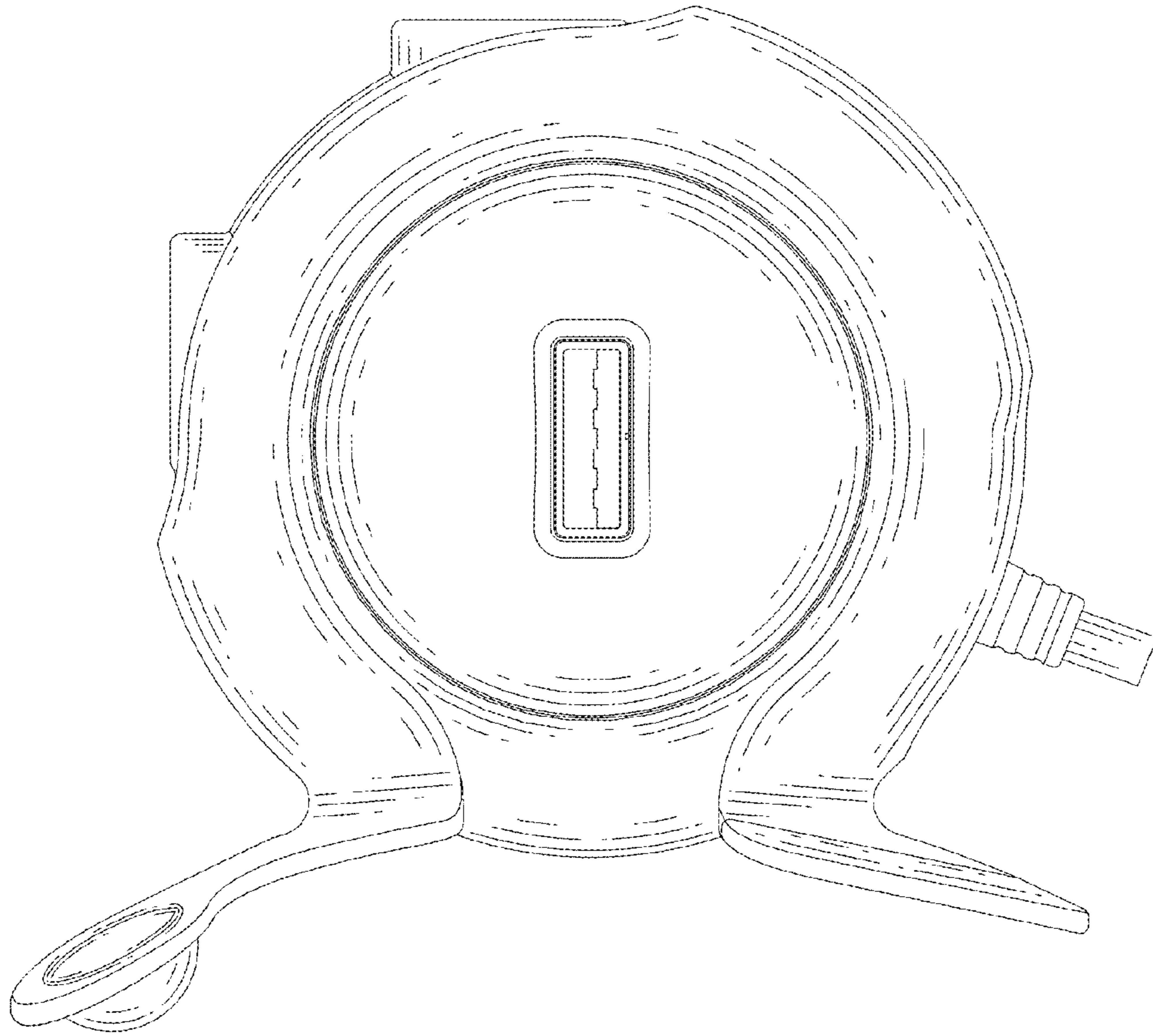


FIG. 2

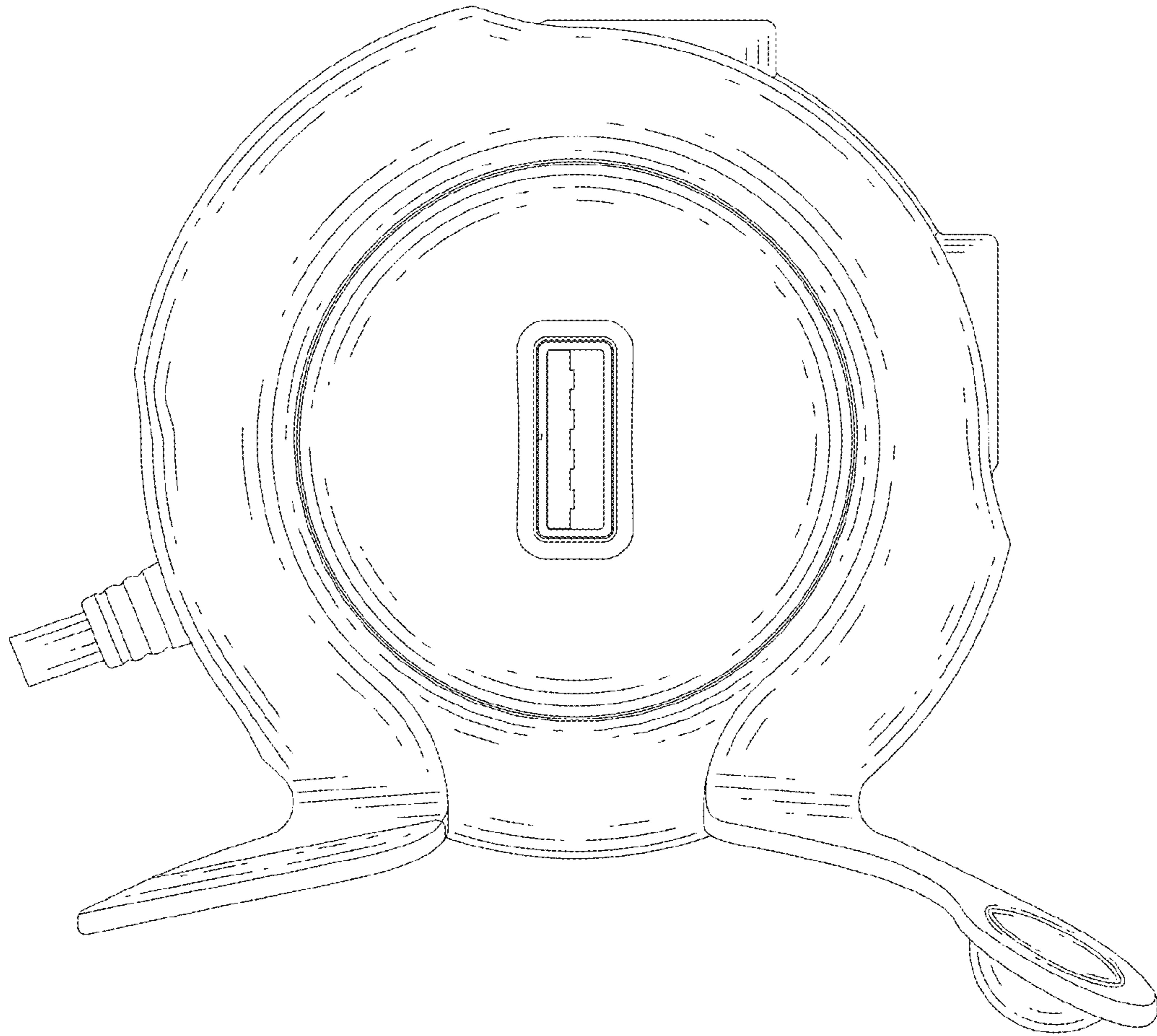


FIG. 3

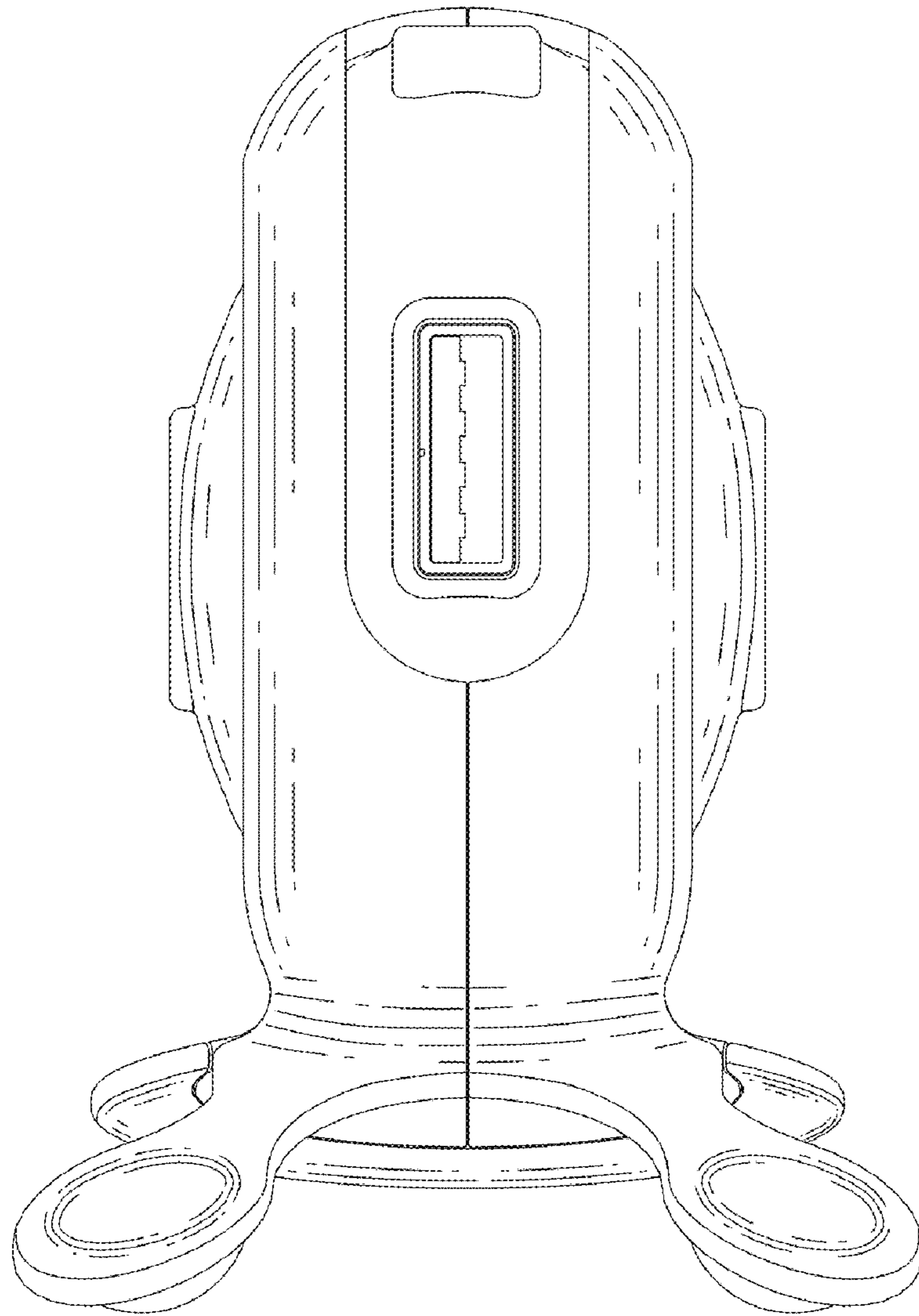


FIG. 4

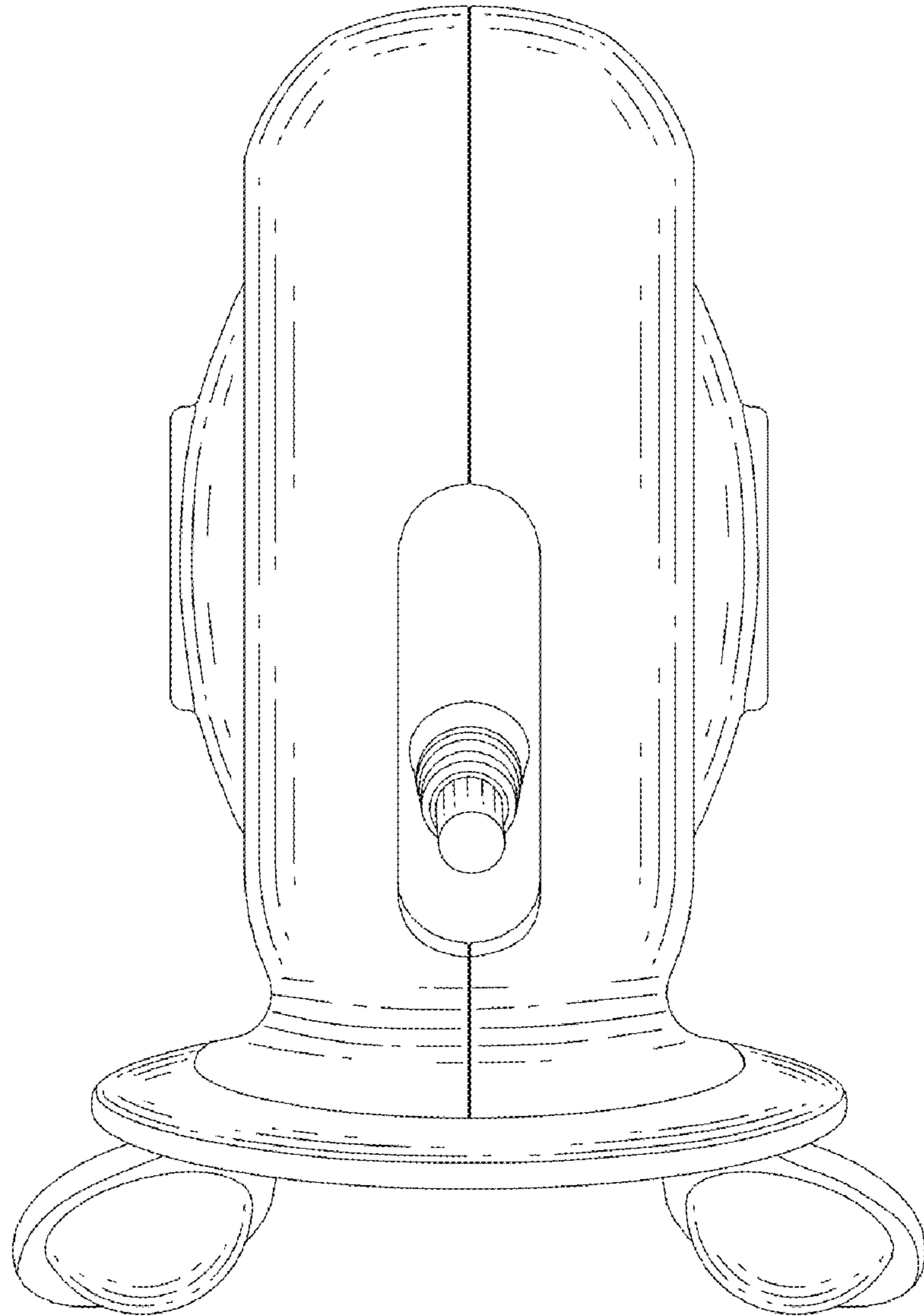


FIG. 5

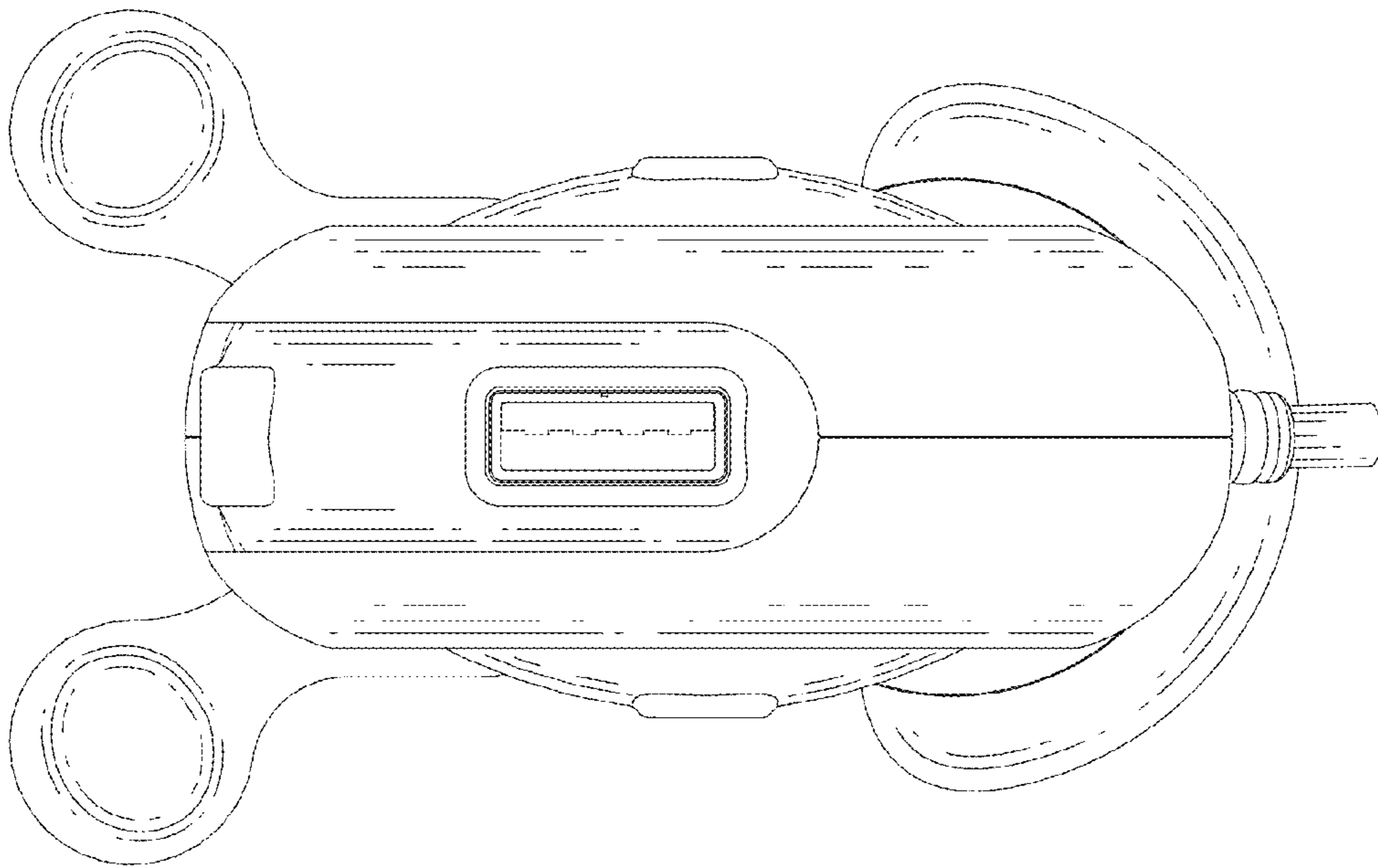


FIG. 6

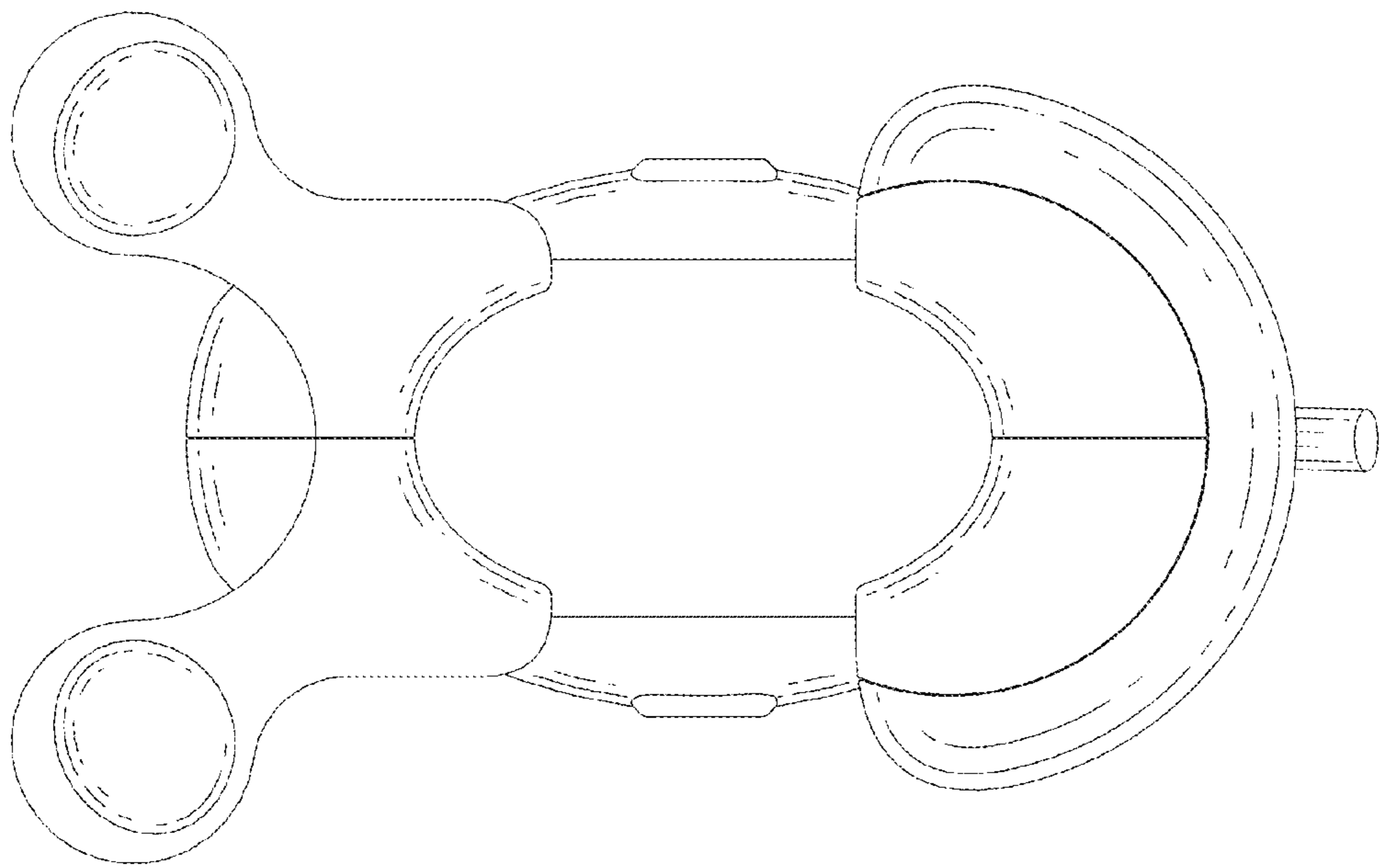


FIG. 7

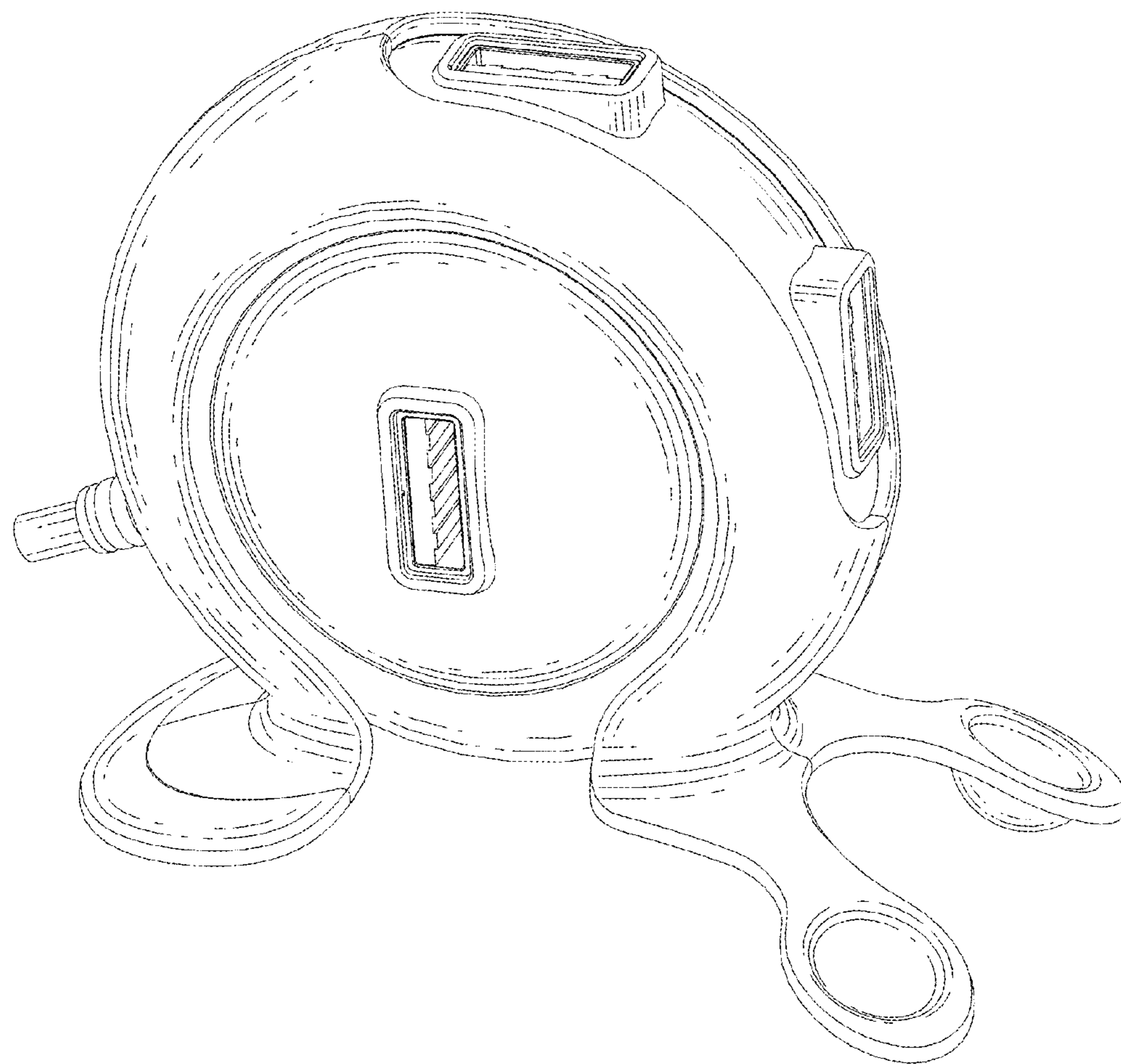


FIG. 8